



US00D546997S

(12) **United States Design Patent**  
**Monroe et al.**

(10) **Patent No.:** **US D546,997 S**  
(45) **Date of Patent:** **\*\* Jul. 17, 2007**

(54) **COMBINED MOTION DETECTOR AND FLOOD LIGHT**

(75) Inventors: **Tim Monroe**, Fairfield, CA (US); **John H. Wandrey**, Long Beach, CA (US)

(73) Assignee: **Jimway, Inc.**, Rancho Dominguez, CA (US)

(\*\*) Term: **14 Years**

(21) Appl. No.: **29/245,461**

(22) Filed: **Dec. 22, 2005**

**Related U.S. Application Data**

(63) Continuation-in-part of application No. 29/189,826, filed on Sep. 11, 2003, now Pat. No. Des. 517,714.

(51) **LOC (8) Cl.** ..... **26-05**

(52) **U.S. Cl.** ..... **D26/65; D26/51**

(58) **Field of Classification Search** ..... D26/24, D26/61, 63, 65, 51; D10/106; 362/269, 362/285, 287, 370, 372, 427, 418, 430  
See application file for complete search history.

(56) **References Cited**

**U.S. PATENT DOCUMENTS**

D264,253 S 5/1982 Goldschmidt et al.

(Continued)

*Primary Examiner*—Clare E Heflin

(74) *Attorney, Agent, or Firm*—Paul Y. Feng; Fulwider Patton LLP

(57) **CLAIM**

The ornamental design for a combined motion detector and flood light, as shown and described.

**DESCRIPTION**

FIG. 1 is a front elevational view of a first embodiment of our combined motion detector and flood light showing our new design;

FIG. 2 is a top plan view;

FIG. 3 is a bottom view;

FIG. 4 is a right side elevational view;

FIG. 5 is a left side elevational view;

FIG. 6 is an upper front perspective view;

FIG. 7 is a lower front perspective view;

FIG. 8 is an enlarged rear elevational view of the back plate, the motion detector and flood lights being omitted for illustrative purposes only;

FIG. 9 is a front elevational view of a second embodiment of our combined motion detector and flood light showing our new design;

FIG. 10 is a top plan view;

FIG. 11 is a bottom view;

FIG. 12 is a right side elevational view;

FIG. 13 is a left side elevational view;

FIG. 14 is an upper front perspective view;

FIG. 15 is a lower front perspective view;

FIG. 16 is an enlarged rear elevational view of the back plate, the motion detector and flood lights being omitted for illustrative purposes only;

FIG. 17 is a front elevational view of a third embodiment of our combined motion detector and flood light showing our new design;

FIG. 18 is a top plan view;

FIG. 19 is a bottom view;

FIG. 20 is a right side elevational view;

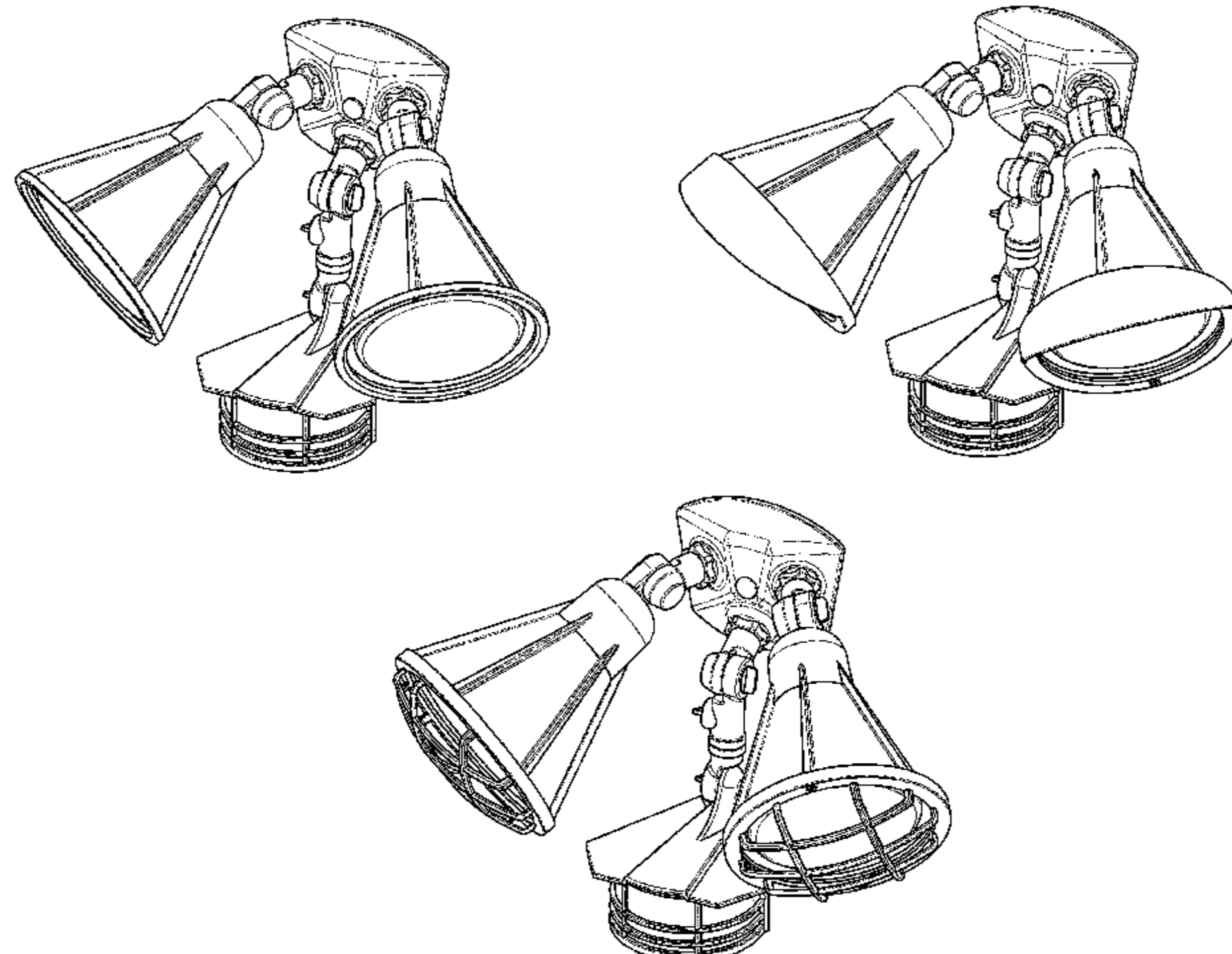
FIG. 21 is a left side elevational view;

FIG. 22 is an upper front perspective view;

FIG. 23 is a lower front perspective view; and,

FIG. 24 is an enlarged rear elevational view of the back plate, the motion detector and flood lights being omitted for illustrative purposes only.

**1 Claim, 24 Drawing Sheets**



# US D546,997 S

Page 2

---

## U.S. PATENT DOCUMENTS

D323,405 S	1/1992	Kin	D392,406 S	3/1998	Morrow et al.
5,211,473 A	5/1993	Gordin et al.	D399,322 S	10/1998	Lin
D360,960 S	8/1995	Wedell et al.	D408,938 S	4/1999	Miyatake
5,649,761 A	7/1997	Sandell et al.	D424,727 S	5/2000	Greubel
5,651,606 A	7/1997	Krogman	D424,731 S	5/2000	Landefeld
			D434,165 S	11/2000	Hiller et al.
			D438,998 S	3/2001	Finke et al.

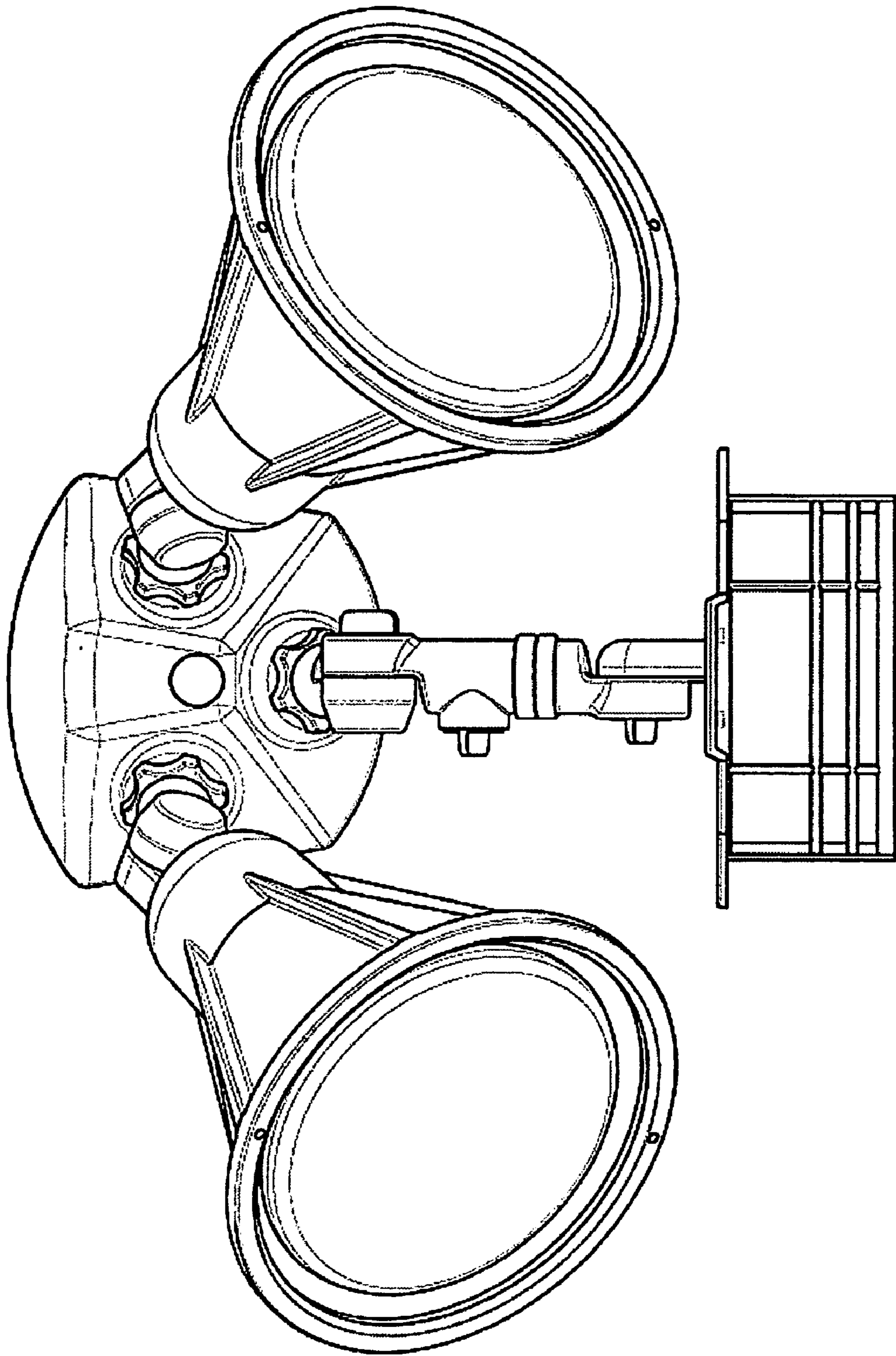


FIG. 1

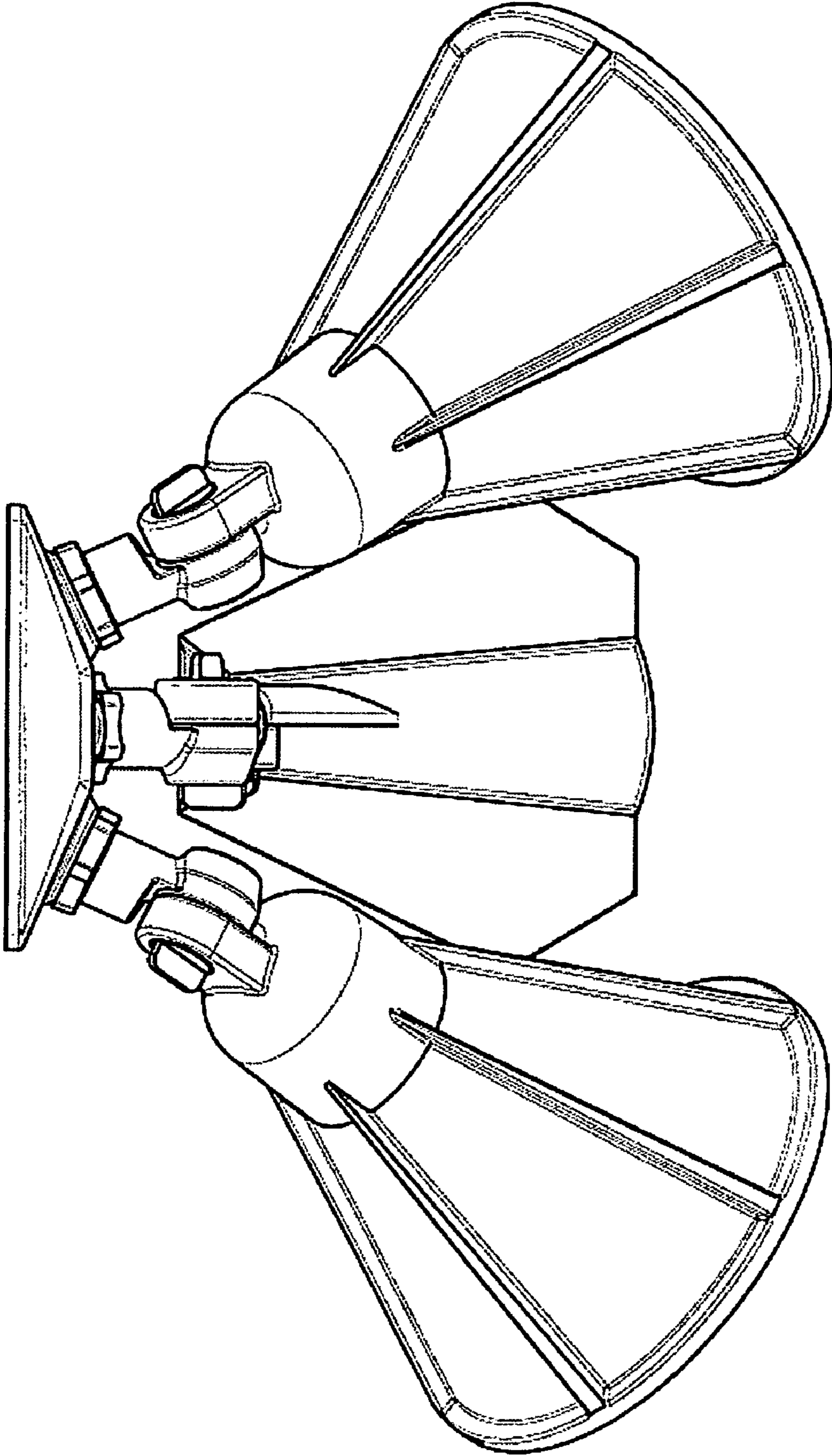


FIG. 2

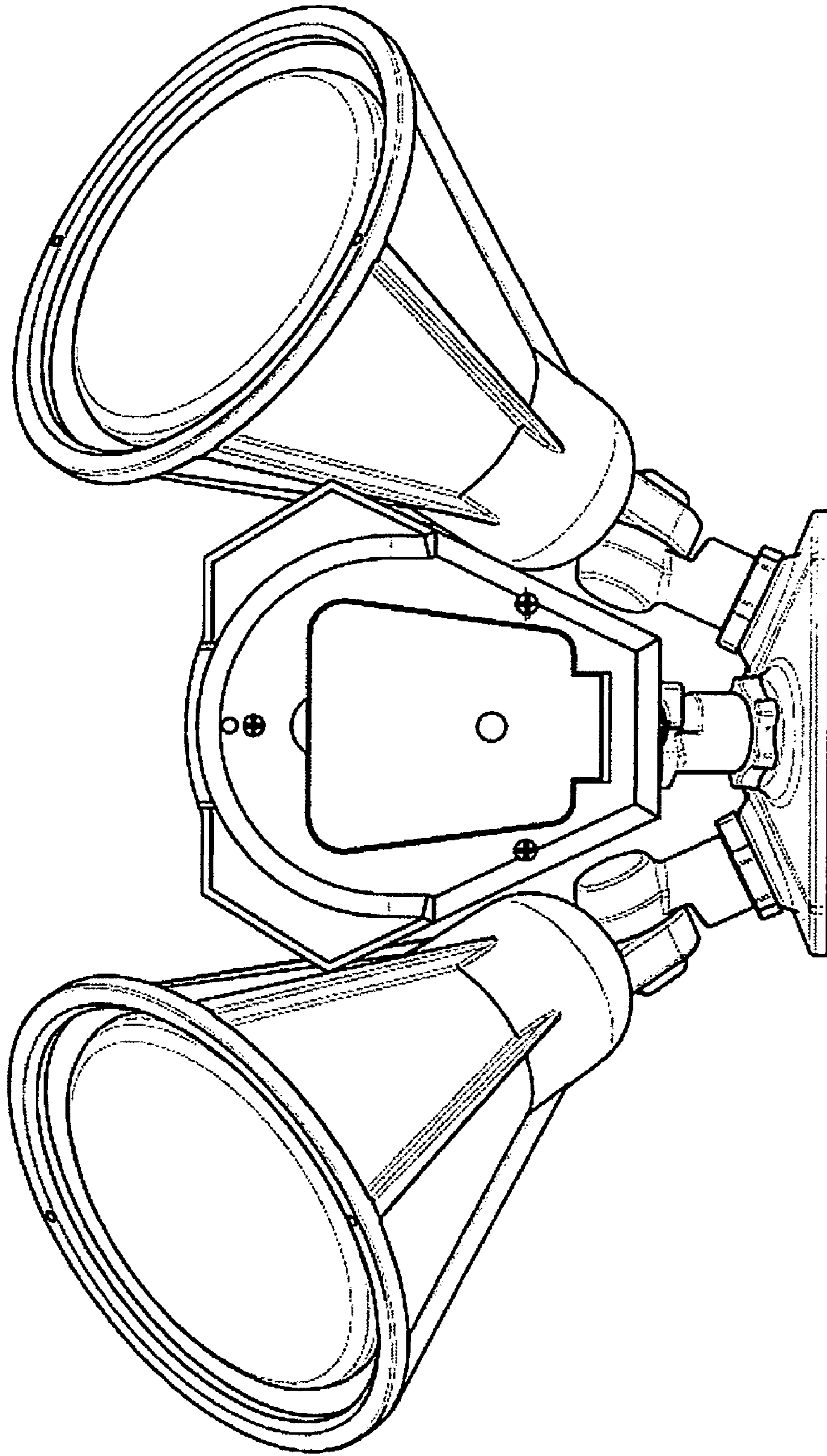


FIG. 3

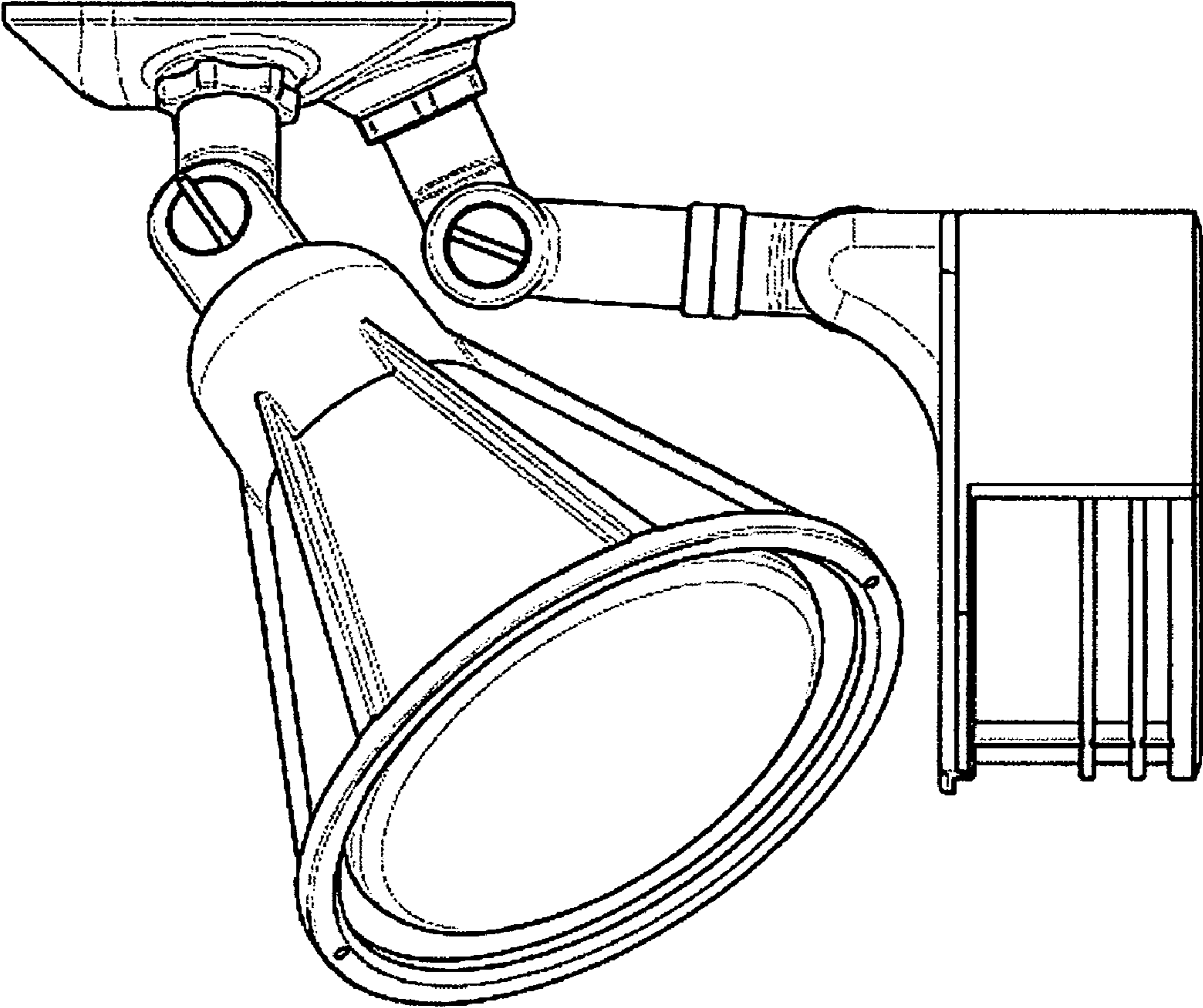


FIG. 4

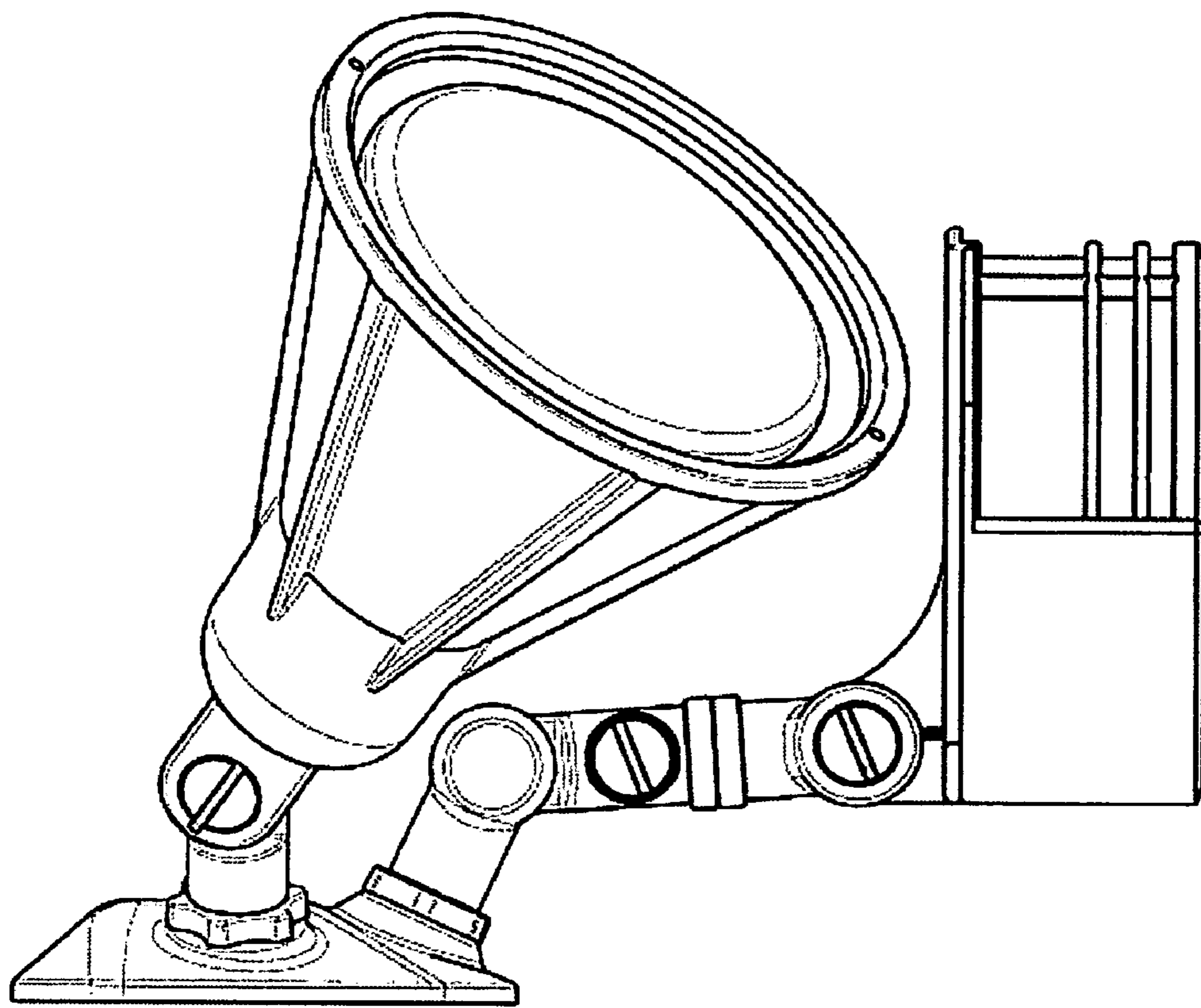


FIG. 5

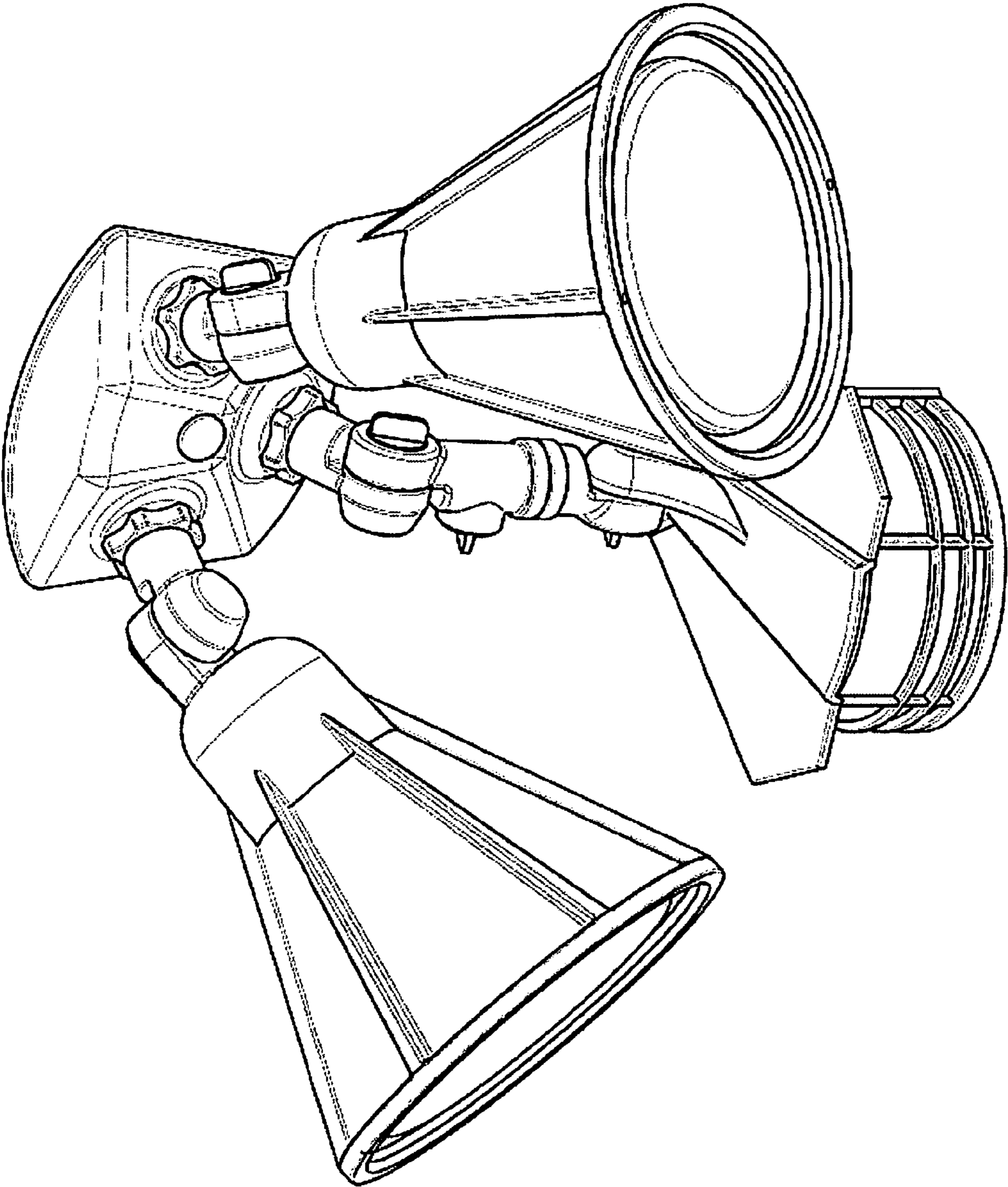


FIG. 6



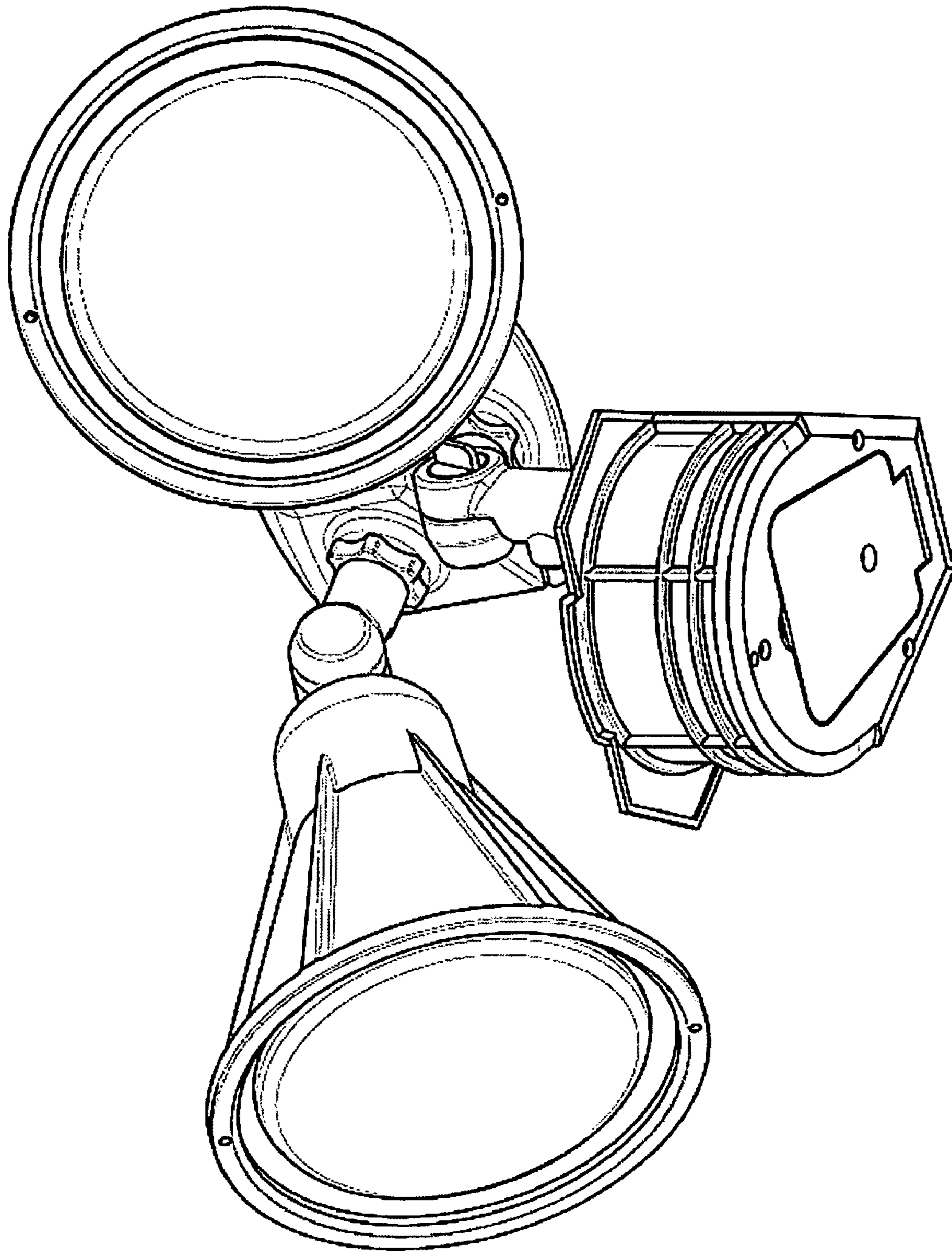


FIG. 7

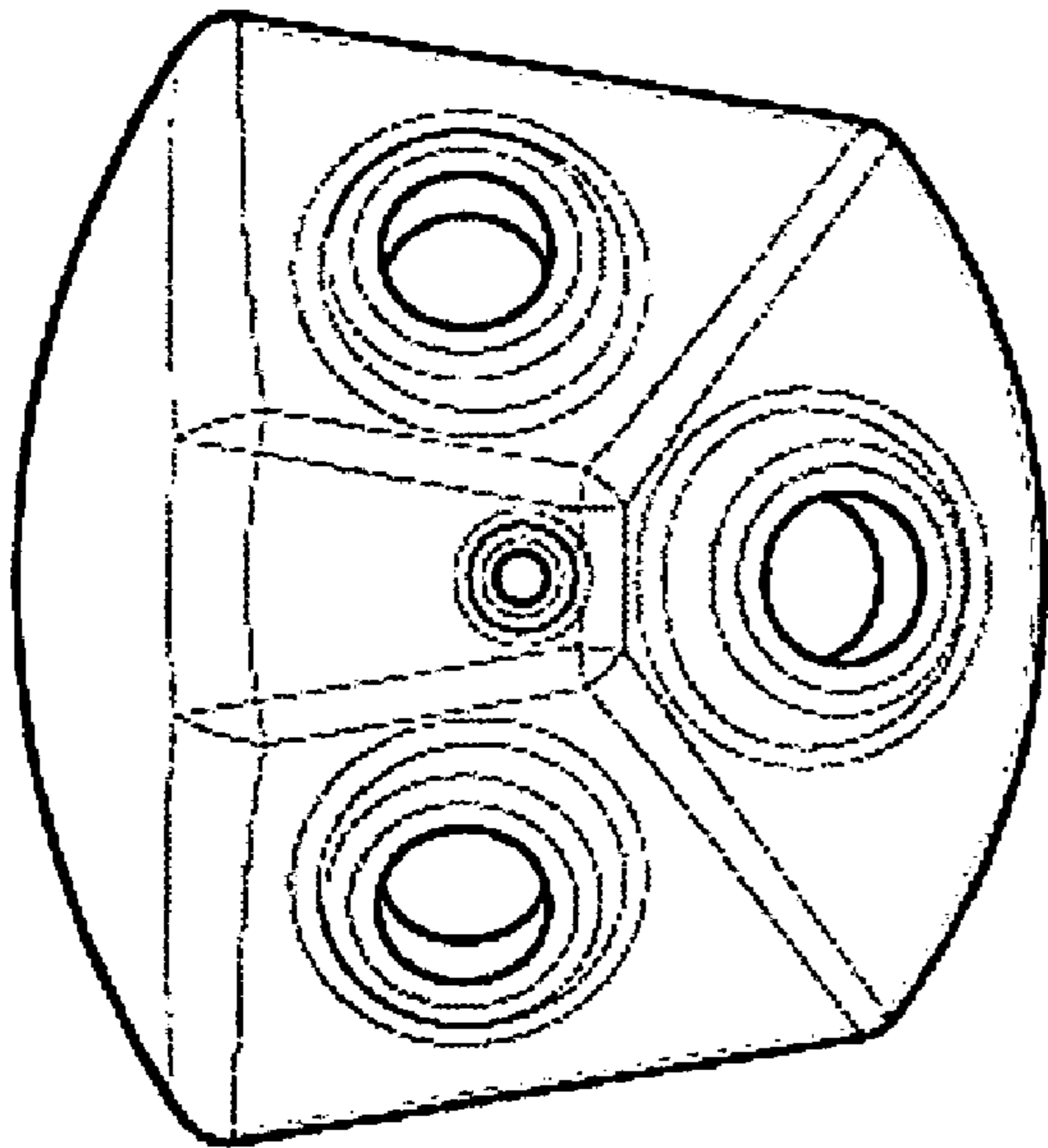


FIG. 8

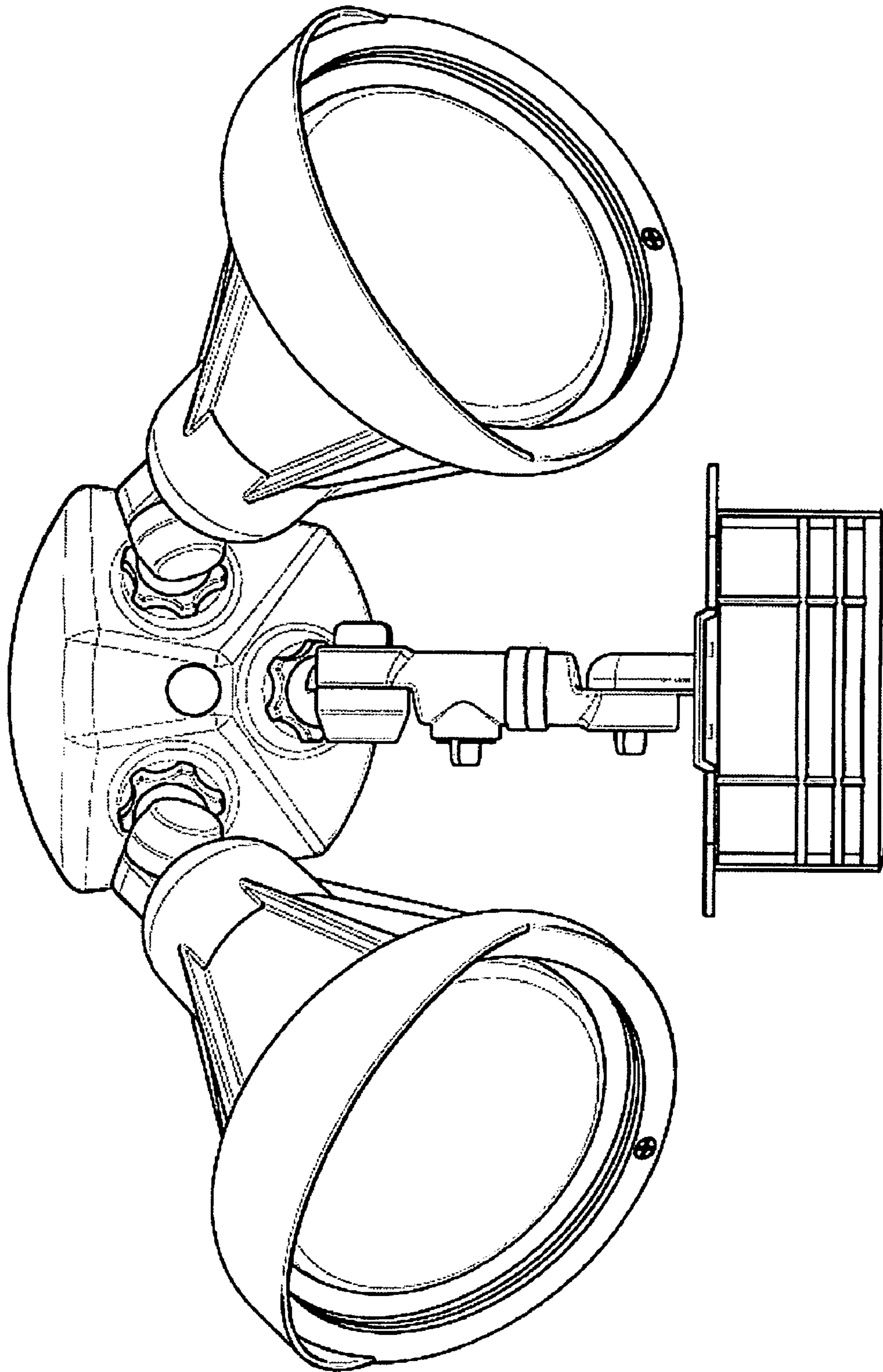


FIG. 9

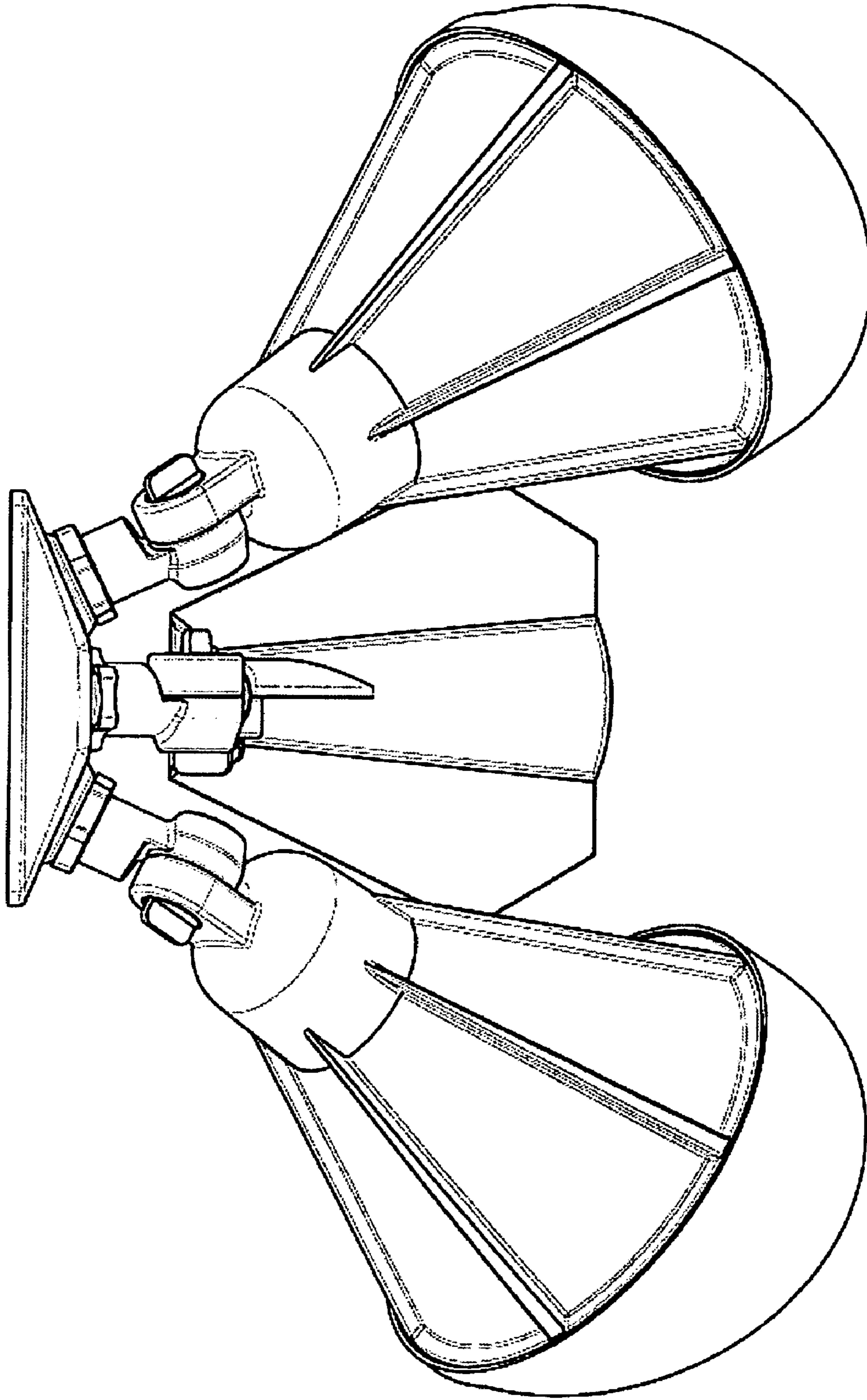


FIG. 10

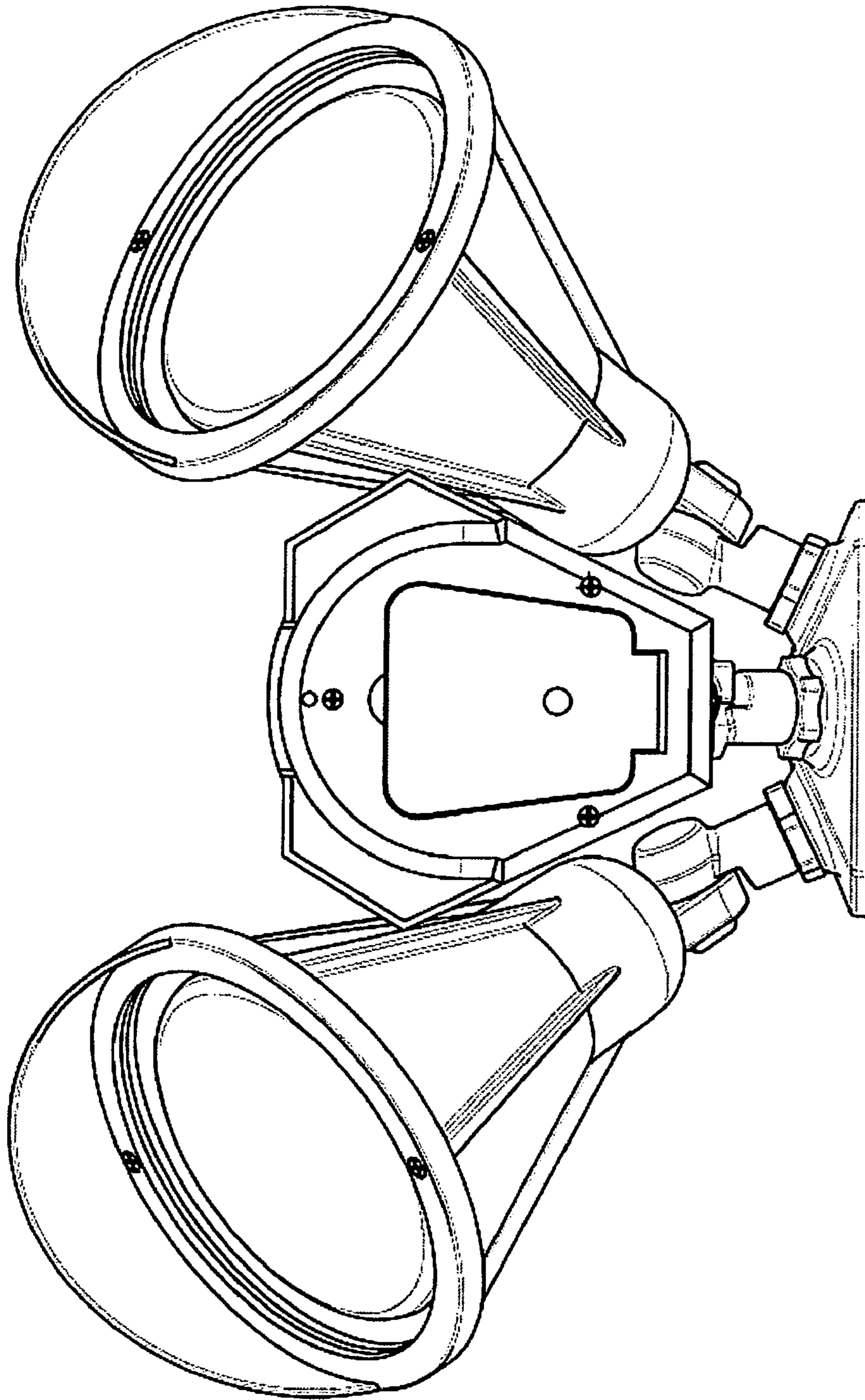


FIG. 11

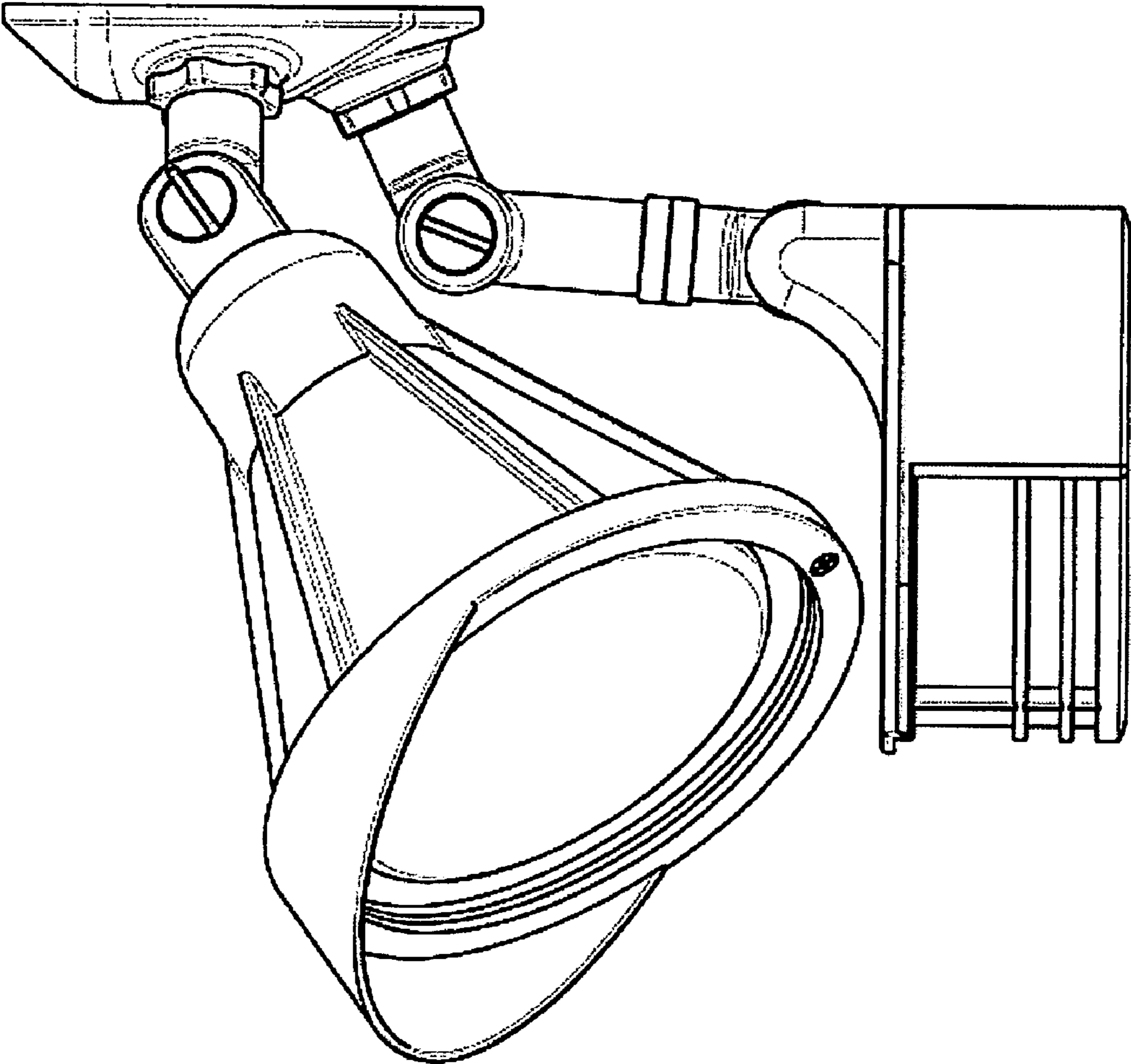


FIG. 12

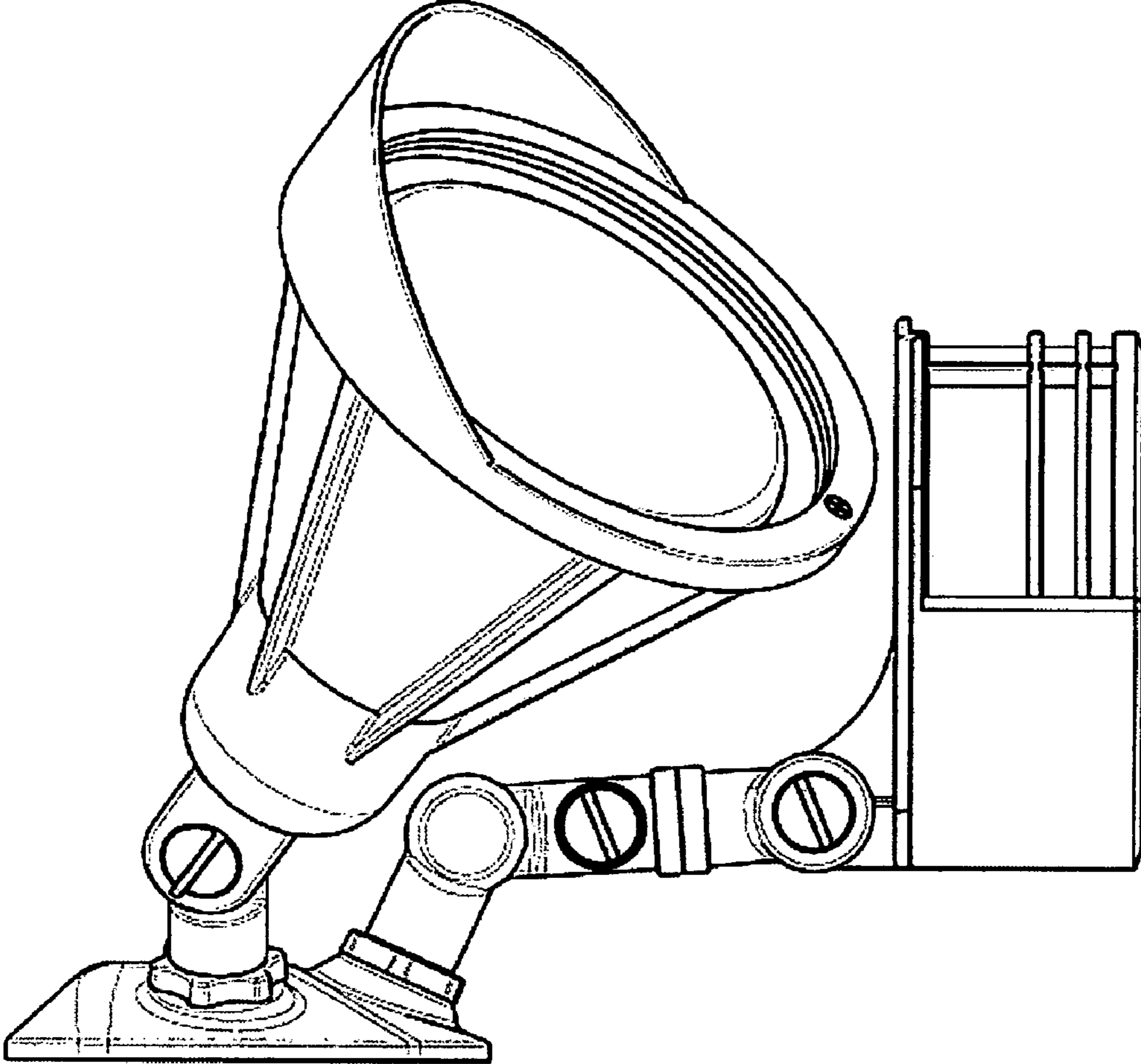


FIG. 13

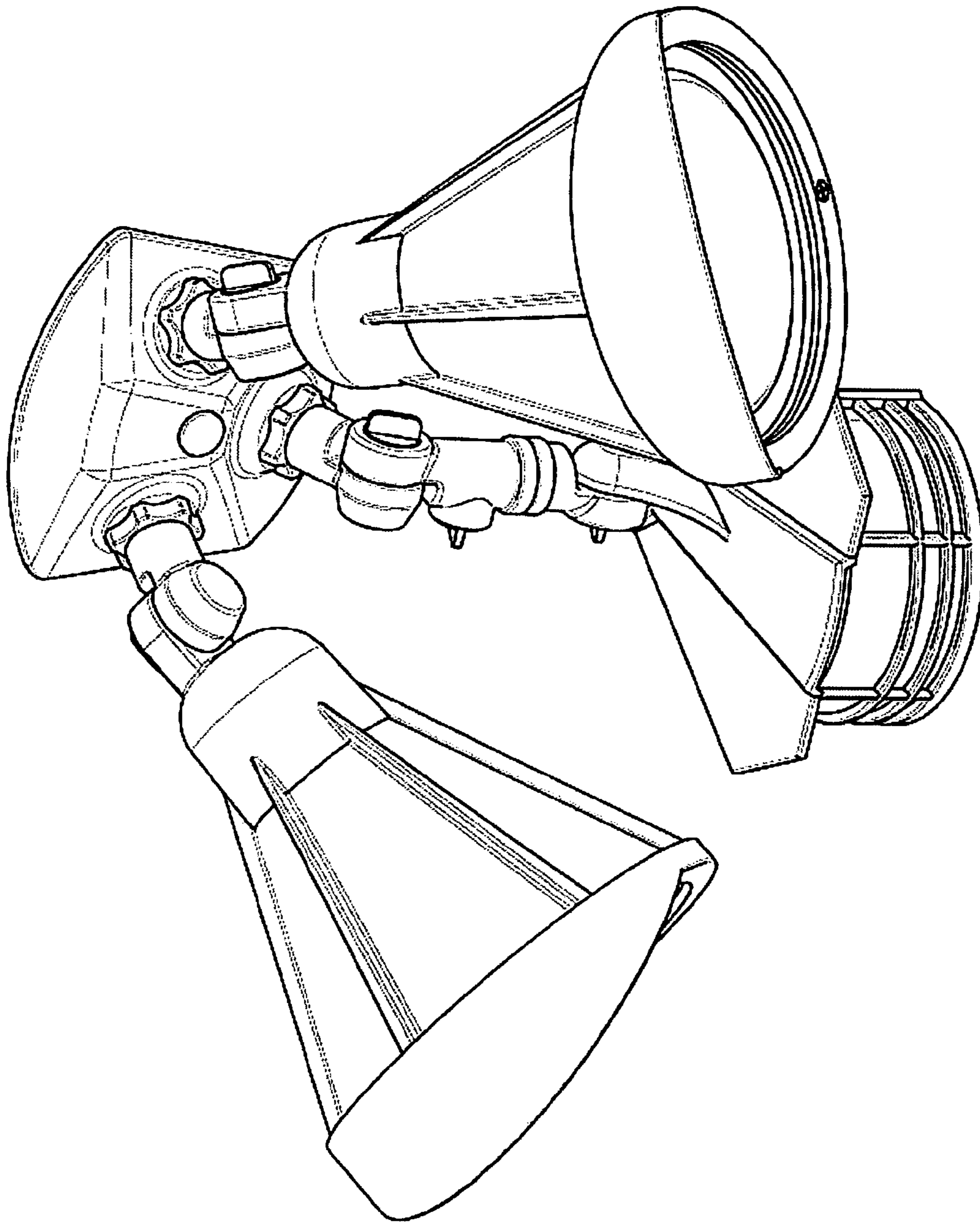


FIG. 14



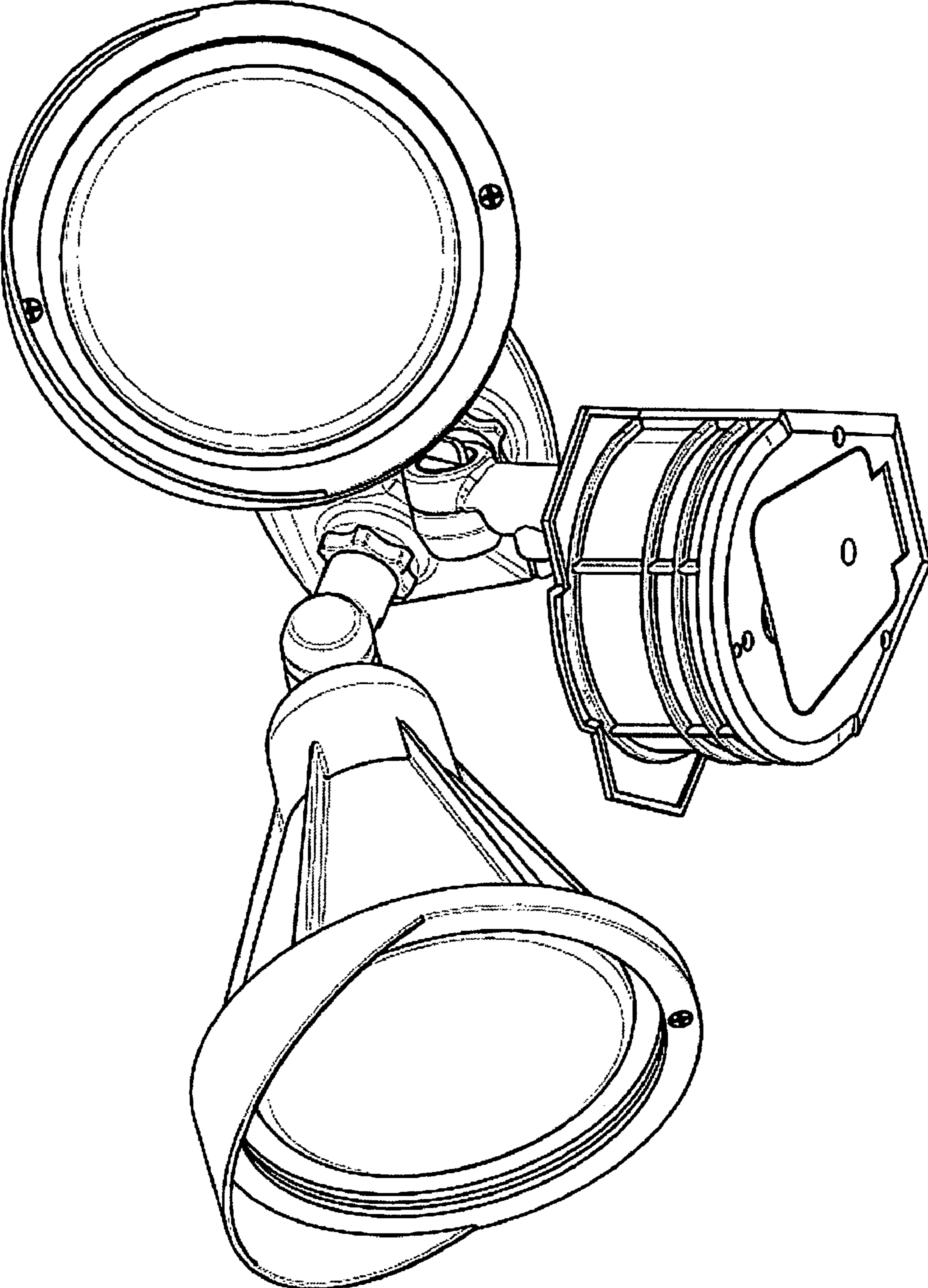


FIG. 15

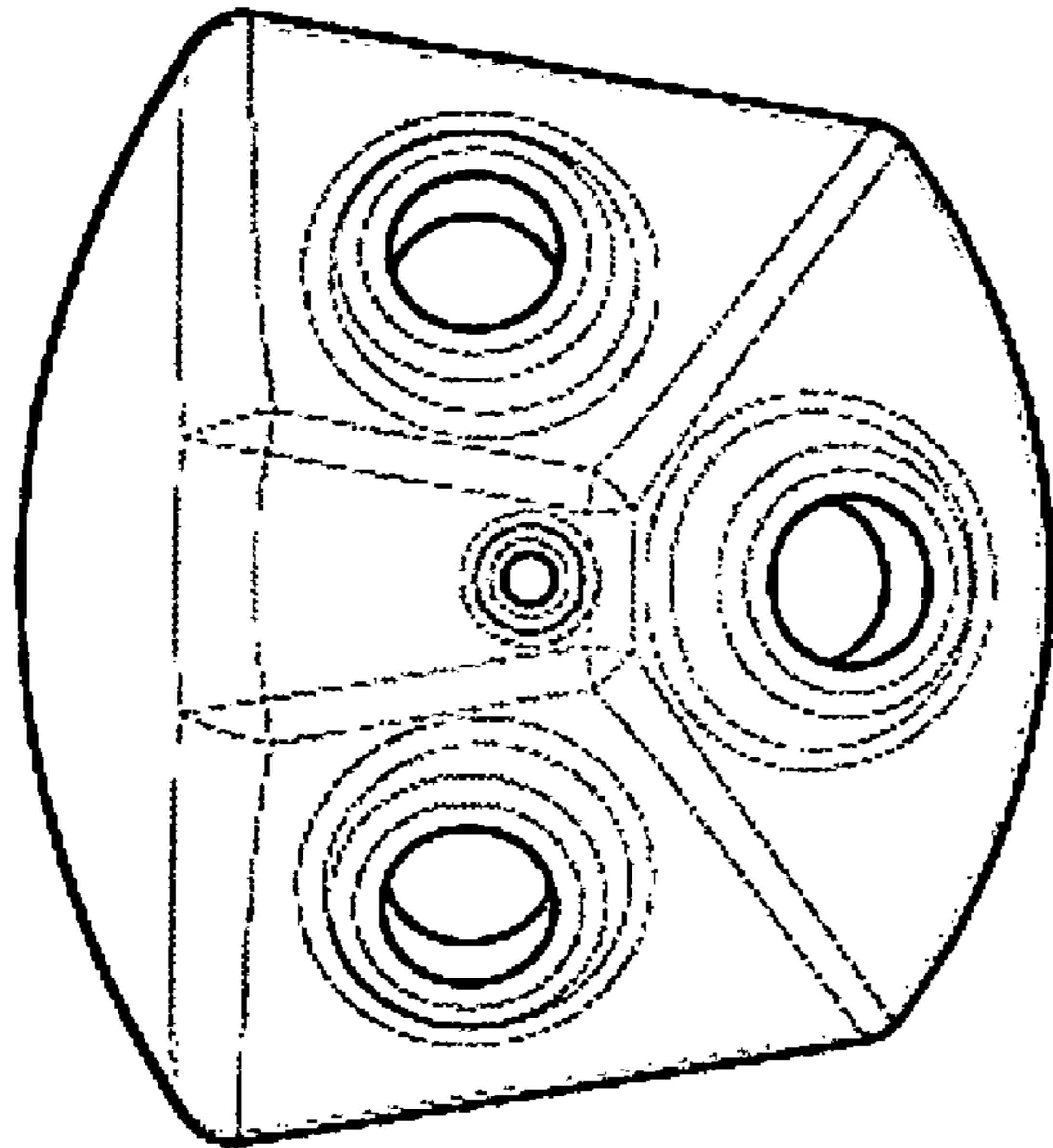


FIG. 16

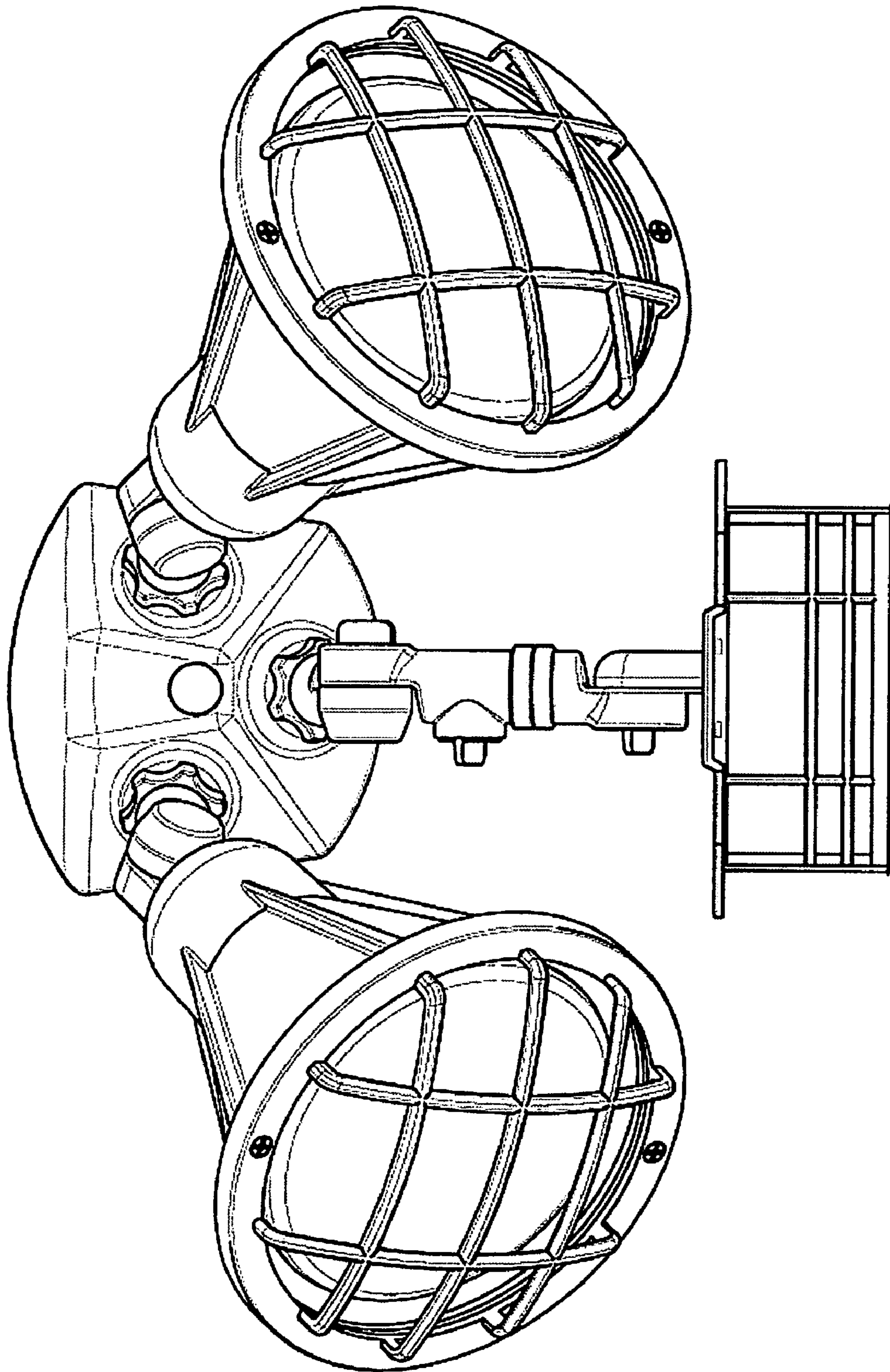


FIG. 17

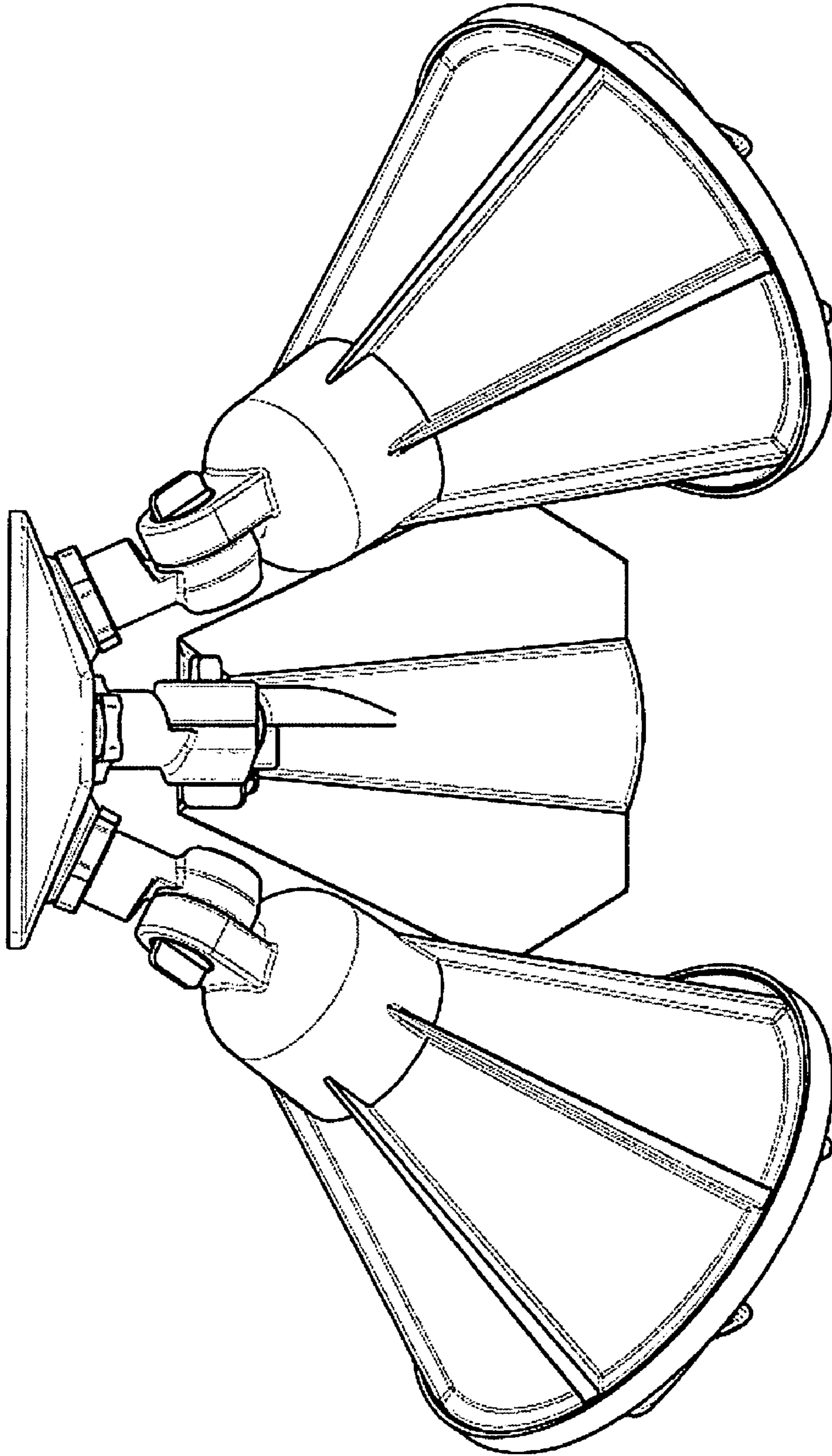


FIG. 18

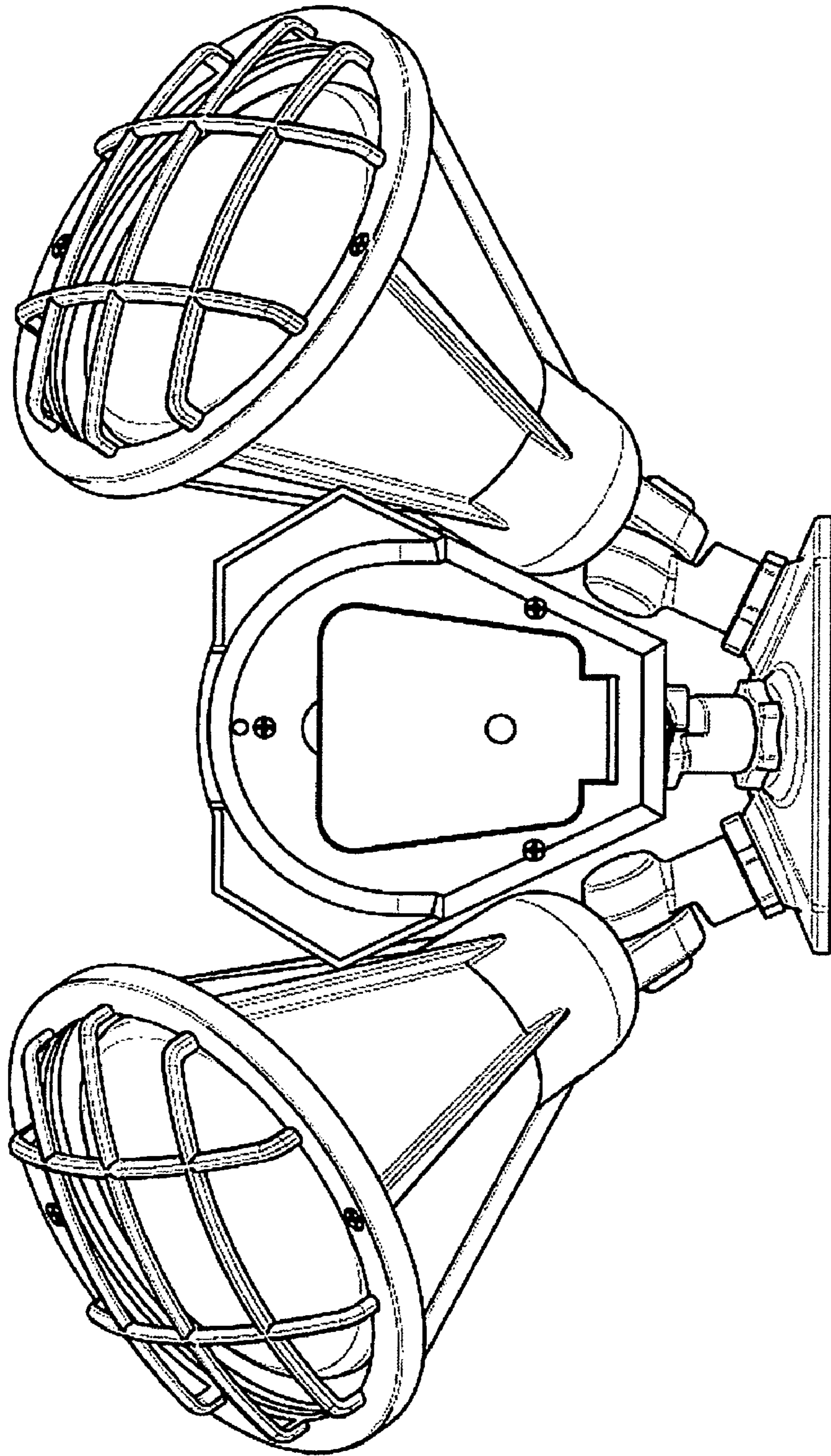


FIG. 19

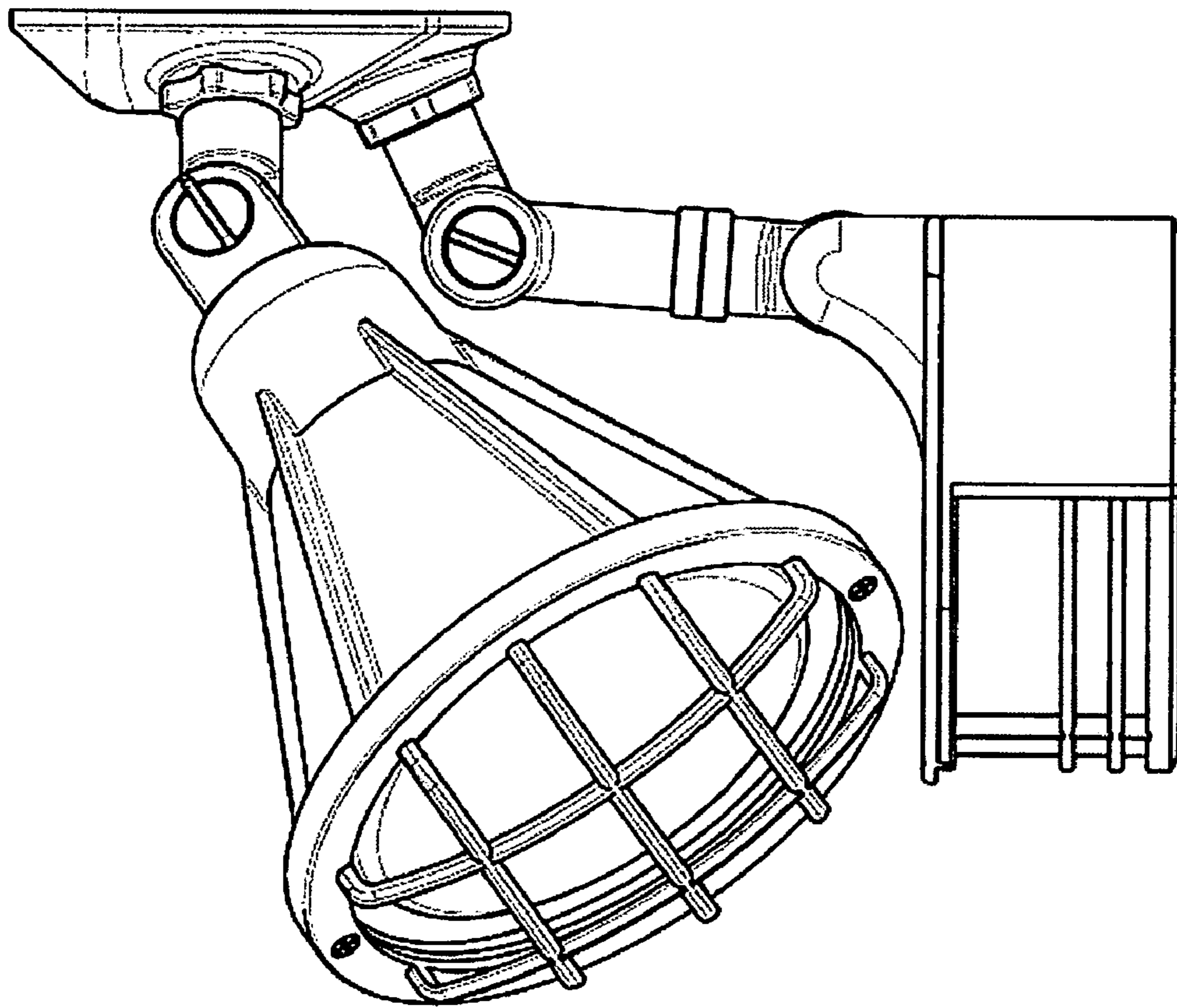


FIG. 20

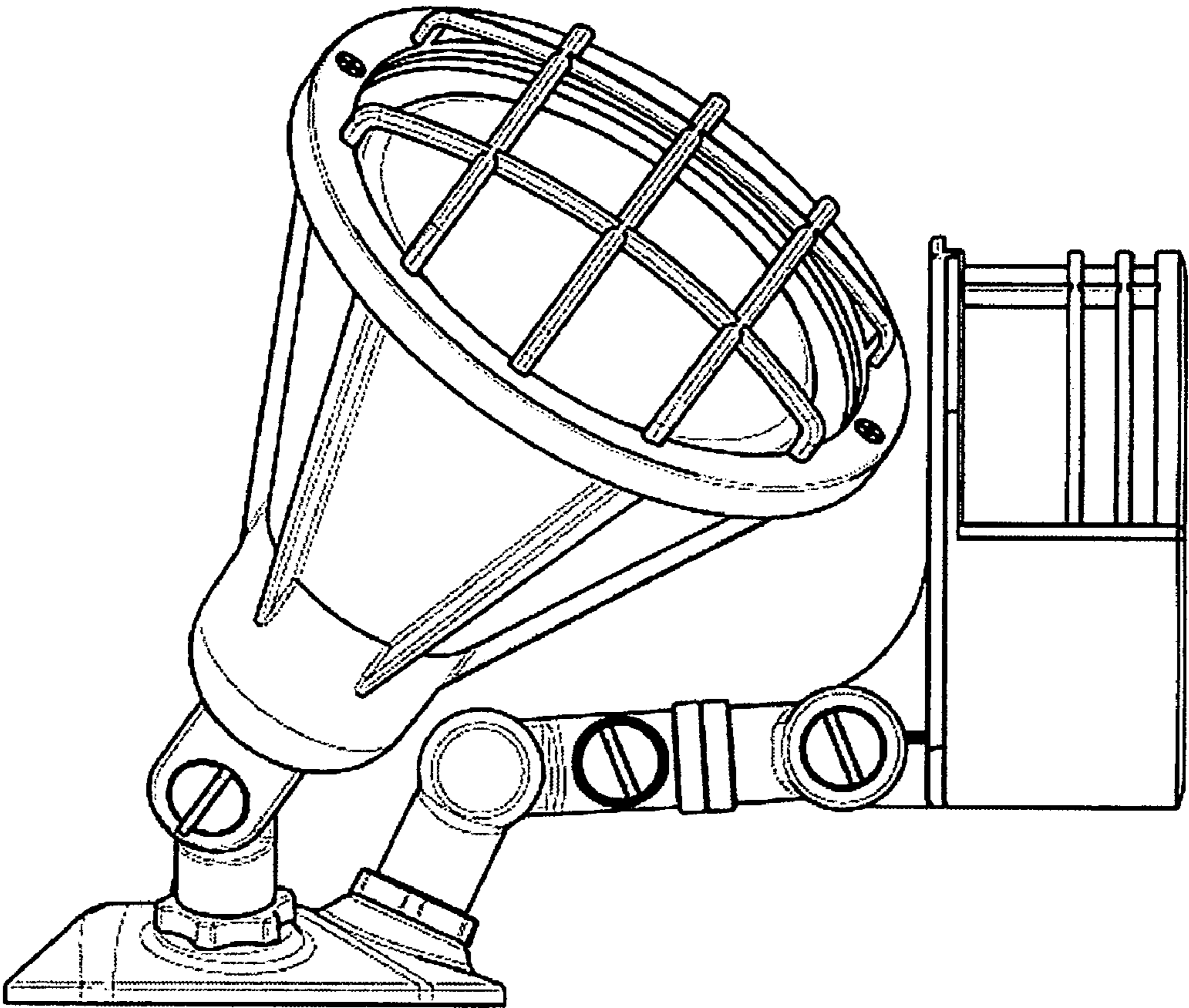


FIG. 21

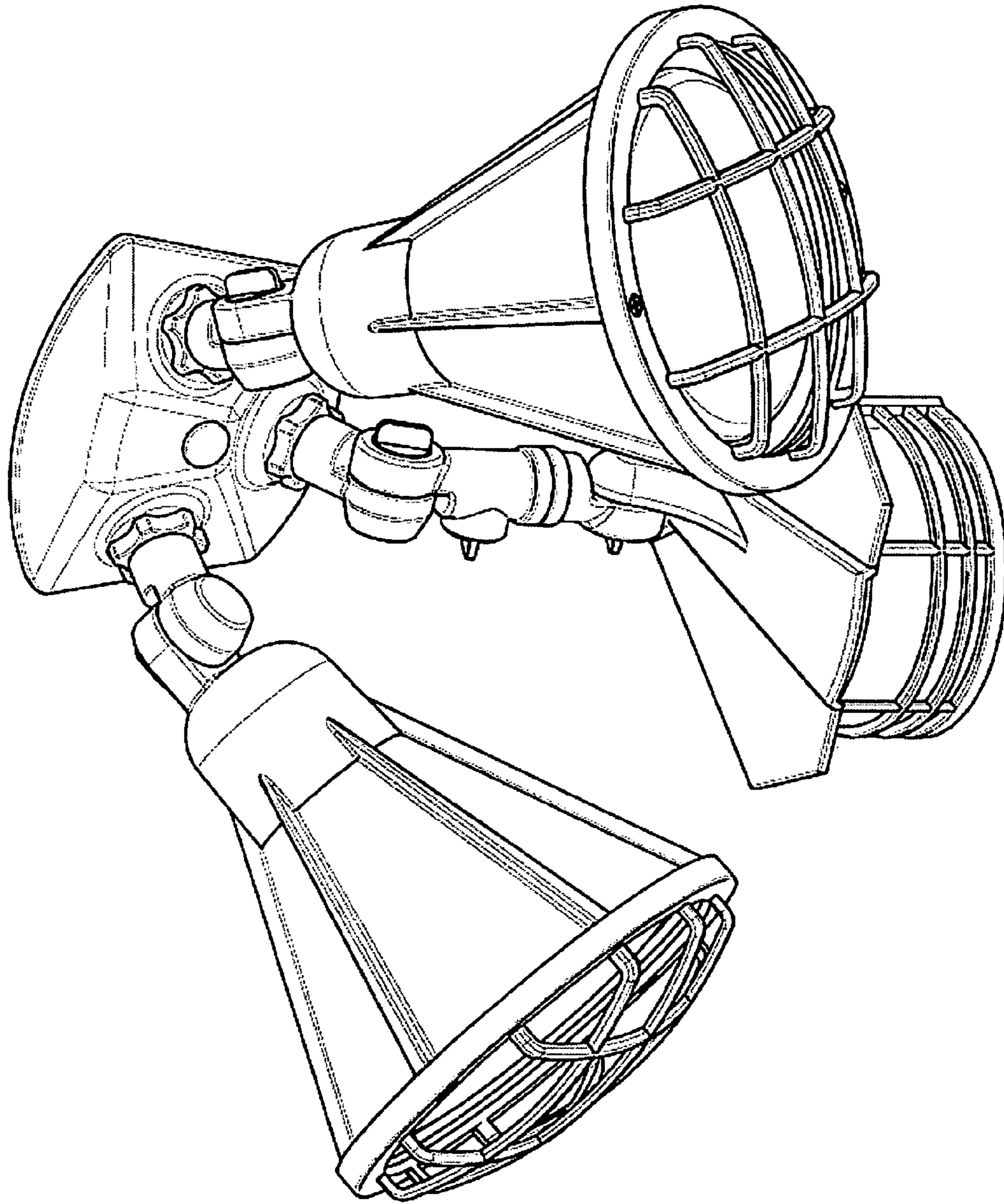


FIG. 22



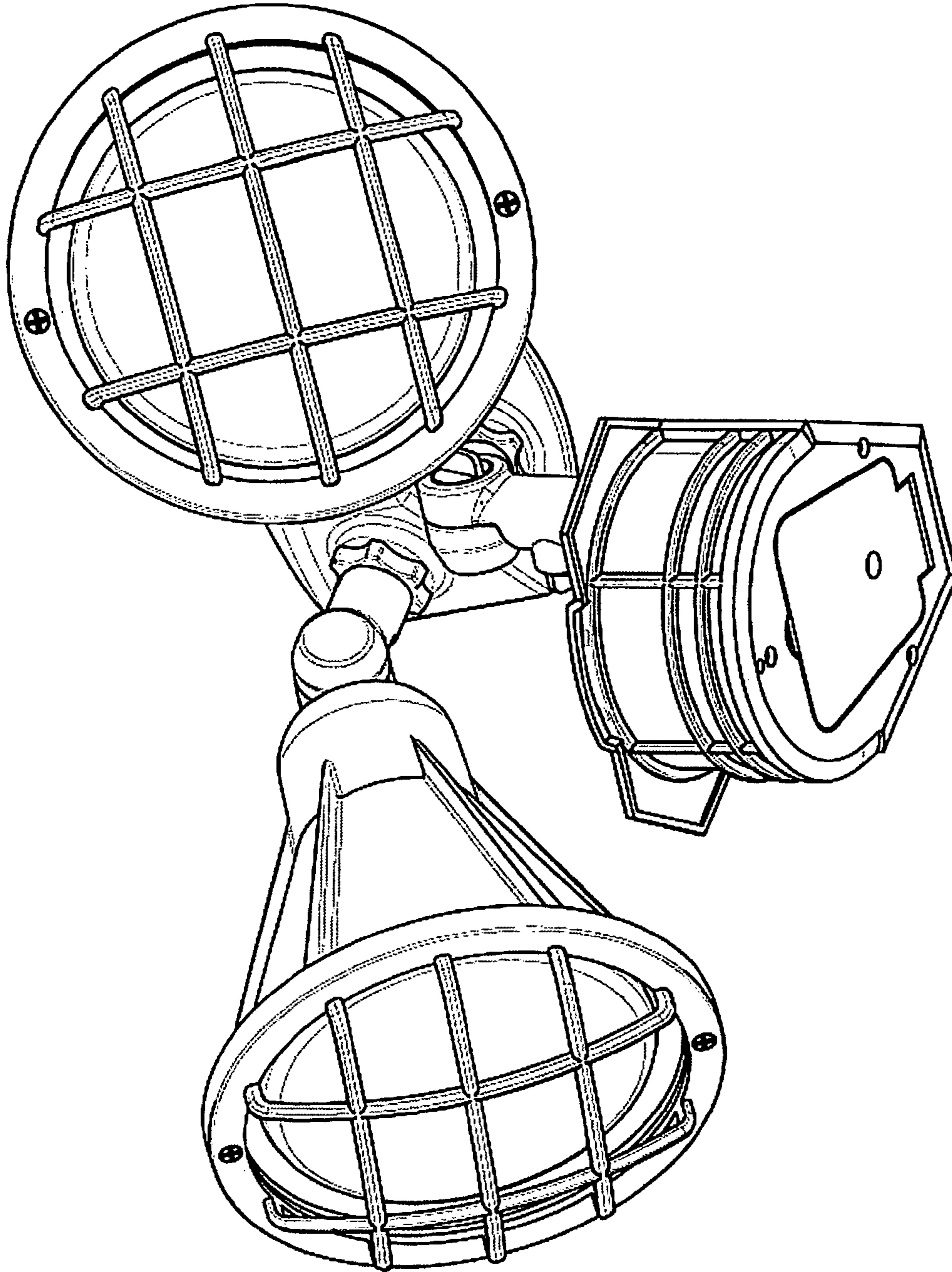


FIG. 23

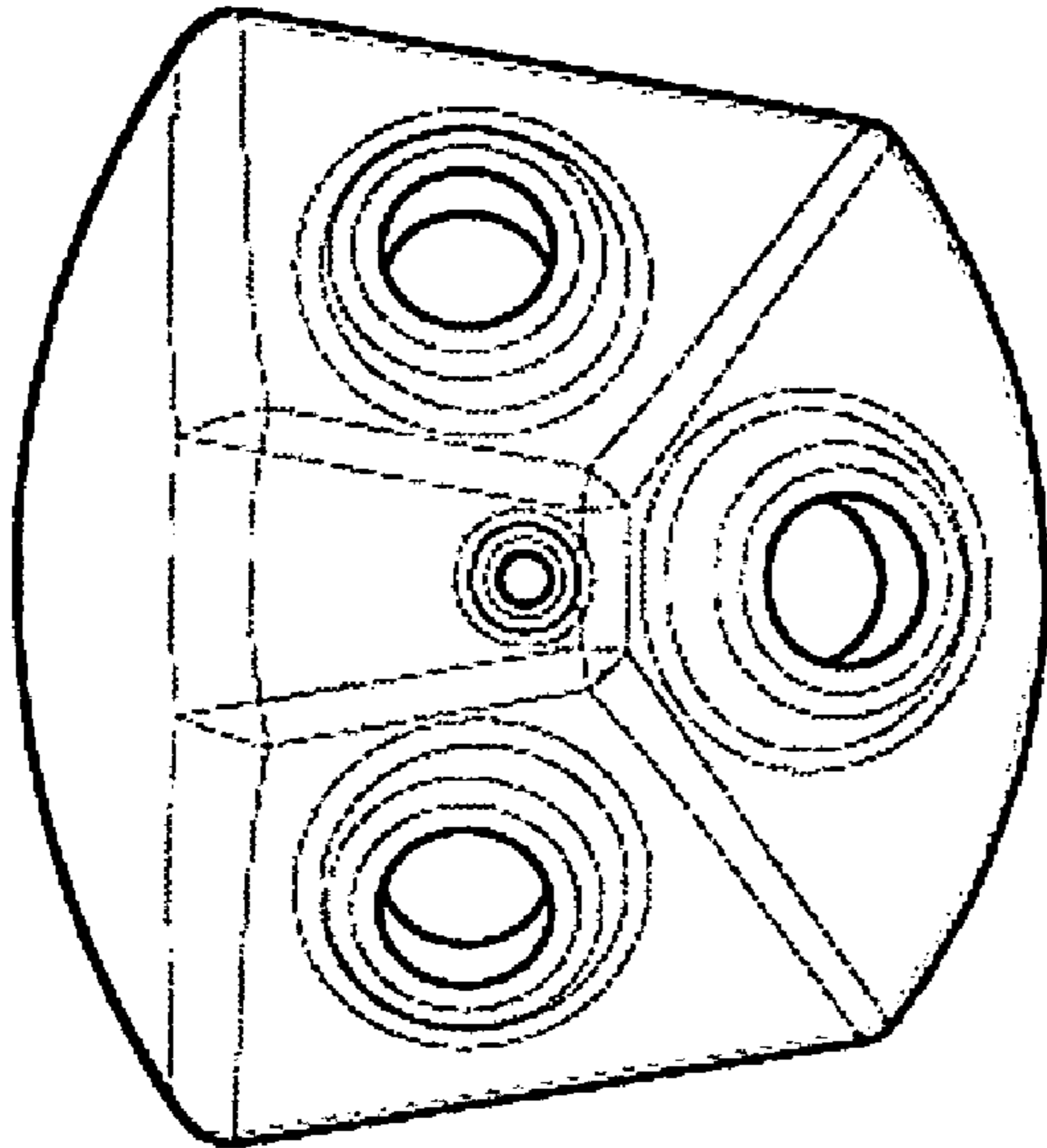


FIG. 24