



US00D546996S

(12) **United States Design Patent**
Layne

(10) **Patent No.:** **US D546,996 S**
(45) **Date of Patent:** **** Jul. 17, 2007**

(54) **ANGLE HEAD ELECTRIC LIGHT FIXTURE
SUITABLE FOR A TRACK LIGHTING
SYSTEM**

D392,405 S * 3/1998 Tang D26/63
D408,570 S * 4/1999 Bird D26/63
D479,756 S * 9/2003 Agro et al. D26/63

(75) Inventor: **Bruce N. Layne**, Wheaton, IL (US)

* cited by examiner

(73) Assignee: **Juno Manufacturing, Inc.**, Des
Plaines, IL (US)

Primary Examiner—Clare E Heflin

(**) Term: **14 Years**

(57) **CLAIM**

(21) Appl. No.: **29/266,882**

The ornamental design for a angle head electric light fixture
suitable for a track lighting system, as shown and described.

(22) Filed: **Sep. 29, 2006**

DESCRIPTION

(51) **LOC (8) Cl.** **26-05**

FIG. 1 is a rear perspective view of the light fixture.

(52) **U.S. Cl.** **D26/63; D26/61**

FIG. 2 is a top view of the light fixture.

(58) **Field of Classification Search** D26/61,
D26/63-66, 72, 128; 362/238, 239, 287,
362/288, 306, 310, 311, 362, 640, 648; 439/122
See application file for complete search history.

FIG. 3 is a side view of the light fixture, the left and right
side views of the light fixture being mirror images of one
another; and,

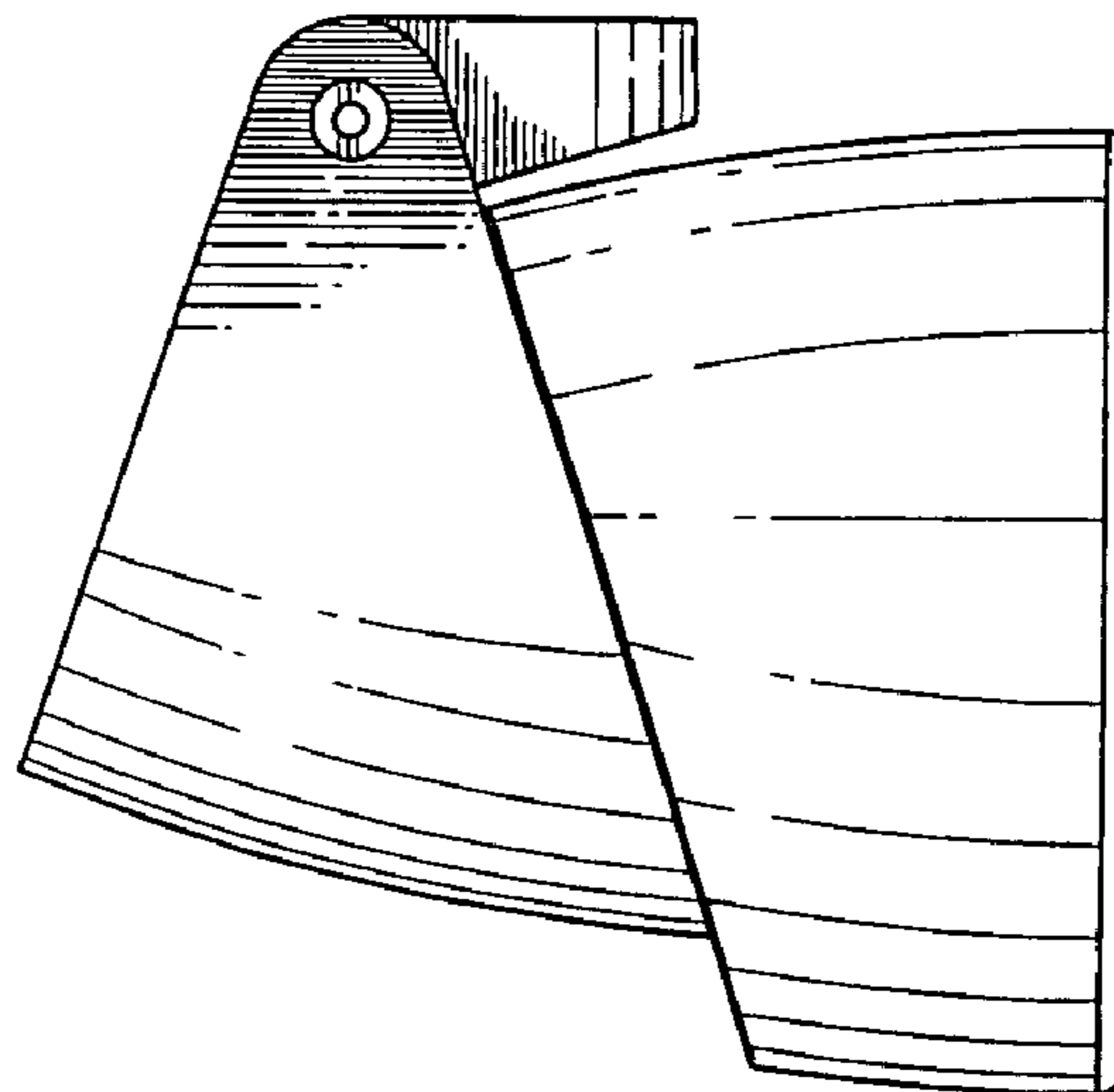
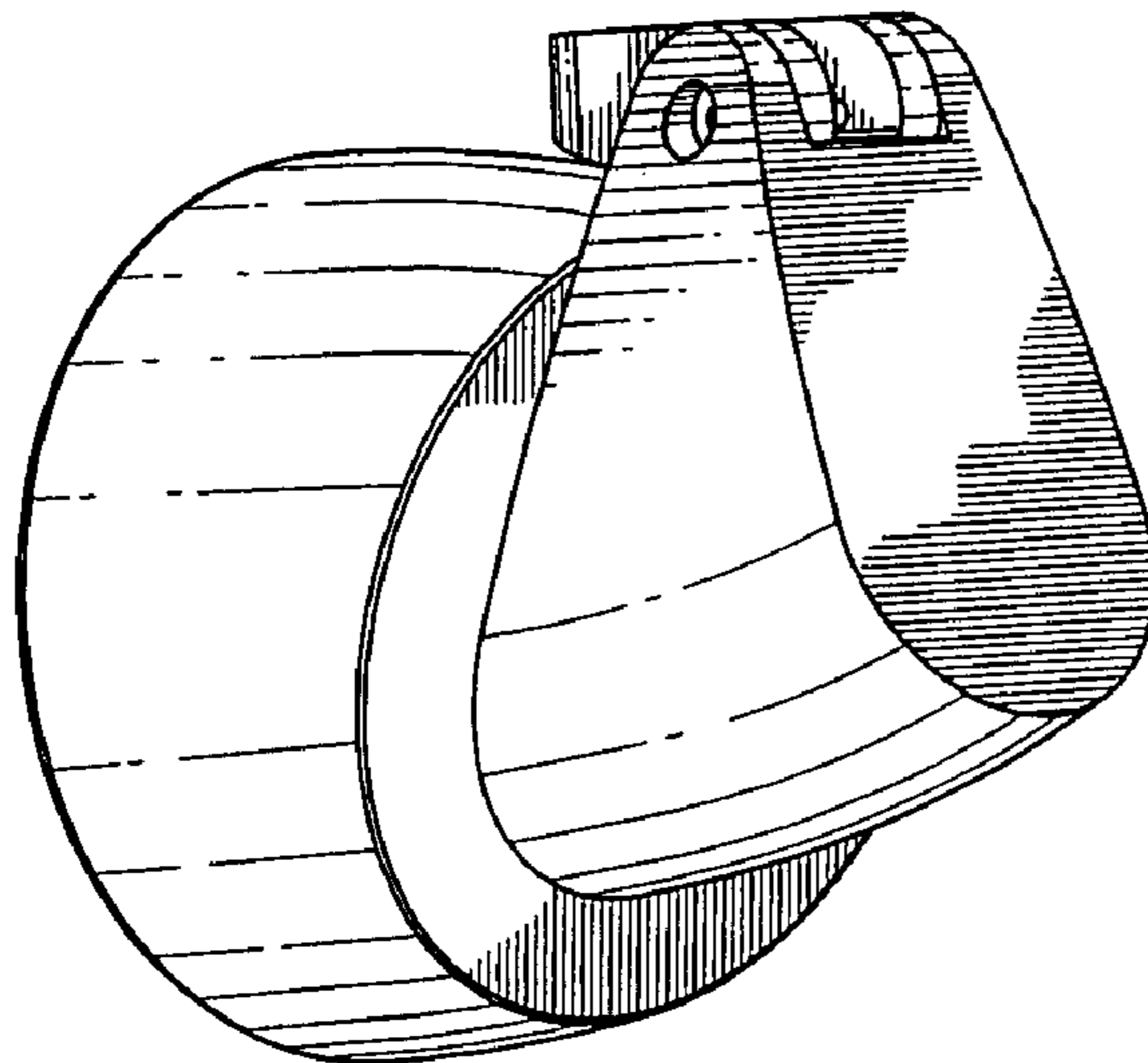
(56) **References Cited**

U.S. PATENT DOCUMENTS

3,088,024 A * 4/1963 Lowell 362/388
D211,391 S * 6/1968 Pettengill D26/63
D233,779 S * 11/1974 Kennedy et al. D26/63
D253,853 S * 1/1980 Gerber D26/63
5,630,663 A * 5/1997 Ling et al. 362/287

FIG. 4 is a front view of the light fixture, also showing a light
bulb socket indicated in phantom and not claimed as a part
of the ornamental design but included to show a functional
part which may vary in appearance according to the type of
light bulb expected to be inserted into the light fixture. The
broken line showing of the light bulb socket is for illustrative
purposes only and forms no part of the claimed design.

1 Claim, 1 Drawing Sheet



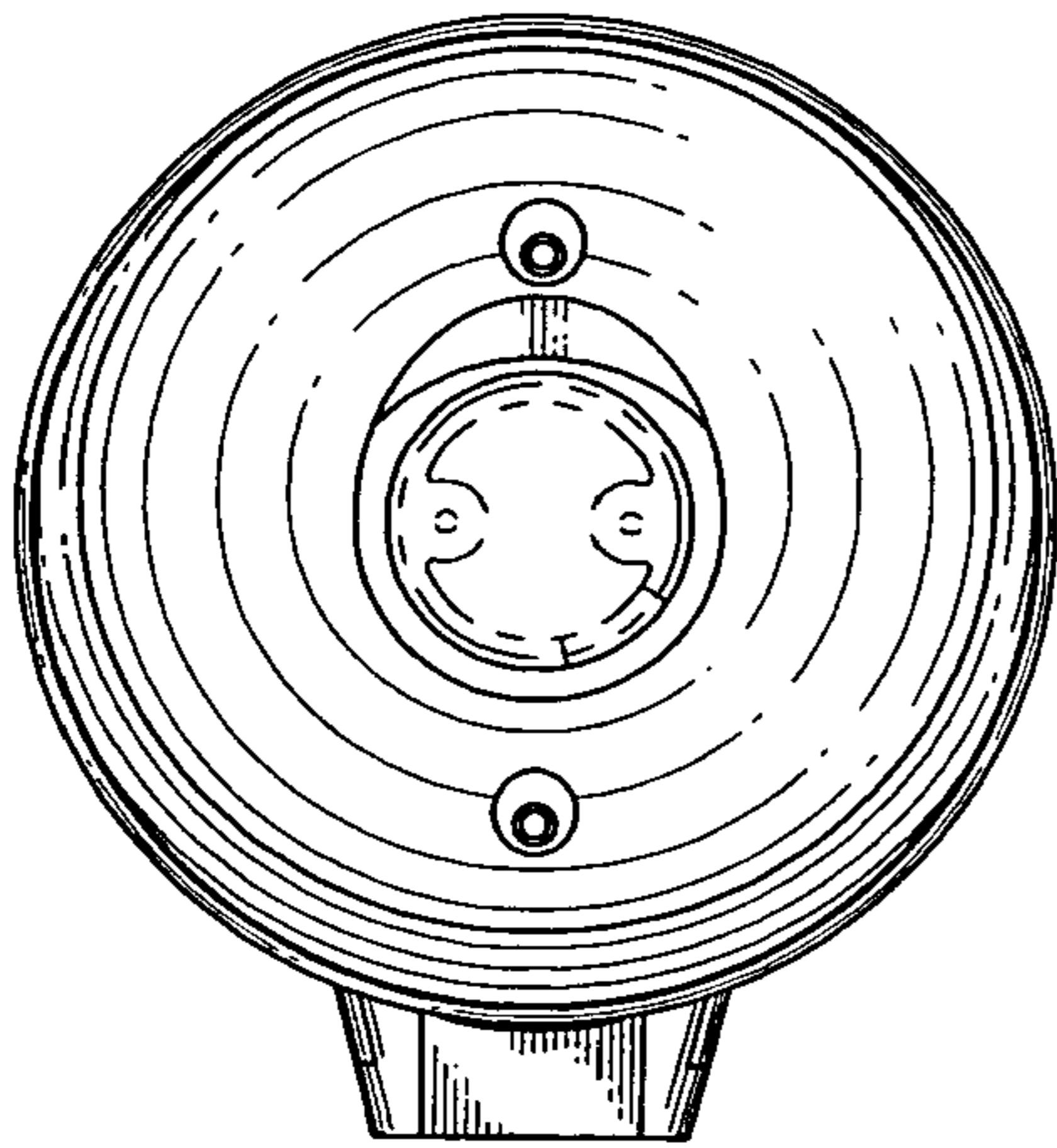


FIG. 4

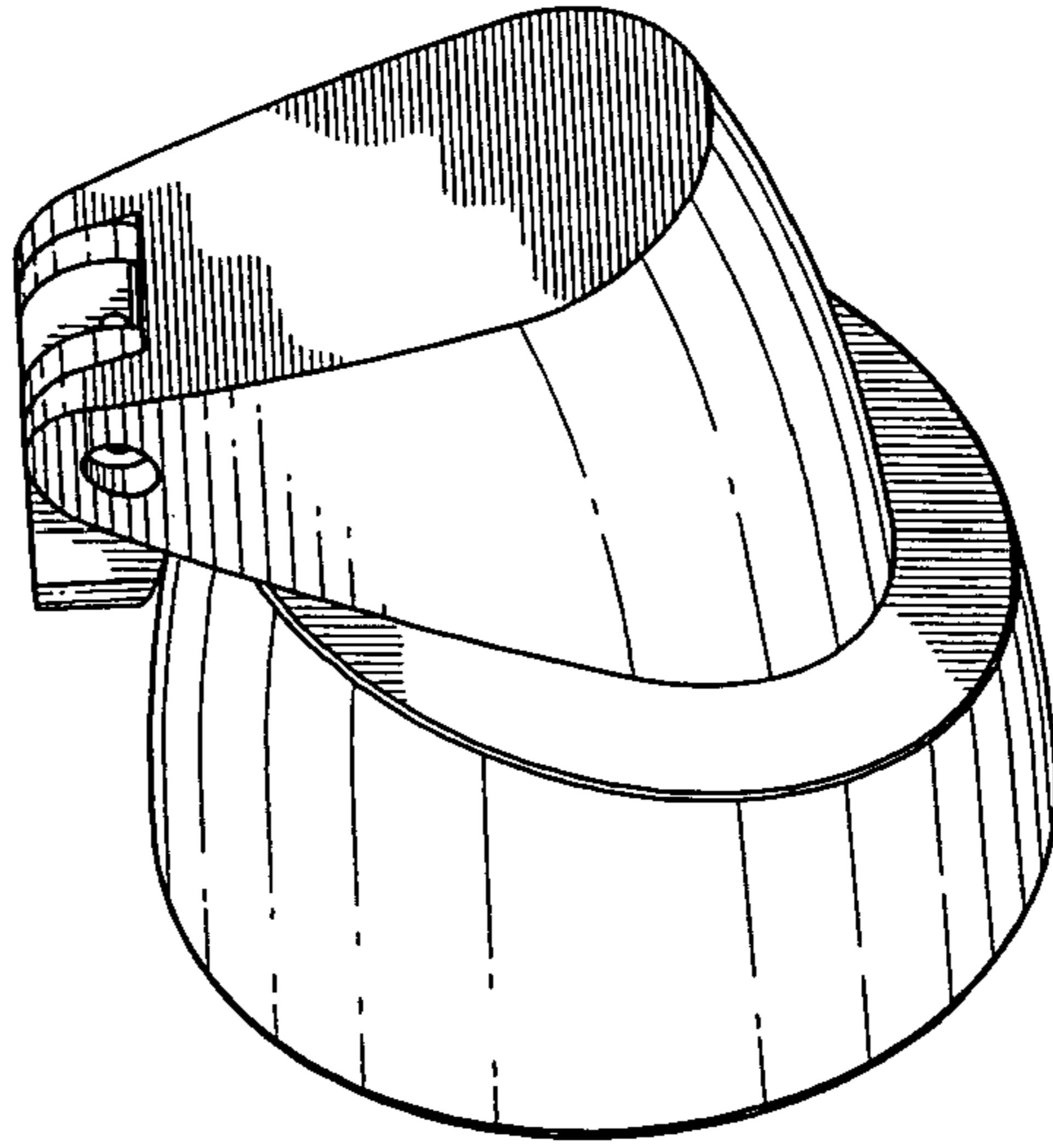


FIG. 1

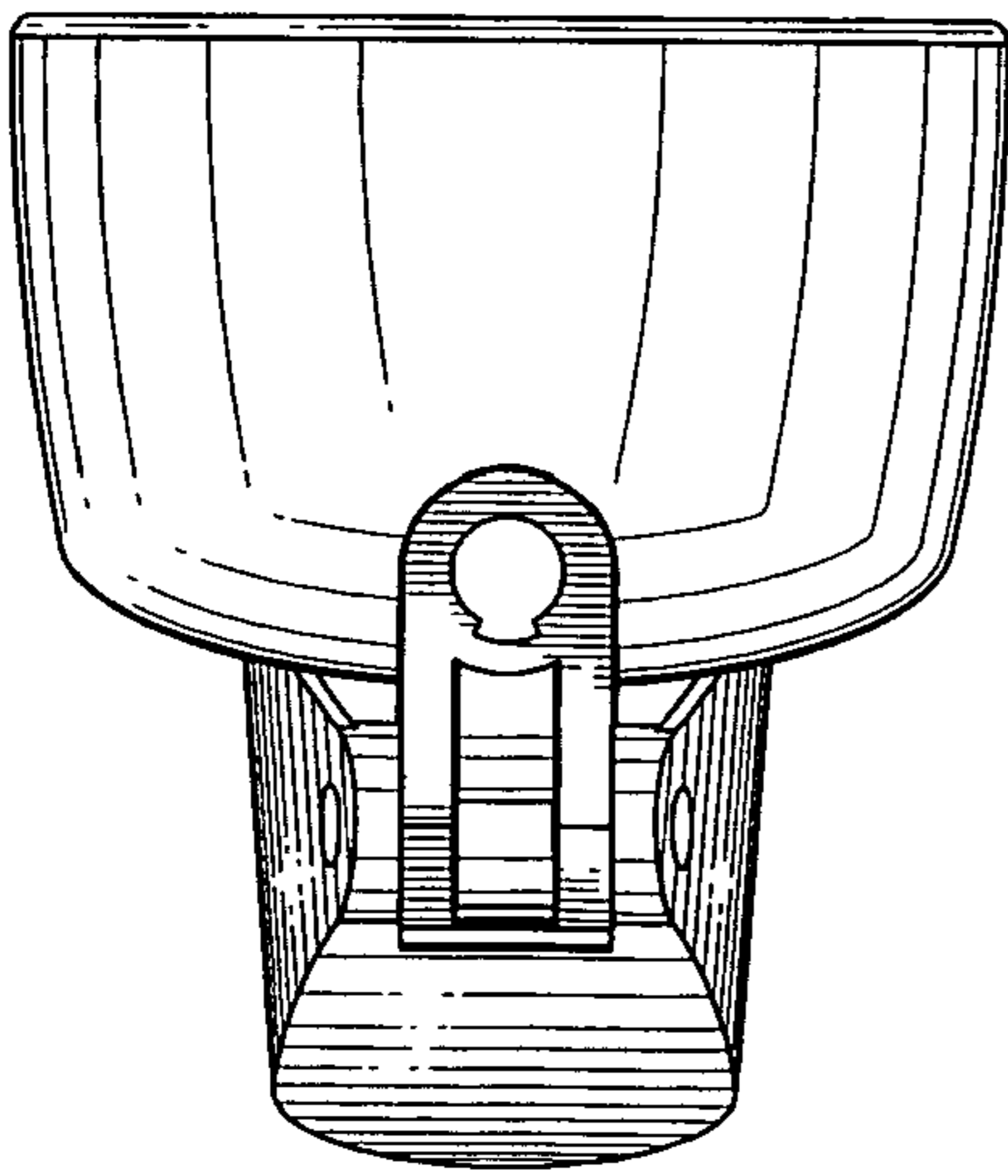


FIG. 2

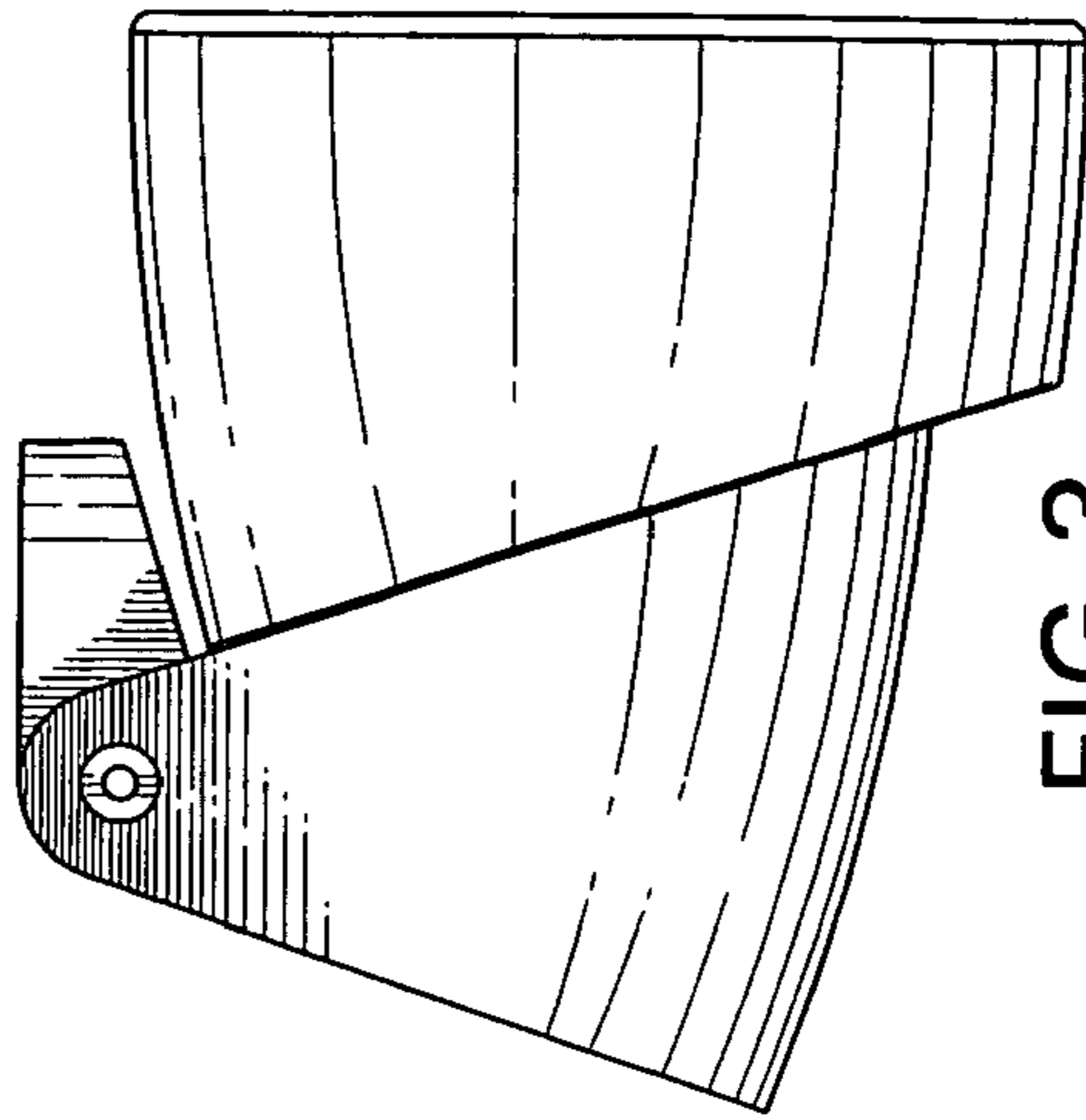


FIG. 3