



US00D546995S

(12) **United States Design Patent** (10) **Patent No.:** **US D546,995 S**
Wachter (45) **Date of Patent:** **** Jul. 17, 2007**

(54) **DECO HEAD ELECTRIC LIGHT FIXTURE SUITABLE FOR A TRACK LIGHTING SYSTEM**

(75) Inventor: **Peter F. Wachter**, Northfield, IL (US)

(73) Assignee: **Juno Manufacturing, Inc.**, Des Plaines, IL (US)

(**) Term: **14 Years**

(21) Appl. No.: **29/266,881**

(22) Filed: **Sep. 29, 2006**

(51) **LOC (8) Cl.** **26-05**

(52) **U.S. Cl.** **D26/63; D26/61**

(58) **Field of Classification Search** D26/61, D26/63-66, 72, 128; 362/238, 239, 287, 362/288, 306, 310, 311, 362, 640, 648; 439/122
See application file for complete search history.

(56) **References Cited**

U.S. PATENT DOCUMENTS

D212,968 S *	12/1968	Schwartz	D26/63
D217,063 S *	3/1970	Daito	D26/62
D226,497 S *	3/1973	O'Brien	D26/108
D288,135 S *	2/1987	Donato	D26/63
D328,147 S *	7/1992	Gecchelin	D26/63
D360,959 S *	8/1995	Donato et al.	D26/63
5,765,793 A *	6/1998	Yu	362/396
D402,773 S *	12/1998	Lo	D26/118
D426,009 S *	5/2000	Swanson	D26/65
D433,763 S *	11/2000	Donato	D26/63
D443,940 S *	6/2001	Donato	D26/63
D448,509 S *	9/2001	Lin	D26/63

* cited by examiner

Primary Examiner—Clare E Heflin

(57) **CLAIM**

The ornamental design for a deco head electric light fixture suitable for a track lighting system, as shown and described.

DESCRIPTION

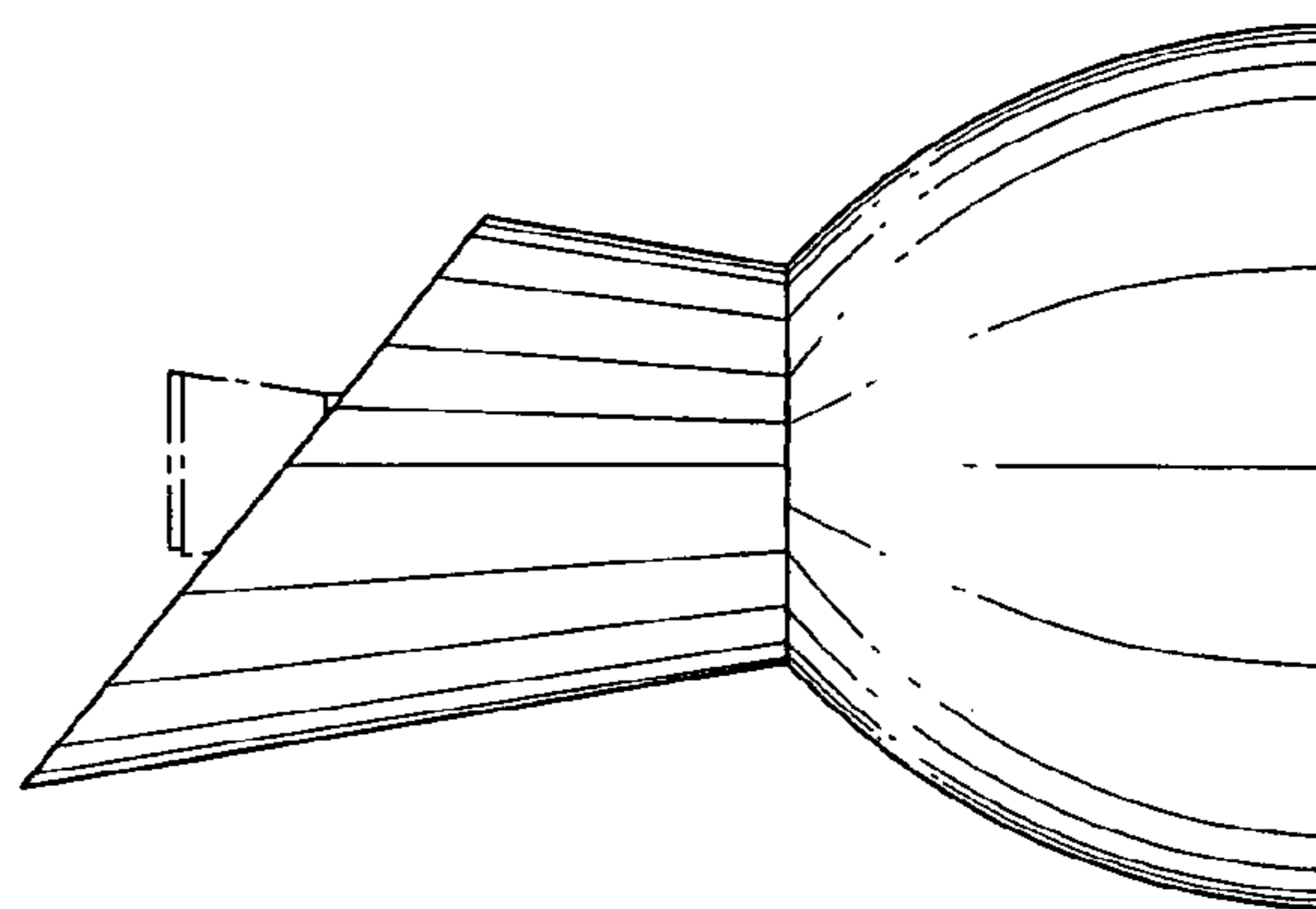
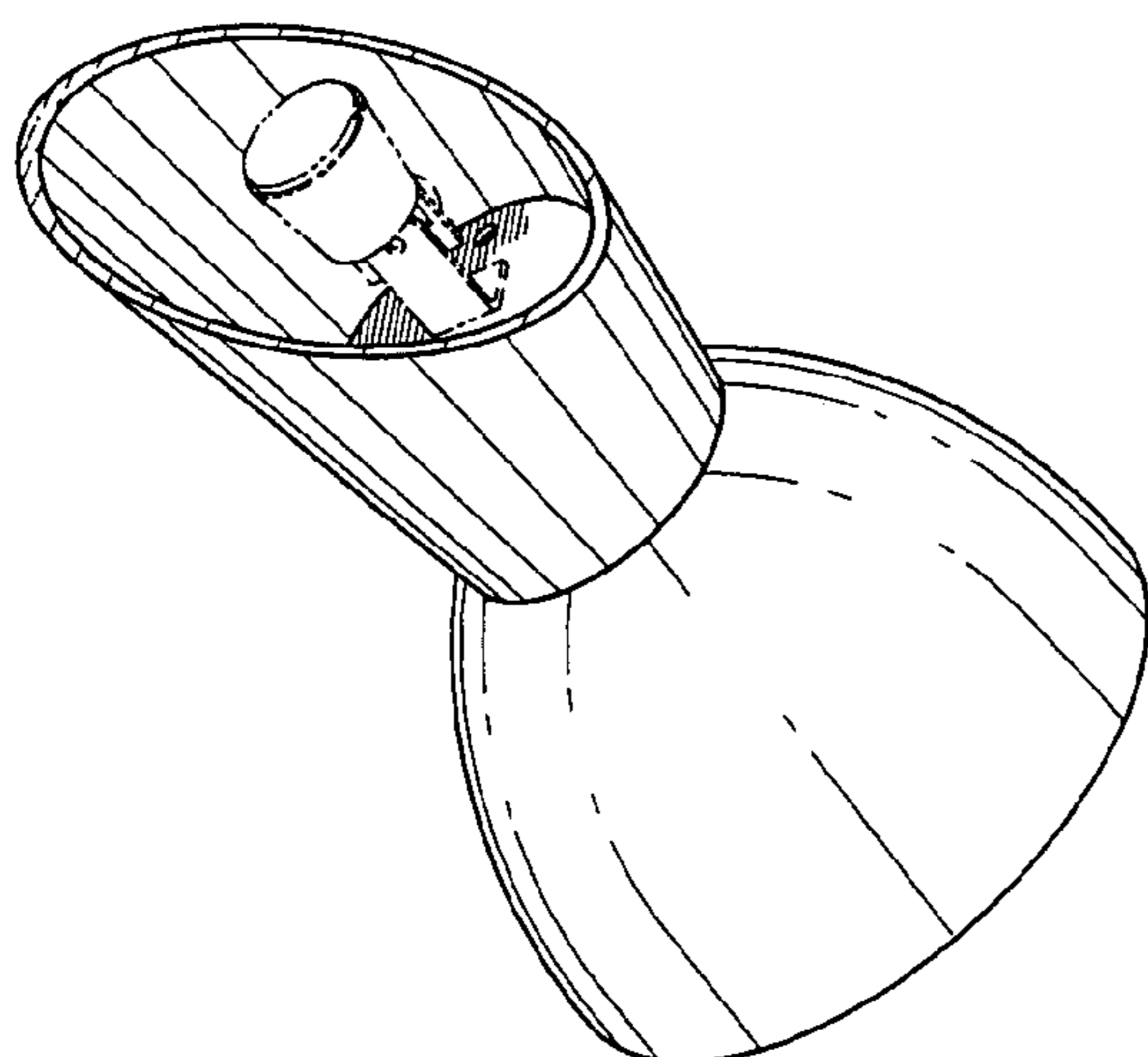
FIG. 1 is a rear perspective view of the light fixture, also showing a connection piece to a trac lighting system indicated in phantom and not claimed as a part of the ornamental design but included to show a functional part which may vary in appearance according to the type of trac system expected to mate with the light fixture. The broken line showing of the connection piece is for illustrative purposes only and forms no part of the claimed design.

FIG. 2 is a top view of the light fixture, also showing the connection piece to a trac lighting system indicated in phantom and not claimed as a part of the ornamental design but included to show a functional part which may vary in appearance according to the type of trac system expected to mate with the light fixture. The broken line showing of the connection piece is for illustrative purposes only and forms no part of the claimed design.

FIG. 3 is a side view of the light fixture, the left and right side views of the light fixture being mirror images of one another, also showing the connection piece to a trac lighting system indicated in phantom and not claimed as a part of the ornamental design but included to show a functional part which may vary in appearance according to the type of trac system expected to mate with the light fixture. The broken line showing of the connection piece is for illustrative purposes only and forms no part of the claimed design; and,

FIG. 4 is a front view of the light fixture, also showing a light bulb socket indicated in phantom and not claimed as a part of the ornamental design but included to show a functional part which may vary in appearance according to the type of light bulb expected to be inserted into the light fixture. The broken line showing of the light bulb socket is for illustrative purposes only and forms no part of the claimed design.

1 Claim, 1 Drawing Sheet



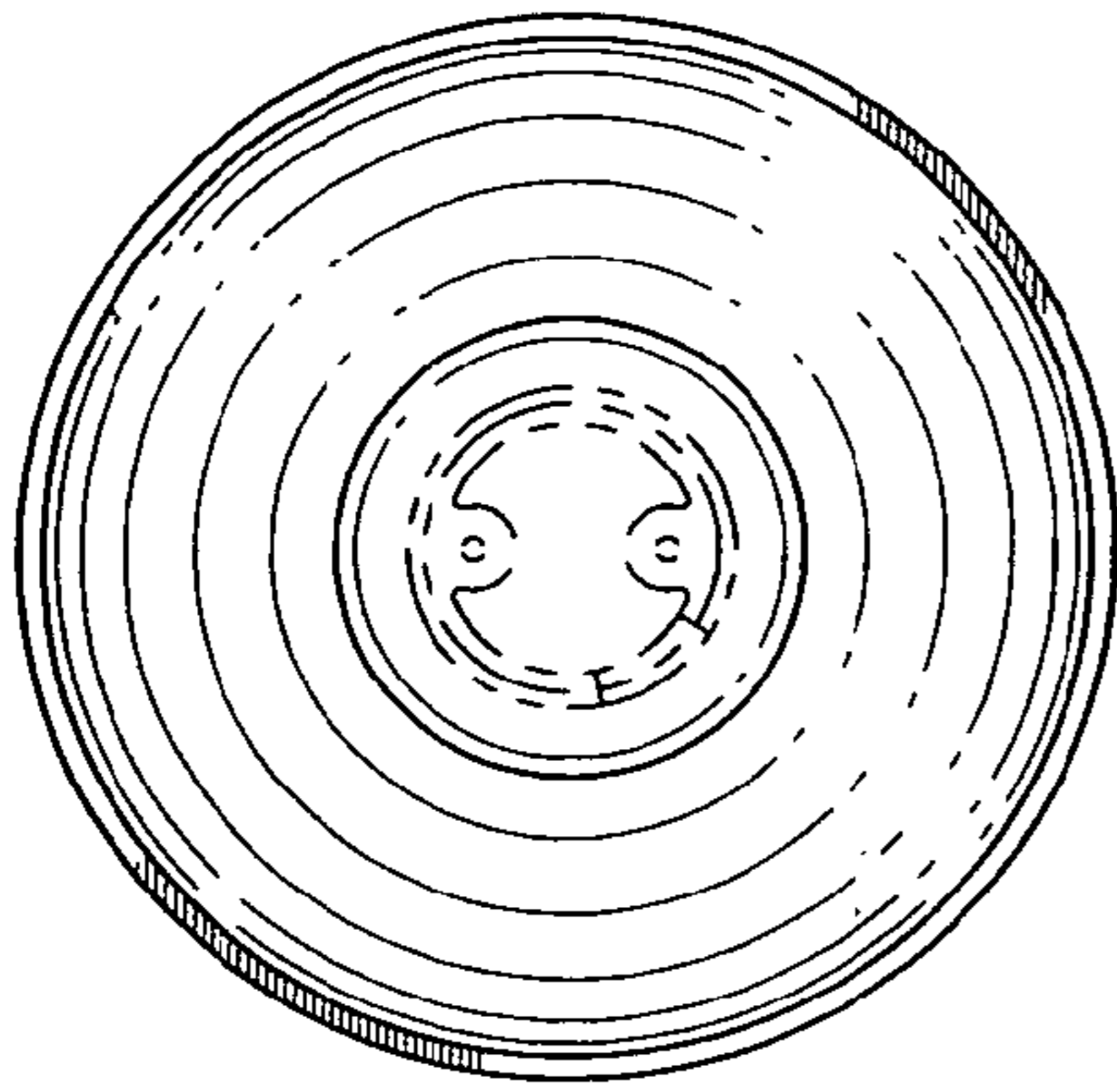


FIG. 4

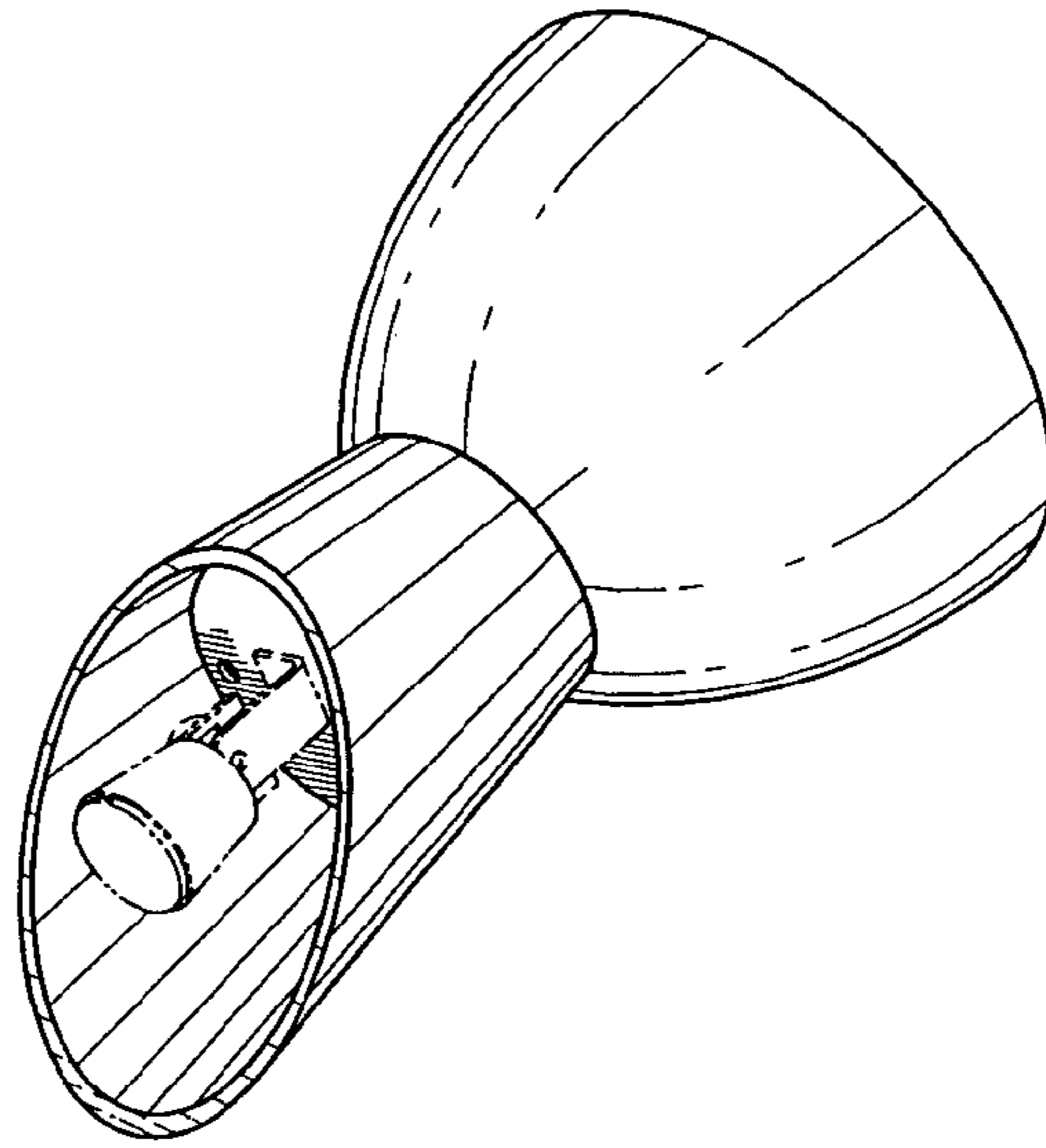


FIG. 1

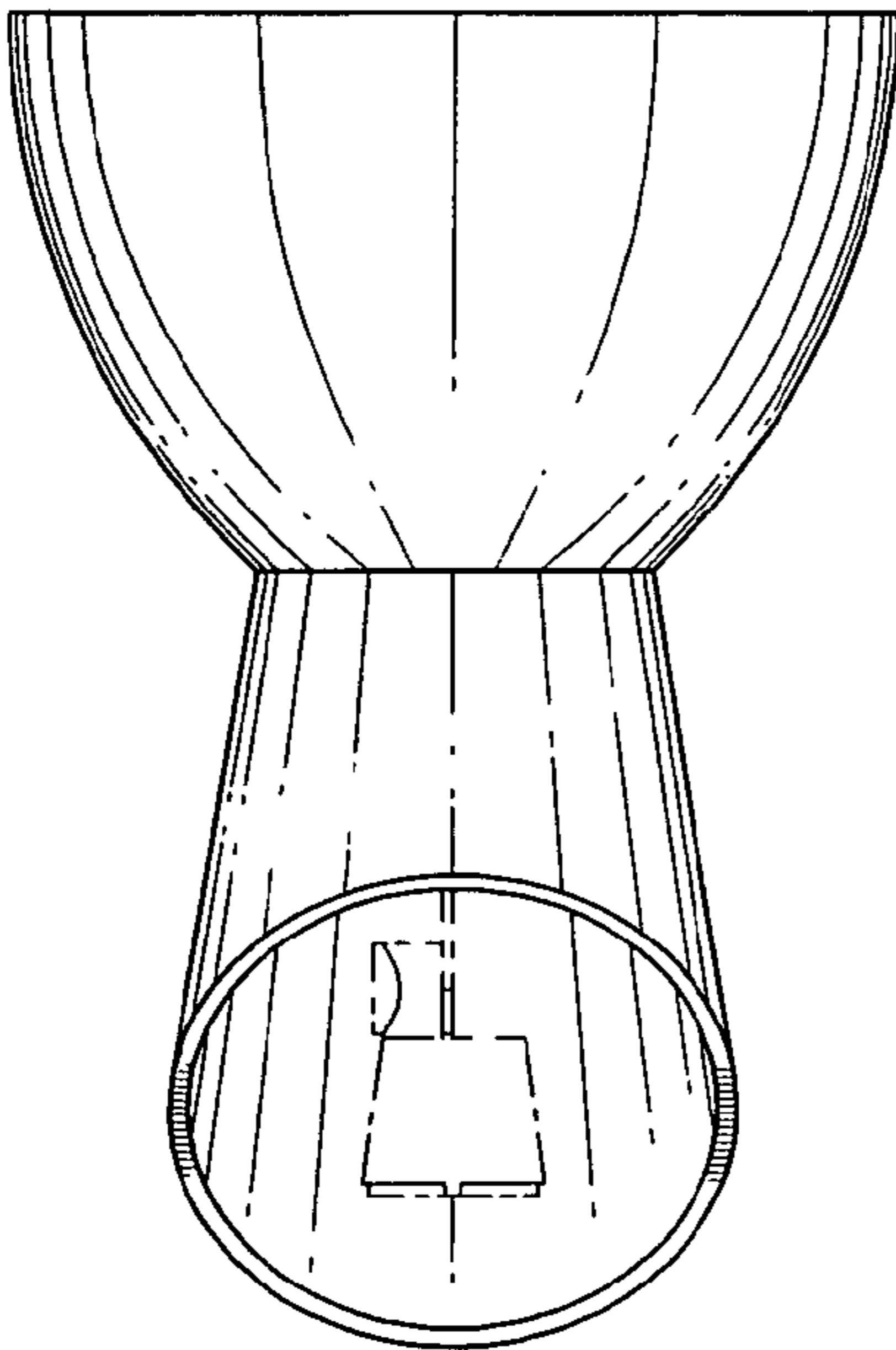


FIG. 2

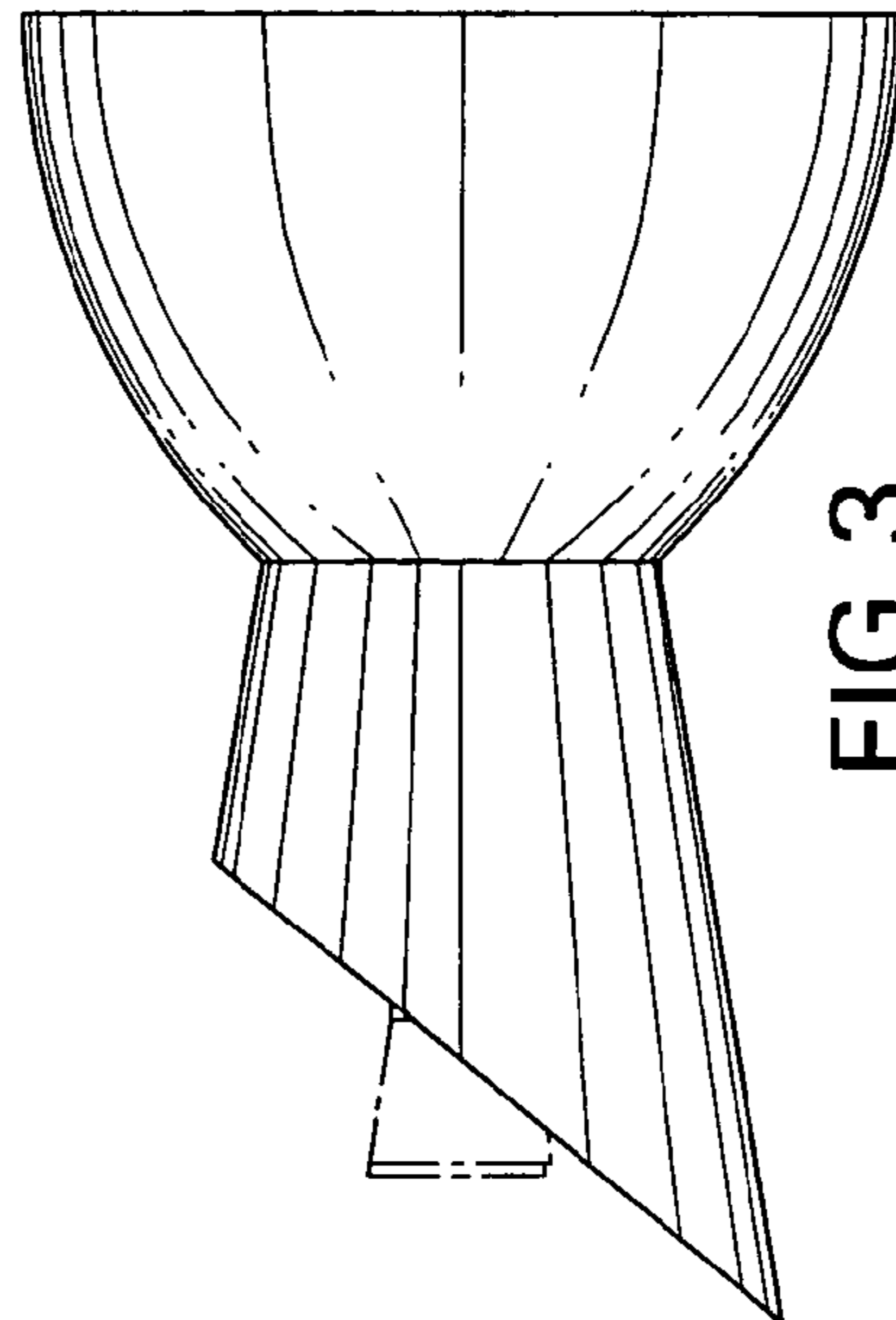


FIG. 3