



US00D546994S

(12) **United States Design Patent**
Wachter

(10) **Patent No.:** **US D546,994 S**

(45) **Date of Patent:** **** Jul. 17, 2007**

(54) **RING AND CUBE HEAD ELECTRIC LIGHT
FIXTURE SUITABLE FOR A TRACK
LIGHTING SYSTEM**

D326,162 S * 5/1992 Price D26/63
5,695,279 A * 12/1997 Sonnleitner et al. 362/419

* cited by examiner

(75) Inventor: **Peter F. Wachter**, Northfield, IL (US)

Primary Examiner—Clare E Heflin

(73) Assignee: **Juno Manufacturing, Inc.**, Des
Plaines, IL (US)

(57) **CLAIM**

(**) Term: **14 Years**

The ornamental design for a ring and cube head electric light fixture suitable for a track lighting system, as shown and described.

(21) Appl. No.: **29/266,880**

(22) Filed: **Sep. 29, 2006**

DESCRIPTION

(51) **LOC (8) Cl.** **26-05**

FIG. 1 is a front perspective view of the light fixture.

(52) **U.S. Cl.** **D26/63; D26/66**

FIG. 2 is a top view of the light fixture.

(58) **Field of Classification Search** D26/61,
D26/63-66, 72, 128; 362/238, 239, 287,
362/288, 306, 310, 311, 362, 640, 648; 439/122
See application file for complete search history.

FIG. 3 is a side view of the light fixture, the left and right side views of the light fixture being mirror images of one another; and,

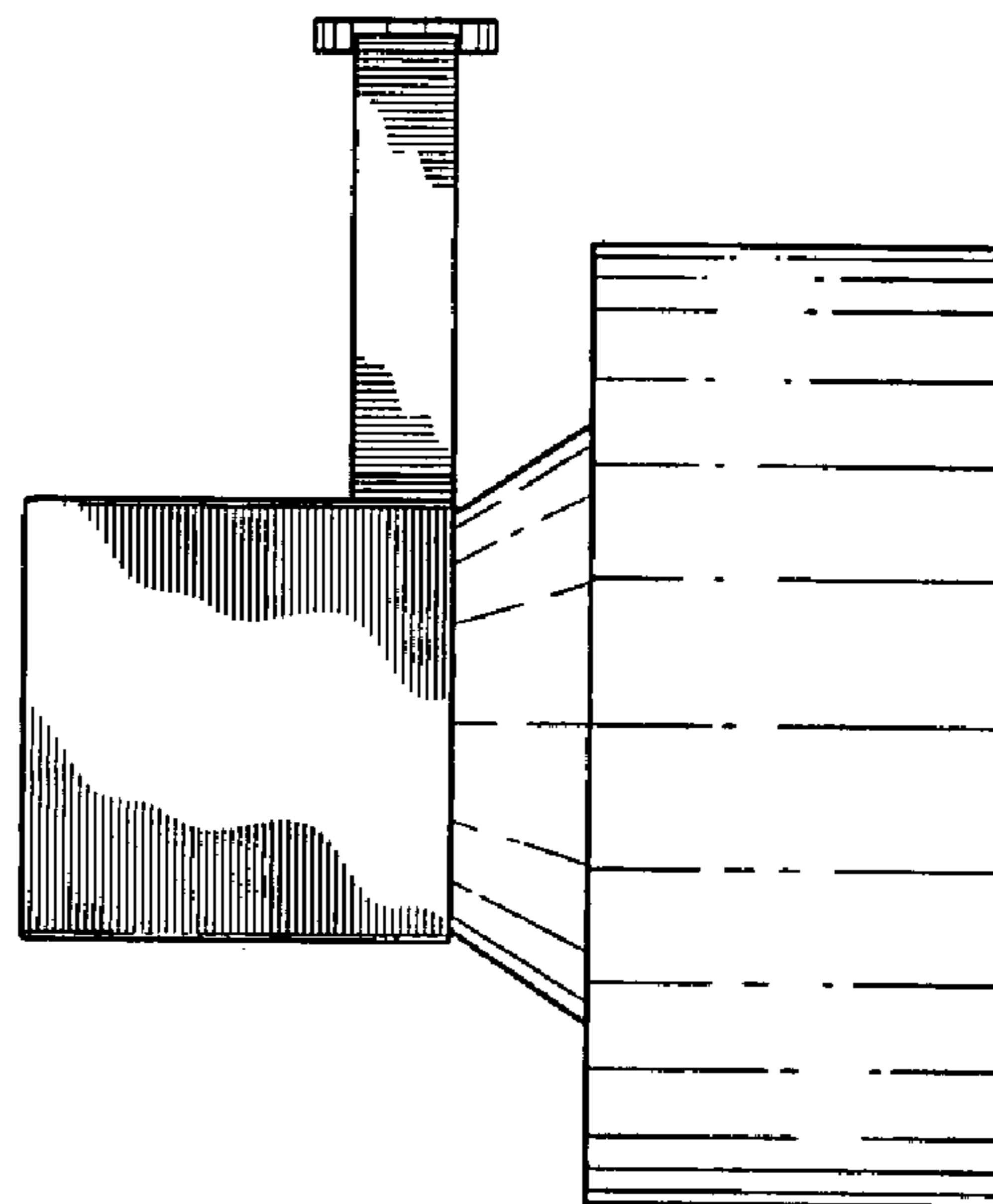
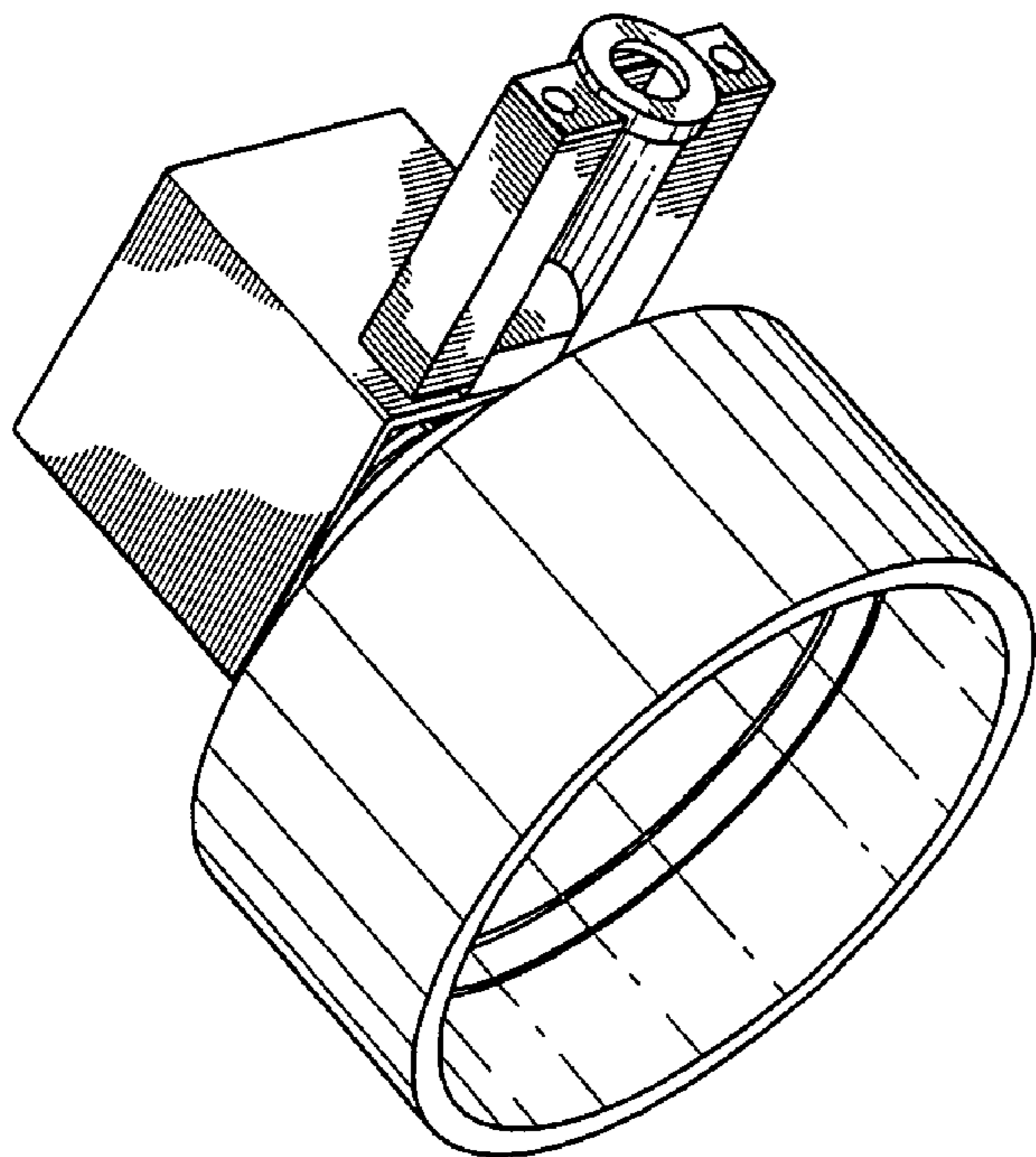
(56) **References Cited**

U.S. PATENT DOCUMENTS

D213,902 S * 4/1969 Muller D26/64
4,118,760 A * 10/1978 Cohon 362/239
D287,413 S * 12/1986 Kusmer et al. D26/65
4,814,955 A * 3/1989 Price 362/275

FIG. 4 is a front view of the light fixture, also showing a light bulb socket indicated in phantom and not claimed as a part of the ornamental design but included to show a functional part which may vary in appearance according to the type of light bulb expected to be inserted into the light fixture. The broken line showing of the light bulb socket is for illustrative purposes only and forms no part of the claimed design.

1 Claim, 1 Drawing Sheet



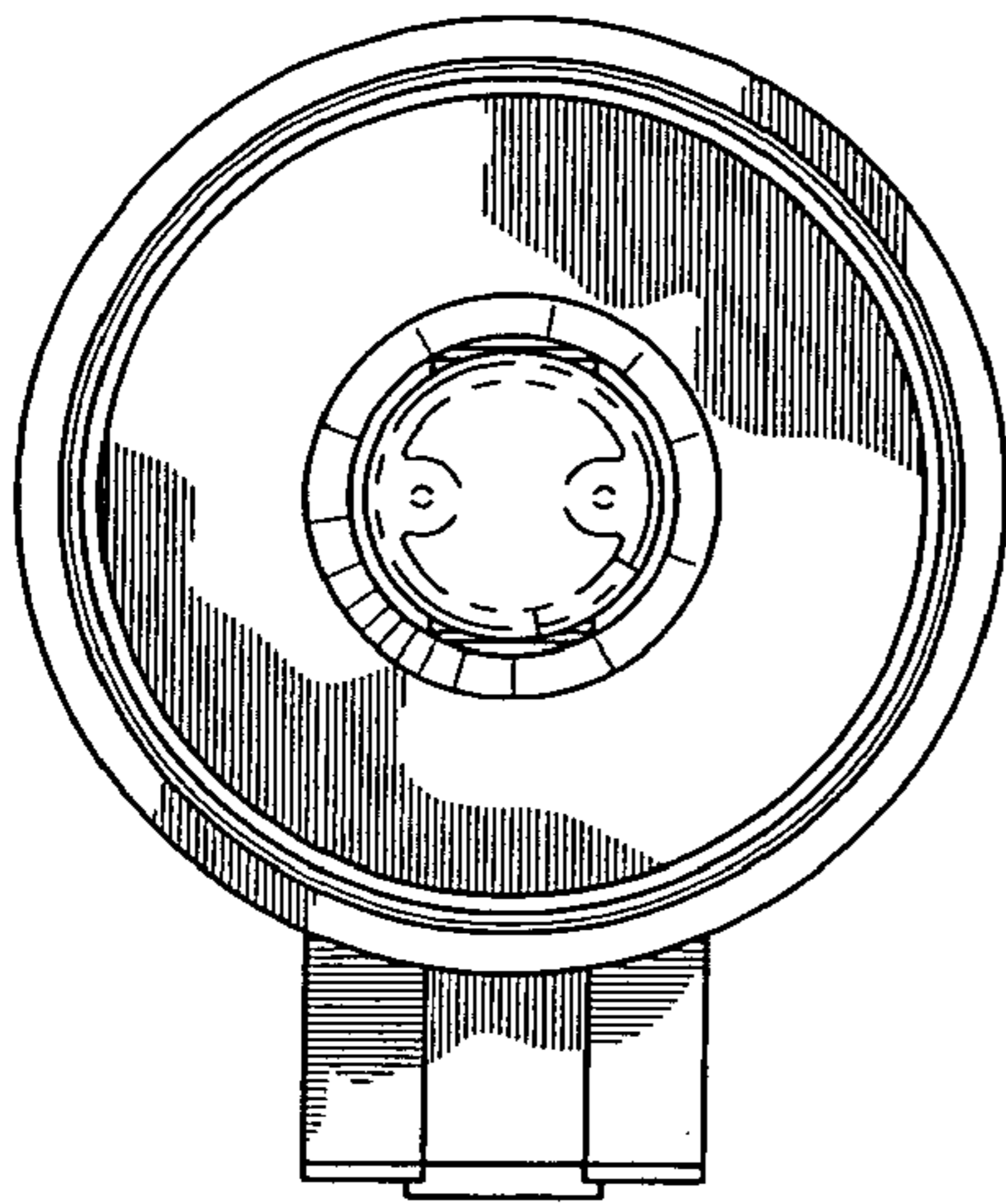


FIG. 4

FIG. 2

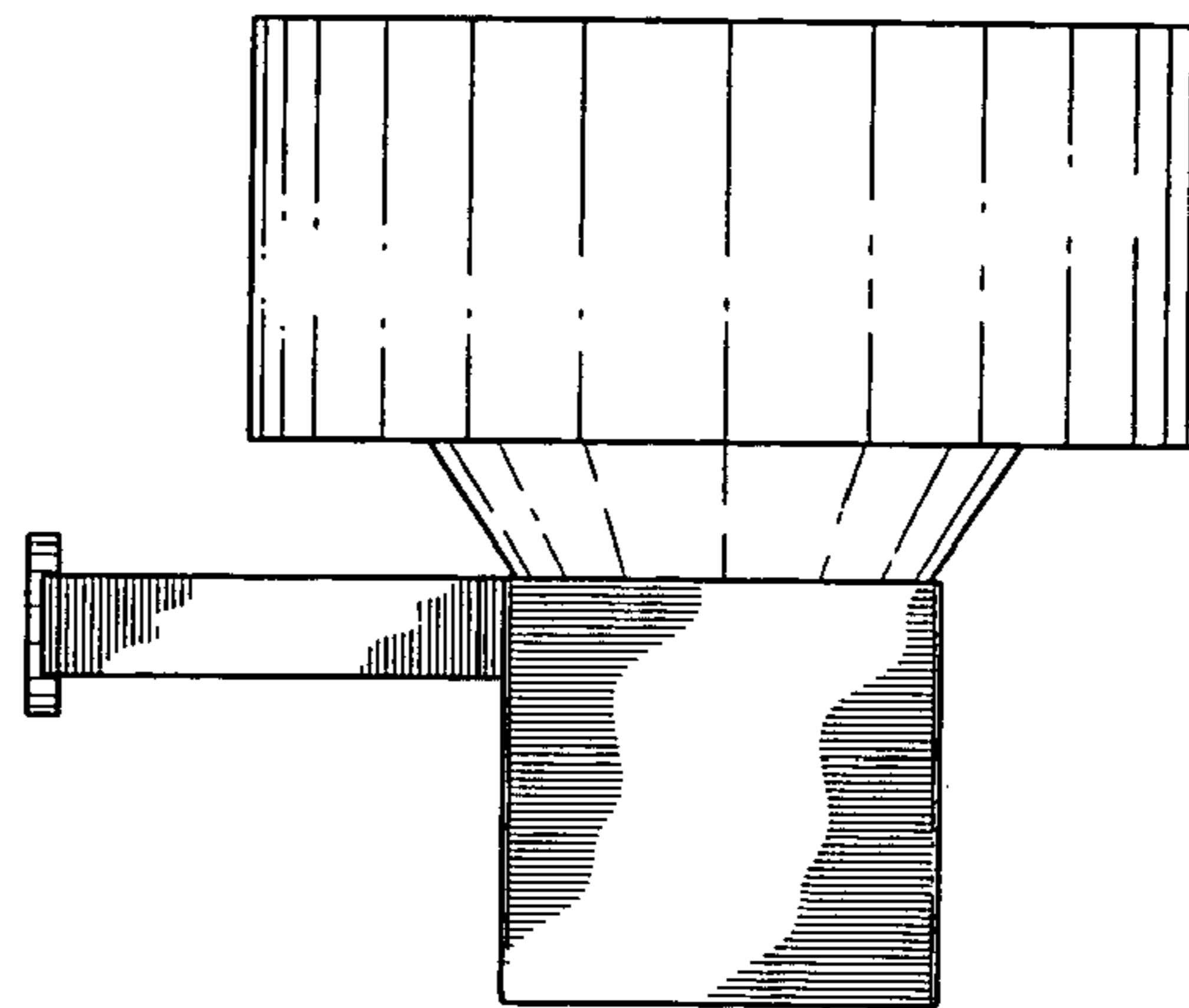
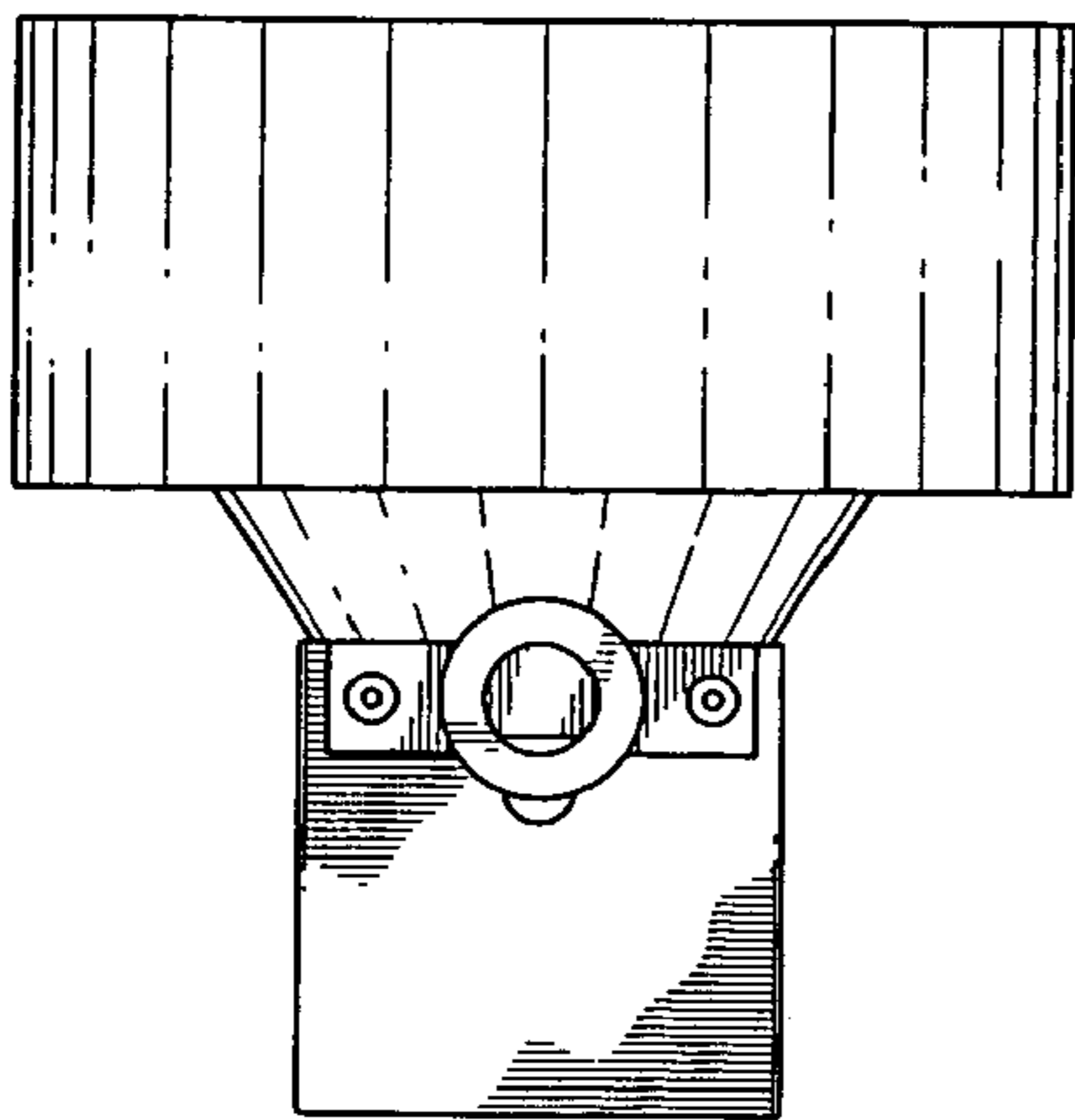


FIG. 3

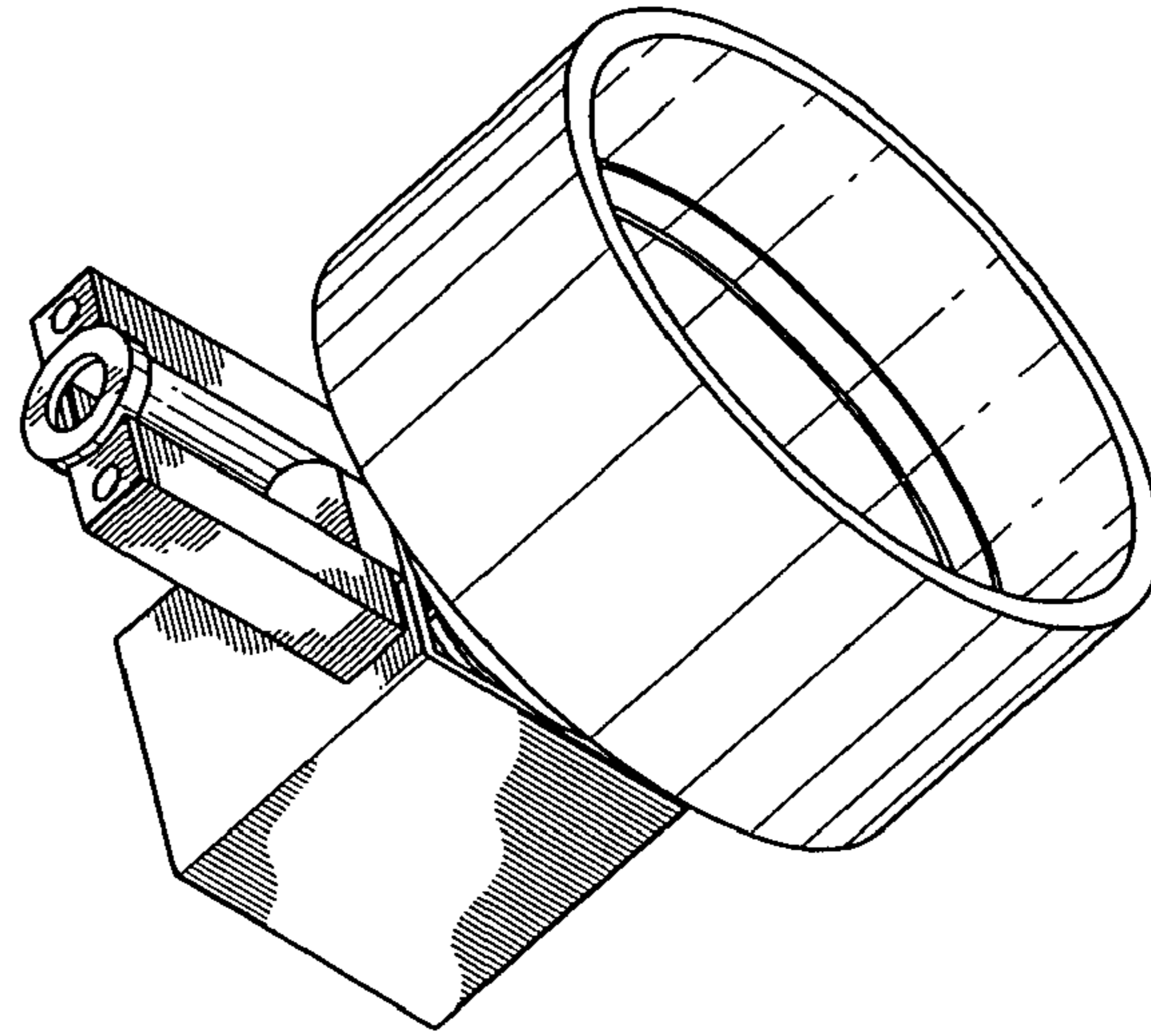


FIG. 1