



US00D546991S

(12) **United States Design Patent**  
**Poon**

(10) **Patent No.:** **US D546,991 S**

(45) **Date of Patent:** **\*\* Jul. 17, 2007**

(54) **LANTERN**

D524,968 S \* 7/2006 Poon ..... D26/40

(75) Inventor: **Tit Wing Poon**, Fo Tan (HK)

\* cited by examiner

(73) Assignee: **Flying Dragon Development Limited**,  
Fo Tan (HK)

*Primary Examiner*—Marcus A. Jackson

(74) *Attorney, Agent, or Firm*—Intellectual Property Law  
Group LLP; Otto O. Lee; Juneko C. Jackson

(\*\*) Term: **14 Years**

(21) Appl. No.: **29/249,871**

(22) Filed: **Oct. 24, 2006**

(57) **CLAIM**

The ornamental design for a lantern, as shown and  
described.

(30) **Foreign Application Priority Data**

**DESCRIPTION**

May 15, 2006 (HK) ..... 0601281.1

(51) **LOC (8) Cl.** ..... **26-02**

(52) **U.S. Cl.** ..... **D26/40**

(58) **Field of Classification Search** ..... D26/37–50,  
D26/40; 362/157, 158, 171–174, 183–208  
See application file for complete search history.

FIG. 1 is a top perspective view of a lantern embodying my  
new design;

FIG. 2 is a bottom perspective view thereof;

FIG. 3 is a front elevational view thereof;

FIG. 4 is a rear elevational view thereof;

FIG. 5 is a left side elevational view thereof;

FIG. 6 is a right side elevational view thereof.

FIG. 7 is a top plan view thereof; and,

FIG. 8 is a bottom plan view thereof.

(56) **References Cited**

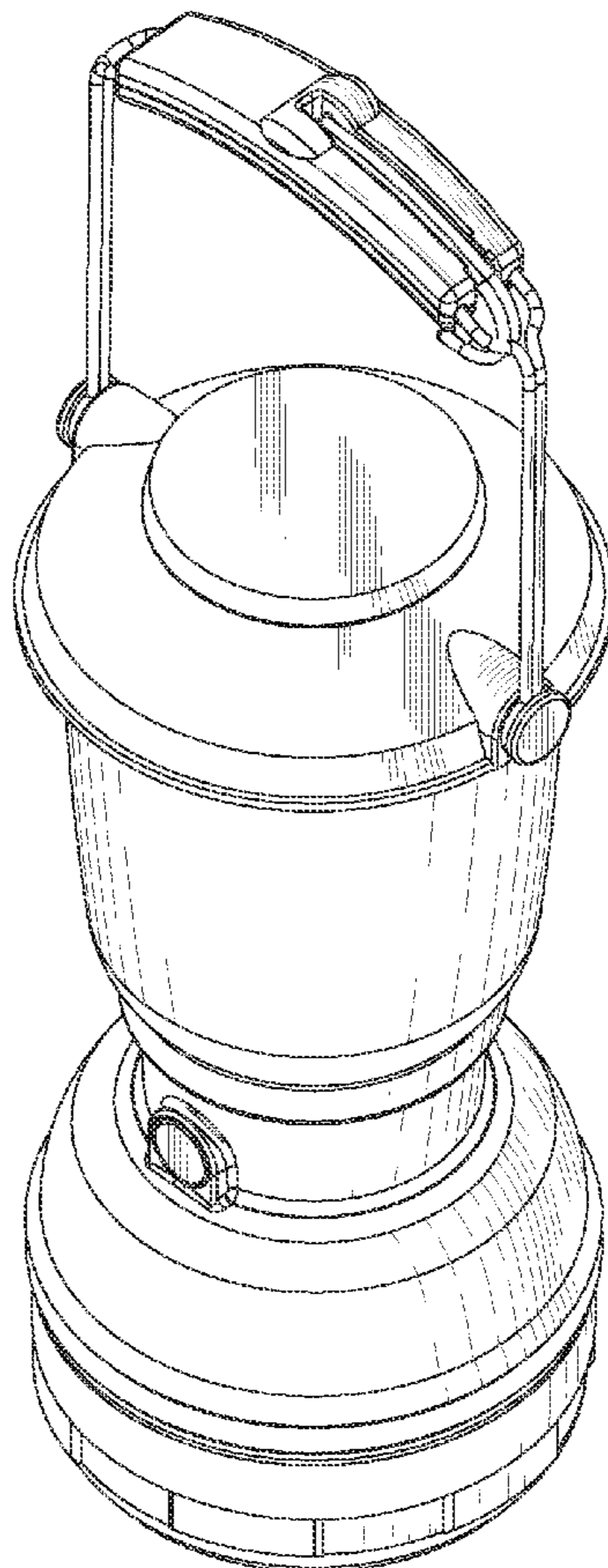
**U.S. PATENT DOCUMENTS**

D486,932 S \* 2/2004 Dario et al. .... D26/40

D487,809 S \* 3/2004 Leung et al. .... D26/40

D509,921 S \* 9/2005 Lam ..... D26/40

**1 Claim, 4 Drawing Sheets**



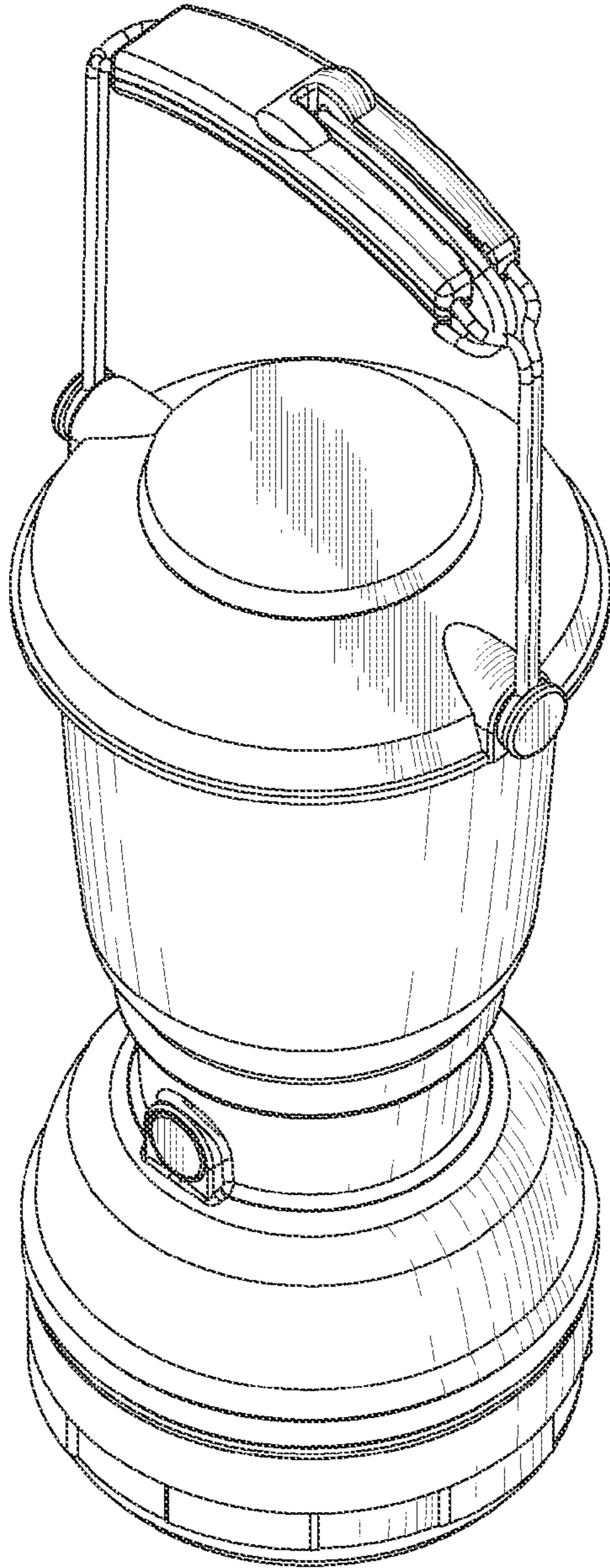


FIG. 1

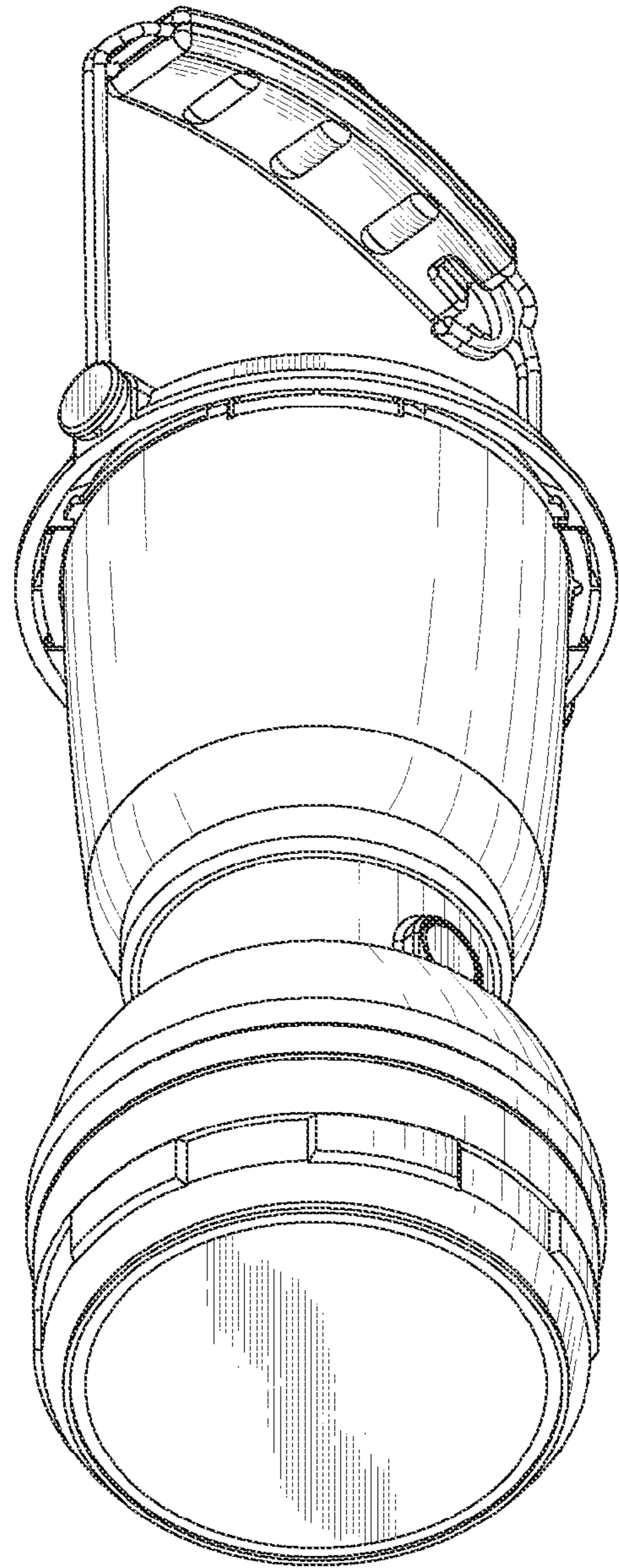


FIG. 2

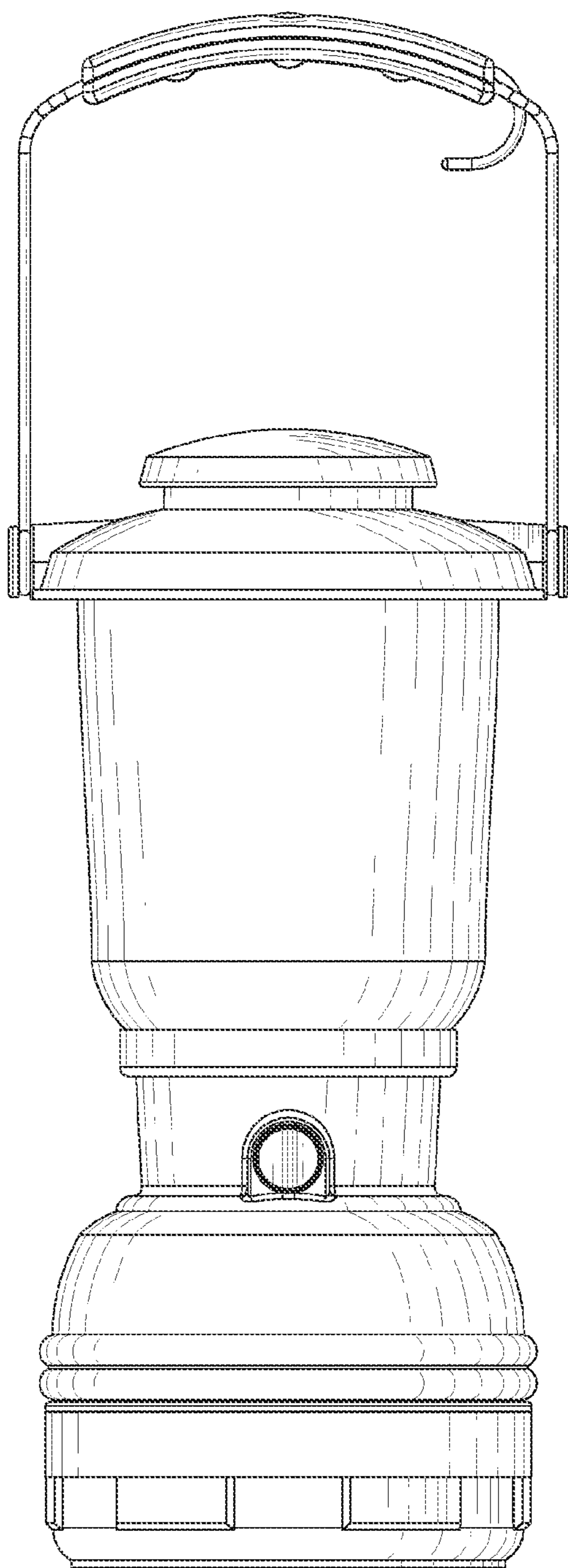


FIG. 3

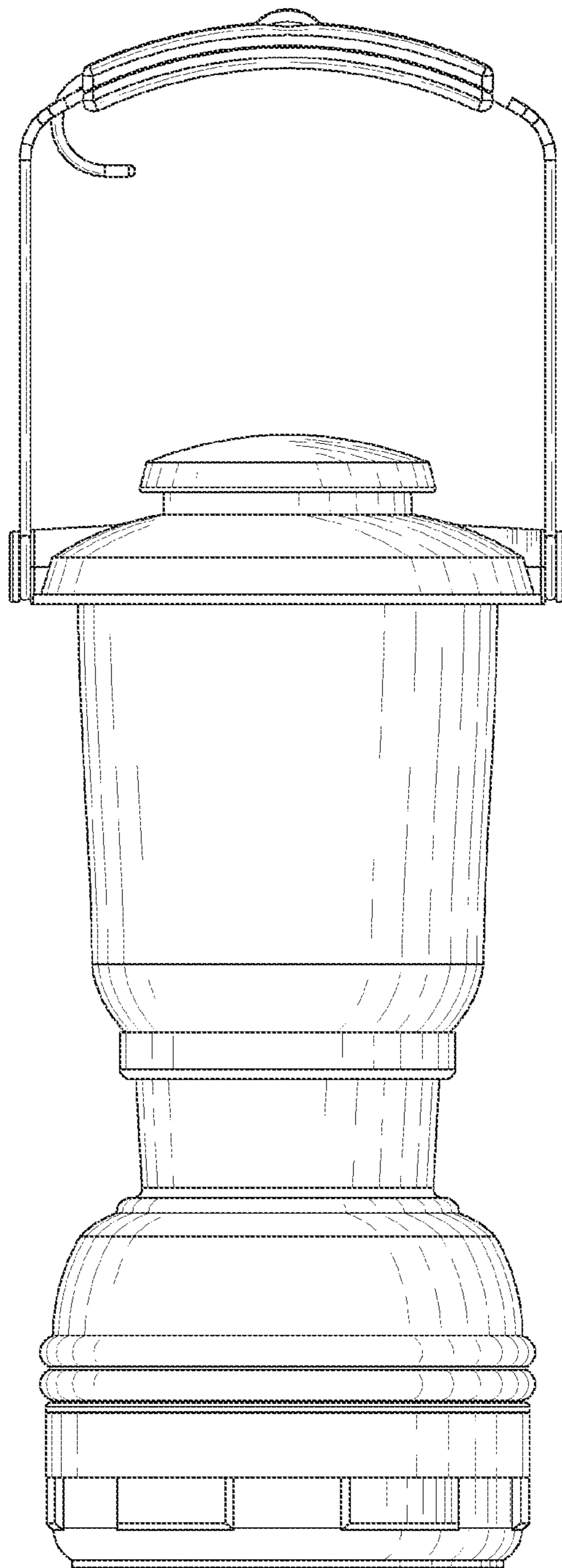


FIG. 4

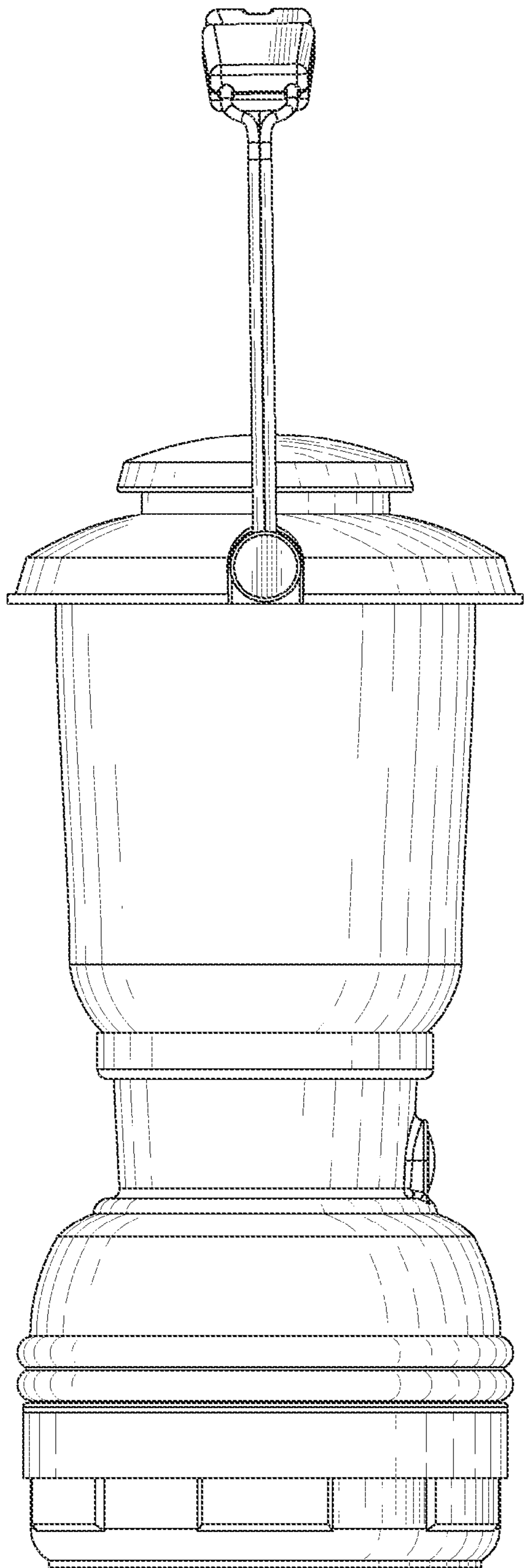


FIG. 5

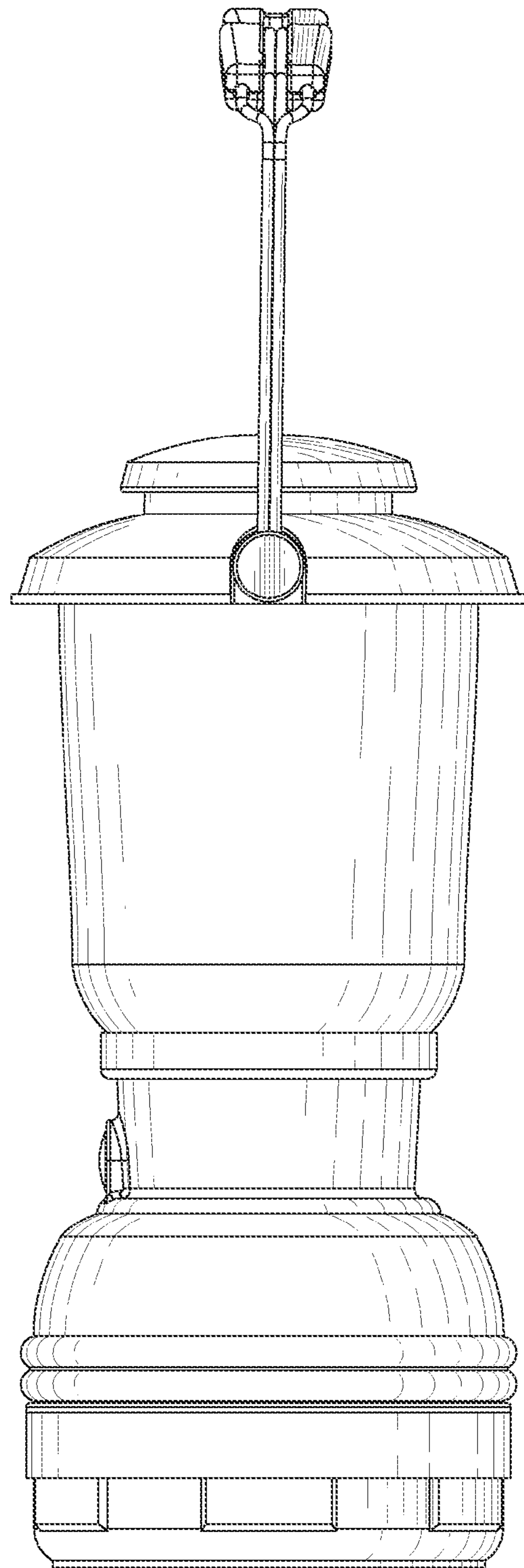
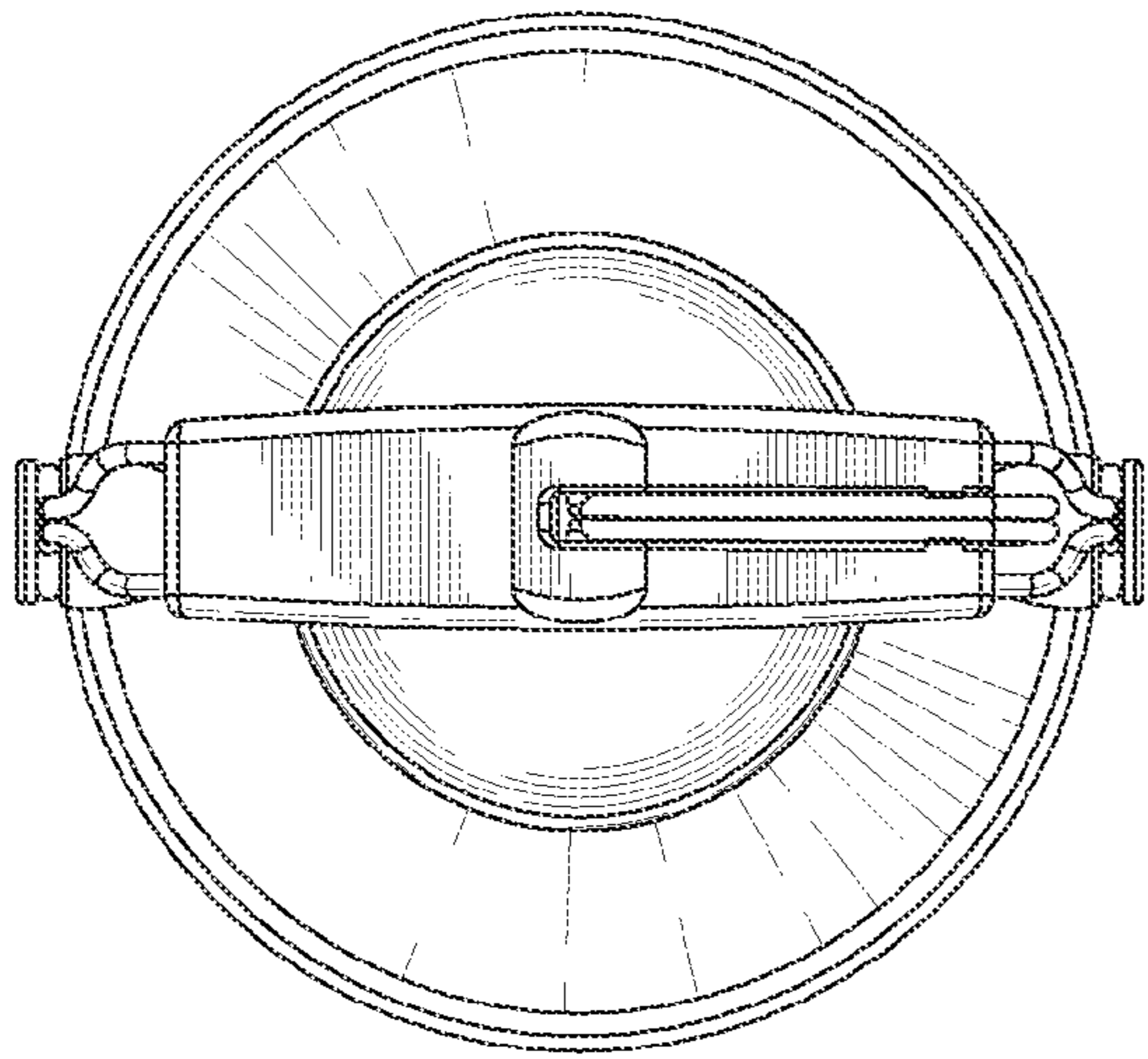
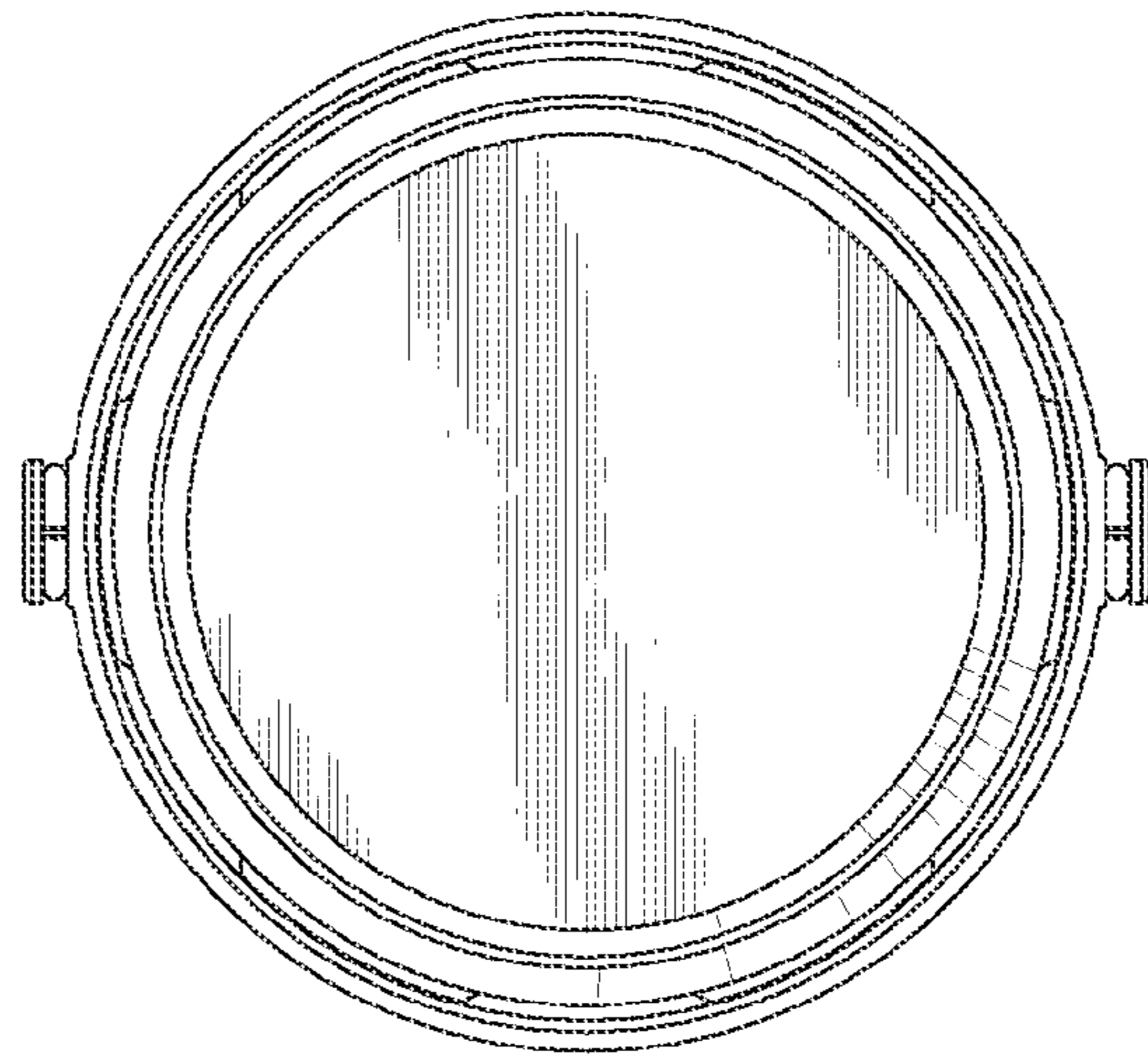


FIG. 6



*FIG. 7*



*FIG. 8*