



US00D546989S

(12) **United States Design Patent**
Chun

(10) **Patent No.:** **US D546,989 S**

(45) **Date of Patent:** **** Jul. 17, 2007**

(54) **ONE BUTTON REMOTE CONTROL WITH FLASHLIGHT**

(76) Inventor: **James K. Chun**, 2102 F Walsh Ave., Santa Clara, CA (US) 95050

(**) Term: **14 Years**

(21) Appl. No.: **29/241,780**

(22) Filed: **Oct. 31, 2005**

(51) **LOC (8) Cl.** **26-02**

(52) **U.S. Cl.** **D26/37**

(58) **Field of Classification Search** D26/35, D26/37, 46, 26, 38, 51, 28, 42, 65, 30, 104, D26/110, 123, 124, 133, 134, 140, 144; D14/218; D13/168; D24/136; 362/188, 189, 553, 362/557, 167, 572, 196, 197, 200, 205, 204, 362/208, 214, 652, 259, 267, 270, 295, 338, 362/340, 457, 458

See application file for complete search history.

(56) **References Cited**

U.S. PATENT DOCUMENTS

D346,152 S *	4/1994	Zaugg	D13/168
D360,481 S *	7/1995	Hung	D26/46
D390,678 S *	2/1998	Matthes	D26/37
D422,081 S *	3/2000	Wolff	D24/136
D434,512 S *	11/2000	Yuen	D26/37

6,270,234 B1 *	8/2001	Au-Yeung	362/189
D457,974 S *	5/2002	Piepgas et al.	D26/26
D497,019 S *	10/2004	Lee	D26/37
D501,266 S *	1/2005	Harris et al.	D26/37
D502,928 S *	3/2005	Chun	D13/168
D509,611 S *	9/2005	Chou	D26/37
D526,076 S *	8/2006	Krieger et al.	D26/37

* cited by examiner

Primary Examiner—Ian Simmons

Assistant Examiner—Carissa Fitts

(74) *Attorney, Agent, or Firm*—Dean A. Craine

(57) **CLAIM**

The ornamental design for a one button remote control with flashlight, as shown and described.

DESCRIPTION

FIG. 1 is a perspective view of a one button remote control with flashlight showing my new design.

FIG. 2 is a left side elevational view of the invention.

FIG. 3 is a right side elevational view of the invention.

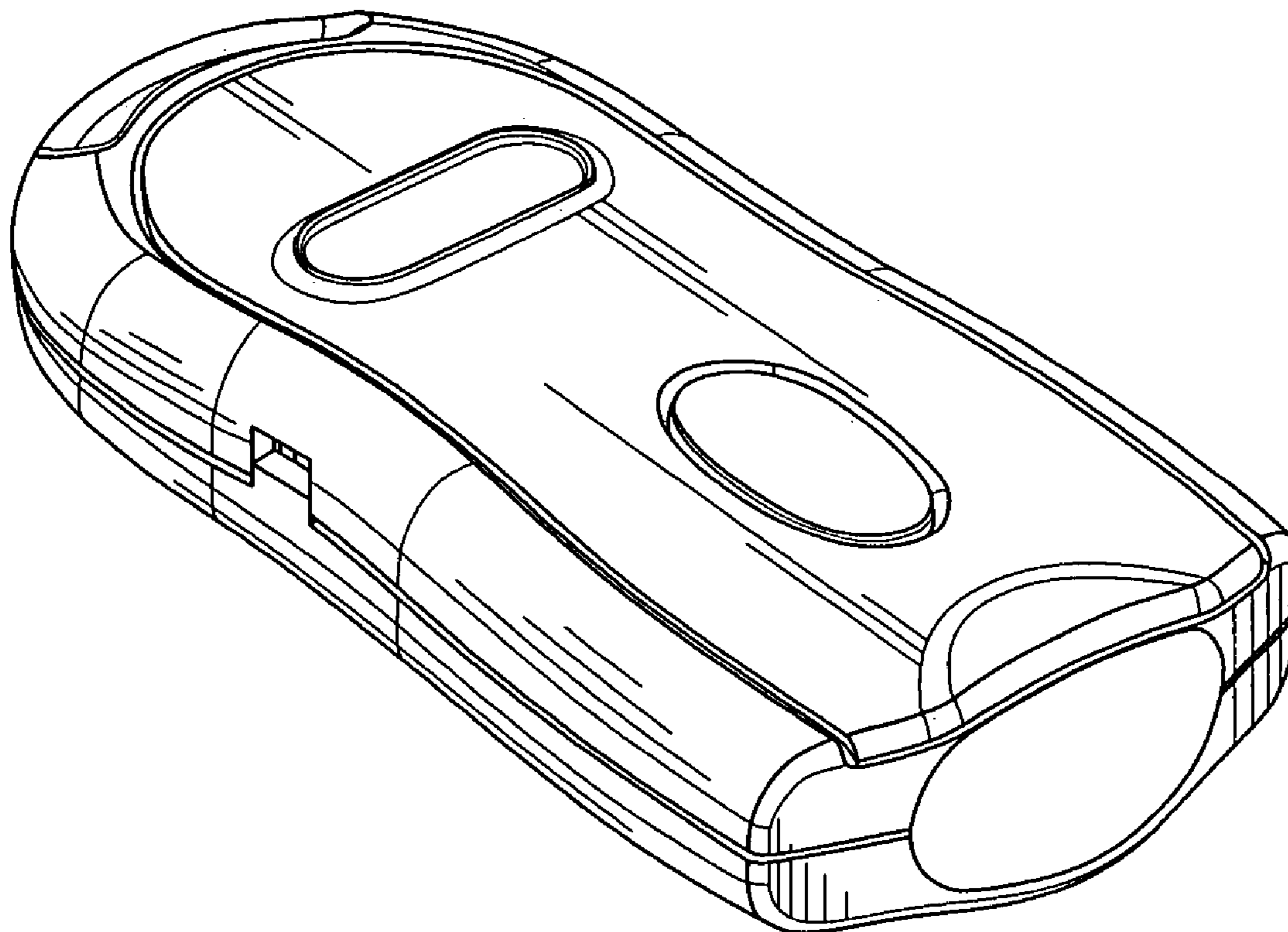
FIG. 4 is a front elevational view of the invention.

FIG. 5 is a rear elevational view of the invention.

FIG. 6 is a top plan view of the invention; and,

FIG. 7 is a bottom plan view of the invention.

1 Claim, 2 Drawing Sheets



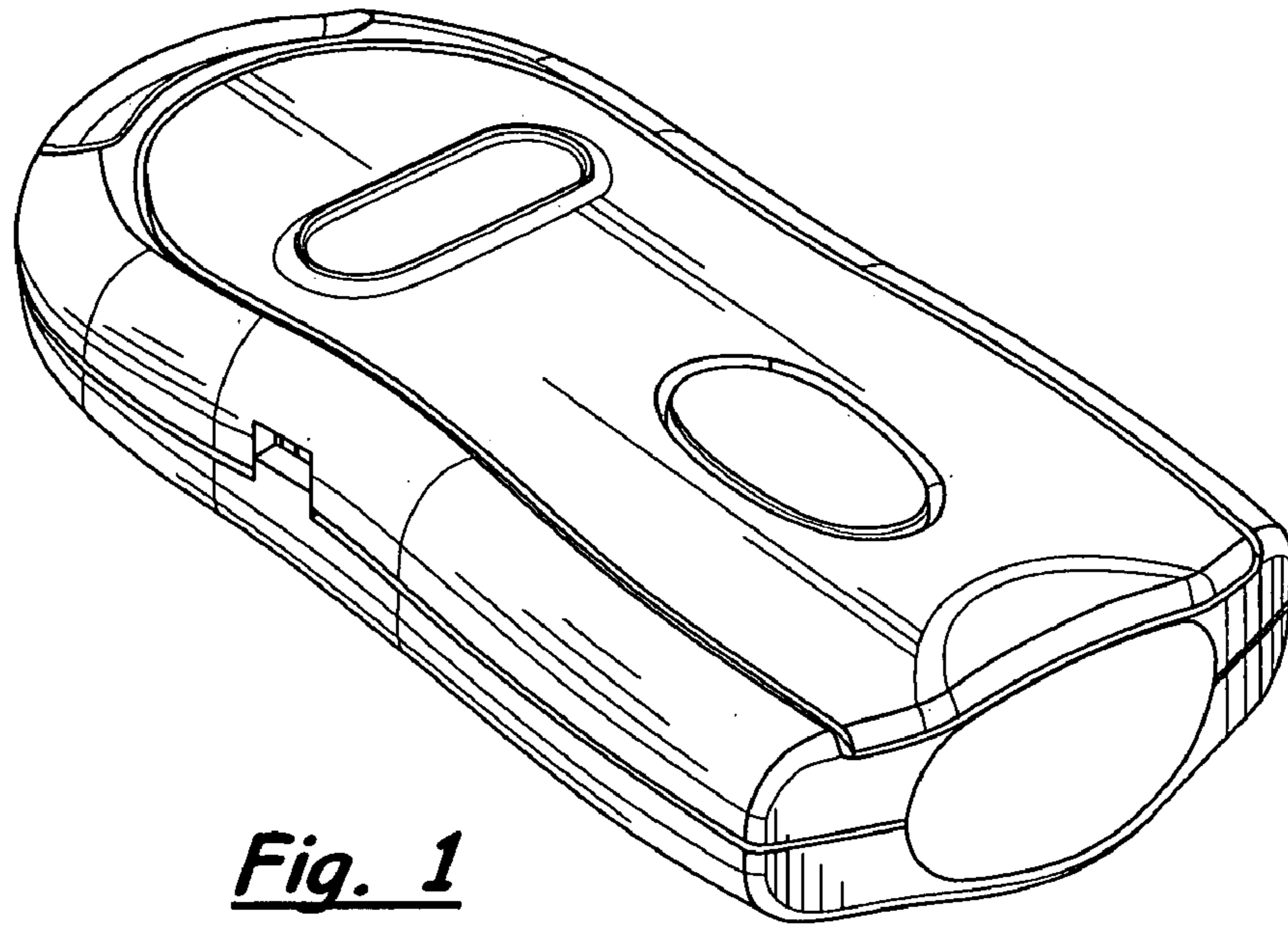


Fig. 1

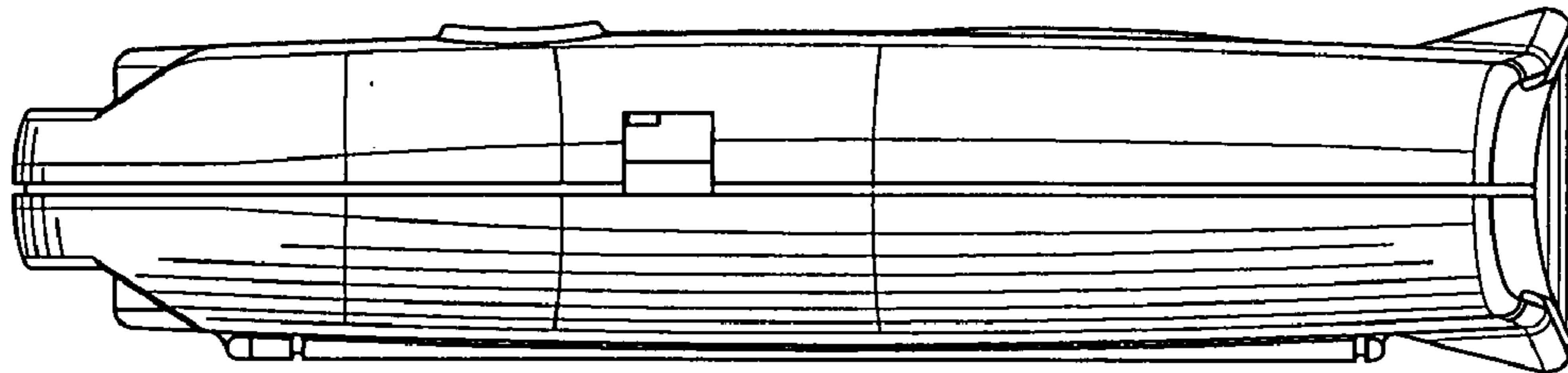


Fig. 2

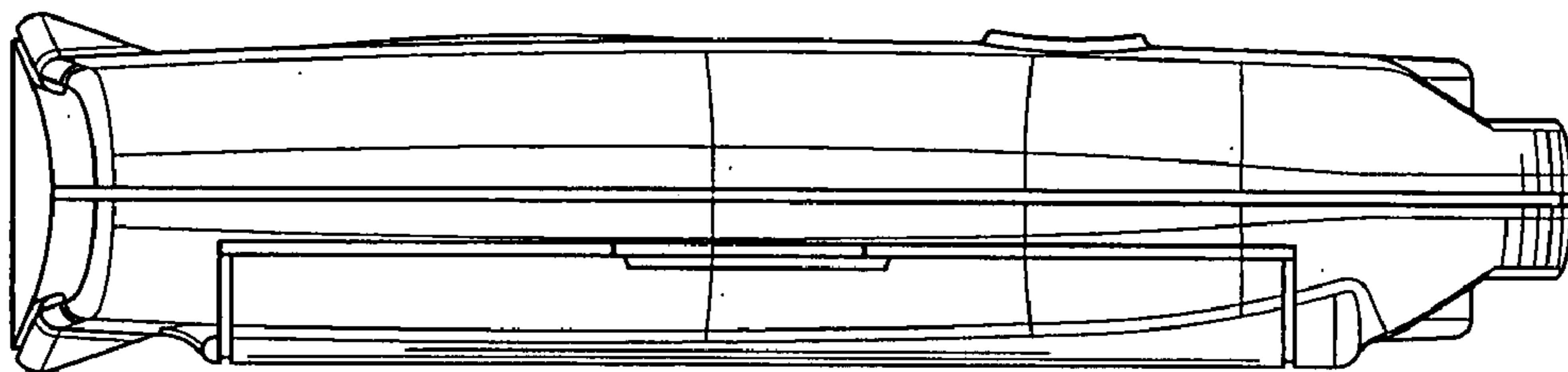


Fig. 3

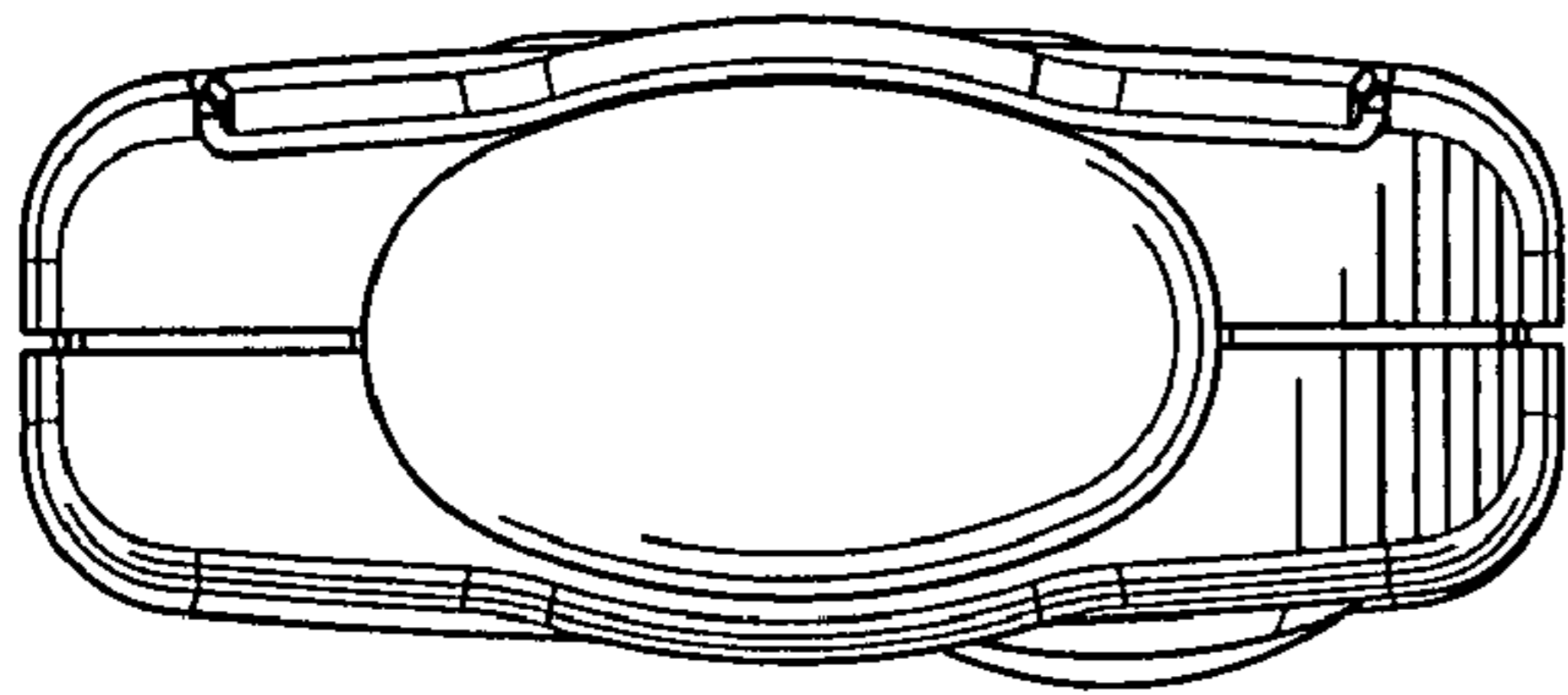


Fig. 4

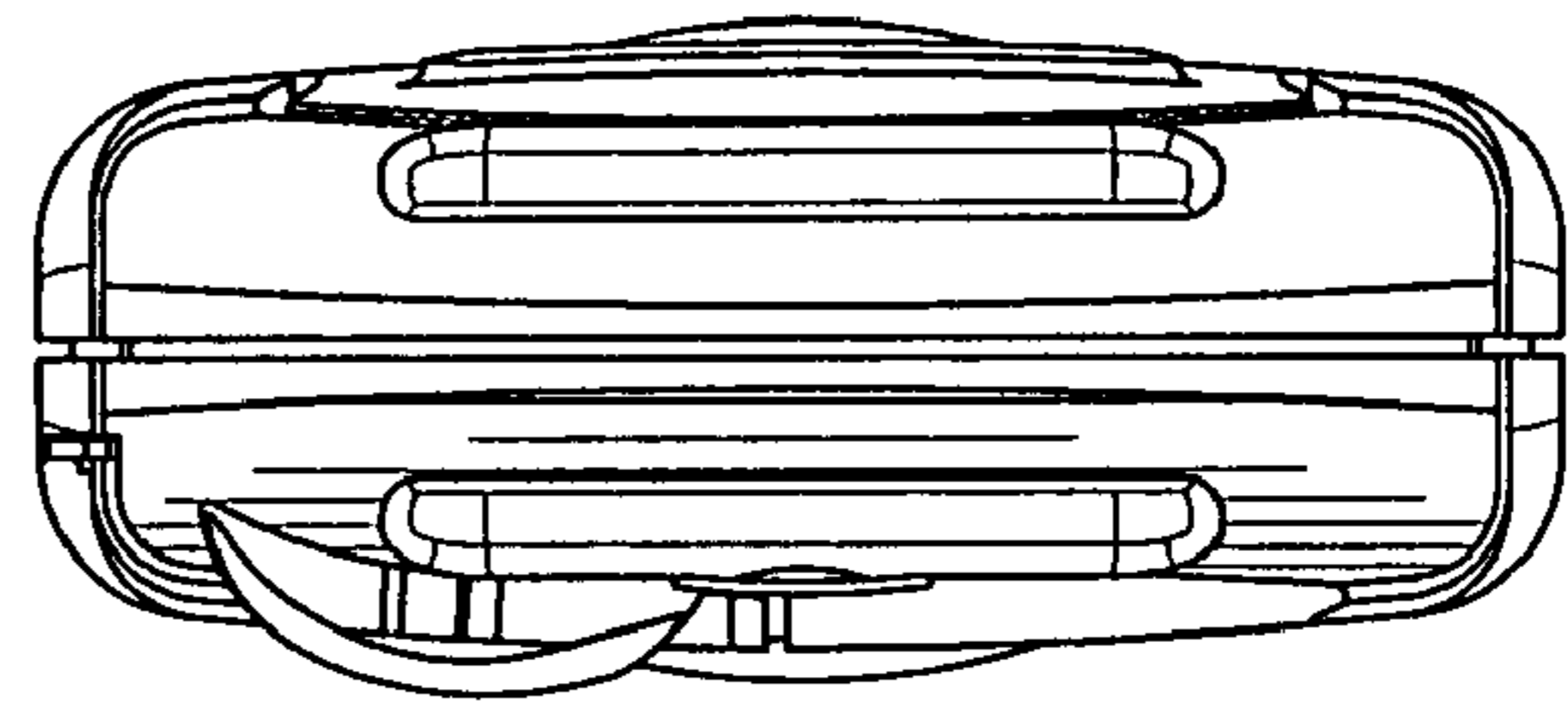


Fig. 5

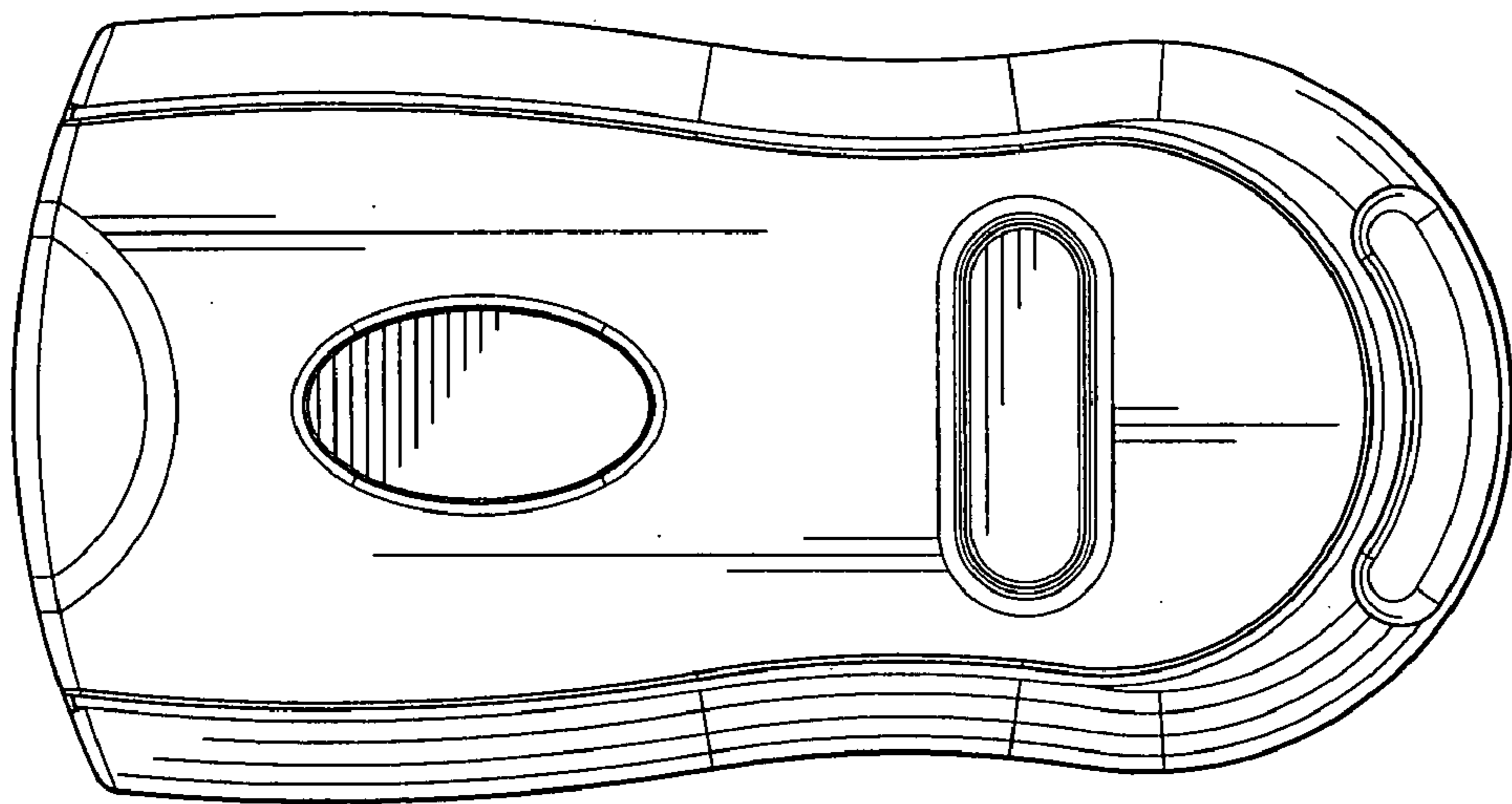


Fig. 6

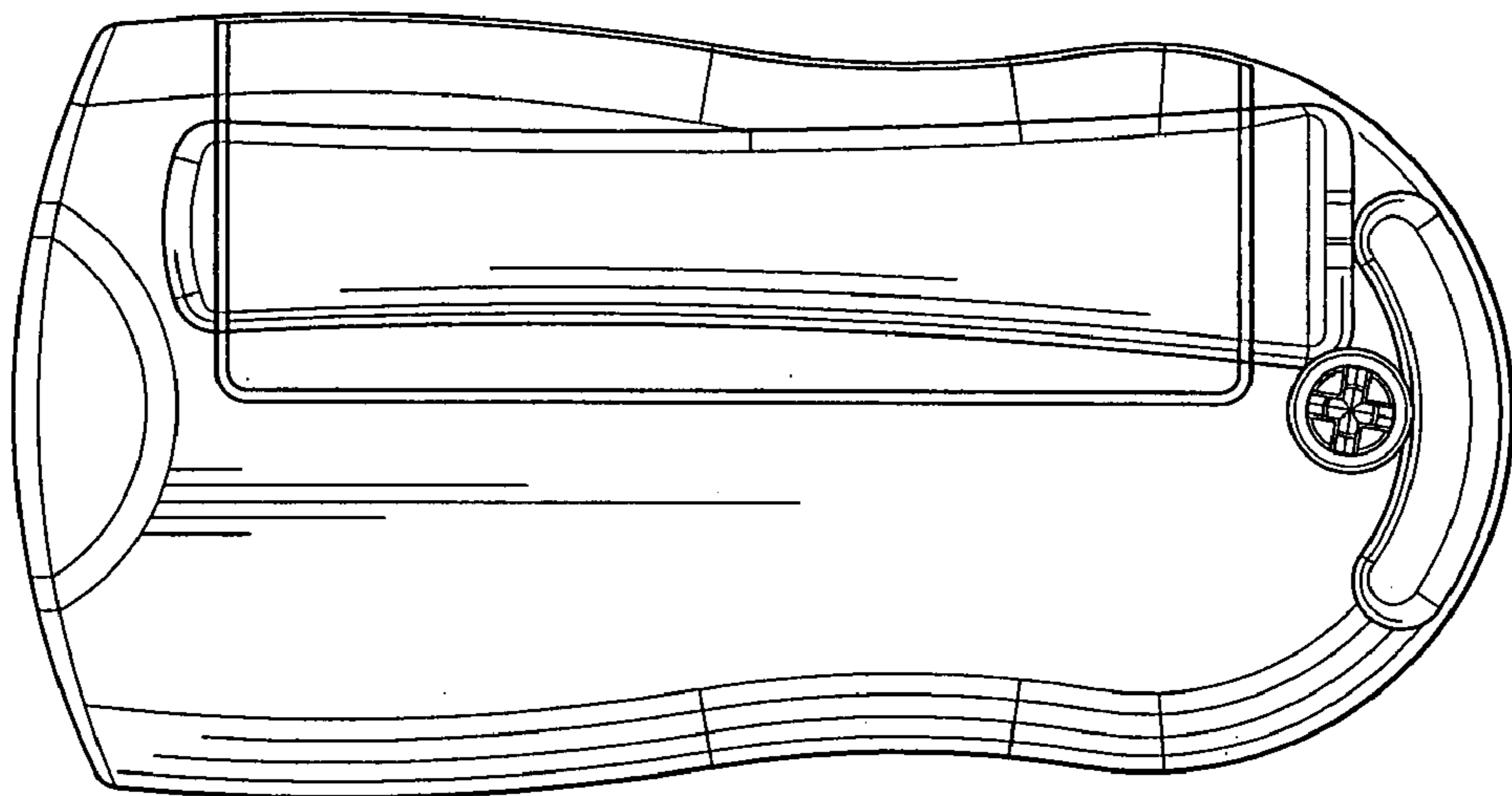


Fig. 7