



US00D546985S

(12) **United States Design Patent** (10) **Patent No.:** **US D546,985 S**
Hoshikawa et al. (45) **Date of Patent:** **** Jul. 17, 2007**

(54) **LED LAMP**

(75) Inventors: **Kiyotoshi Hoshikawa**, Tokyo (JP);
Kanji Tajima, Tokyo (JP); **Yutaka Hirasawa**, Tokyo (JP)

(73) Assignee: **Moriyama Sangyo Kabushiki Kaisha**, Tokyo (JP)

(**) Term: **14 Years**

(21) Appl. No.: **29/269,582**

(22) Filed: **Dec. 4, 2006**

Related U.S. Application Data

(63) Continuation-in-part of application No. 29/226,652, filed on Mar. 31, 2005.

(51) **LOC (8) Cl.** **26-04**

(52) **U.S. Cl.** **D26/25; D26/3**

(58) **Field of Classification Search** D26/3,
D26/24-5, 27, 31, 76; D20/12; D13/180;
40/550; 362/236, 238, 249, 252
See application file for complete search history.

(56) **References Cited**

U.S. PATENT DOCUMENTS

D244,561	S *	5/1977	Dacal	D26/24
D441,884	S *	5/2001	Moriyama et al.	D26/25
6,386,733	B1 *	5/2002	Ohkohdo et al.	362/249
6,422,716	B2 *	7/2002	Henrici et al.	362/249
6,478,449	B2 *	11/2002	Lee et al.	362/249
D477,093	S *	7/2003	Moriyama et al.	D26/3
D477,094	S *	7/2003	Moriyama et al.	D26/3
6,682,205	B2 *	1/2004	Lin	362/249
D493,004	S *	7/2004	Hoshikawa et al.	D26/3
D505,663	S *	5/2005	Moriyama et al.	D13/180
D506,274	S *	6/2005	Moriyama et al.	D26/3
2002/0149933	A1 *	10/2002	Archer et al.	362/234

2002/0149935	A1 *	10/2002	Lee et al.	362/249
2003/0053307	A1 *	3/2003	Talamo et al.	362/153.1
2003/0193801	A1 *	10/2003	Lin	362/249

* cited by examiner

Primary Examiner—Alan P. Douglas

Assistant Examiner—Angela J. Lee

(74) *Attorney, Agent, or Firm*—Marshall & Melhorn LLC

(57) **CLAIM**

The ornamental design for an LED lamp, as shown and described.

DESCRIPTION

FIG. 1 is a perspective view of an LED lamp showing our new design;

FIG. 1A is an enlarged view of the portion of FIG. 1 shown in the view circle 1A of FIG. 1;

FIG. 2 is a top view thereof;

FIG. 2A is an enlarged view of the portion of FIG. 2 shown in the view circle 2A of FIG. 2;

FIG. 3 is a front view thereof, a rear view being a mirror image thereof;

FIG. 4 is a bottom view thereof;

FIG. 5 is a right side view thereof;

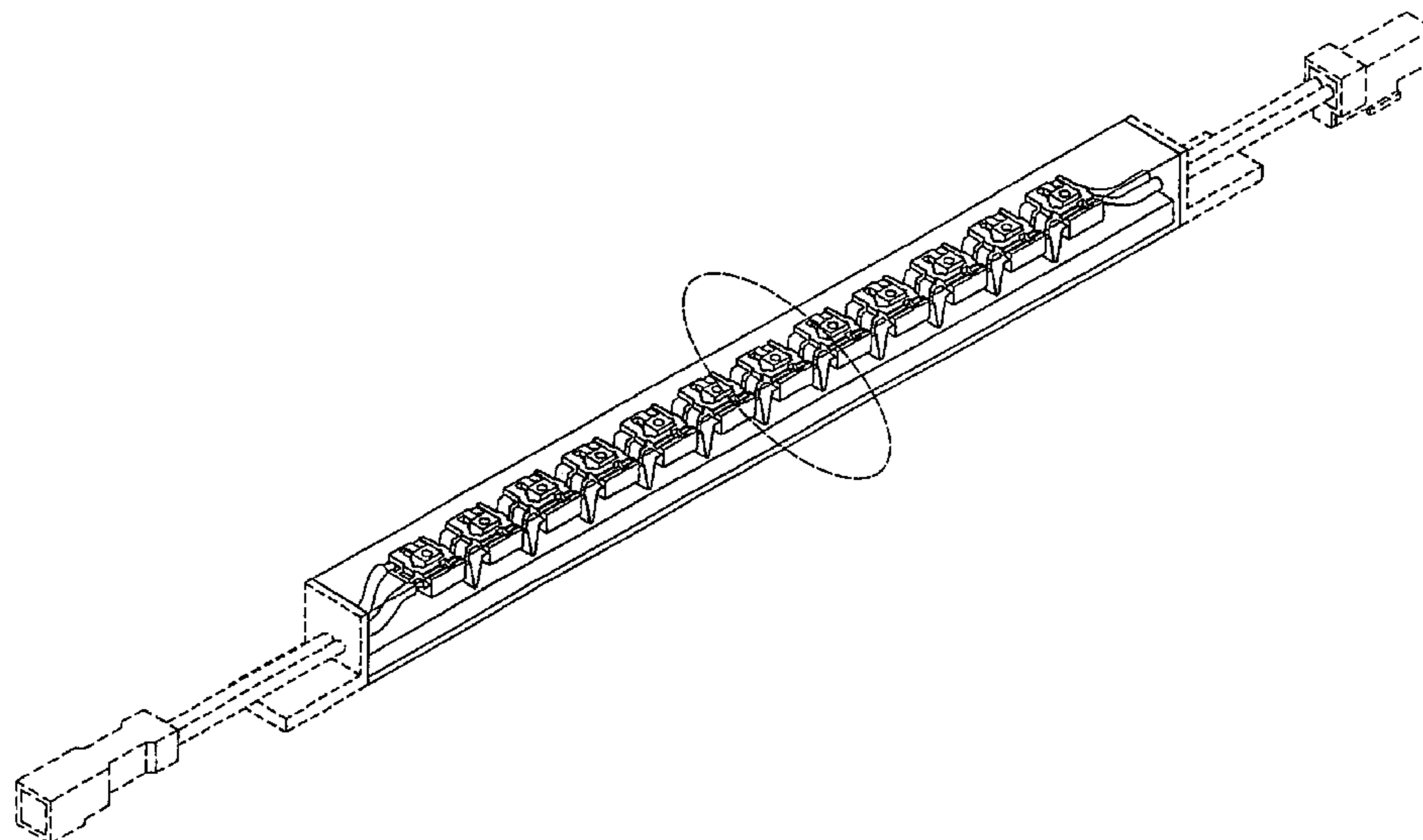
FIG. 6 is a left side view thereof;

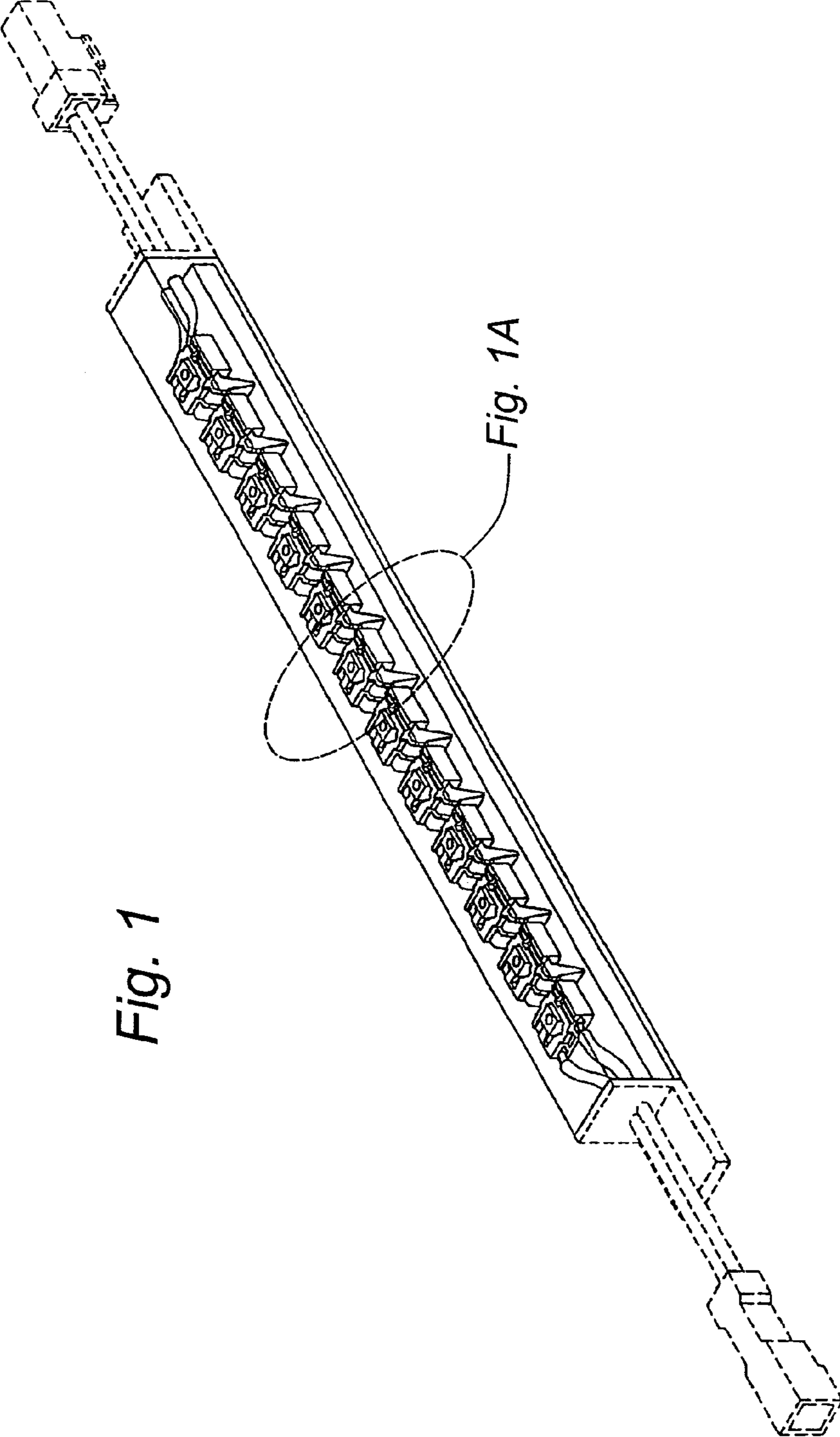
FIG. 7 is an enlarged cross-sectional view thereof taken along the line VII—VII in FIG. 2; and,

FIG. 8 is an enlarged front view of a portion indicated by arrow VIII in FIG. 3.

FIG. 1 shows connector members being attached on either end. The broken line showing of the connector members in FIG. 1 is included for the purpose of illustrating end attachments and forms no part of the claimed design.

1 Claim, 5 Drawing Sheets





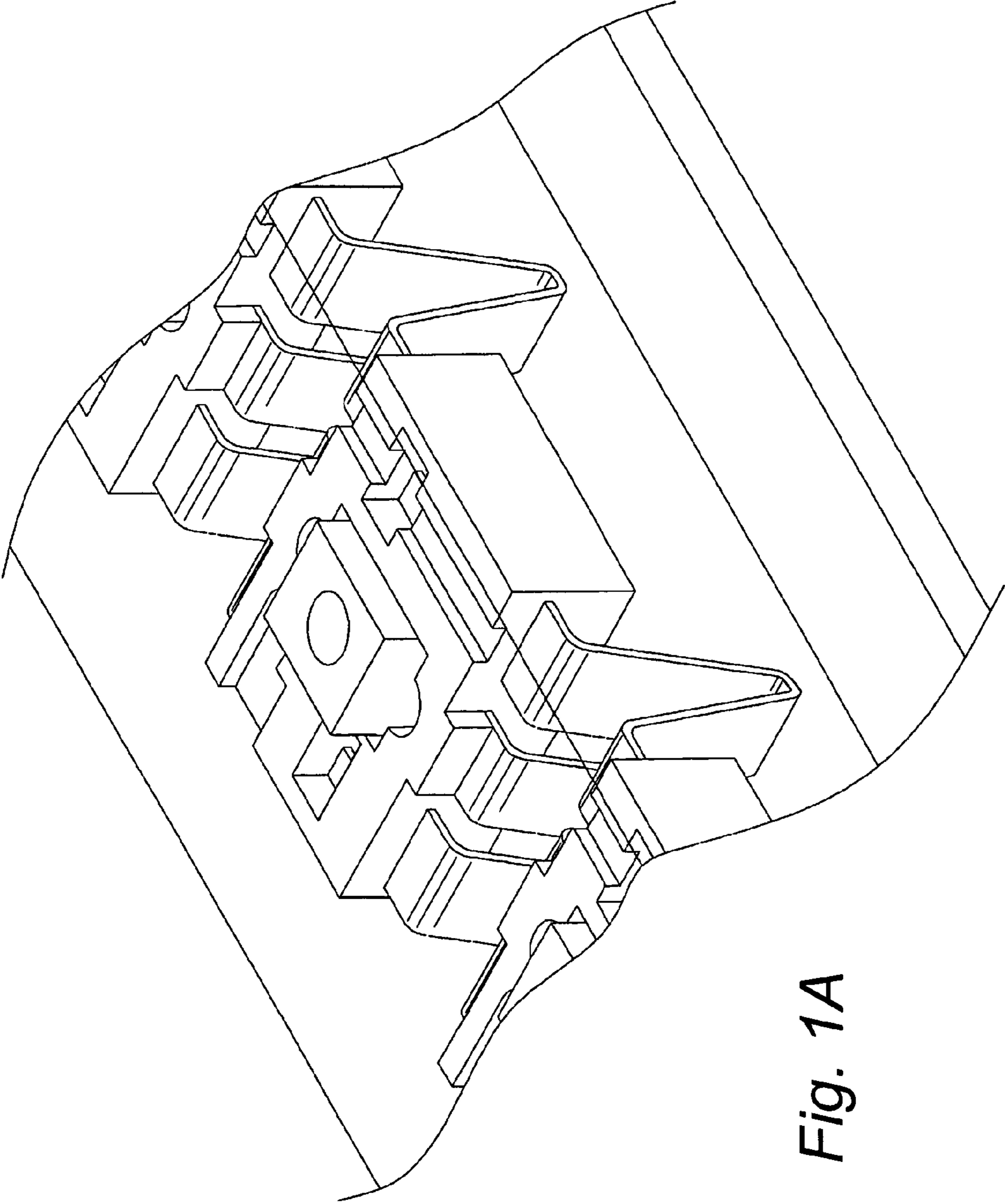


Fig. 1A

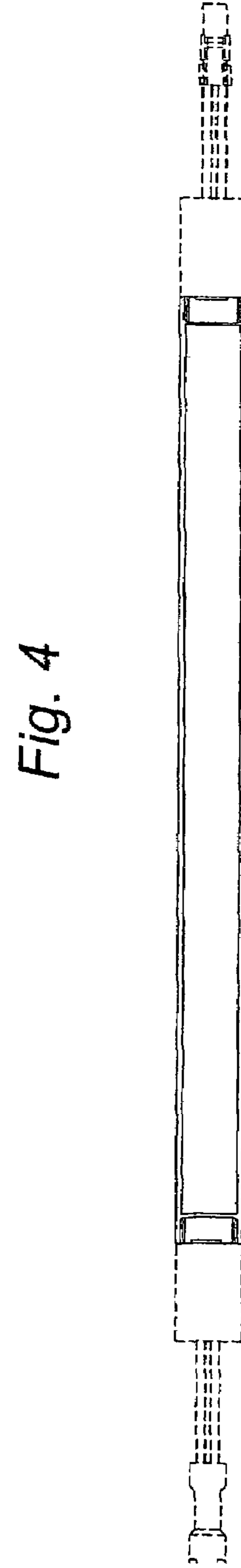
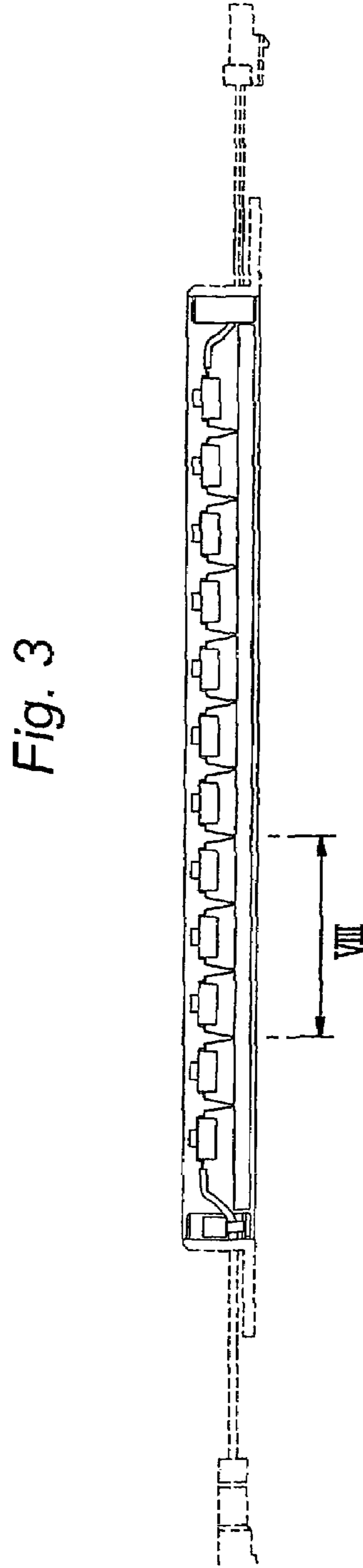
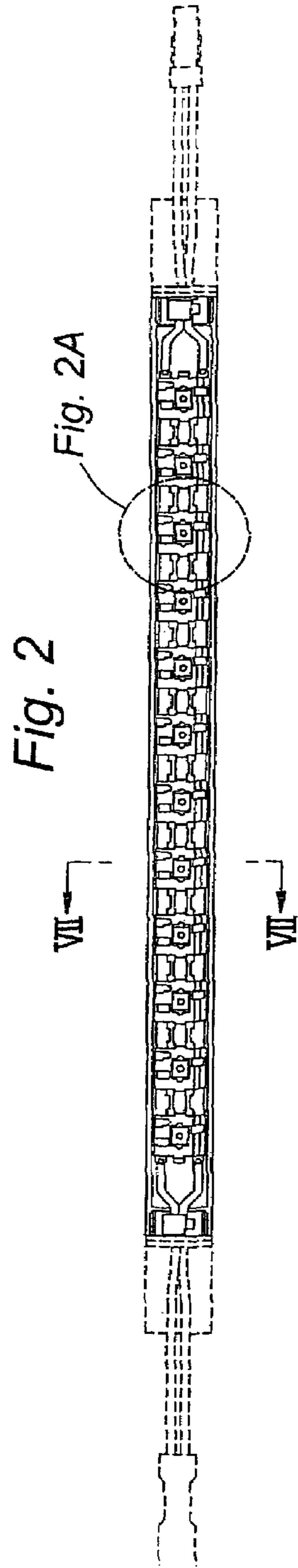


Fig. 2A

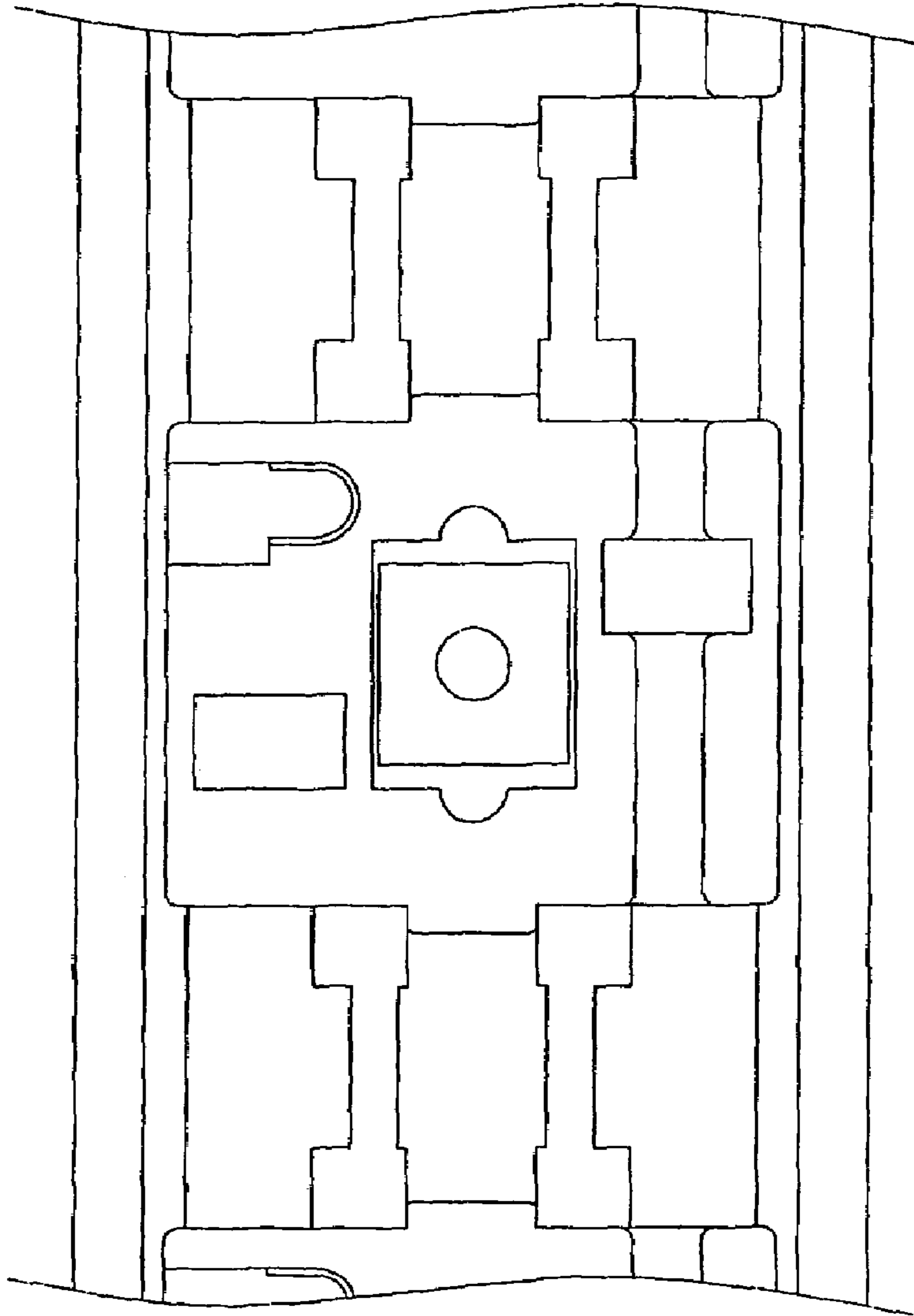


Fig. 5



Fig. 6



Fig. 7

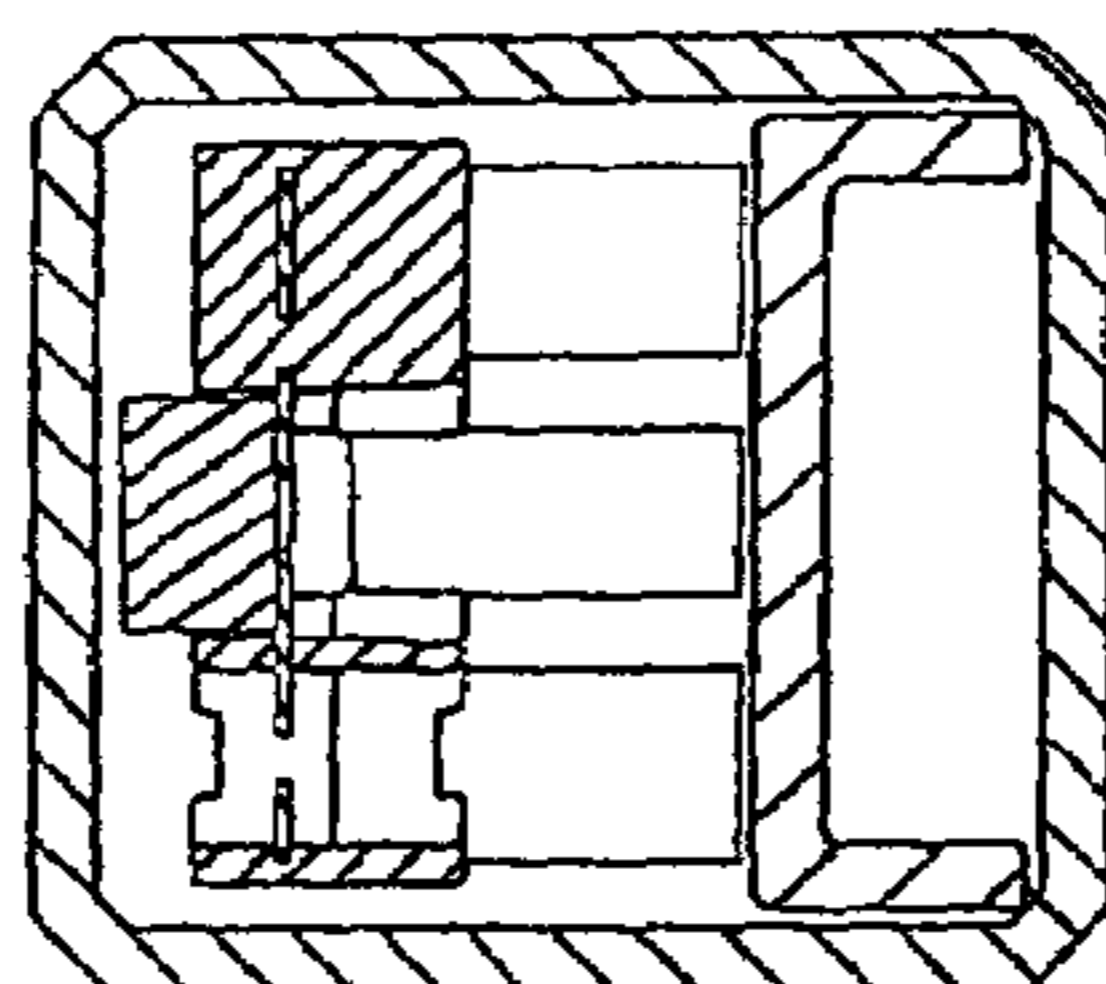


Fig. 8

