



US00D546984S

(12) **United States Design Patent**  
**Zou**

(10) **Patent No.:** **US D546,984 S**

(45) **Date of Patent:** **\*\* Jul. 17, 2007**

(54) **CANDLESTICK USEABLE WITH A RECHARGEABLE LIGHT**

*Primary Examiner*—Louis S. Zarfas

*Assistant Examiner*—Greg Andoll

(74) *Attorney, Agent, or Firm*—Edward P. Dutkiewicz

(76) **Inventor:** **Cindy Zou**, 2331 Finlandia La., #37,  
Clearwater, FL (US) 33763

(\*\*) **Term:** **14 Years**

(57) **CLAIM**

(21) **Appl. No.:** **29/269,349**

The ornamental design for a candlestick useable with a rechargeable light, as shown and described.

(22) **Filed:** **Nov. 29, 2006**

(51) **LOC (8) Cl.** ..... **26-01**

(52) **U.S. Cl.** ..... **D26/20; D26/11; D26/22**

(58) **Field of Classification Search** ..... D26/9,  
D26/11, 22; 362/161

See application file for complete search history.

**DESCRIPTION**

(56) **References Cited**

**U.S. PATENT DOCUMENTS**

|               |         |          |       |         |
|---------------|---------|----------|-------|---------|
| D46,319 S *   | 8/1914  | Sanford  | ..... | D26/9   |
| 3,473,014 A * | 10/1969 | Kayne    | ..... | 362/161 |
| D281,911 S *  | 12/1985 | Williams | ..... | D26/11  |
| D434,862 S *  | 12/2000 | Fait     | ..... | D26/9   |
| D522,150 S *  | 5/2006  | Belcher  | ..... | D26/9   |

FIG. 1 is a front elevational view of a candlestick useable with a rechargeable light showing my new design.

FIG. 2 is a back elevational view.

FIG. 3 is a left side elevational view.

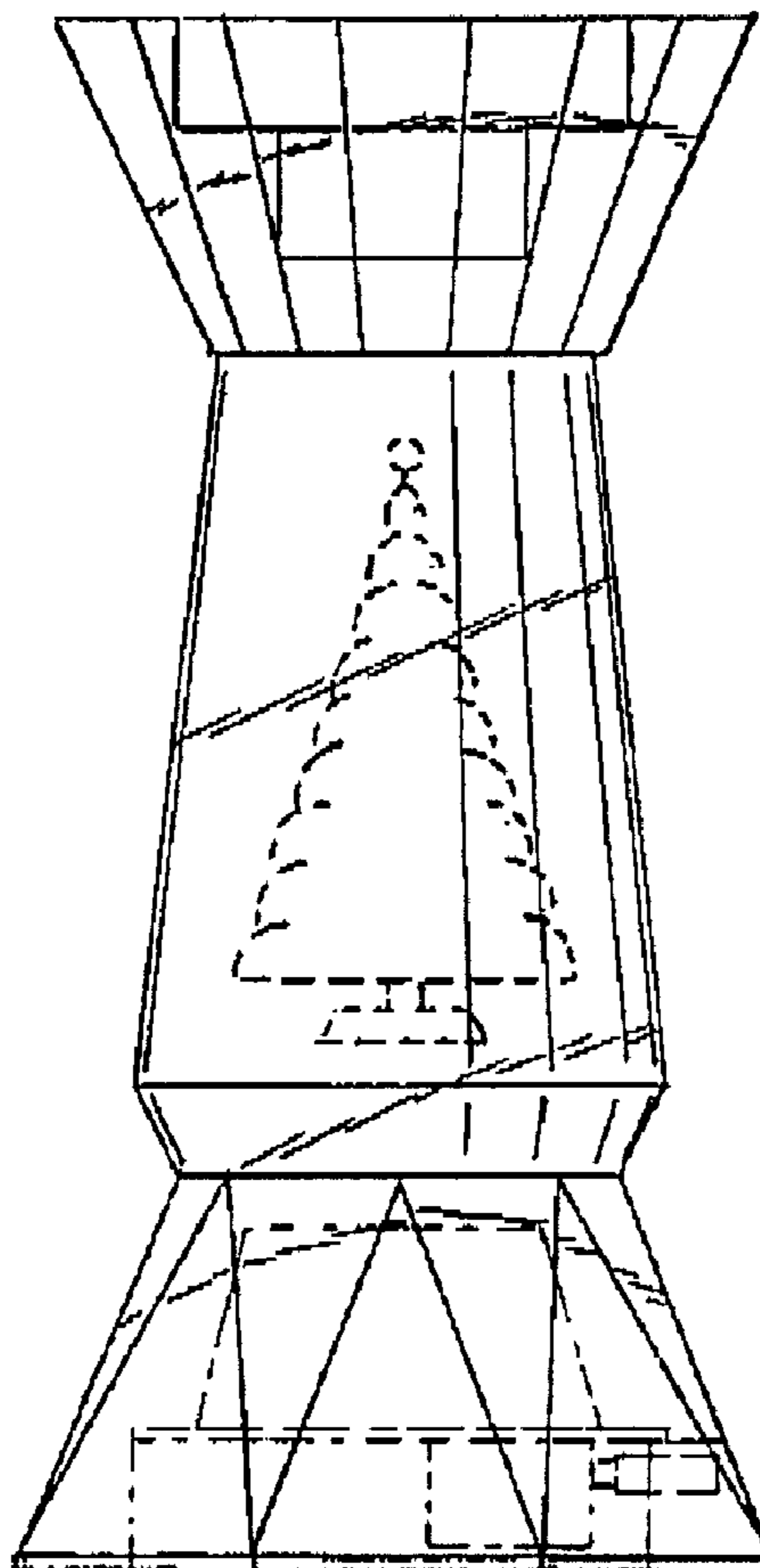
FIG. 4 is a right side elevational view; and,

FIG. 5 is a top plan view.

The broken line showings in the drawings are for illustrative purposes only and form no part of the claimed design.

\* cited by examiner

**1 Claim, 3 Drawing Sheets**



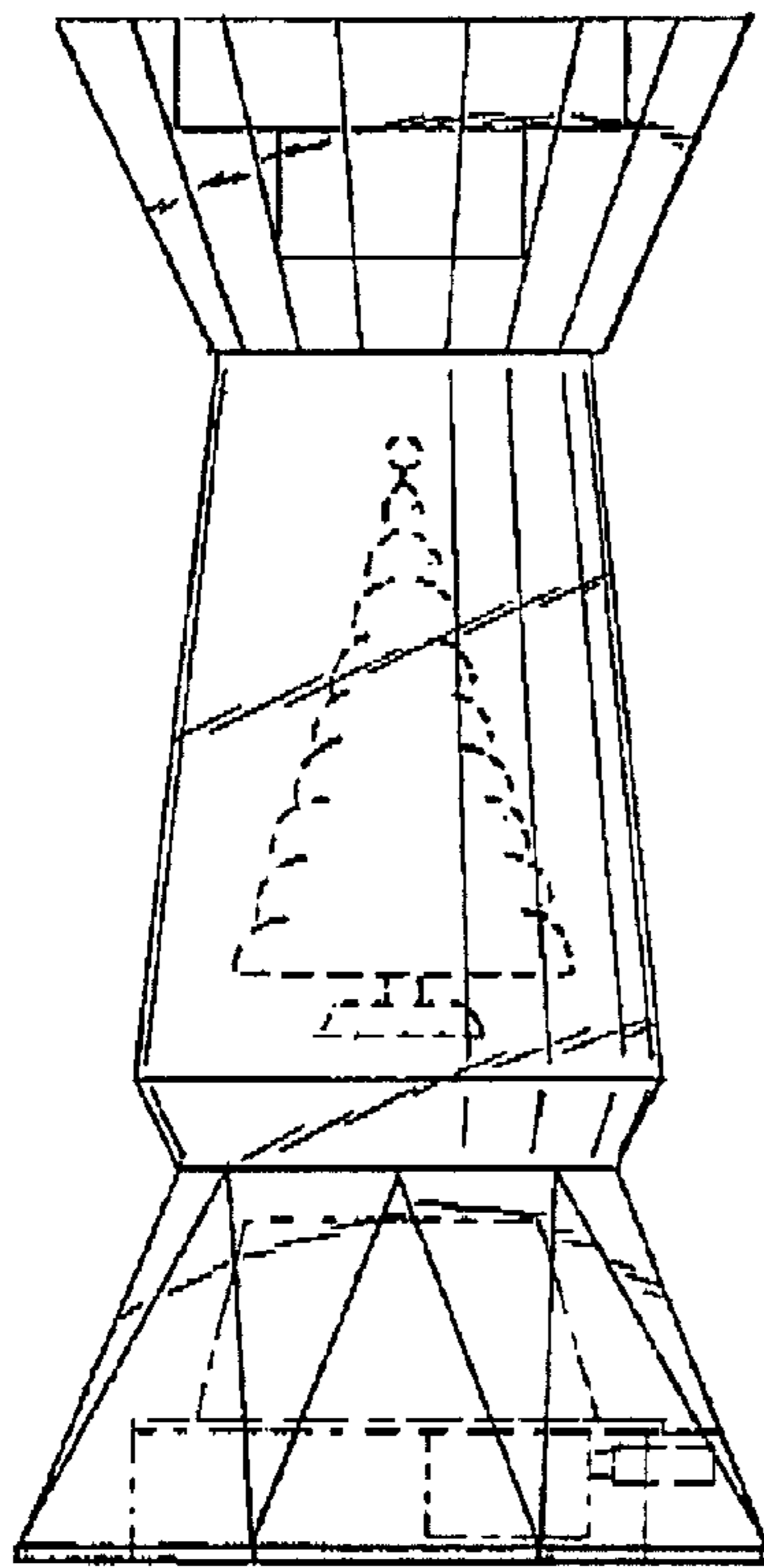


FIG 1

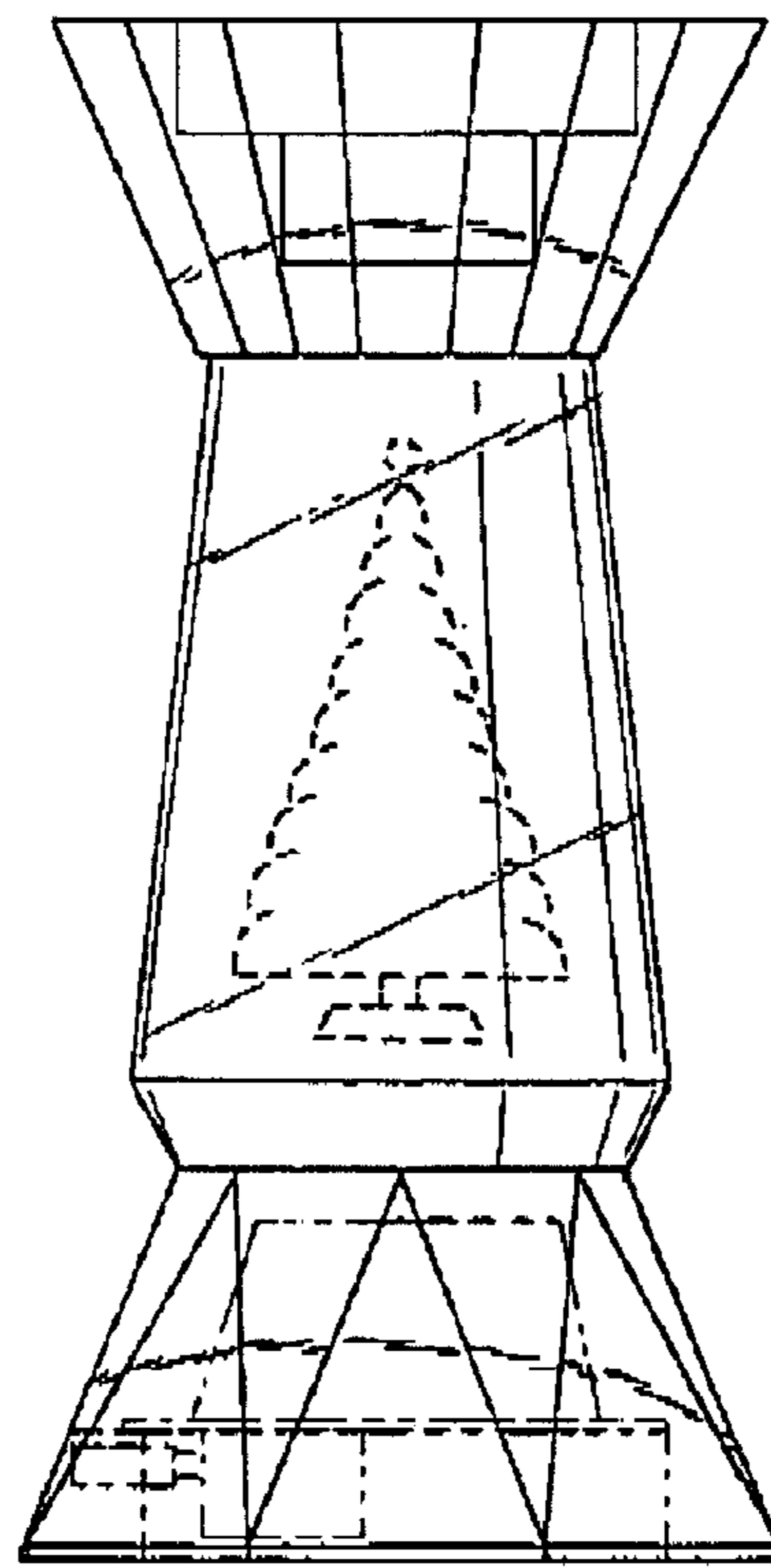


FIG 2

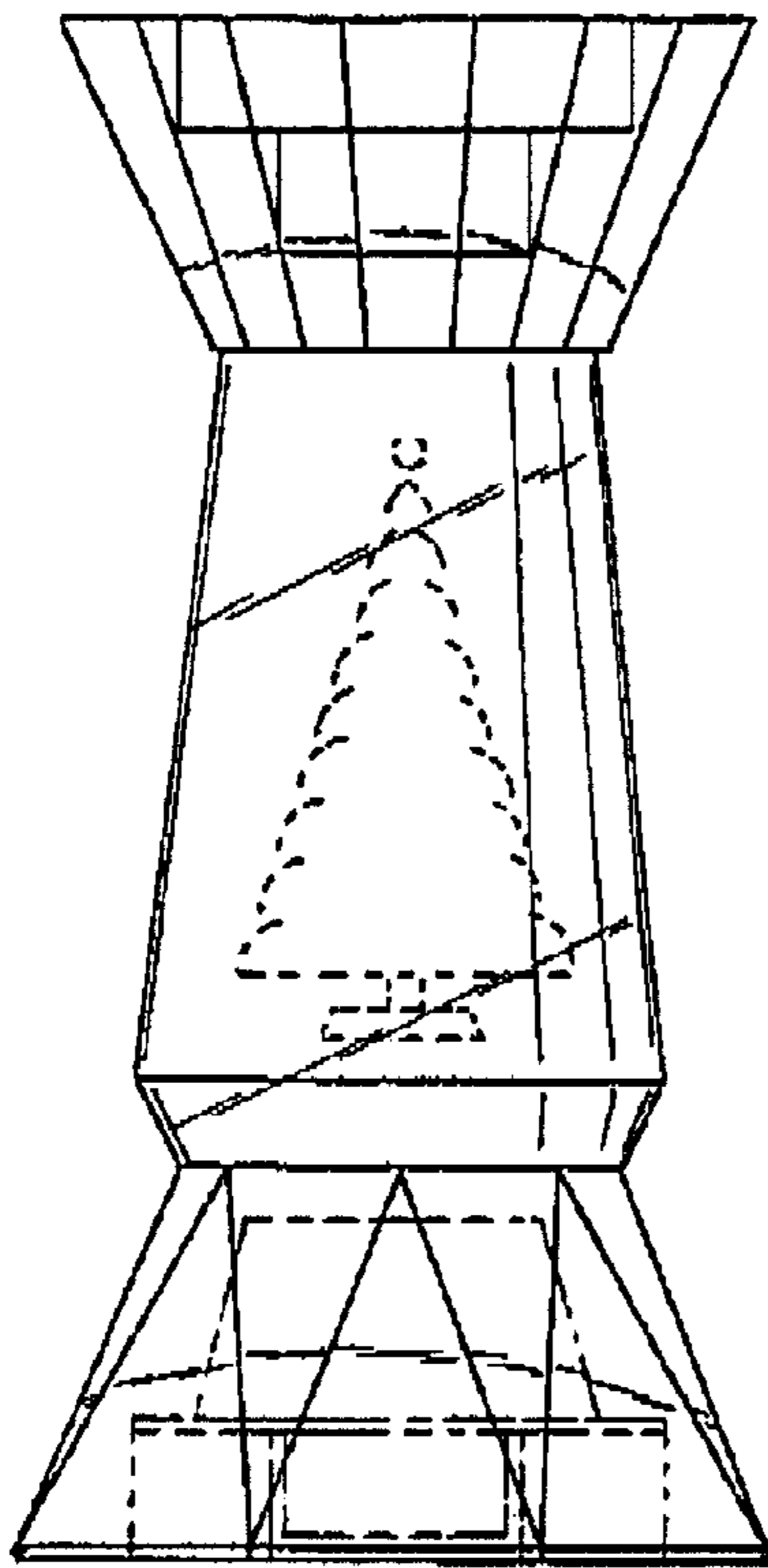


FIG 3

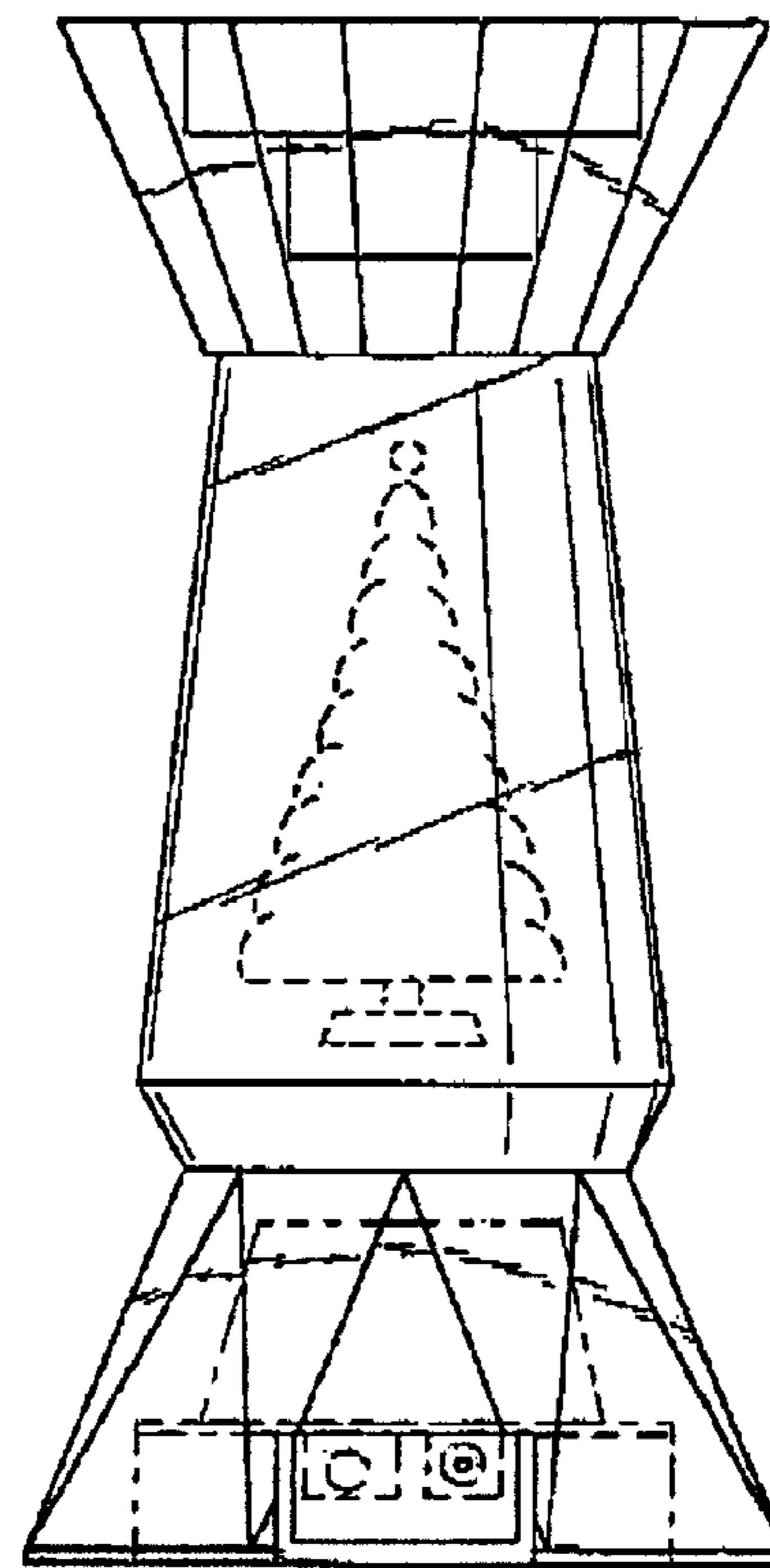


FIG 4

*FIG 5*

