



US00D546970S

(12) **United States Design Patent** (10) **Patent No.:** **US D546,970 S**
Howe et al. (45) **Date of Patent:** **** Jul. 17, 2007**

(54) DOOR FOR A SHED	3,766,699 A	10/1973	Dinkel
	3,778,949 A	12/1973	Hellerich
(75) Inventors: Rich Howe , Pleasant View, UT (US); Kent Ashby , Logan, UT (US); Neil Watson , Layton, UT (US); Brent Steed , Syracuse, UT (US)	3,905,167 A	9/1975	Watkins et al.
	3,928,691 A	12/1975	Knudson
	3,992,839 A	11/1976	La Borde
	4,004,387 A	1/1977	Ellingson
	4,008,548 A	2/1977	Leclerc
	4,010,586 A	3/1977	Brechbuhler
(73) Assignee: Lifetime Products, Inc. , Clearfield, UT (US)	4,032,680 A	6/1977	Allard
	4,054,987 A	10/1977	Forlenza
(**) Term: 14 Years	4,226,064 A	10/1980	Kraayenhof
	4,236,361 A	12/1980	Boden

(21) Appl. No.: **29/259,983**

(Continued)

(22) Filed: **May 17, 2006**

FOREIGN PATENT DOCUMENTS

JP 07-012123 2/1995

(51) **LOC (8) Cl.** **25-02**

(52) **U.S. Cl.** **D25/49; D25/48**

(58) **Field of Classification Search** D25/47,
D25/48, 49, 33, 14, 22; 52/79.1, 90.1, 79.5,
52/64; 160/DIG. 8

See application file for complete search history.

OTHER PUBLICATIONS

Keter North America; *Owner's Manual, Apex 4x6*; date created:
May 15, 2004; date modified: May 15, 2004.

(Continued)

(56) **References Cited**

U.S. PATENT DOCUMENTS

2,107,418 A	2/1938	Keller	
2,388,297 A	11/1945	Slaughter	
2,816,329 A	12/1957	Sogaro	
2,863,185 A	12/1958	Riedi	
3,102,582 A *	9/1963	Rudnick	160/206
3,199,258 A	8/1965	Jentoft et al.	
3,234,700 A	2/1966	Creveling	
3,269,076 A *	8/1966	Strand	52/309.13
3,401,494 A	9/1968	Anderson	
3,436,881 A	4/1969	Schlecht	
3,438,312 A	4/1969	Becker et al.	
3,543,456 A	12/1970	Gregoire	
3,563,582 A	2/1971	Shroyer	
3,566,554 A	3/1971	Schaffer et al.	
3,597,858 A	8/1971	Ogsbury	
3,700,213 A	10/1972	Blease	

Primary Examiner—Doris Clark
(74) *Attorney, Agent, or Firm*—Workman Nydegger

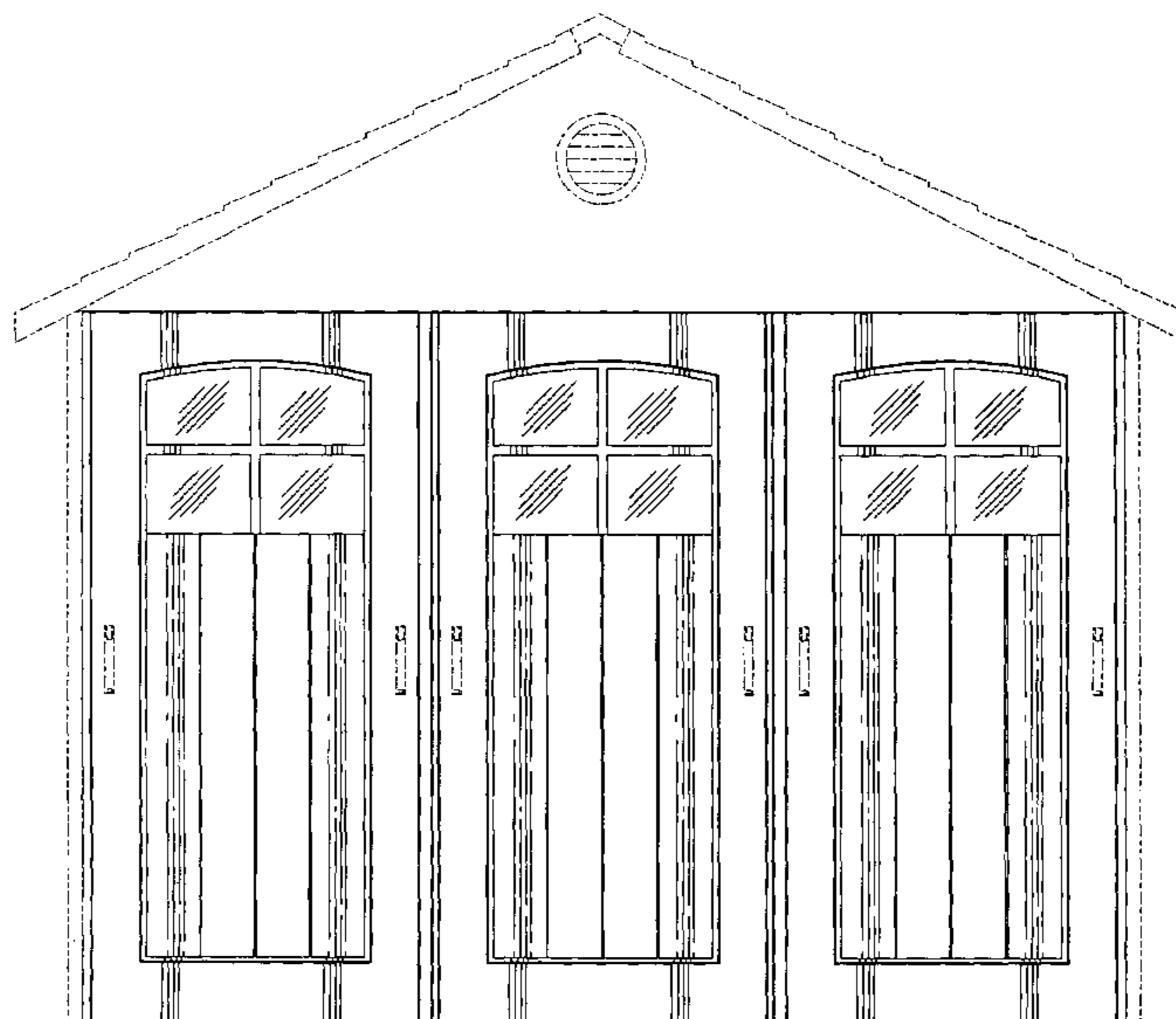
(57) **CLAIM**

The ornamental design for door for a shed, as shown and described.

DESCRIPTION

FIG. 1 is a front elevation view of a door for a shed;
FIG. 2 is a perspective view with one door slightly ajar;
FIG. 3 is a perspective view with all doors partially ajar; and,
FIG. 4 is a perspective view with all doors fully opened.
The broken lines shown in the figures are for illustrative purposes only and form no part of the claimed design.

1 Claim, 4 Drawing Sheets



US D546,970 S

U.S. PATENT DOCUMENTS					
4,258,519 A	3/1981	Hugens	D426,645 S *	6/2000	Bonomo et al. D25/48
4,436,779 A	3/1984	Menconi et al.	6,098,354 A	8/2000	Skandis
4,557,091 A	12/1985	Auer	6,101,768 A	8/2000	Springstead et al.
4,568,584 A	2/1986	Holland	D431,869 S	10/2000	Hampel
4,641,468 A	2/1987	Slater	6,185,878 B1	2/2001	Bullard, III et al.
4,674,250 A	6/1987	Altizer	6,250,022 B1	6/2001	Paz et al.
4,790,112 A	12/1988	Wang	6,257,559 B1	7/2001	Mouri
4,805,357 A	2/1989	Aleixo	6,332,554 B1	12/2001	McCarthy
4,826,265 A	5/1989	Hockenberry	D452,913 S	1/2002	Ohanesian
4,910,280 A	3/1990	Robbins, III	D455,501 S	4/2002	Greene
4,925,338 A	5/1990	Kapusta	6,385,942 B1	5/2002	Grossman
4,930,286 A	6/1990	Kotler	6,397,537 B2	6/2002	Auer et al.
4,984,406 A	1/1991	Friesen	6,418,672 B1	7/2002	Hampel
4,998,023 A	3/1991	Kitts	6,446,414 B1	9/2002	Bullard, III et al.
5,040,834 A	8/1991	Kahl et al.	6,482,500 B1	11/2002	Diginosa
5,125,697 A	6/1992	Kahl et al.	D468,026 S	12/2002	Tisbo et al.
5,184,436 A	2/1993	Sadler	D468,442 S	1/2003	Tisbo et al.
5,219,085 A	6/1993	Craft et al.	D468,833 S	1/2003	Tisbo et al.
5,265,385 A	11/1993	Smith et al.	D468,834 S	1/2003	Tisbo et al.
D345,018 S *	3/1994	Maas D25/49	D469,188 S	1/2003	Tisbo et al.
5,293,725 A	3/1994	Matticks et al.	6,562,414 B2	5/2003	Carling
5,331,778 A	7/1994	Mazpule et al.	D476,424 S	6/2003	Shanahan
5,364,204 A	11/1994	MacLeod	6,581,337 B1	6/2003	Skov et al.
D364,468 S	11/1995	Maple	6,591,558 B1	7/2003	De Zen
D365,154 S	12/1995	Maple	D479,882 S	9/2003	Tisbo et al.
5,544,870 A	8/1996	Kelley et al.	D481,138 S	10/2003	Forster et al.
5,555,681 A	9/1996	Cawthon	6,631,821 B2	10/2003	Vourganas
D375,168 S	10/1996	Hunt et al.	6,637,728 B2	10/2003	Pettit et al.
D375,169 S	10/1996	Hunt et al.	D484,339 S	12/2003	Greene
5,566,961 A	10/1996	Snell et al.	D484,612 S	12/2003	Greene
5,568,772 A	10/1996	Carson	6,668,514 B2	12/2003	Skov et al.
5,609,327 A	3/1997	Amidon	6,672,970 B2	1/2004	Barlow
5,647,181 A	7/1997	Hunts	6,675,545 B2	1/2004	Chen et al.
5,657,583 A	8/1997	Tennant	6,681,447 B2	1/2004	Houk, Jr. et al.
5,660,907 A	8/1997	Skalka	6,701,678 B1	3/2004	Skov et al.
5,671,913 A	9/1997	Vesper	6,702,128 B2	3/2004	Winig et al.
D387,876 S	12/1997	Maple	D492,793 S	7/2004	Moon et al.
5,694,730 A	12/1997	Del Rincon et al.	D494,281 S	8/2004	Greene
5,704,699 A	1/1998	Pagelow et al.	6,776,300 B2	8/2004	Walsh et al.
5,706,620 A	1/1998	De Zen	6,782,624 B2	8/2004	Marsh et al.
5,713,806 A	2/1998	Teitgen et al.	D496,737 S	9/2004	Moon et al.
5,715,854 A	2/1998	Andrieux et al.	6,796,087 B1	9/2004	Greene
5,724,774 A	3/1998	Rooney	6,802,158 B1	10/2004	Greene
D393,724 S	4/1998	Sagol	6,802,327 B2	10/2004	Koss
5,755,341 A	5/1998	Spamer	6,808,674 B1	10/2004	Skov et al.
5,761,867 A	6/1998	Carling	6,821,049 B1	11/2004	Greene
5,778,604 A	7/1998	Snow	D506,266 S	6/2005	Astle et al.
5,787,654 A	8/1998	Drost	D506,267 S	6/2005	Astle et al.
5,789,057 A	8/1998	Naitou et al.	2001/0009703 A1	7/2001	Toshikawa
D399,575 S	10/1998	Hunt	2002/0000545 A1	1/2002	Pettit et al.
5,826,389 A	10/1998	Siler	2002/0092128 A1	7/2002	Houk, Jr. et al.
D405,540 S	2/1999	Maple	2002/0092245 A1	7/2002	Floyd et al.
D406,355 S *	3/1999	Kinsey D25/49	2002/0092818 A1	7/2002	Craft et al.
5,882,140 A	3/1999	Yoduck, Jr. et al.	2002/0170259 A1	11/2002	Ferris
5,890,338 A	4/1999	Rodriguez-Ferre	2002/0174532 A1	11/2002	Skov et al.
5,904,021 A	5/1999	Fisher	2003/0024191 A1	2/2003	Hampel
D411,625 S	6/1999	Fuller et al.	2003/0029113 A1	2/2003	Wetzel, III et al.
D411,629 S	6/1999	Mandell	2003/0106472 A1	6/2003	Lonneman et al.
5,915,724 A	6/1999	Daris et al.	2003/0114101 A1	6/2003	Paz
5,925,510 A	7/1999	Schulsinger et al.	2003/0125399 A1	7/2003	Zhang et al.
5,935,510 A	8/1999	Hansen	2003/0126814 A1	7/2003	Cook et al.
5,950,378 A	9/1999	Council et al.	2003/0146426 A1	8/2003	Ray et al.
5,950,568 A	9/1999	Axelrod et al.	2003/0154675 A1	8/2003	LaBruzza
5,970,663 A	10/1999	McDonough	2003/0178383 A1	9/2003	Craft et al.
D416,091 S	11/1999	Ohanesian	2003/0197165 A1	10/2003	Perelli
5,975,660 A	11/1999	Tisbo et al.	2003/0201272 A1	10/2003	Carter
5,992,106 A	11/1999	Carling et al.	2003/0226815 A1	12/2003	Gaunt et al.
6,012,253 A	1/2000	Burns			
6,044,598 A	4/2000	Elasser et al.			
6,061,979 A	5/2000	Johannes			
6,061,987 A	5/2000	King			

OTHER PUBLICATIONS

Keter North America; *Owner's Manual, Apex 8x6 Extension Kit*;
date created: Sep. 25, 2003; date modified: Oct. 30, 2003.

- Keter North America; *Owner's Manual, Apex 8x6*; date created: May 15, 2004; date modified: May 15, 2004.
- Royal Outdoor Products Co.; *4' Extension Kit for Winchester Models S010, S011 & S020, Model E001 Owner's Manual 10'x12' Version 2.8*; date created: Oct. 29, 2003; date modified: Oct. 29, 2003; copyright 2003.
- Royal Outdoor Products Co.; *7' Extension Kit for Winchester Models S010, S011 & S020, Model E002, Owner's Manual 10'x15' Version 2.9*; date created: Oct. 29, 2003; date modified: Oct. 29, 2003; copyright 2003.
- Royal Outdoor Products Co.; *The Winchester II Storage Building, Model S011 Owner's Manual 10'x8' Version 3.2*; date created: Oct. 29, 2003; date modified: Oct. 29, 2003; copyright 2003.
- Royal Outdoor Products Co.; *The Winchester Storage Building, Model S010 Owner's Manual 10'x8' Version 3.2*; date created: Oct. 29, 2003; date modified: Oct. 29, 2003; copyright 2003.
- Rubbermaid Home Products; *3713 Big Max 7'x3'6" Resin Storage Building Assembly*; date created: Jan. 19, 2004; date modified: Jan. 19, 2004; copyright 2003.
- Rubbermaid Home Products; *3784 Big Max 7'x7' Resin Storage Building Assembly*; date created: Jan. 19, 2004; date modified: Jan. 19, 2004; copyright 2003.
- Rubbermaid Home Products; *Roughneck Vertical Storage Shed 3673*; date created: Jun. 30, 2004; date modified: Jun. 30, 2004; copyright 2003.
- Suncast Corporation; *GS8000 Owner's Manual*; date created: Aug. 26, 2004; date modified: not available; copyright 2004.
- Suncast Corporation; *GS8500 Owner's Manual*; date created: Mar. 11, 2004; date modified: not available; copyright 2003.
- Suncast Corporation; *GS9000 Owner's Manual*; date created: Aug. 26, 2004; date modified: not available; copyright 2004.
- Suncast Corporation; *GS9500 Owner's Manual*; date created: Mar. 8, 2004; date modified: not available; copyright 2004.
- The Step2 Company; *LifeScapes Storage Building*; date created: Feb. 2, 2004; date modified: Jul. 14, 2004; copyright 2004.
- The Step2 Company; *LifeScapes Storage House*; date created: Feb. 2, 2004; date modified: Mar. 4, 2004; copyright 2004.
- The Step2 Company; *LifeScapes Storage Shed*; date created: Feb. 2, 2004; date modified: Mar. 4, 2004; copyright 2004.
- Thinking Outside, L.L.C.; *Bill of Materials for SmartShed Deluxe Plus*; date created: Apr. 16, 2004; date modified: Apr. 16, 2004.
- Thinking Outside, L.L.C.; *Bill of Materials for SmartShed Deluxe*; date created: Apr. 2, 2004; date modified: Apr. 2, 2004.
- Thinking Outside, L.L.C.; *Bill of Materials for SmartShed Extension Unit*; date created: Apr. 16, 2004; date modified: Apr. 16, 2004.
- Thinking Outside, L.L.C.; *Bill of Materials for SmartShed Utility*; date created: Apr. 2, 2004; date modified: Apr. 2, 2004.
- Thinking Outside, L.L.C.; *SmartShed Outdoor Storage Chest Parts List*; date created: Aug. 17, 2004; date modified: Aug. 18, 2004.
- US Polymers Inc.; *DuraMax Storage Shed Owner's Manual/Instructions for Assembly Size; 10'x8' Ver: 2.0*; date created: Jan. 3, 2004; date modified: Jan. 3, 2004.
- US Polymers Inc.; *DuraMax Storage Shed Owner's Manual/Instructions for Assembly Size; 8'x6' Ver: 1.2*; date created: Feb. 25, 2003; date modified: Feb. 25, 2003.
- US Polymers Inc.; *DuraMax Storage Shed Owner's Manual/Instructions for Assembly Size; 10'x8' Ver: 1.2*; date created: Feb. 26, 2003; date modified: Feb. 26, 2003.

* cited by examiner

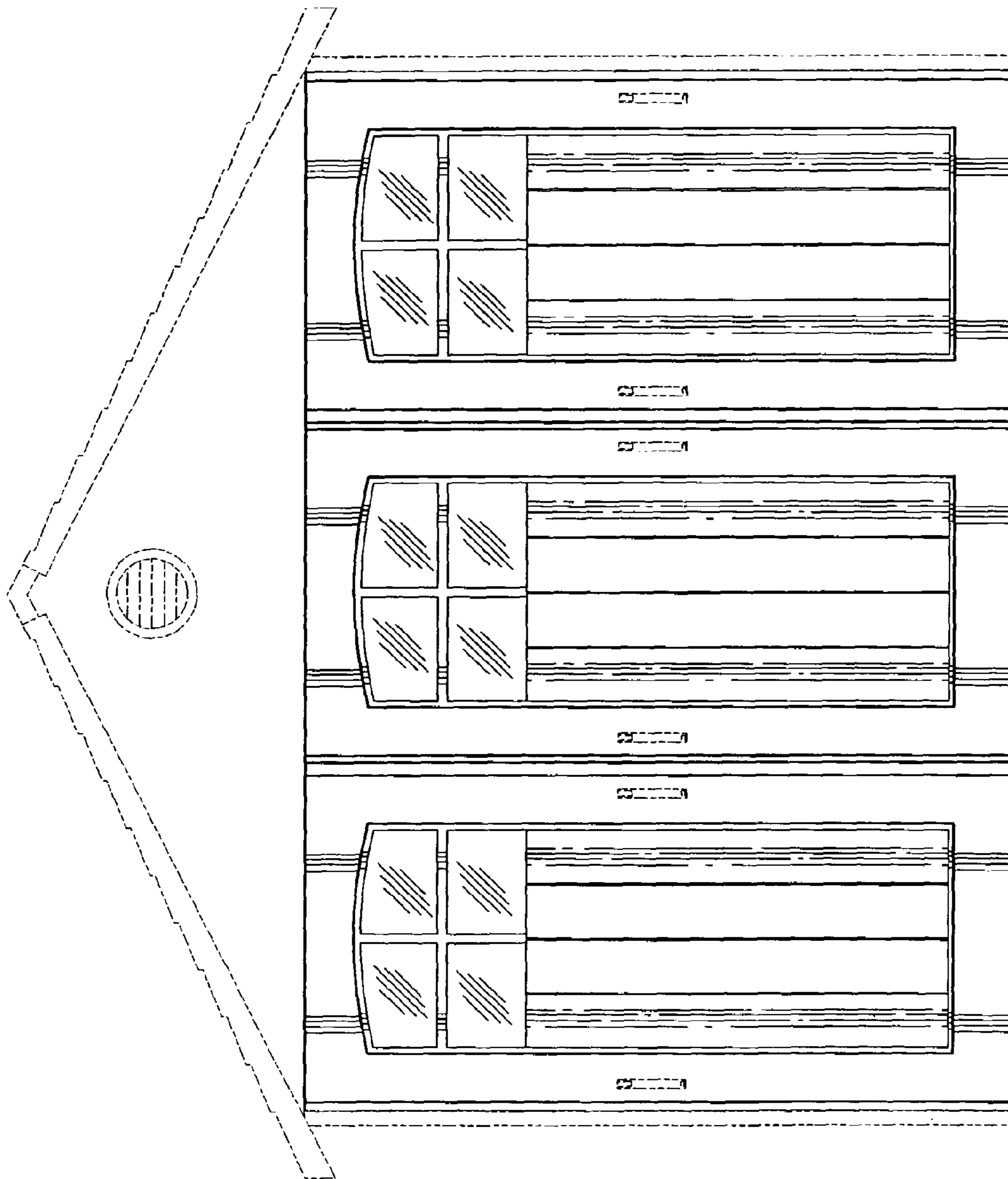


Fig. 1

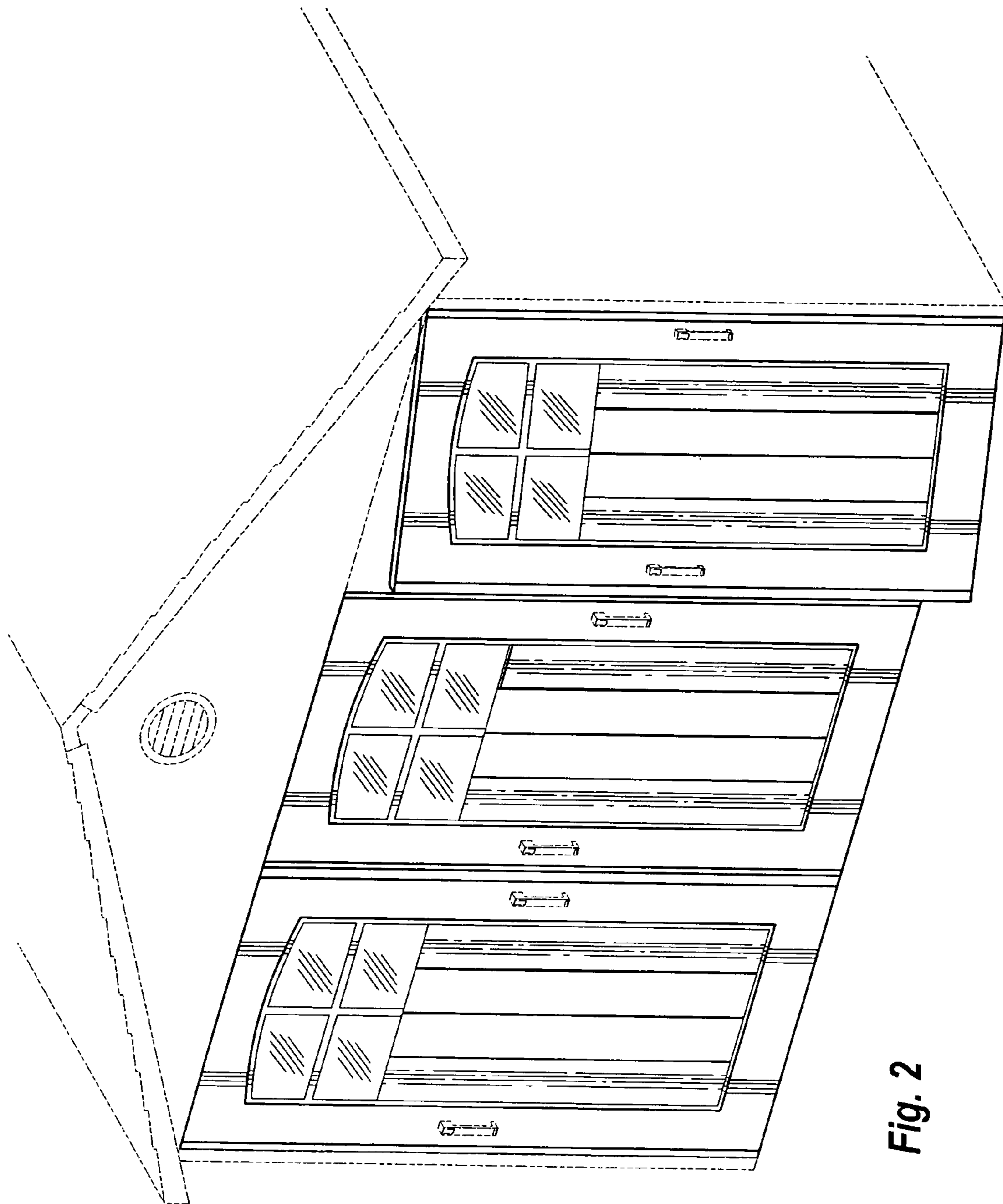


Fig. 2

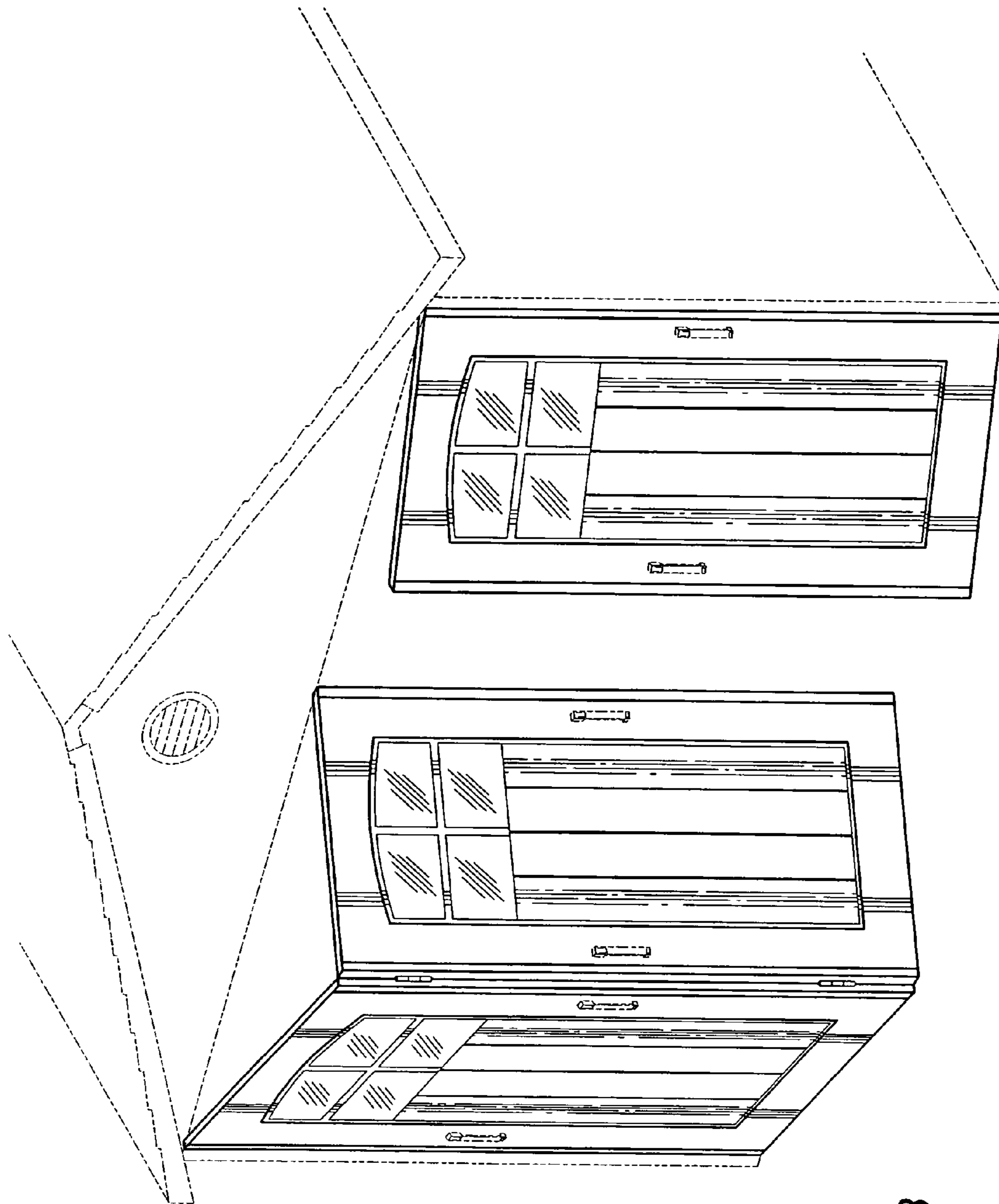


Fig. 3

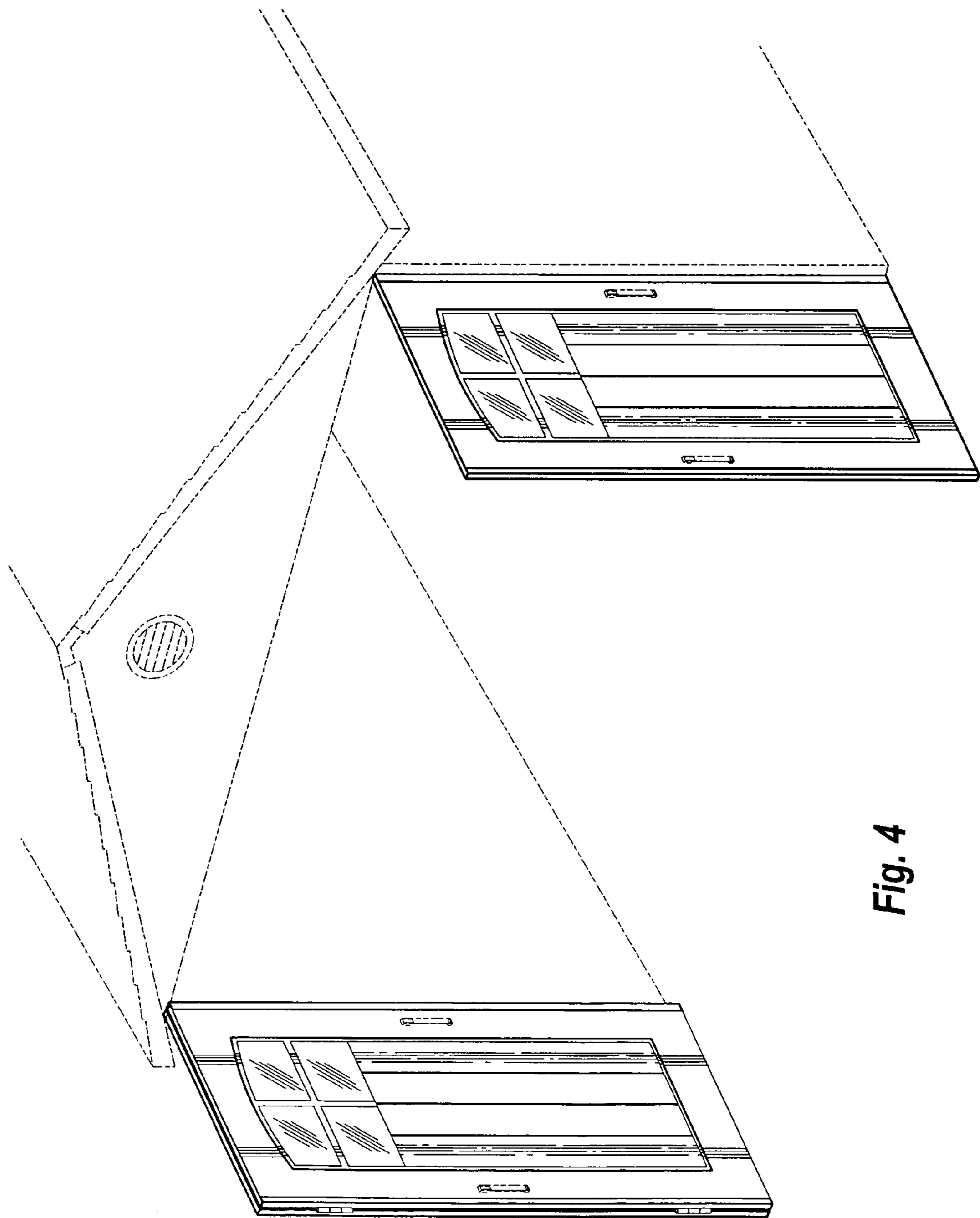


Fig. 4