



US00D546969S

(12) **United States Design Patent**
Christensen

(10) **Patent No.:** **US D546,969 S**
(45) **Date of Patent:** **** Jul. 17, 2007**

(54) **LOW PROFILE BARRIER**

EP 0 550 362 A1 7/1993

(75) Inventor: **Marc E. Christensen**, Salt Lake City, UT (US)

OTHER PUBLICATIONS

Multi-Barrier, Model AR-10x96 Specification, Jan. 2003.

(73) Assignee: **Off the Wall Products, LLC**, Salt Lake City, UT (US)

* cited by examiner

(**) Term: **14 Years**

Primary Examiner—Doris Clark

(74) *Attorney, Agent, or Firm*—Workman Nydegger

(21) Appl. No.: **29/241,112**

(57) **CLAIM**

(22) Filed: **Oct. 24, 2005**

The ornamental design for a low profile barrier, as shown and described.

(51) **LOC (8) Cl.** **25-02**

(52) **U.S. Cl.** **D25/38; D25/164**

(58) **Field of Classification Search** D25/56;
135/90, 97, 121, 124, 122, 906, 908; 160/38;
D21/837; 52/3, 23

See application file for complete search history.

DESCRIPTION

FIG. 1 is a top perspective view of an inventive low profile barrier;

FIG. 2 is a bottom perspective view of the barrier shown in FIG. 1;

FIG. 3 is an elevated front view of the barrier shown in FIG. 1;

FIG. 4 is an elevated back view of the barrier shown in FIG. 1;

FIG. 5 is an elevated left side view of the barrier shown in FIG. 1;

FIG. 6 is an elevated right side view of the barrier shown in FIG. 1;

FIG. 7 is a top plan view of the low profile barrier shown in FIG. 1; and,

FIG. 8 is a bottom plan view of the low profile barrier shown in FIG. 1.

(56) **References Cited**

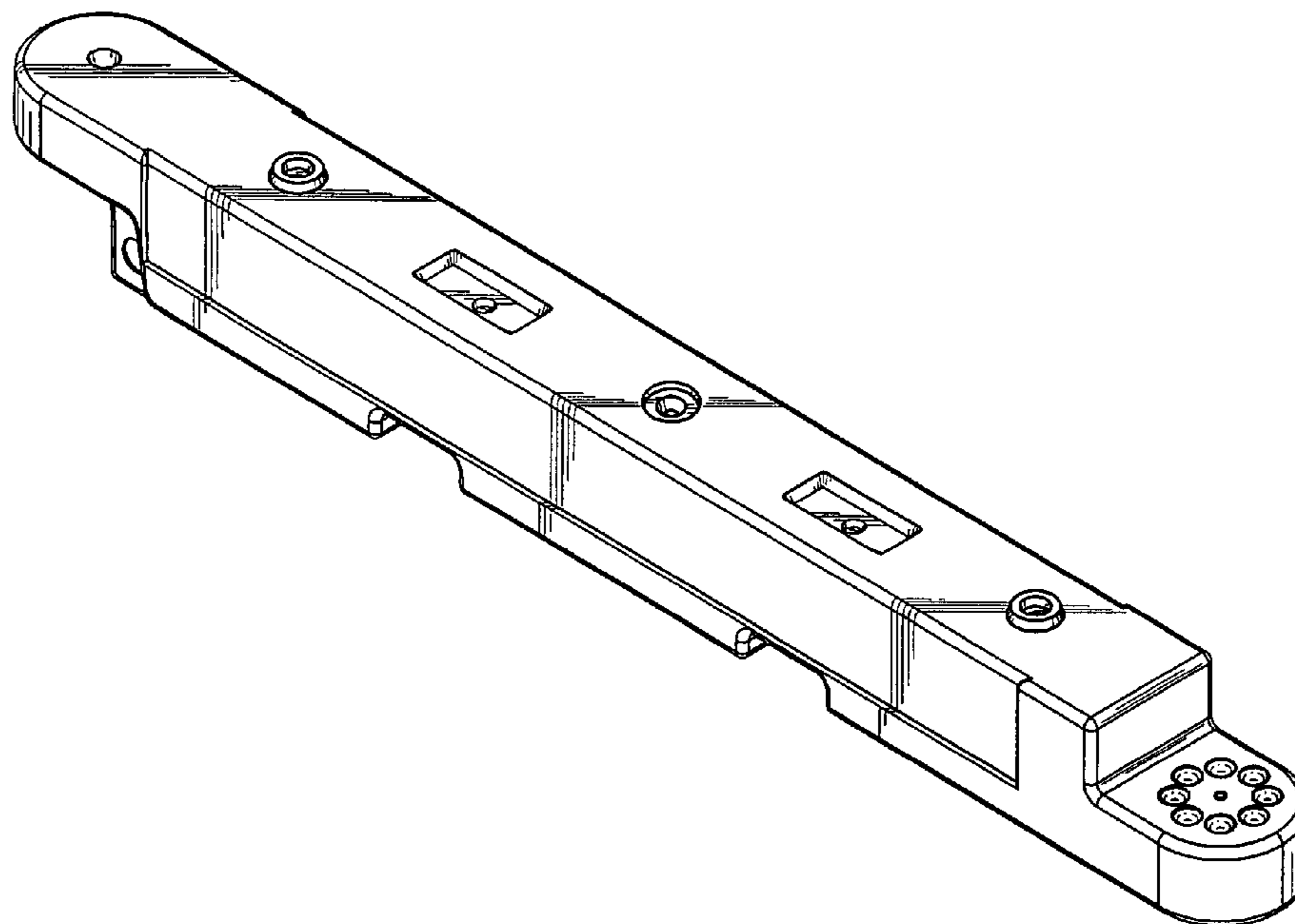
U.S. PATENT DOCUMENTS

4,143,857	A *	3/1979	Weiner	256/11
4,681,302	A	7/1987	Thompson		
5,011,325	A	4/1991	Antoniol		
5,123,773	A	6/1992	Yodock		
5,611,641	A	3/1997	Christensen		
5,639,179	A	6/1997	Jensen		
D400,264	S *	10/1998	Striefel et al.	D25/38
5,836,714	A	11/1998	Christensen		
5,988,934	A	11/1999	Wasserstrom		
6,086,285	A	7/2000	Christensen		
D462,126	S *	8/2002	Englund	D25/38

FOREIGN PATENT DOCUMENTS

AU B-50241/93 8/1994

1 Claim, 3 Drawing Sheets



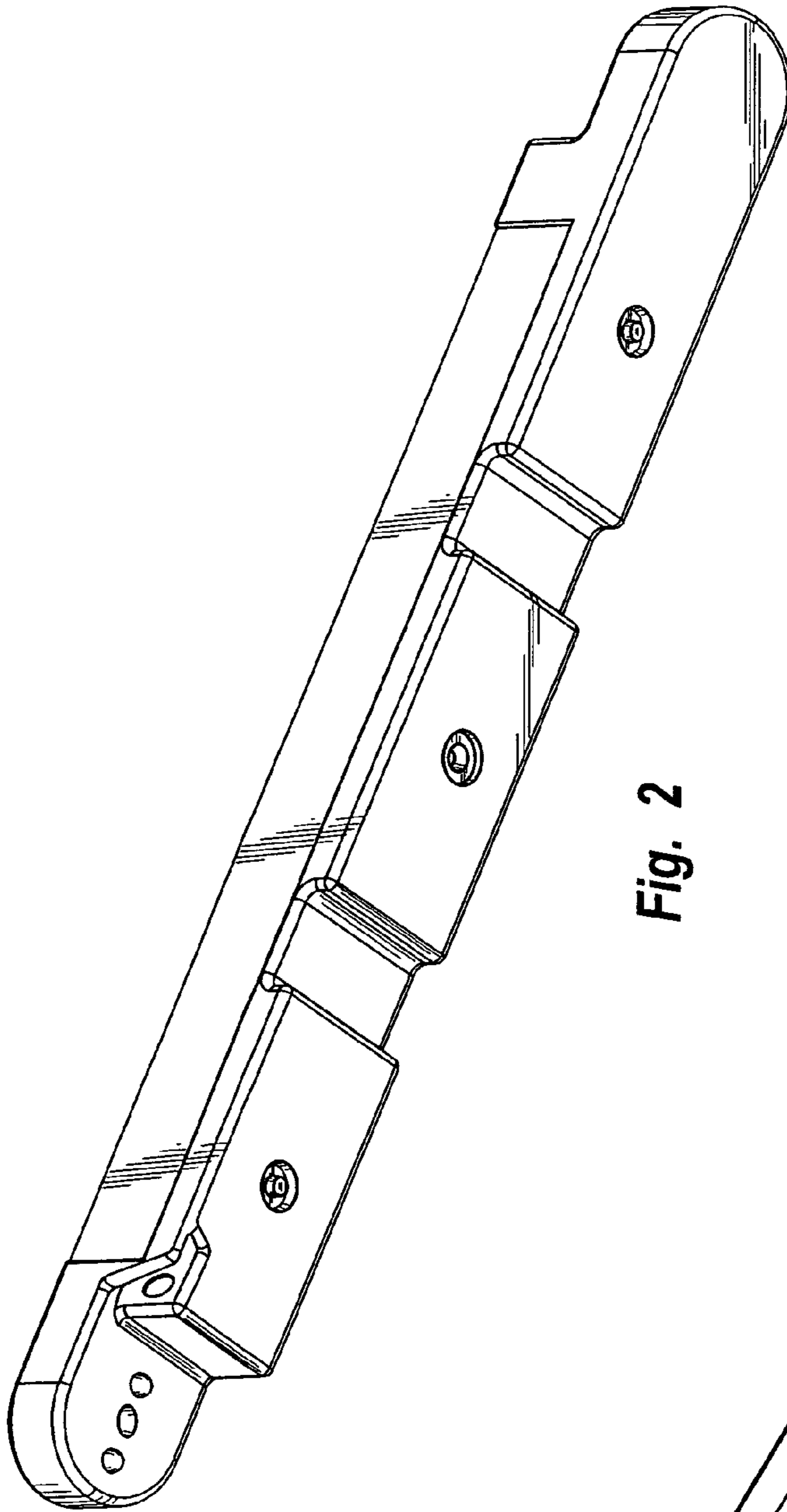


Fig. 2

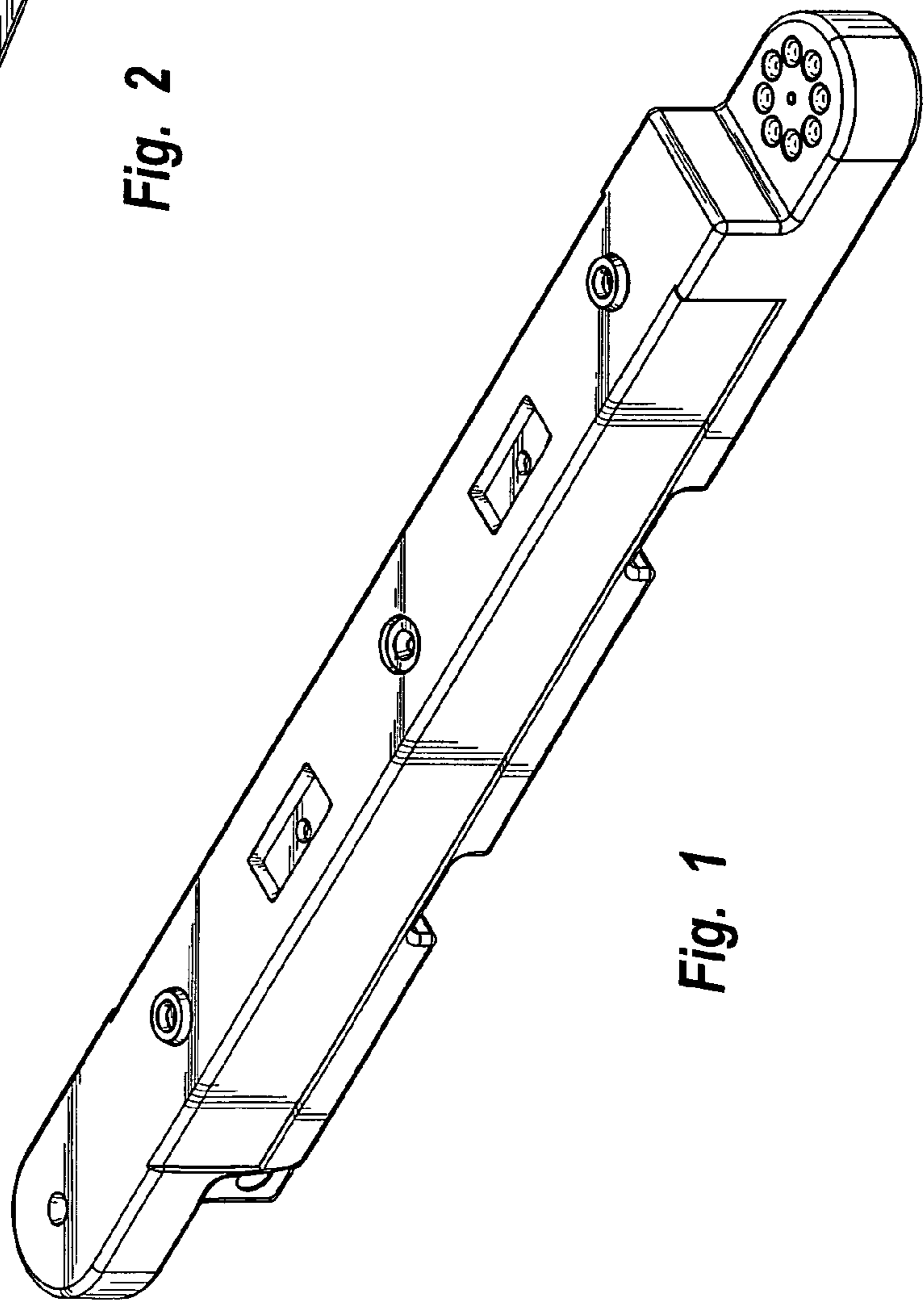


Fig. 1

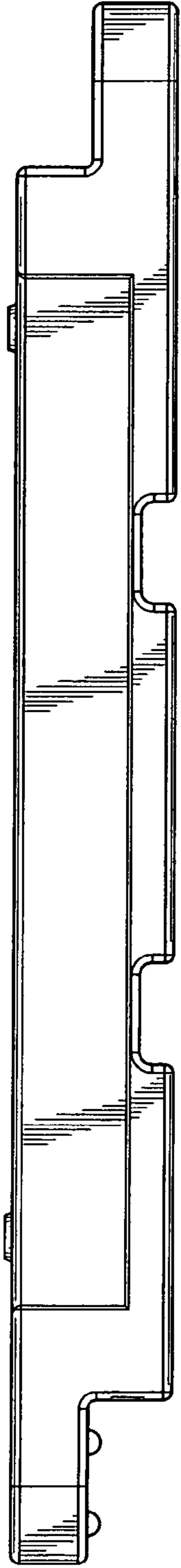


Fig. 3

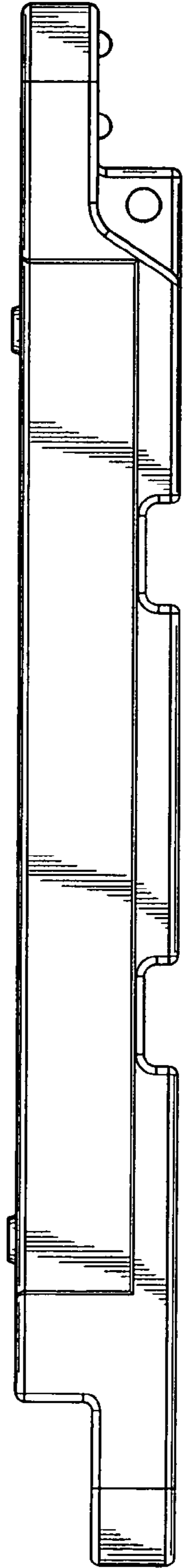


Fig. 4

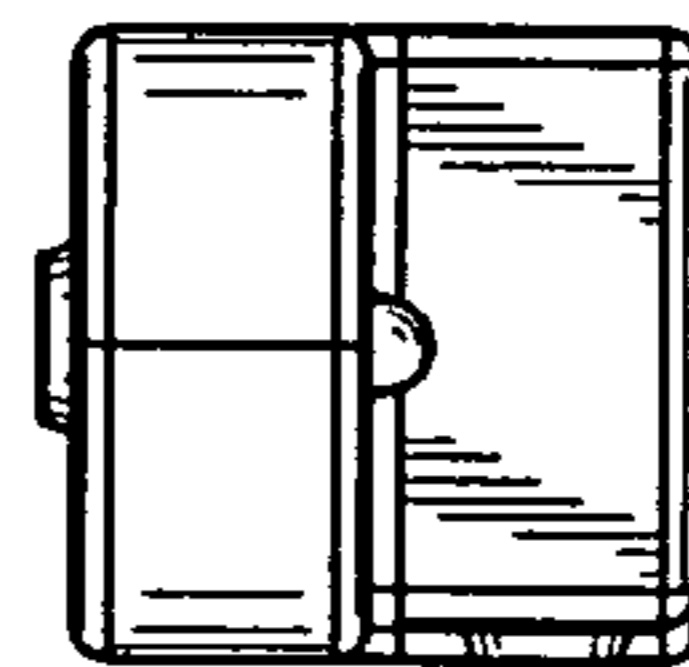


Fig. 5

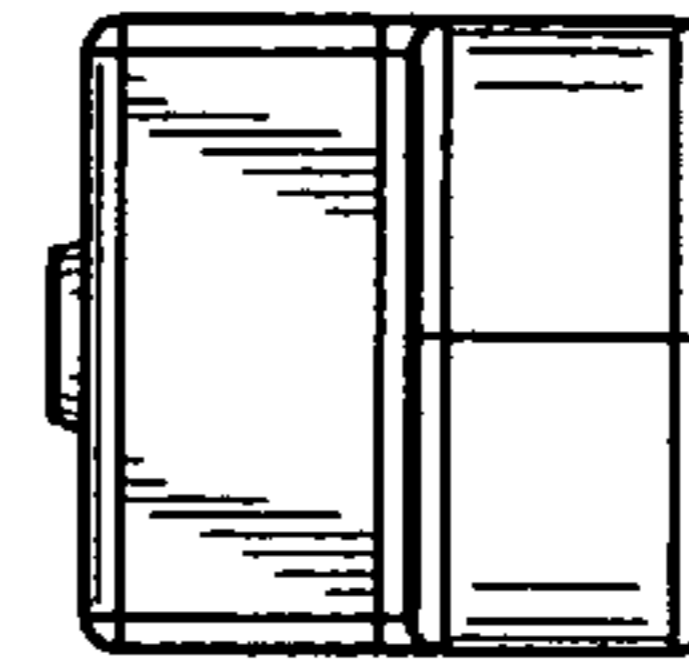


Fig. 6

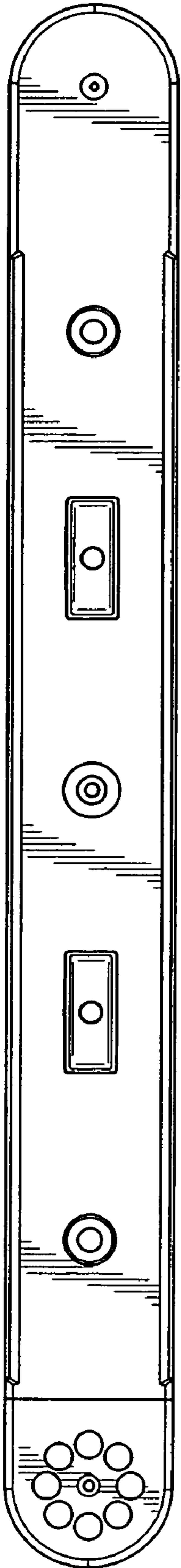


Fig. 7

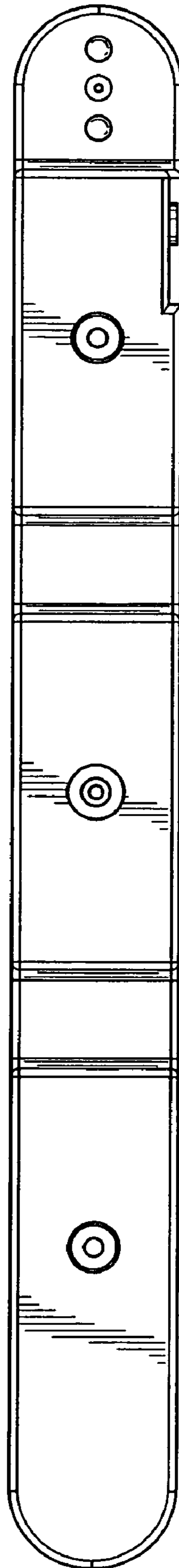


Fig. 8