



US00D546968S

(12) **United States Design Patent**
Blassingame et al.

(10) **Patent No.:** **US D546,968 S**

(45) **Date of Patent:** **** Jul. 17, 2007**

(54) **DEER BLIND**

(76) Inventors: **Brenda Blassingame**, 106 Industrial Park, Bridgeport, TX (US) 76426;
Shonn Blassingame, 106 Industrial Park, Bridgeport, TX (US) 76426

(**) Term: **14 Years**

(21) Appl. No.: **29/208,534**

(22) Filed: **Jul. 1, 2004**

Related U.S. Application Data

(63) Continuation-in-part of application No. 29/196,456, filed on Dec. 31, 2003, now Pat. No. Des. 494,684.

(51) **LOC (8) Cl.** **25-03**

(52) **U.S. Cl.** **D25/33**

(58) **Field of Classification Search** D25/31,
D25/33; 135/900, 901; 52/79.5; 160/351;
43/1

See application file for complete search history.

(56) **References Cited**

U.S. PATENT DOCUMENTS

3,169,543 A 2/1965 McGerty

3,690,334 A * 9/1972 Miller 135/123
4,364,193 A * 12/1982 Visco 43/1
4,719,716 A 1/1988 Chrisley, Jr.
5,172,525 A 12/1992 Cook
5,813,160 A * 9/1998 Thielke 43/1
6,286,269 B1 9/2001 Marcum
D477,881 S * 7/2003 Johnson D25/33

* cited by examiner

Primary Examiner—Doris Clark

(74) *Attorney, Agent, or Firm*—Patent & Trademark Services, Inc.; Joseph H. McGlynn

(57) **CLAIM**

The ornamental design for a deer blind, as shown and described.

DESCRIPTION

FIG. 1 is a perspective view of the deer blind of the present invention.

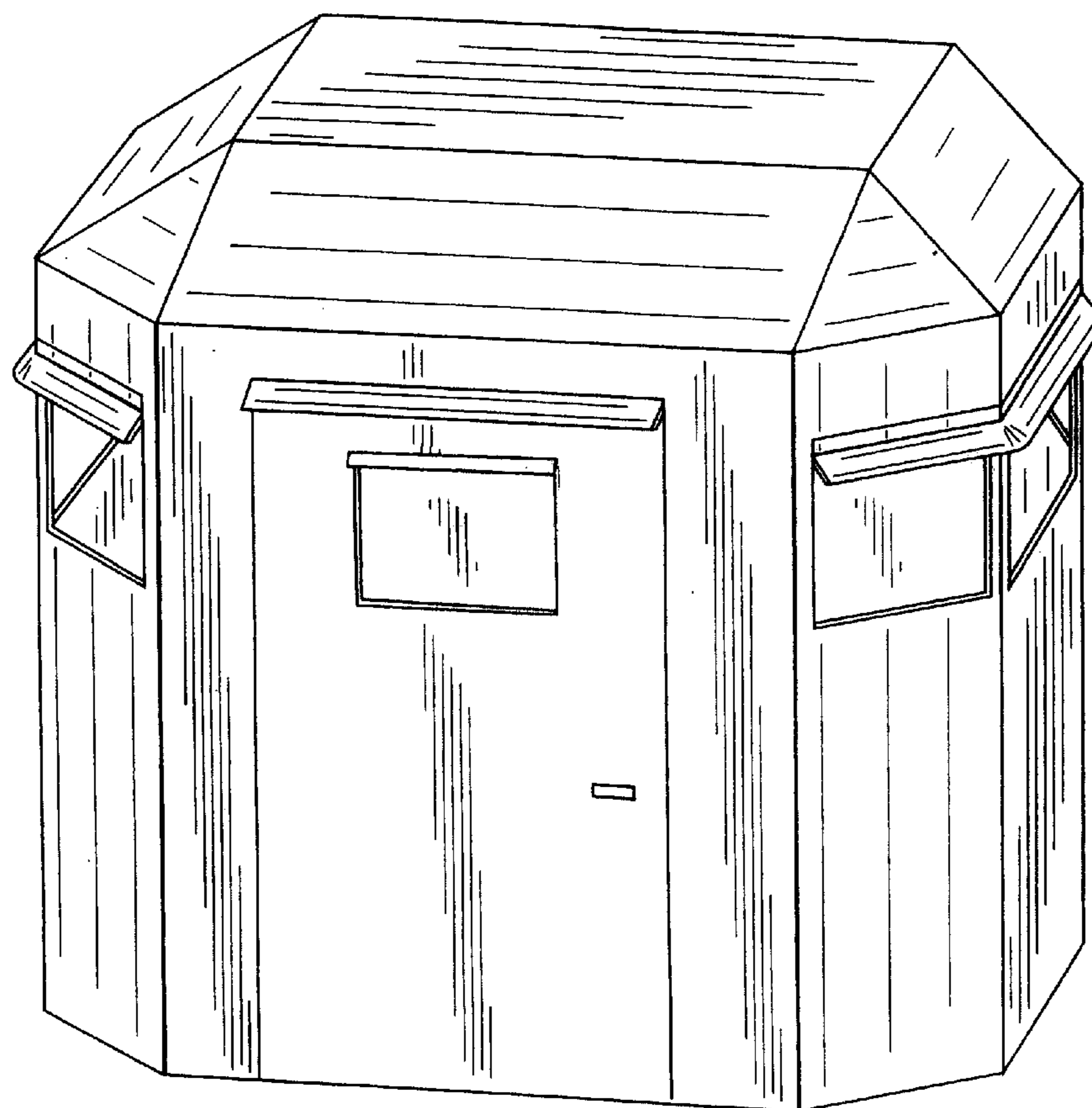
FIG. 2 is a top view of the present invention.

FIG. 3 is a side view of the present invention.

FIG. 4 is an end view of the present invention; and,

FIG. 5 is a bottom view of the present invention.

1 Claim, 5 Drawing Sheets



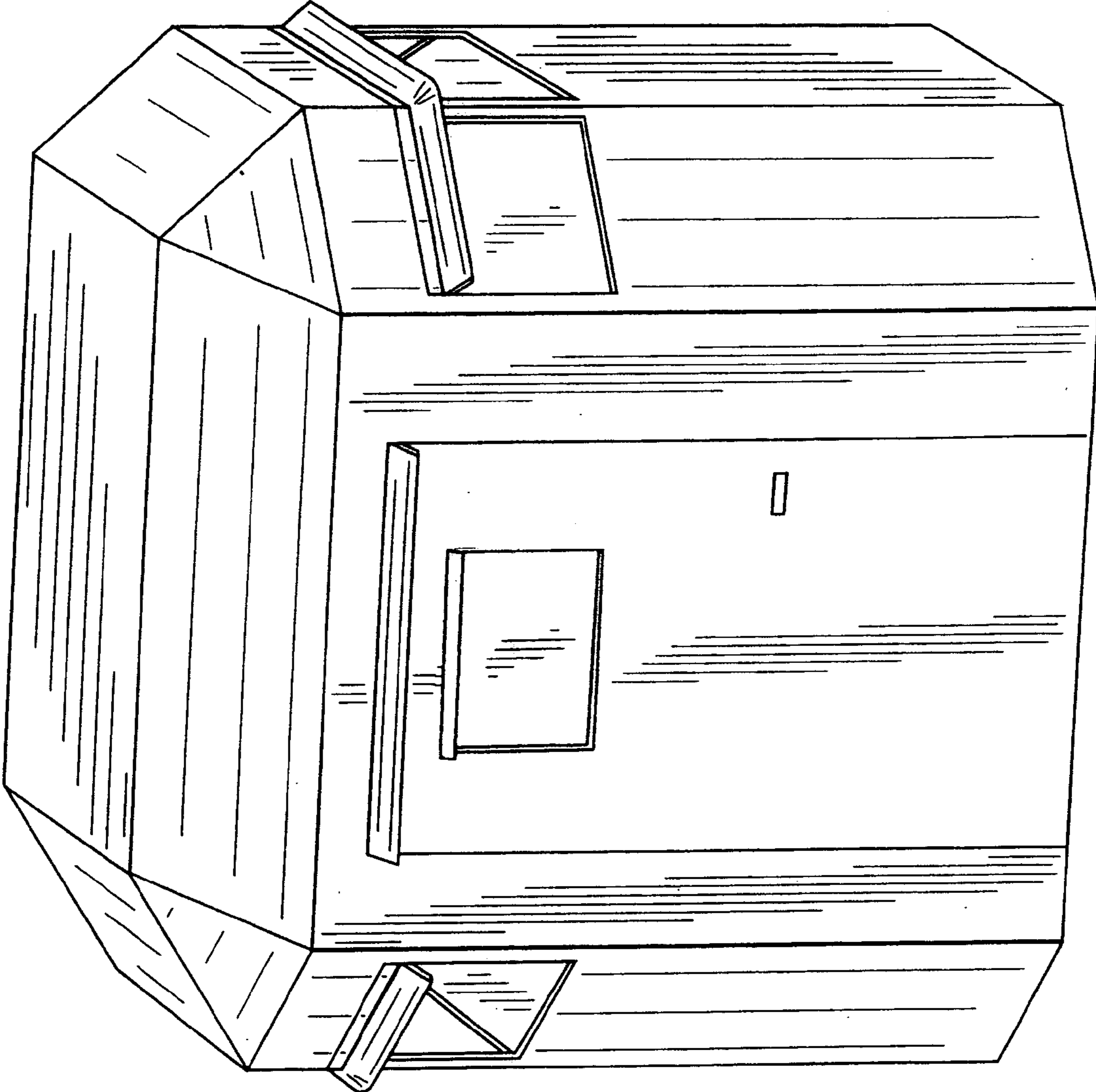


Fig. 1

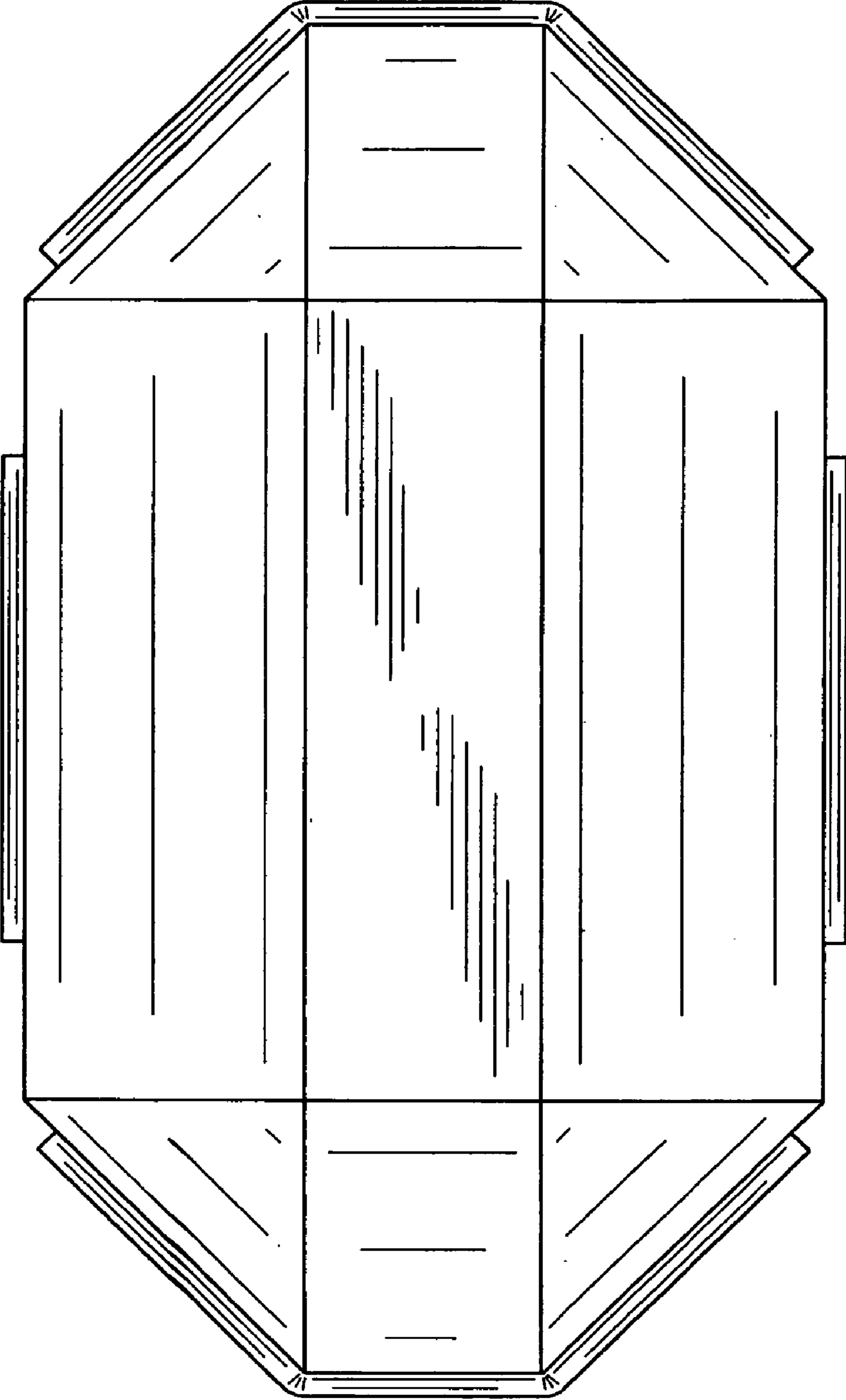


Fig.2

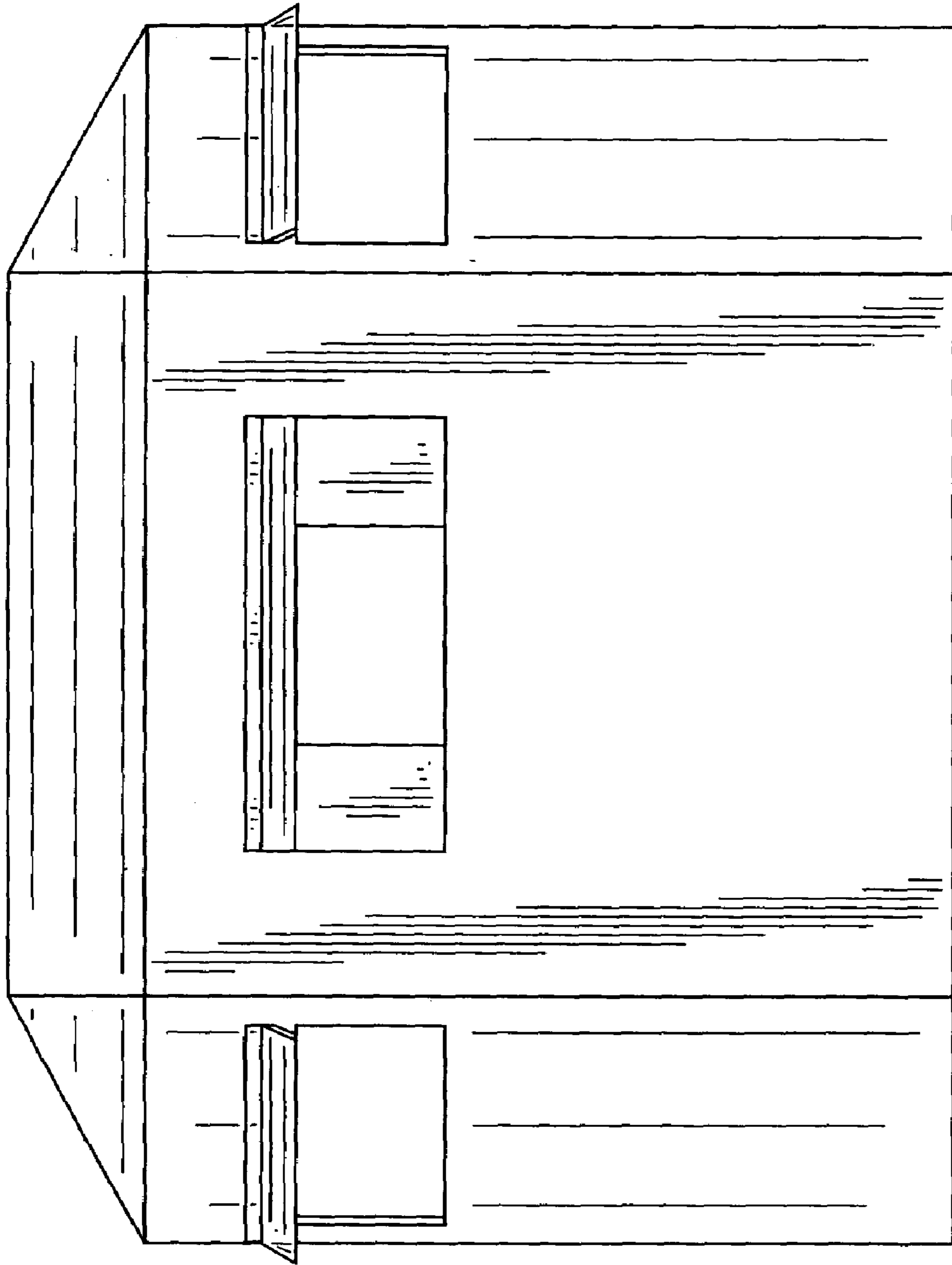


Fig.3

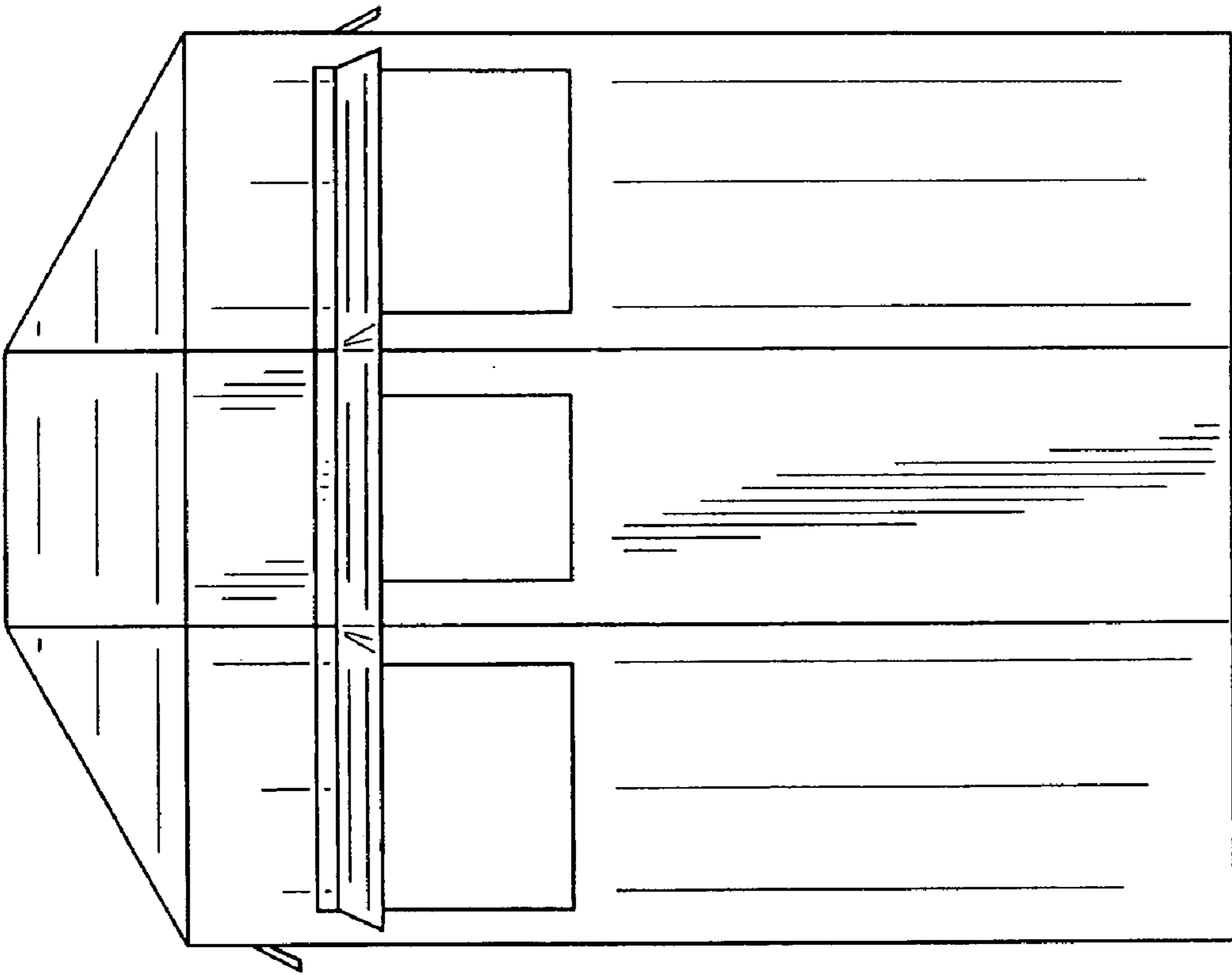


Fig. 4

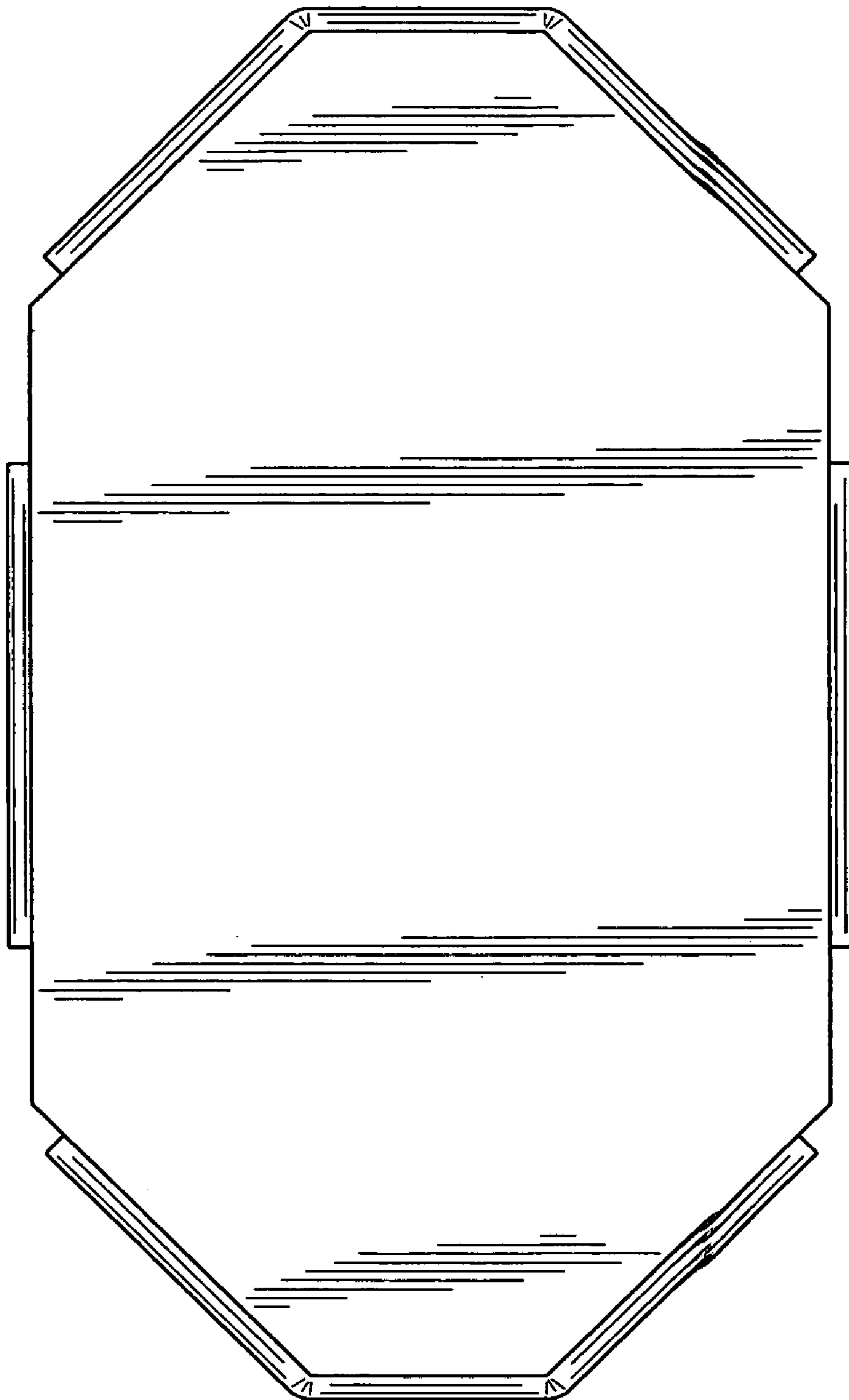


Fig. 5