



US00D546957S

(12) **United States Design Patent**
Ton

(10) **Patent No.:** **US D546,957 S**

(45) **Date of Patent:** **** Jul. 17, 2007**

(54) **PEDICURE SPA**

(76) **Inventor:** **Quy That Ton**, 3131 Dalrymple Dr.,
Baton Rouge, LA (US) 70815

(**) **Term:** **14 Years**

(21) **Appl. No.:** **29/263,078**

(22) **Filed:** **Jul. 14, 2006**

(51) **LOC (8) Cl.** **24-04**

(52) **U.S. Cl.** **D24/201**

(58) **Field of Classification Search** D24/200–205,
D24/212–213; D28/56, 61; D6/336, 495;
601/6, 15, 16, 64, 157–158, 30–32; 607/44;
4/622, 574.1

See application file for complete search history.

(56) **References Cited**

U.S. PATENT DOCUMENTS

D247,511 S *	3/1978	Lee et al.	D24/205
D303,162 S *	8/1989	Meyerovich et al.	D28/61
D346,043 S *	4/1994	Galati et al.	D28/61
D457,018 S *	5/2002	Park	D6/495
6,503,212 B2 *	1/2003	Park	601/158
D506,830 S *	6/2005	Zimmermann	D24/204

* cited by examiner

Primary Examiner—Charles A. Rademaker

Assistant Examiner—Melanie Levy

(74) *Attorney, Agent, or Firm*—Thomas, Kayden,
Horstemeyer & Risley, LLP

(57) **CLAIM**

The ornamental design of the pedicure spa, as shown and described.

DESCRIPTION

FIG. 1 is a perspective view showing the front, right and upper side of my new pedicure spa, the broken lines shown of a portion of a basin are for illustrative purposes only and forms no part of the claimed design;

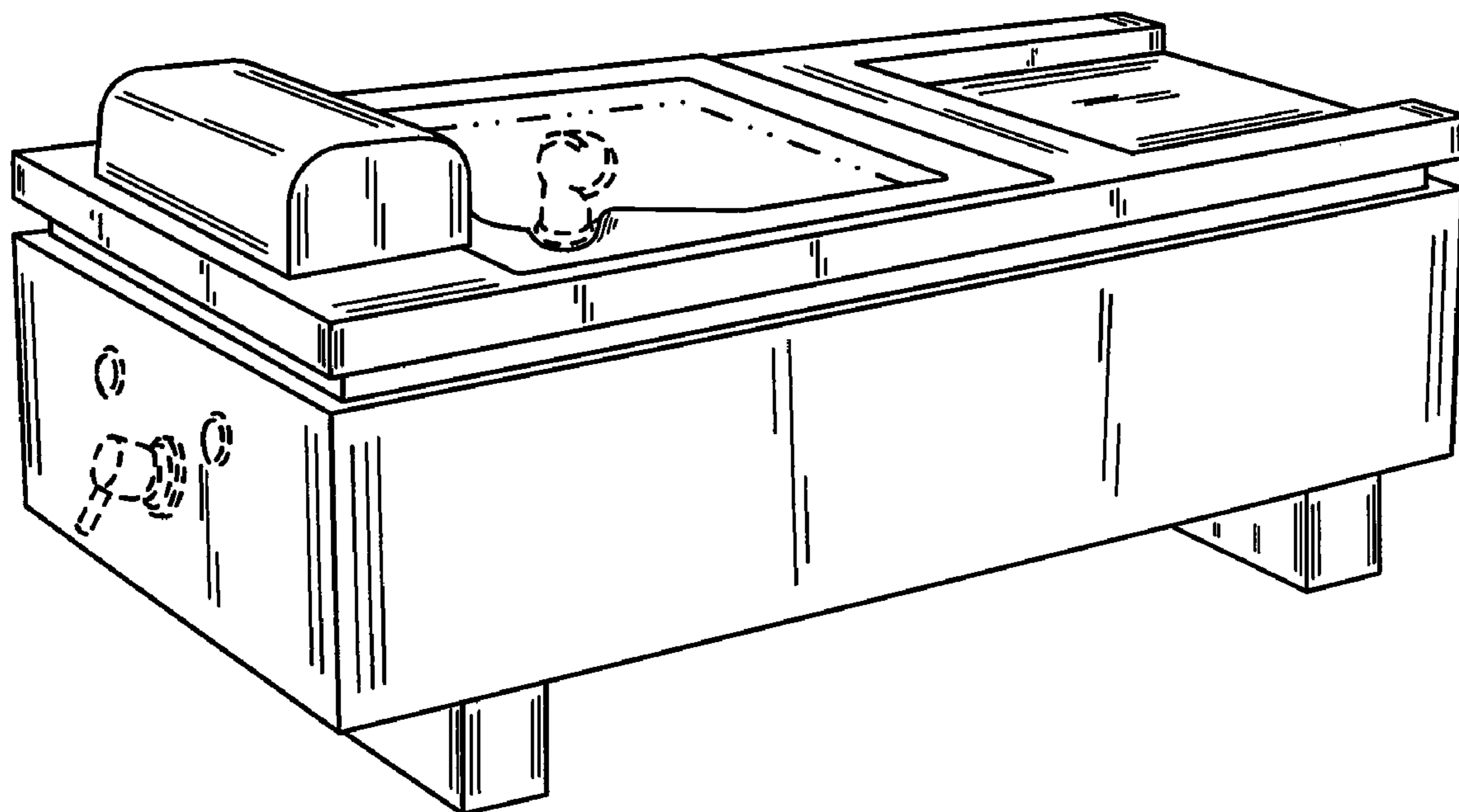
FIG. 2 is a right side view of the pedicure spa shown in FIG. 1, the broken lines shown of a portion of a basin are for illustrative purposes only and forms no part of the claimed design;

FIG. 3 is a perspective view showing the rear, left and upper side of the pedicure spa, the broken lines shown of a portion of a basin are for illustrative purposes only and forms no part of the claimed design;

FIG. 4 is a front view of the pedicure spa shown in FIG. 1; and,

FIG. 5 is a top view of the pedicure spa shown in FIG. 4, the broken lines shown of a portion of a basin are for illustrative purposes only and forms no part of the claimed design.

1 Claim, 3 Drawing Sheets



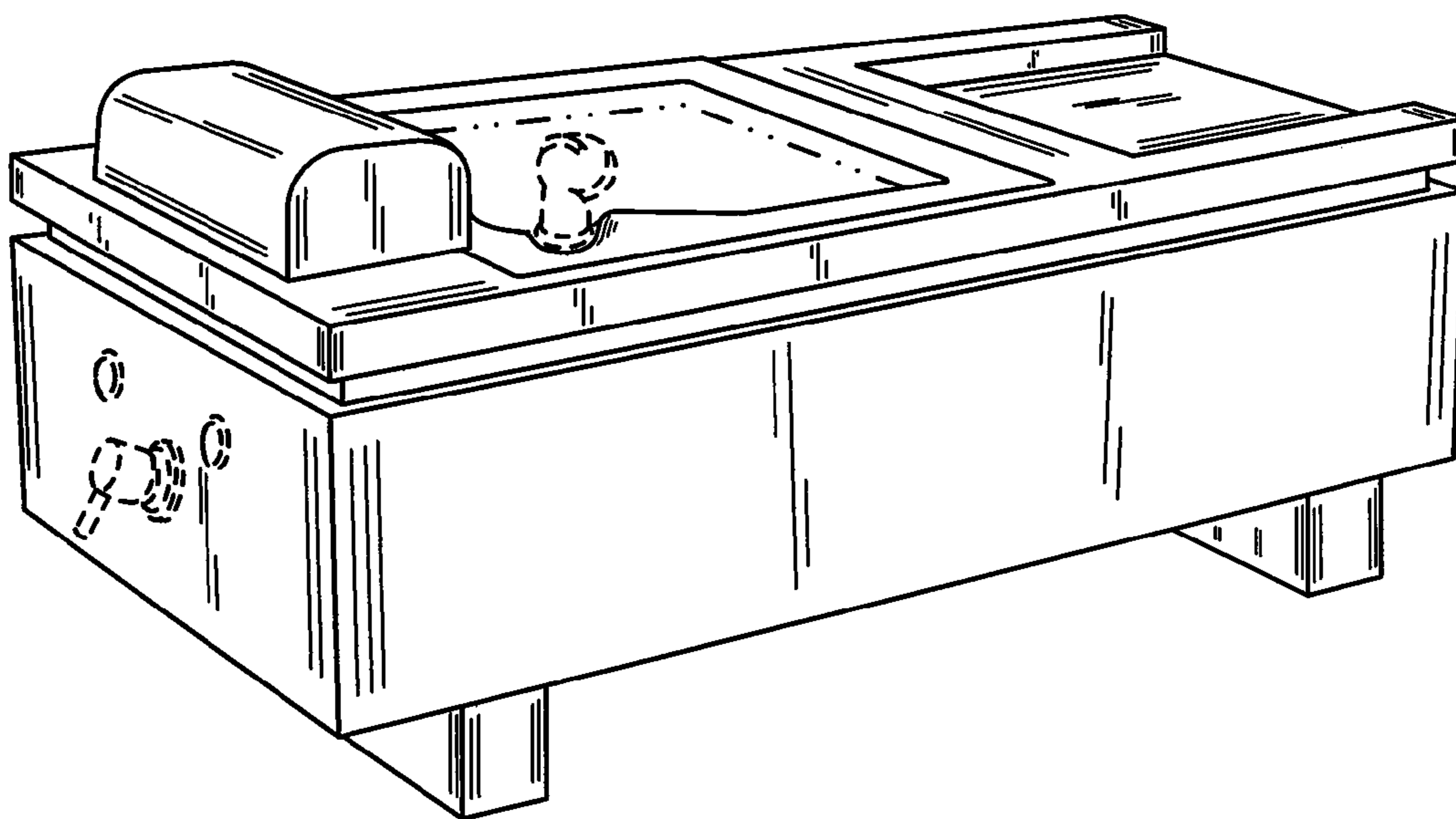


Fig. 1

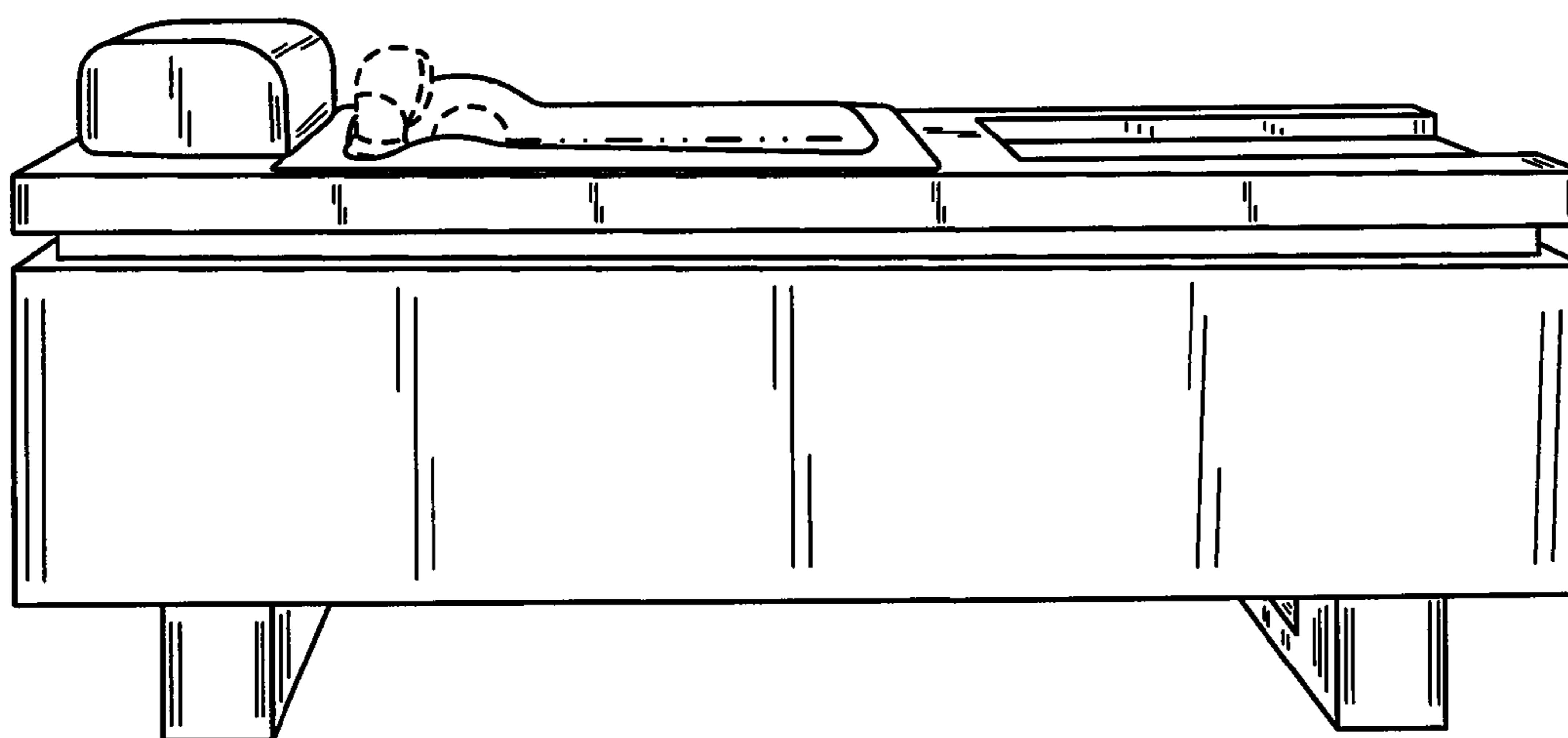


Fig. 2

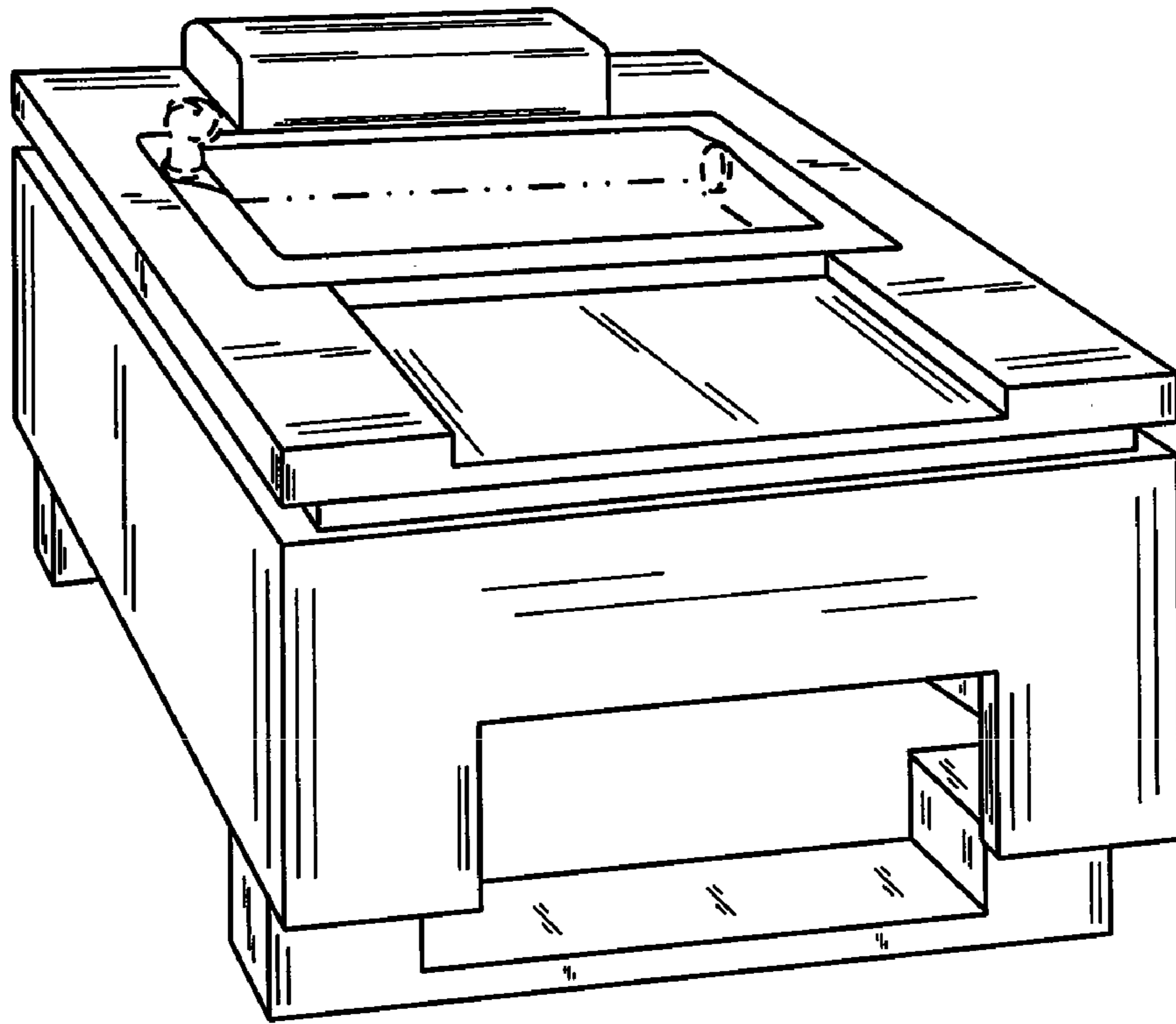


Fig. 3

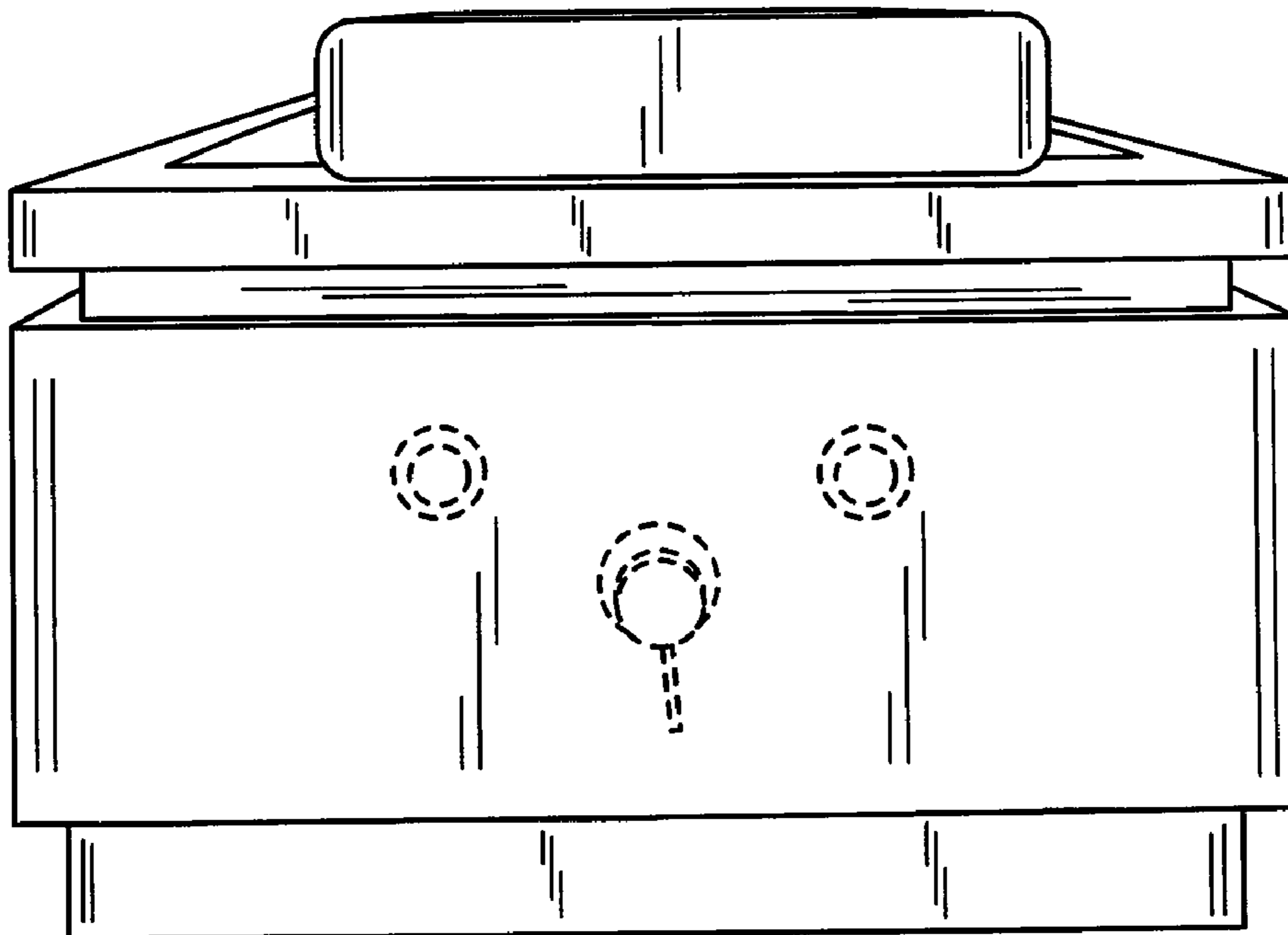


Fig. 4

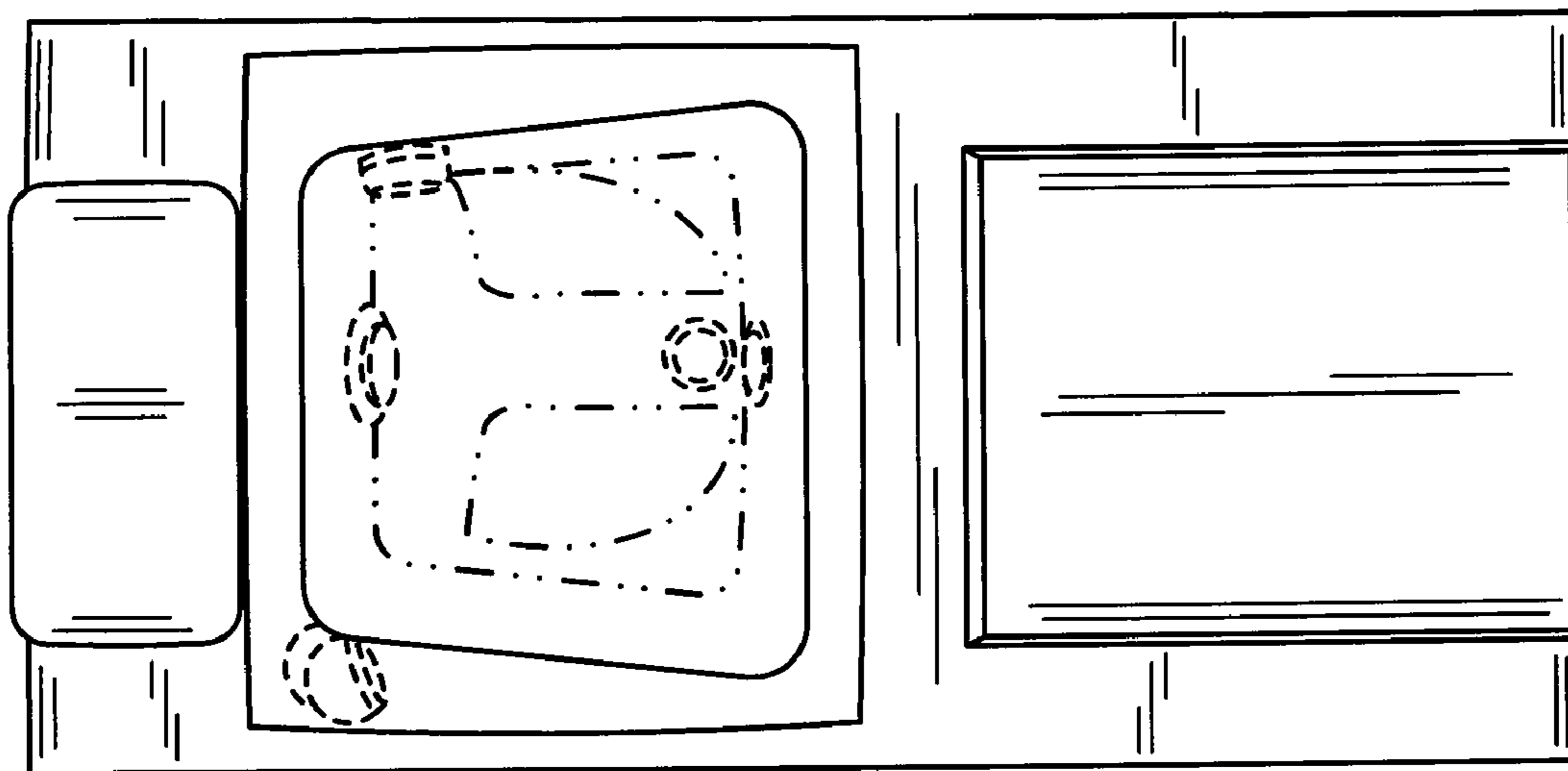


Fig. 5