



US00D546950S

(12) **United States Design Patent**  
**Orth**

(10) **Patent No.:** **US D546,950 S**  
(45) **Date of Patent:** **\*\* Jul. 17, 2007**

(54) **VENTILATOR CHASSIS**

OTHER PUBLICATIONS

- (75) Inventor: **Jeffrey L. Orth**, Salt Lake City, UT (US)
- (73) Assignee: **Bunnell, Inc.**, Salt Lake City, UT (US)
- (\*\*) Term: **14 Years**
- (21) Appl. No.: **29/255,926**
- (22) Filed: **Mar. 14, 2006**
- (51) **LOC (8) Cl.** ..... **24-02**
- (52) **U.S. Cl.** ..... **D24/164**
- (58) **Field of Classification Search** ..... D24/164, D24/185, 186; 600/533, 537, 538; 128/204.12, 128/204.17, 204.18, 204.21-204.23, 204.25  
See application file for complete search history.

Life Pulse TM Chasis of Bunnell Inc.

\* cited by examiner

*Primary Examiner*—Lou Zarfaz  
*Assistant Examiner*—Anhdao Doan

(74) *Attorney, Agent, or Firm*—Holme Roberts & Owen LLP

(57) **CLAIM**

The ornamental design for a ventilator chassis, as shown and described.

**DESCRIPTION**

FIG. 1 is a front perspective view of the ventilator chassis;  
 FIG. 2 is a front view of the ventilator chassis;  
 FIG. 3 is a first side view of the ventilator chassis;  
 FIG. 4 is a second side view of the ventilator chassis;  
 FIG. 5 is a back view of the ventilator chassis;  
 FIG. 6 is a top view of the ventilator chassis; and  
 FIG. 7 is a bottom view of the ventilator chassis.

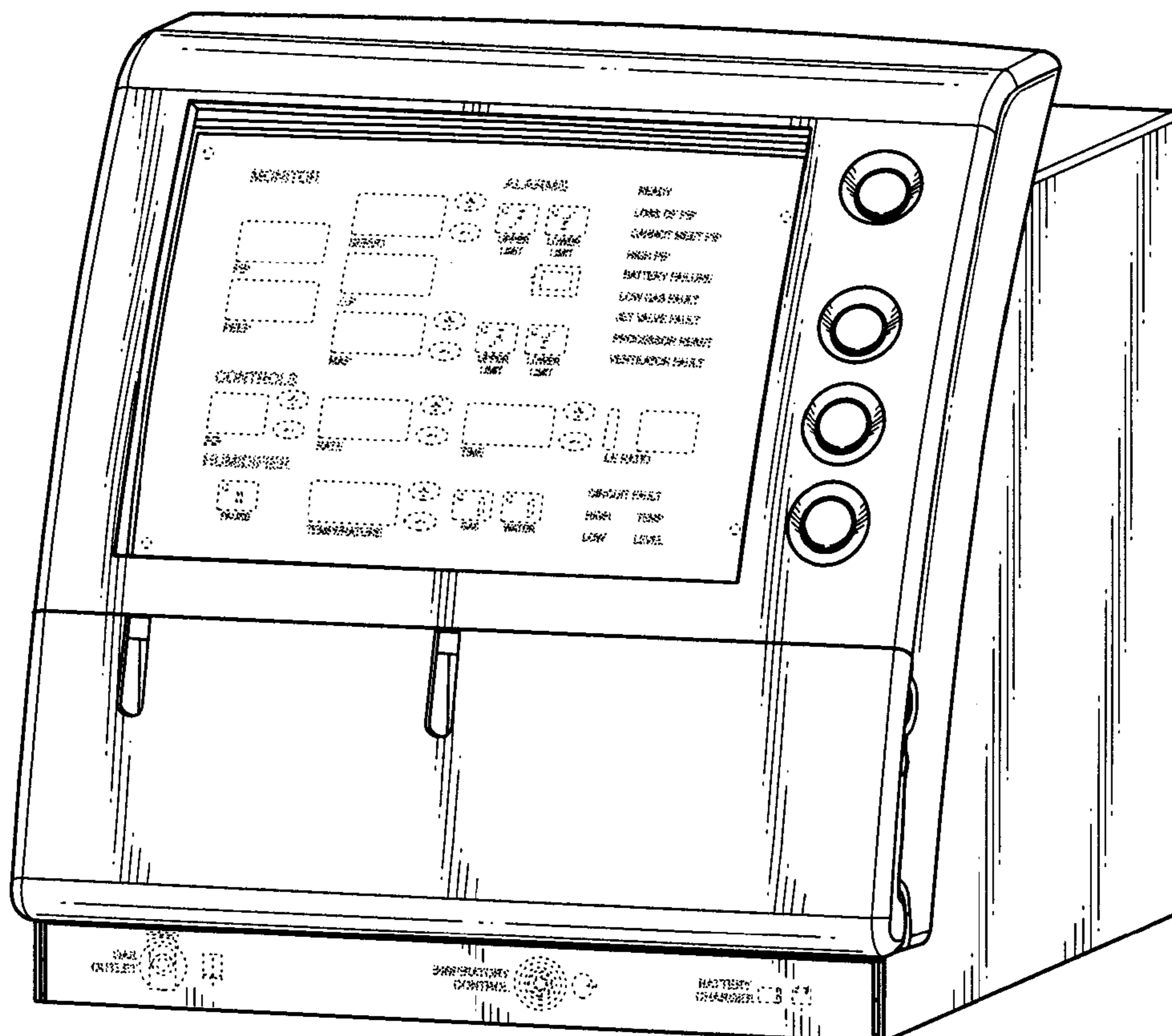
The broken lines in FIGS. 1-7 are for illustrative purposes only and form no part of the claimed design.

(56) **References Cited**

U.S. PATENT DOCUMENTS

- D427,315 S \* 6/2000 Saltzstein et al. .... D24/186
- 6,279,574 B1 8/2001 Richardson et al.
- D459,477 S \* 6/2002 Stocks et al. .... D24/164
- D459,813 S \* 7/2002 Ramsey, III ..... D24/186
- 6,543,449 B1 \* 4/2003 Woodring et al. .... 128/204.18
- D484,982 S \* 1/2004 Cruz et al. .... D24/186
- 2005/0051168 A1 \* 3/2005 DeVries et al. .... 128/204.21

**1 Claim, 4 Drawing Sheets**



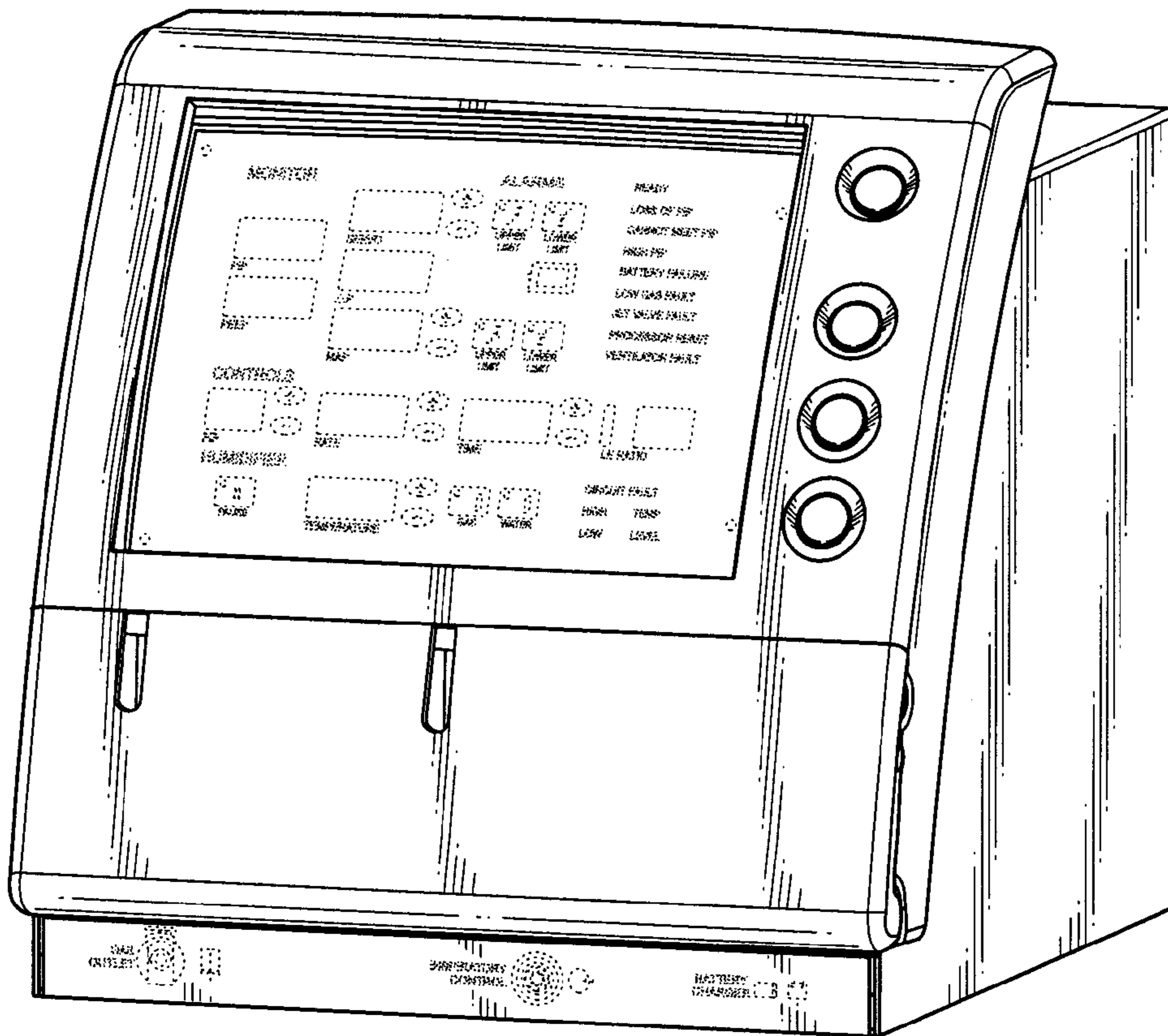


FIG. 1

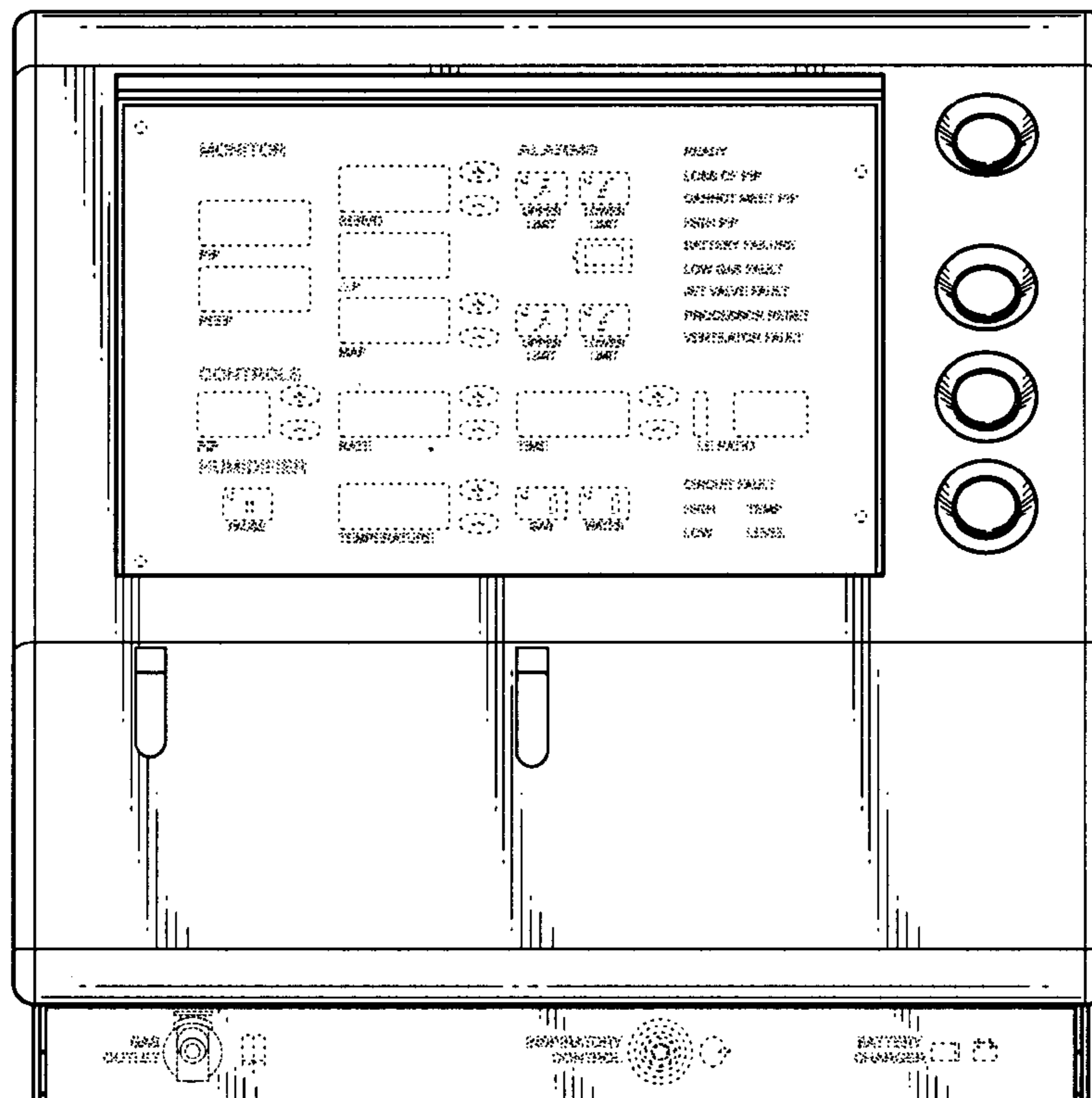
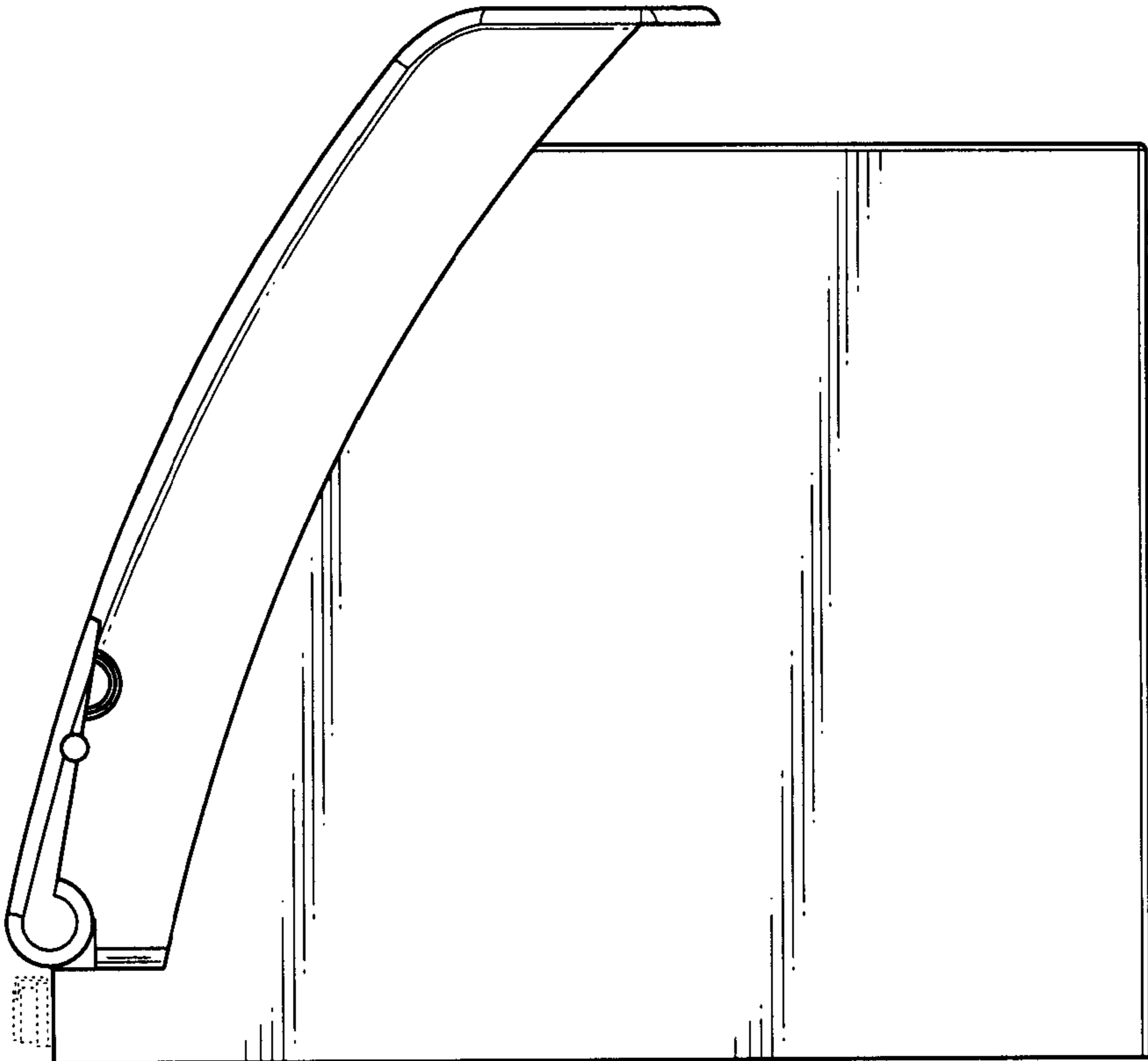
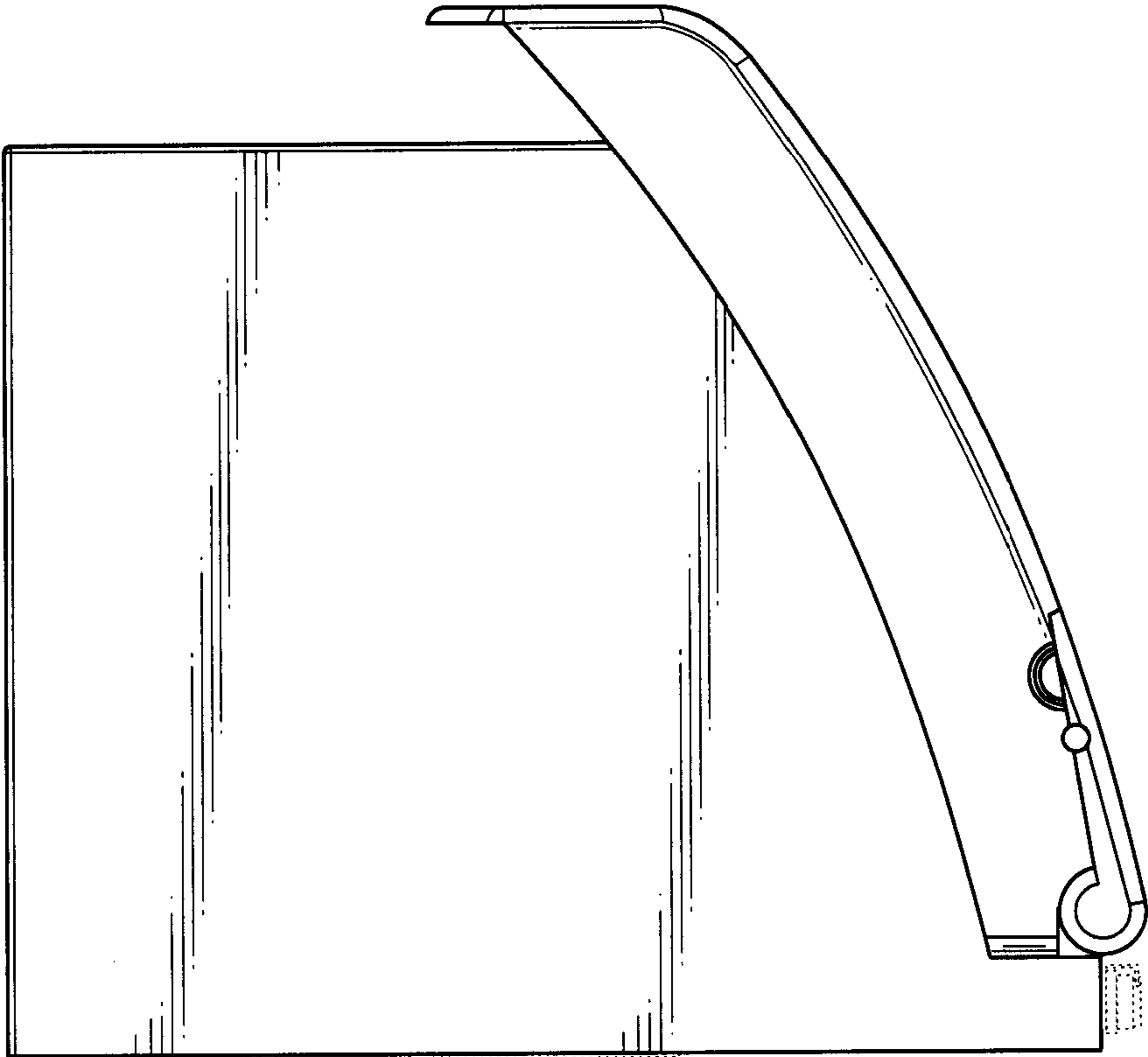


FIG. 2



**FIG. 3**



**FIG. 4**

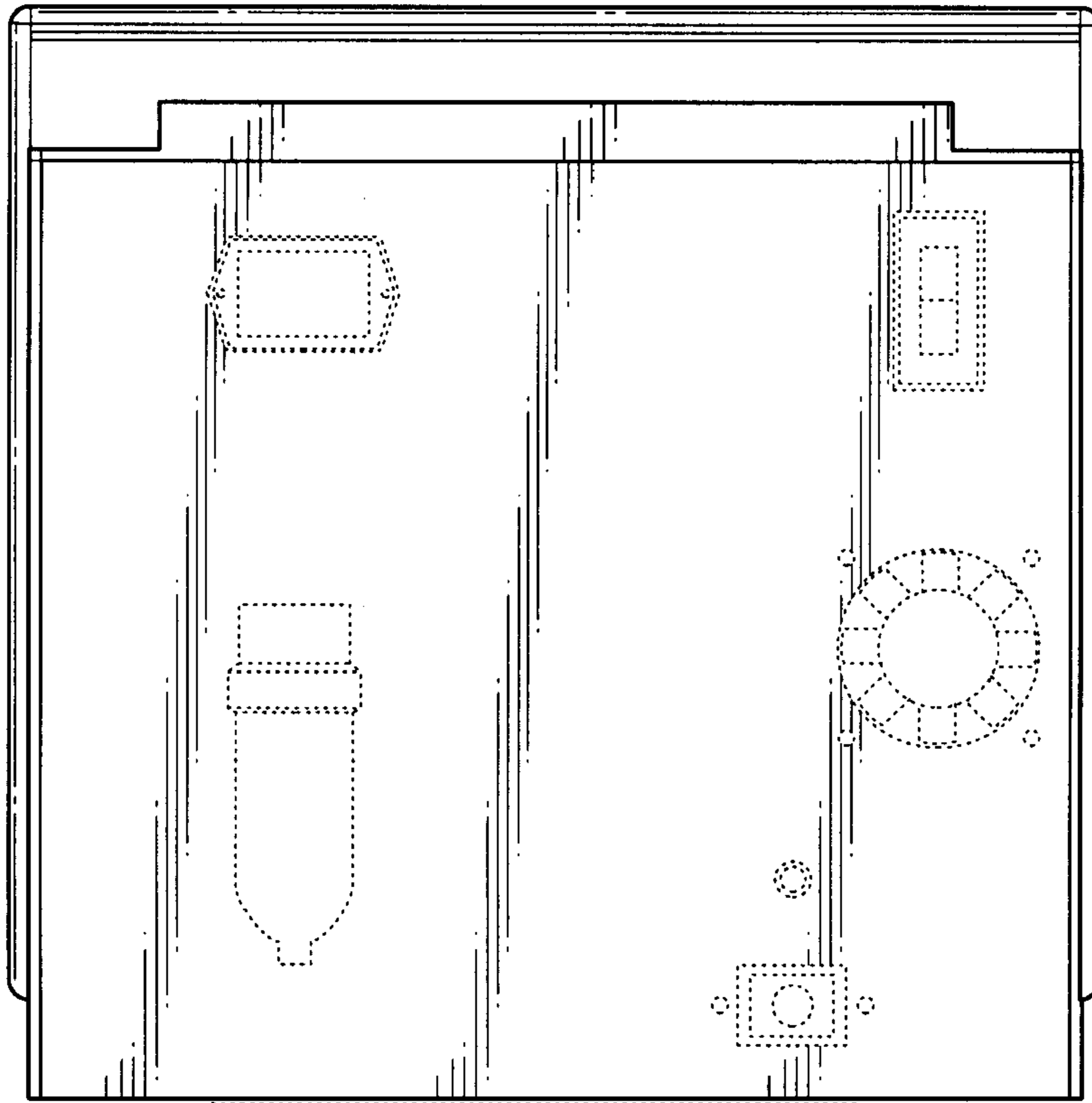


FIG. 5

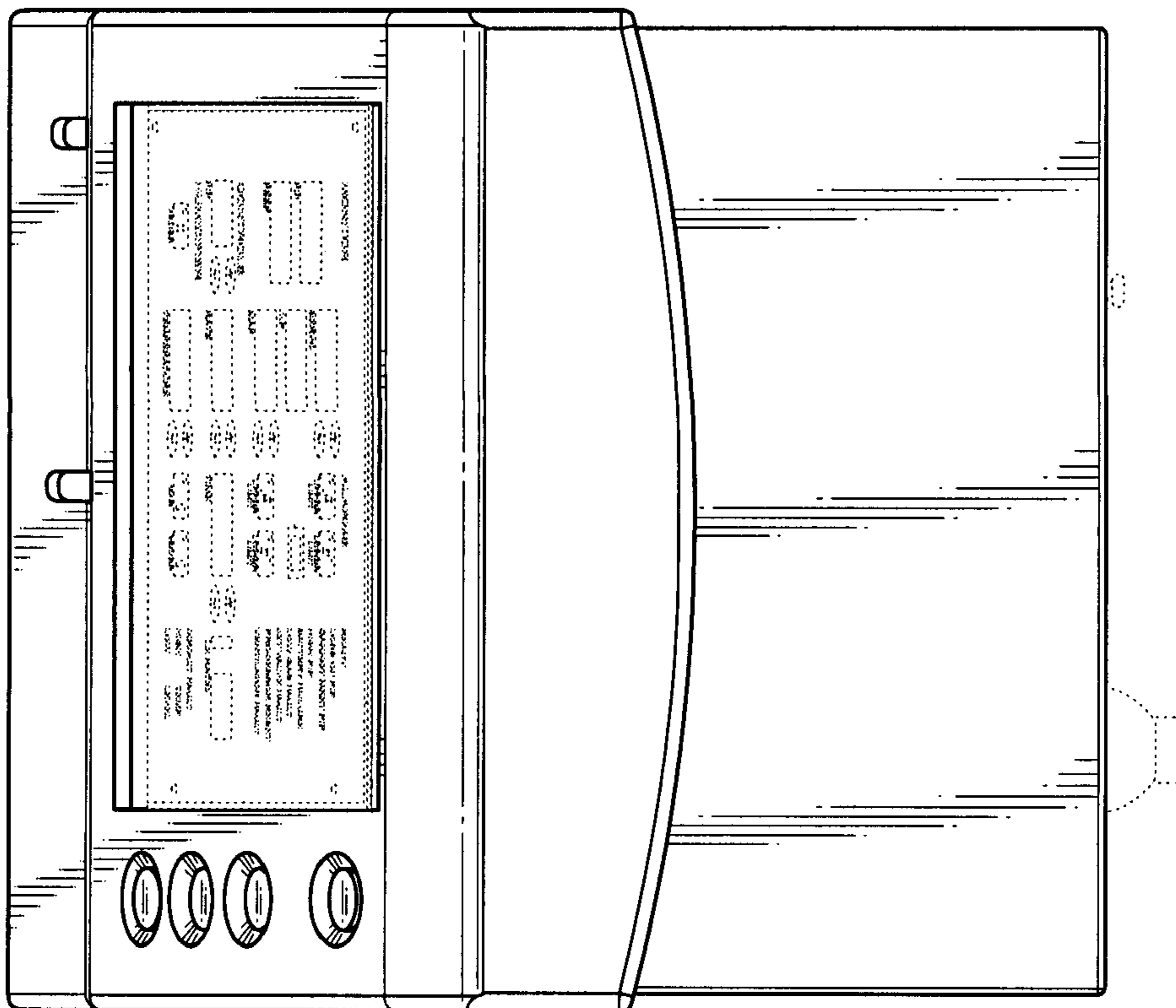
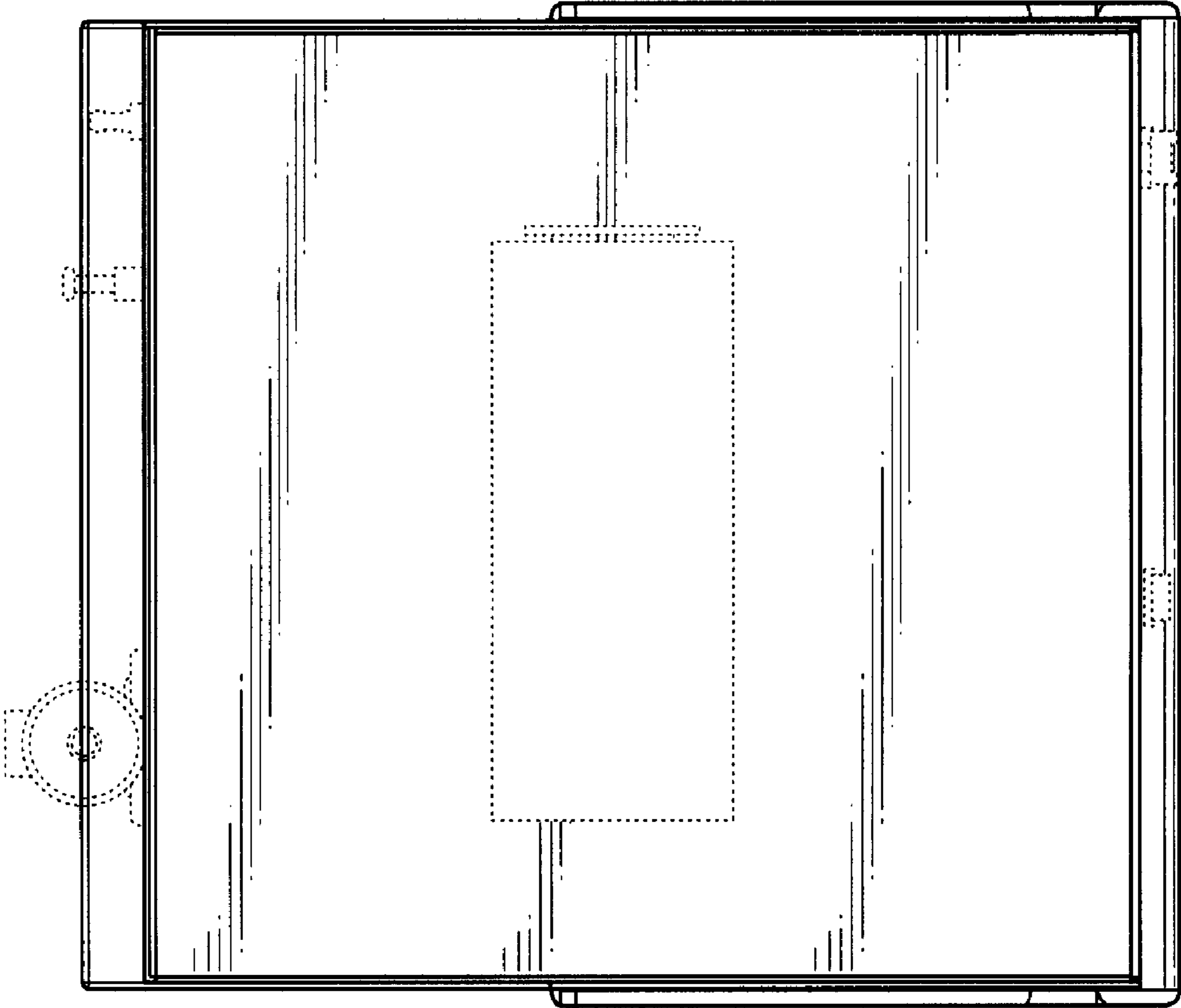


FIG. 6



**FIG. 7**