

US00D546947S

(12) **United States Design Patent**
Nalagatla et al.

(10) **Patent No.:** **US D546,947 S**

(45) **Date of Patent:** **** Jul. 17, 2007**

(54) **CONNECTOR FOR ORAL NASAL CANNULA**

(75) Inventors: **Anil K. Nalagatla**, Mason, OH (US);
Tommy C. Cushing, McKinney, TX
(US); **Louis Sabo**, Coupland, TX (US);
Lee K. Kulle, Krugerville, TX (US);
Donald L. Reynolds, West Chester, OH
(US); **Richard W. Flaker**, Fairfield,
OH (US)

(73) Assignee: **Ethicon Endo-Surgery, Inc.**,
Cincinnati, OH (US)

(**) Term: **14 Years**

(21) Appl. No.: **29/235,431**

(22) Filed: **Aug. 2, 2005**

(51) **LOC (8) Cl.** **24-02**

(52) **U.S. Cl.** **D24/129**

(58) **Field of Classification Search** D24/108,
D24/110.5, 111, 118, 129, 224, 245; D23/233;
128/207.18; 604/131, 141

See application file for complete search history.

(56) **References Cited**

U.S. PATENT DOCUMENTS

D362,062 S * 9/1995 Botts et al. D24/129
D404,831 S * 1/1999 Yamazaki et al. D24/224
D453,568 S * 2/2002 Klepsvik D24/110.5

D455,489 S * 4/2002 Beck et al. D24/111
D465,843 S * 11/2002 Guala D24/129
D476,414 S * 6/2003 Buck et al. D24/111
D499,173 S * 11/2004 Plath D23/245
6,843,782 B2 * 1/2005 Gross et al. 604/141
2003/0200970 A1 * 10/2003 Stenzler et al. 128/207.18
2006/0042633 A1 * 3/2006 Bishop et al. 128/207.18

* cited by examiner

Primary Examiner—Louis S. Zarfaz

Assistant Examiner—Eric L. Goodman

(74) *Attorney, Agent, or Firm*—Verne E. Kreger, Jr.

(57) **CLAIM**

The ornamental design for a connector for an oral nasal cannula, as shown and described.

DESCRIPTION

FIG. 1 is a perspective view of a connector for oral nasal cannula as seen from the top, front and left sides;

FIG. 2 is a top plan view thereof;

FIG. 3 is a front elevation view thereof;

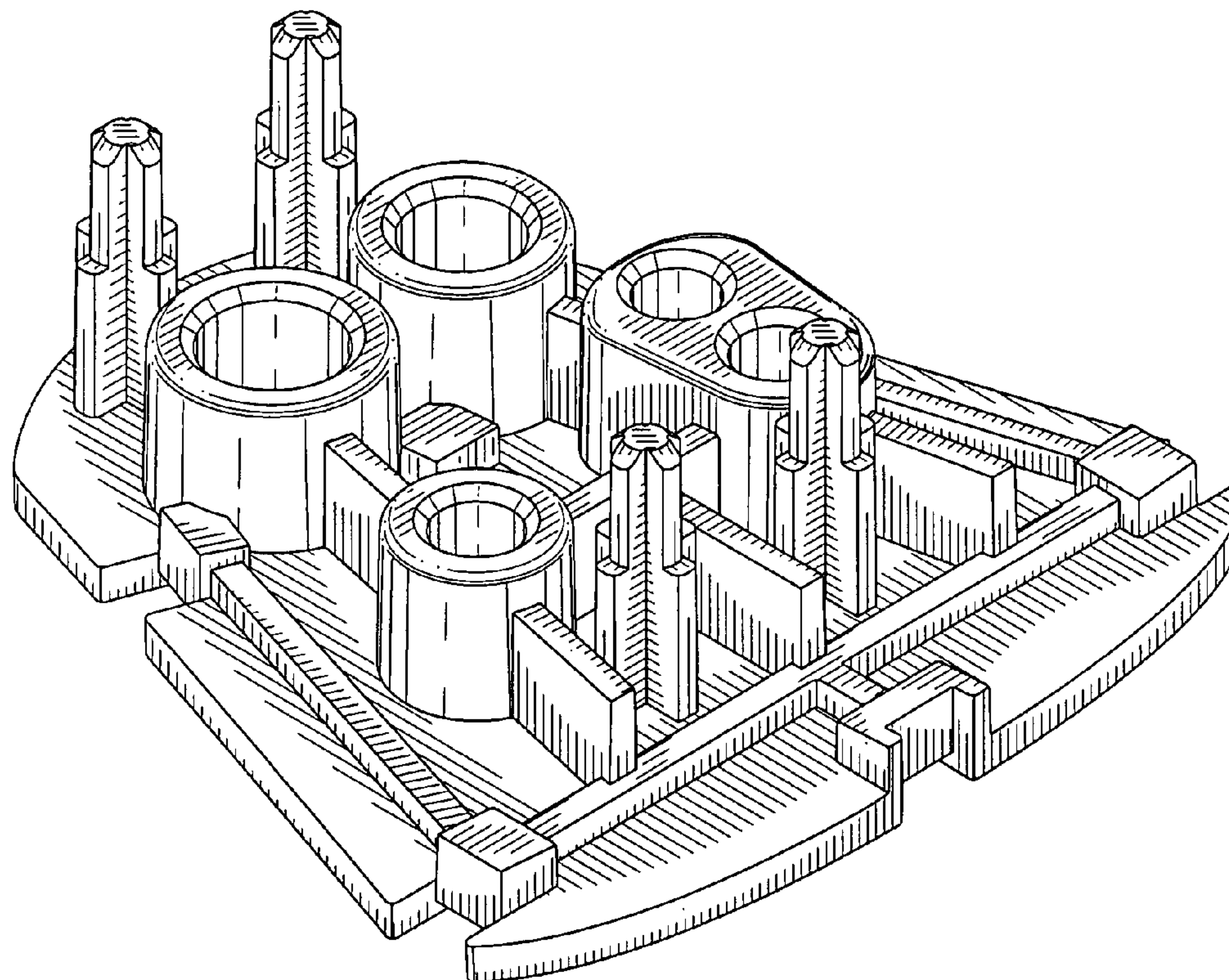
FIG. 4 is a rear elevation view thereof;

FIG. 5 is a right side elevation view thereof; and,

FIG. 6 is a left side elevation view thereof.

The broken lines showing on the bottom of FIGS. 3-6 are for illustrative purposes and form no part of the claimed design.

1 Claim, 4 Drawing Sheets



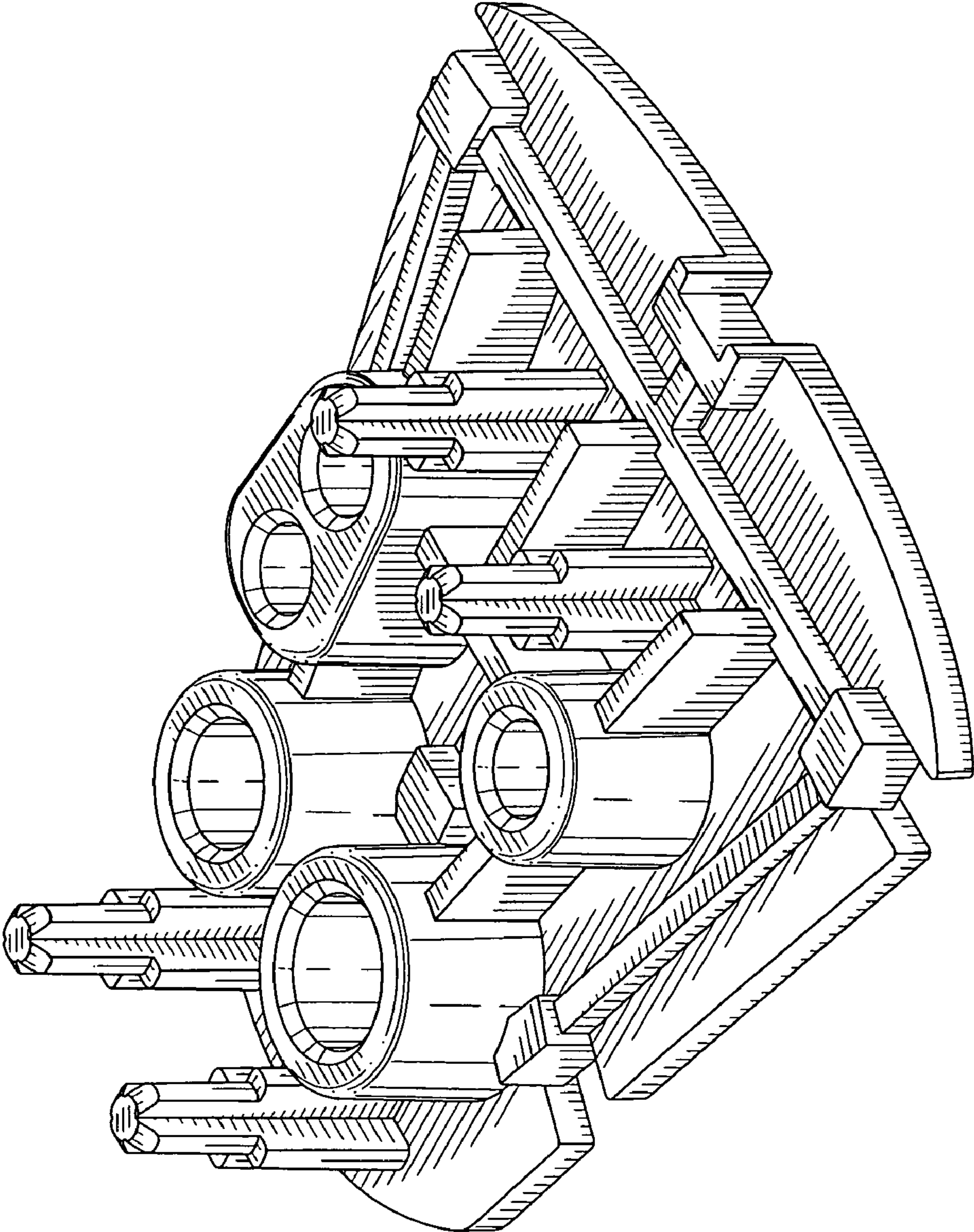


FIG. 1

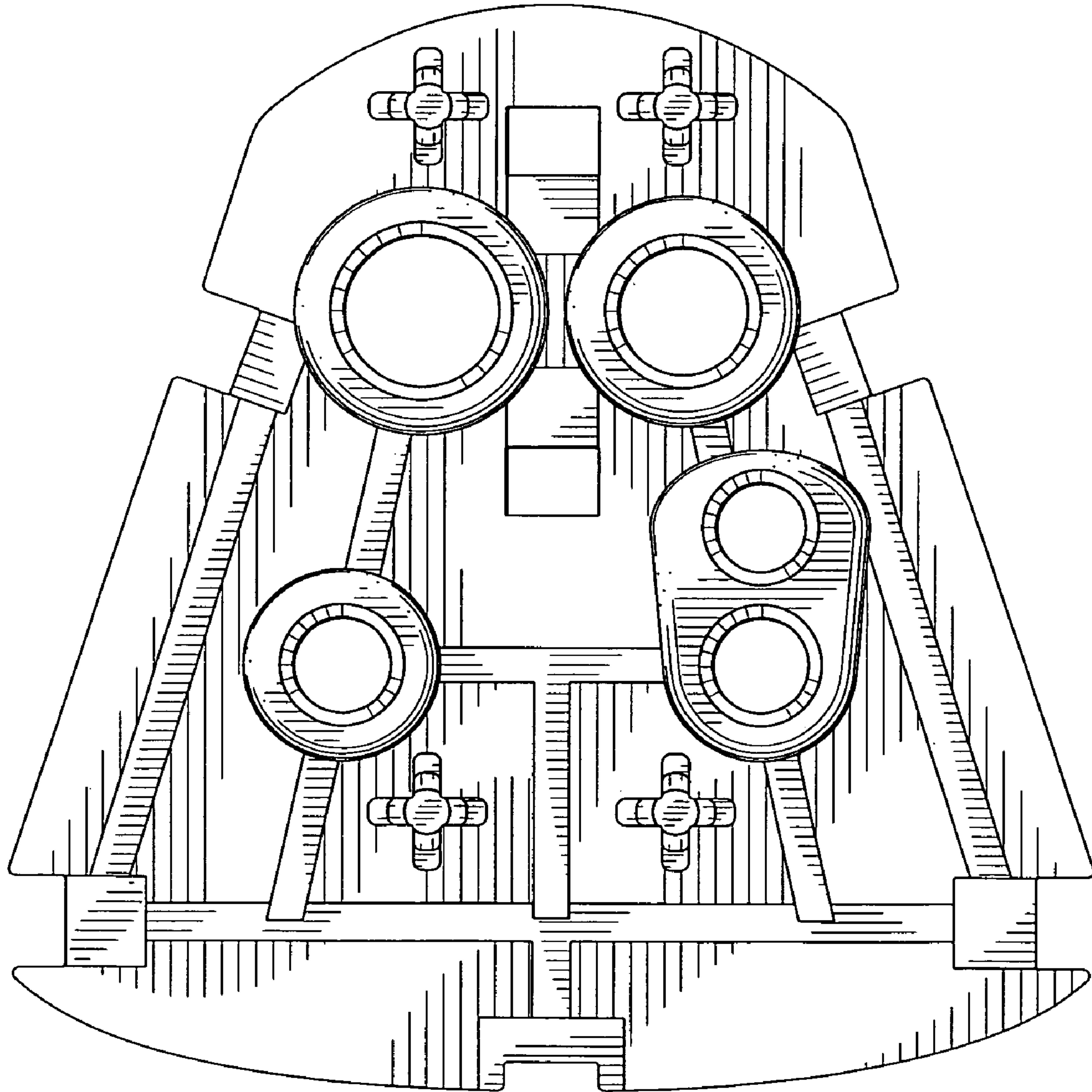


FIG. 2

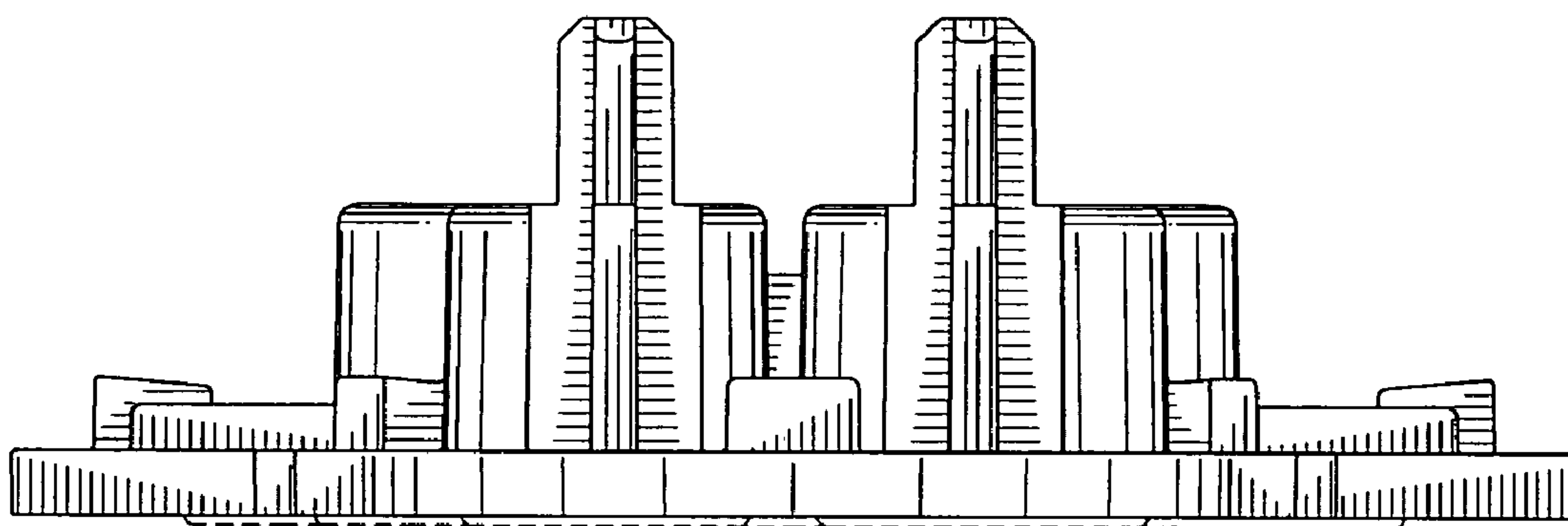


FIG. 3

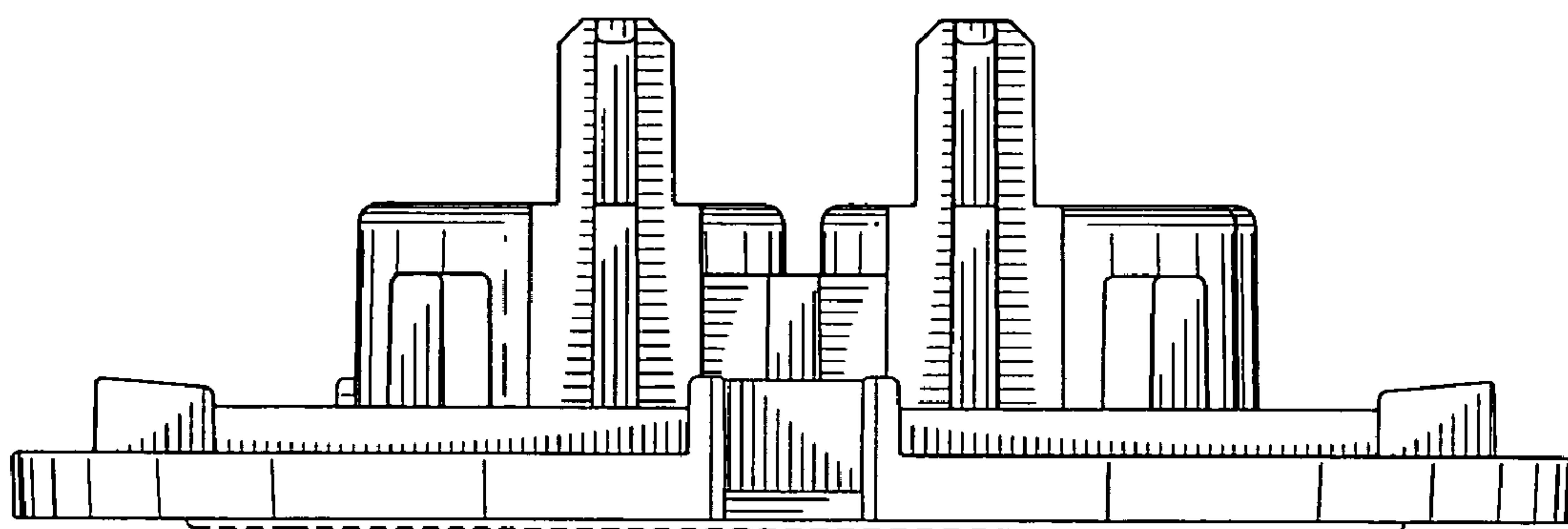


FIG. 4

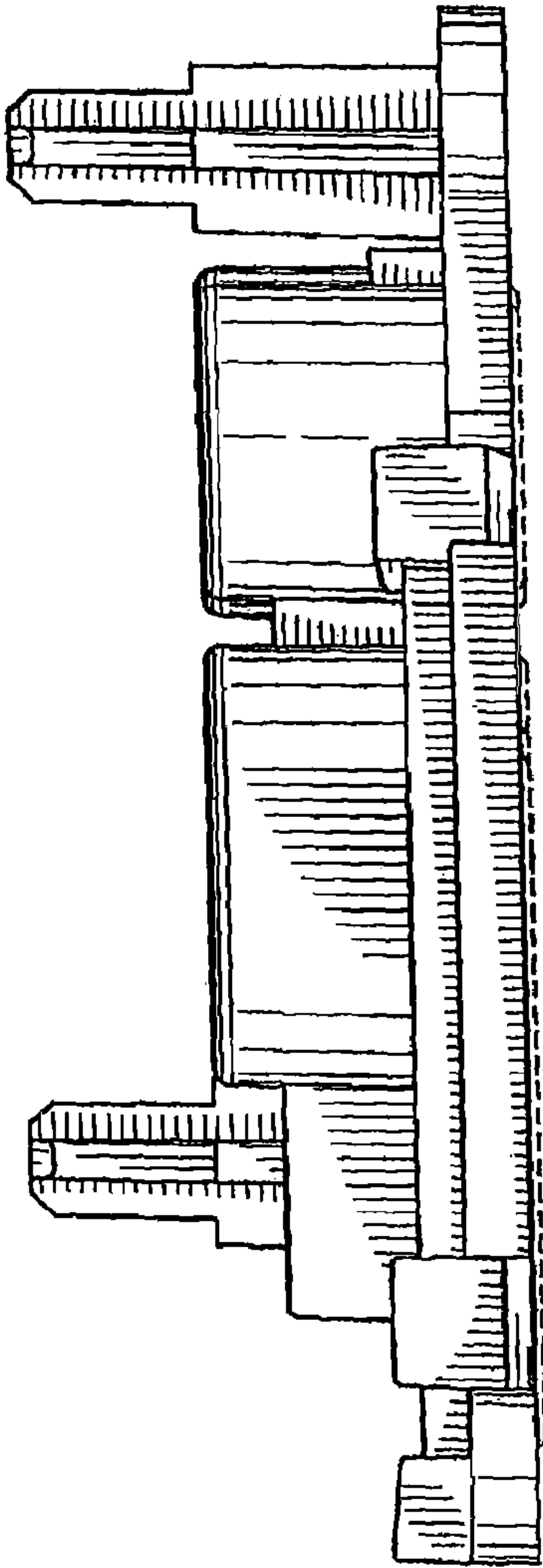


FIG. 5

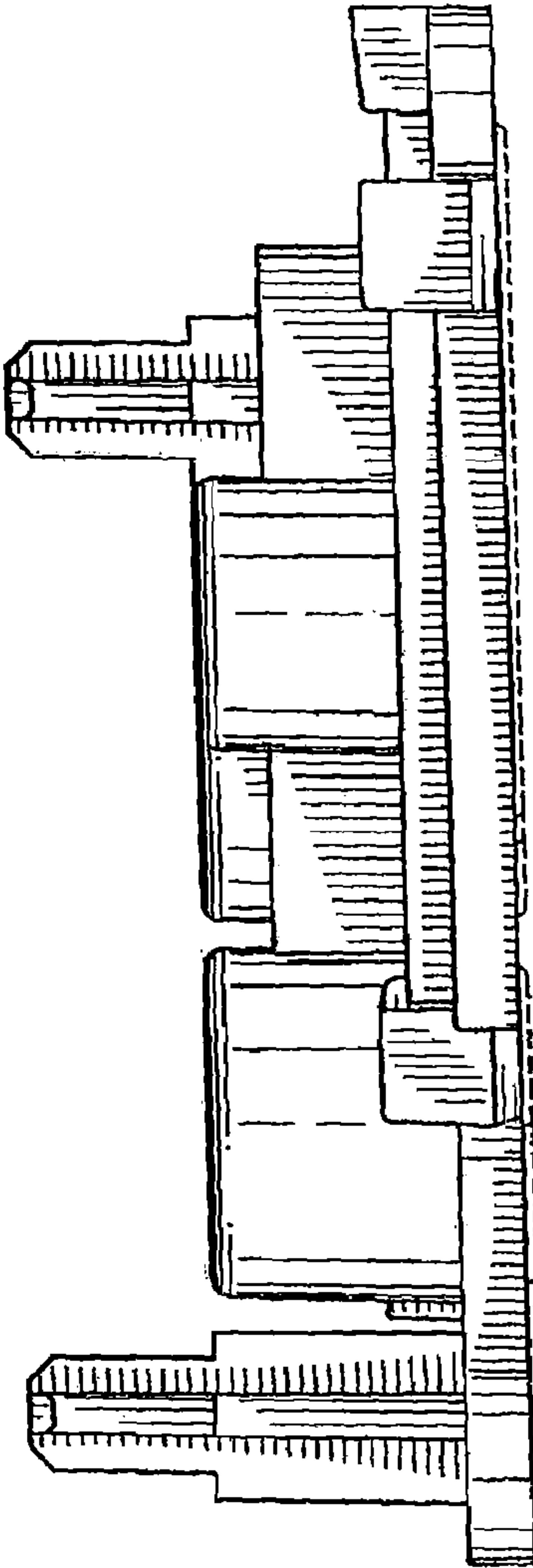


FIG. 6