



US00D546946S

(12) **United States Design Patent**  
**Blake et al.**

(10) **Patent No.:** **US D546,946 S**  
(45) **Date of Patent:** **\*\* Jul. 17, 2007**

(54) **UNIVERSAL VALVE FOR FOLEY TYPE URINARY CATHETER**

(75) Inventors: **William S. Blake**, Linwood, NJ (US);  
**William J. Dwyer**, 18 Angela Cir.,  
Hazlet, NJ (US) 07730

(73) Assignee: **William J. Dwyer**, Hazlet, NJ (US)

(\*\*) Term: **14 Years**

(21) Appl. No.: **29/225,555**

(22) Filed: **Mar. 17, 2005**

(51) **LOC (8) Cl.** ..... **24-01**

(52) **U.S. Cl.** ..... **D24/129**

(58) **Field of Classification Search** ..... D24/129;  
D23/213, 223, 229, 247, 262; D7/669; 226/127;  
251/342; 604/6.1, 199, 246, 249, 544  
See application file for complete search history.

(56) **References Cited**

U.S. PATENT DOCUMENTS

3,707,972	A *	1/1973	Villari et al. ....	604/249
4,397,442	A *	8/1983	Larkin .....	251/342
4,671,786	A *	6/1987	Krug .....	604/6.1
4,858,810	A *	8/1989	Intlekofer et al. ....	226/127
D305,355	S *	1/1990	Bricker .....	D23/247
D371,426	S *	7/1996	Darin .....	D23/213
D372,072	S *	7/1996	Hutcherson et al. ....	D23/223

D387,147	S *	12/1997	Vandermast et al. ....	D23/262
D388,501	S *	12/1997	Clivio .....	D23/213
D403,407	S *	12/1998	Hui-Chen .....	D23/213
5,851,200	A *	12/1998	Higashikawa et al. ....	604/199
D408,495	S *	4/1999	Adams .....	D23/213
D424,165	S *	5/2000	Guo .....	D23/229
D478,662	S *	8/2003	Flinchbaugh .....	D24/129
6,902,146	B1 *	6/2005	Elliott .....	251/351
D520,107	S *	5/2006	Jones et al. ....	D23/213

\* cited by examiner

*Primary Examiner*—Louis S. Zarfaz

*Assistant Examiner*—Eric L. Goodman

(74) *Attorney, Agent, or Firm*—Robert M. Skolnik

(57) **CLAIM**

The ornamental design for a universal valve for foley type urinary catheter, as shown and described.

**DESCRIPTION**

FIG. 1 is perspective view of the new design;

FIG. 2 is a front plan view thereof, the rear view being identical;

FIG. 3 is a right side plan view thereof, the left side view being identical;

FIG. 4 is a top plan view thereof; and,

FIG. 5 is a bottom plan view thereof.

**1 Claim, 2 Drawing Sheets**

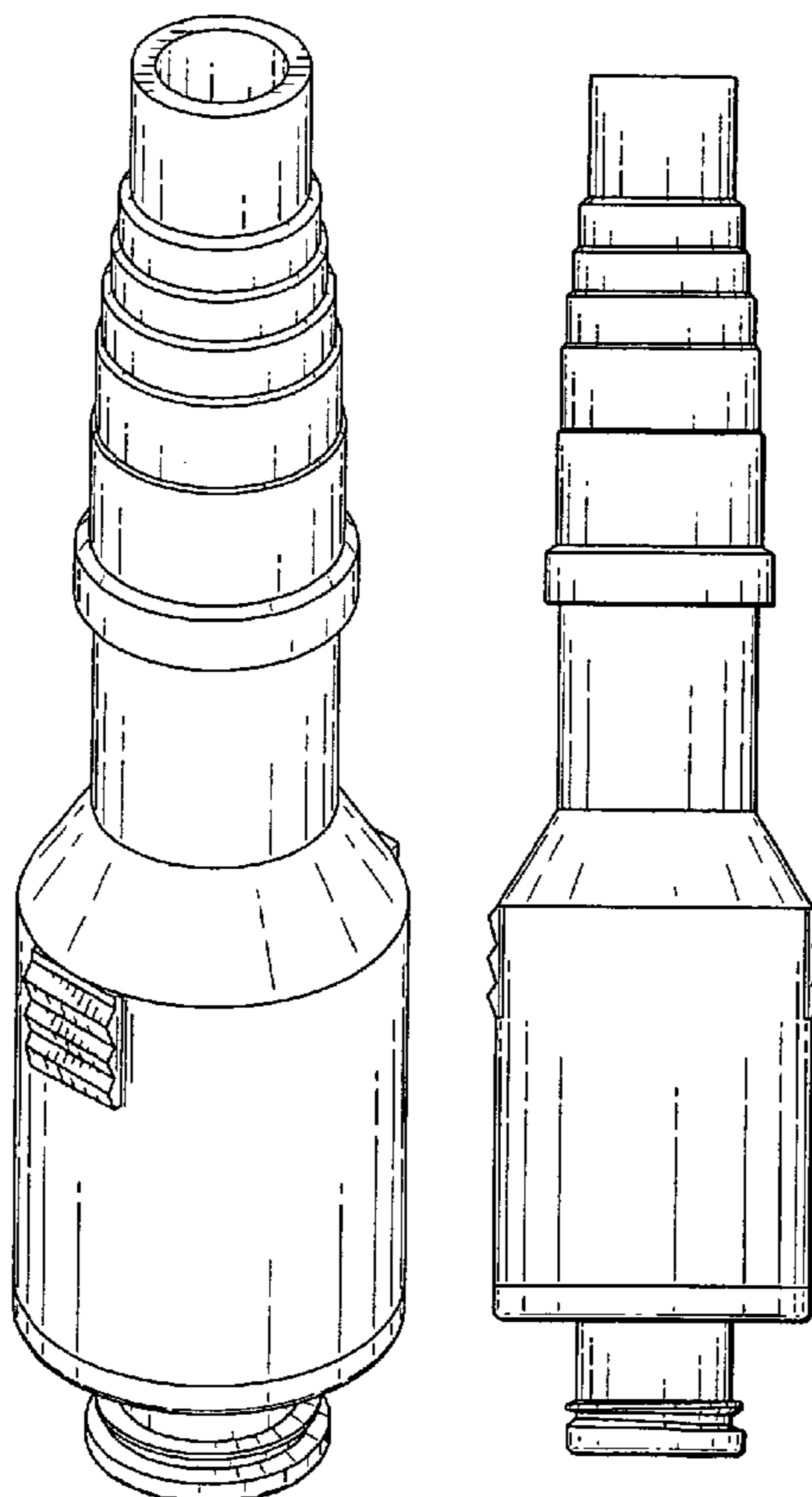


FIG. 1

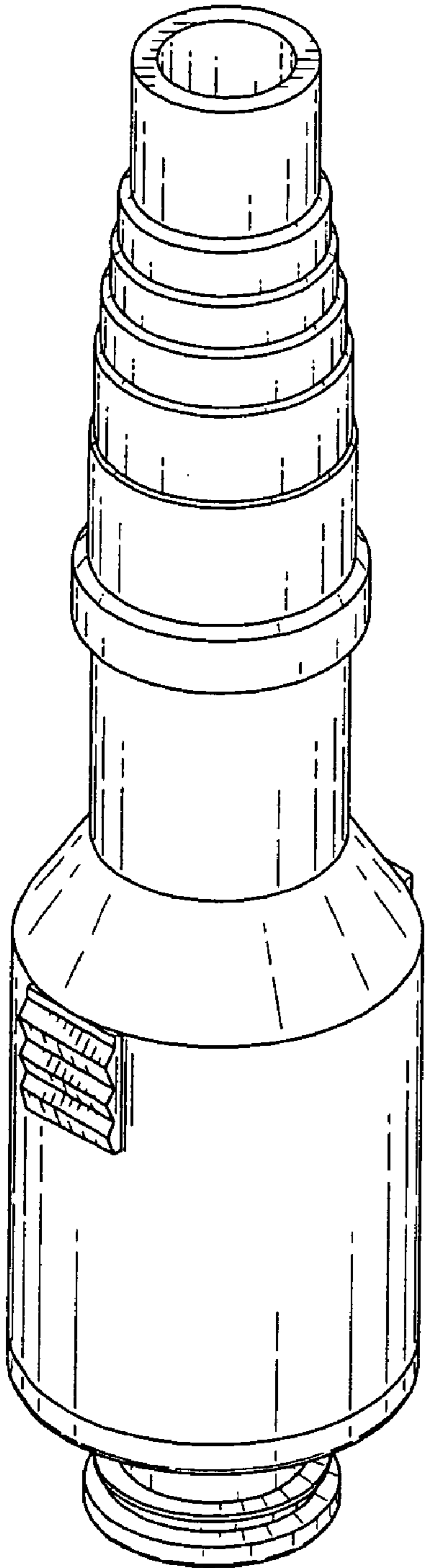
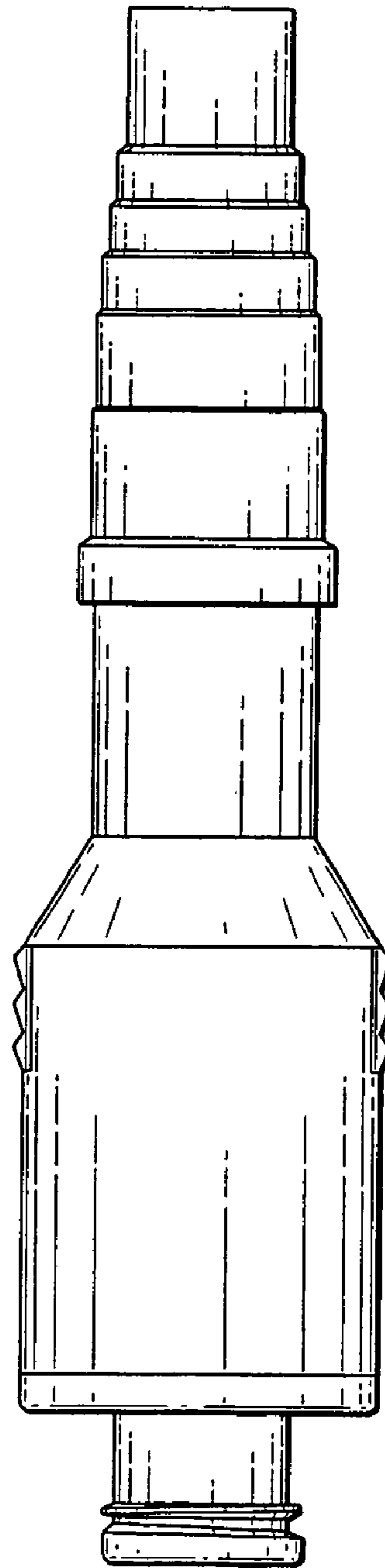
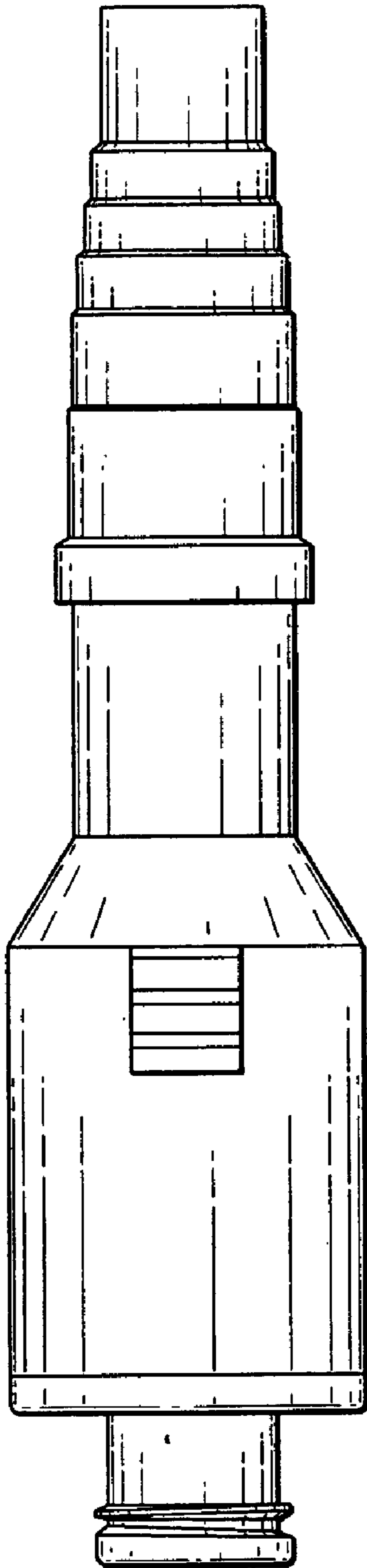


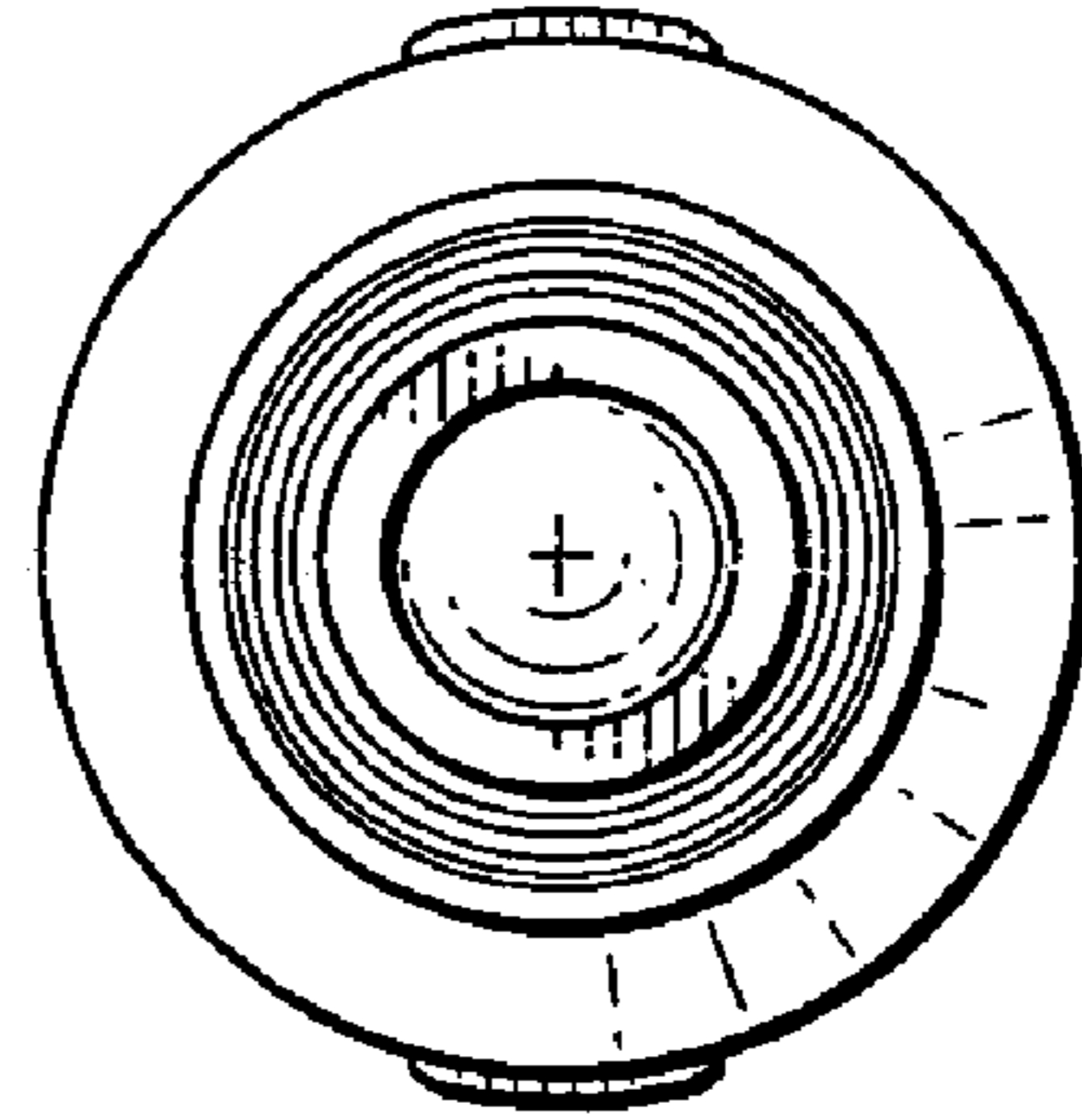
FIG. 2



*FIG. 3*



*FIG. 4*



*FIG. 5*

