

US00D546944S

(12) **United States Design Patent**  
**Kammer et al.**

(10) **Patent No.:** **US D546,944 S**

(45) **Date of Patent:** **\*\* Jul. 17, 2007**

(54) **HOSPITAL BASIN WITH PROTRUSIONS**

(75) Inventors: **Patrick Kammer**, Greensboro, NC  
(US); **Todd Cassidy**, Mocksville, NC  
(US); **Mark Martel**, Belews Creek, NC  
(US)

(73) Assignee: **C Change Surgical LLC**,  
Winston-Salem, NC (US)

(\*\*) Term: **14 Years**

(21) Appl. No.: **29/226,154**

(22) Filed: **Mar. 24, 2005**

(51) **LOC (8) Cl.** ..... **24-04**

(52) **U.S. Cl.** ..... **D24/123**

(58) **Field of Classification Search** ..... D24/123,  
D24/122, 132, 216, 224, 121; D23/293.1,  
D23/295; 604/6.15, 318, 317; D7/553.6,  
D7/608, 534.2, 401; 4/223, 258, 263, 905,  
4/619; 220/573.1, 574, 912, DIG. 14, 606,  
220/639, 890; 119/61.5, 51.01, 72, 75; 392/447;  
219/437, 438, 430; 206/423, 502; 229/406;  
99/339, 340

See application file for complete search history.

(56) **References Cited**

**U.S. PATENT DOCUMENTS**

189,590	A *	4/1877	Write	220/606
199,370	A *	1/1878	Kearns	220/606
255,165	A *	3/1882	Hale	220/636
269,054	A *	12/1882	Hemstager	220/574
298,287	A *	5/1884	Cochran et al.	220/890
1,797,963	A *	3/1931	Neller	119/75
1,811,896	A *	6/1931	Rosws	4/619
3,374,936	A *	3/1968	Colato	229/406
3,698,594	A *	10/1972	Boehlert	220/495.01
D298,452	S *	11/1988	Carter	D23/293.1

5,129,033	A *	7/1992	Ferrara et al.	392/447
6,255,627	B1 *	7/2001	Faries et al.	219/430
6,401,602	B1 *	6/2002	Lin	99/339
6,457,601	B1 *	10/2002	Chappell	220/573.4
6,711,989	B1 *	3/2004	Sarnoff	99/340
2001/0045188	A1 *	11/2001	Tsengas	119/51.01
2005/0267425	A1 *	12/2005	Castora et al.	604/317

**OTHER PUBLICATIONS**

<http://medegen.com/mmp/Products.asp?Catalog=OR&Section=ORBAOR>, as represented by Google as being retrieved by Google on Dec. 19, 2004. The Google link to this stored page is: [http://www.google.com/search?q=cache:E\\_6EPHX3NuwJ:medegen.com/mmp/Products.asp%3FCatalog%3DOR%26Section%3DORBAOR+ring+basin+medical+2004+medegen&hl=en](http://www.google.com/search?q=cache:E_6EPHX3NuwJ:medegen.com/mmp/Products.asp%3FCatalog%3DOR%26Section%3DORBAOR+ring+basin+medical+2004+medegen&hl=en).

\* cited by examiner

*Primary Examiner*—Louis Zarfaz

*Assistant Examiner*—David Muller

(74) *Attorney, Agent, or Firm*—The Eclipse Group LLP;  
Kevin E. Flynn

(57) **CLAIM**

The ornamental design for a hospital basin with protrusions, as shown and described.

**DESCRIPTION**

FIG. 1 is a bottom and side perspective view.

FIG. 2 is a side plan view.

FIG. 3 is a bottom plan view.

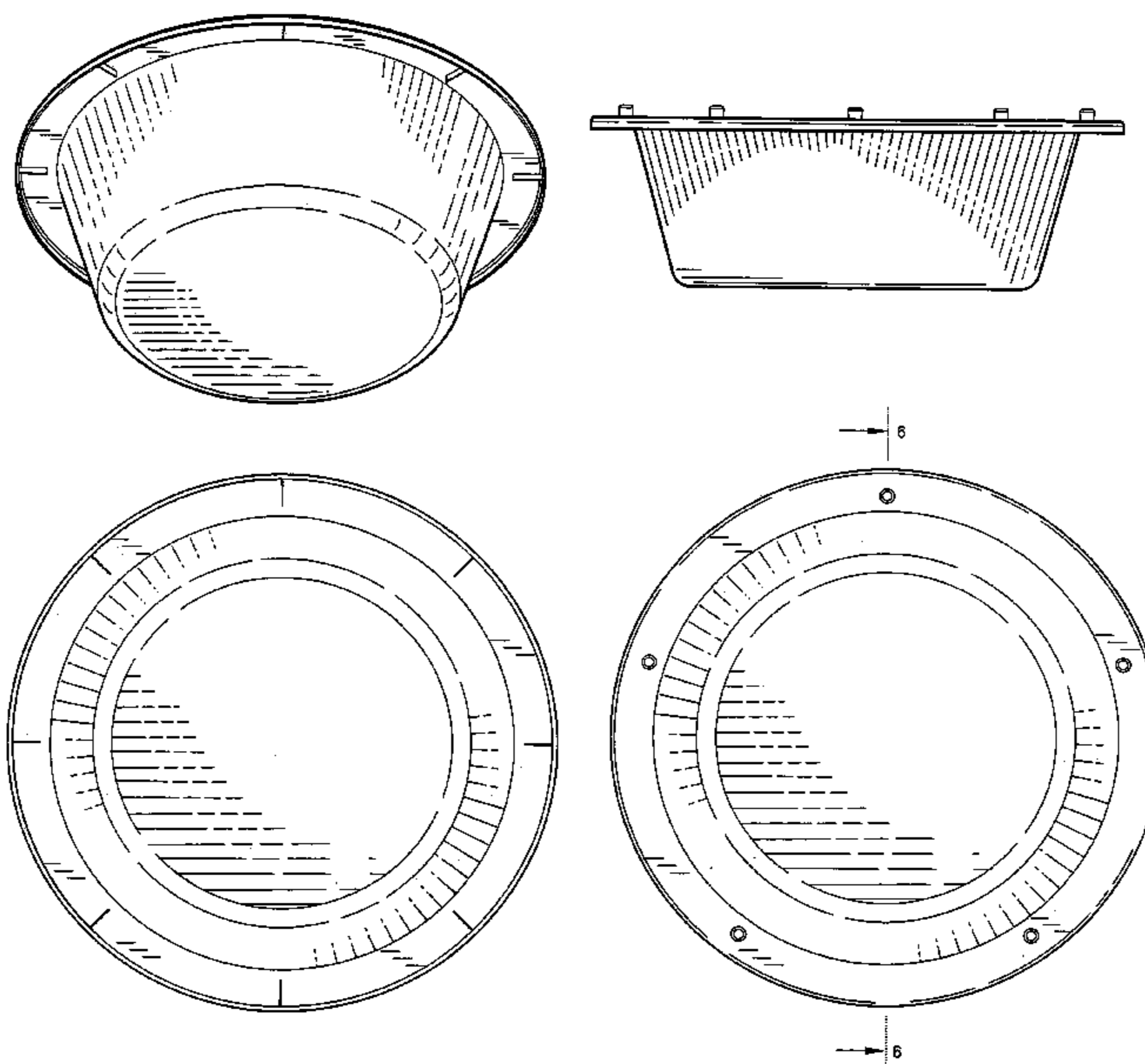
FIG. 4 is a top plan view.

FIG. 5 is a top and side perspective view.

FIG. 6 is a view of the cross section of the basin taken in FIG. 4; and,

FIG. 7 is a top perspective view of the cross section in FIG. 6.

**1 Claim, 5 Drawing Sheets**



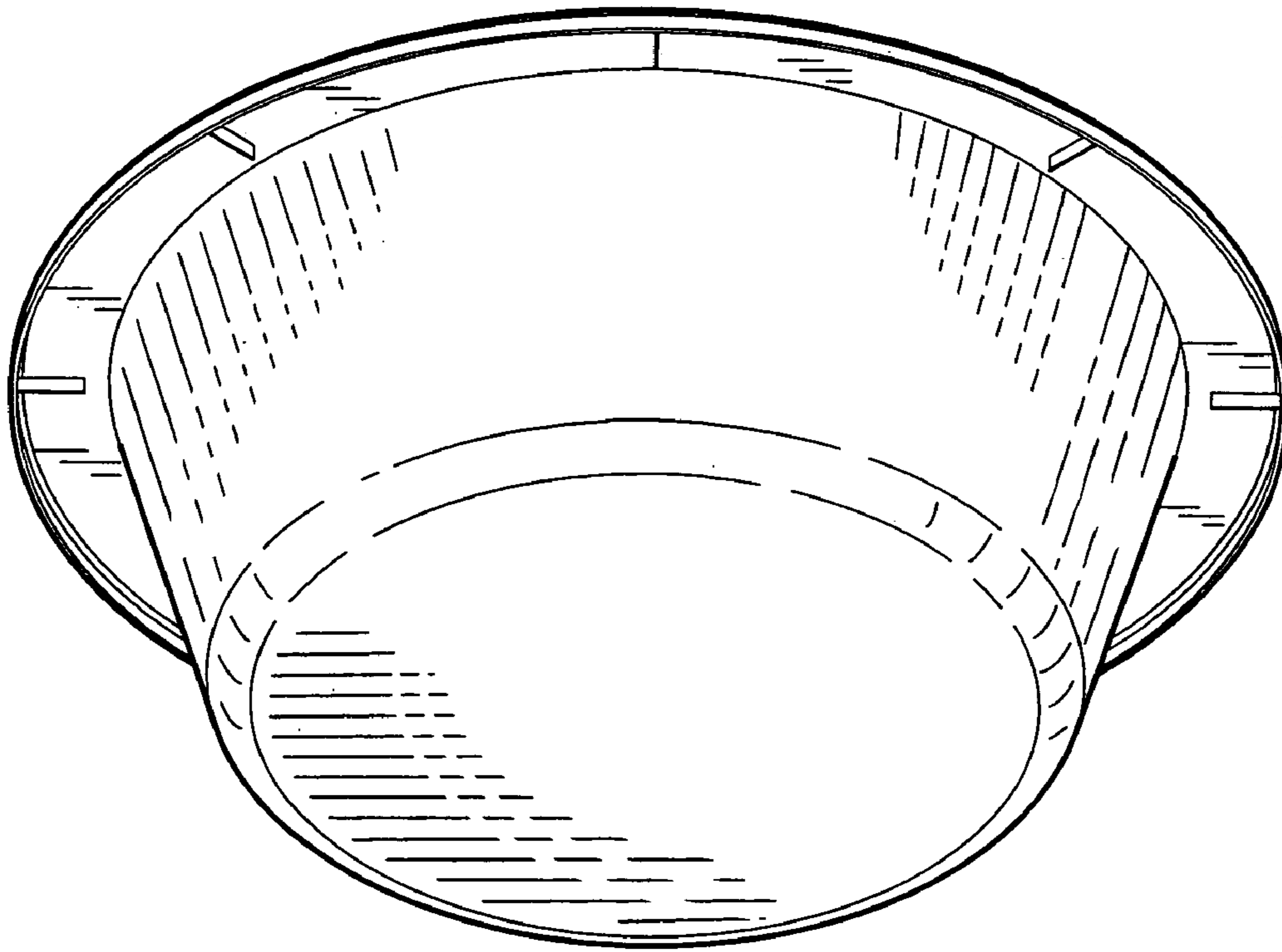


Fig. 1

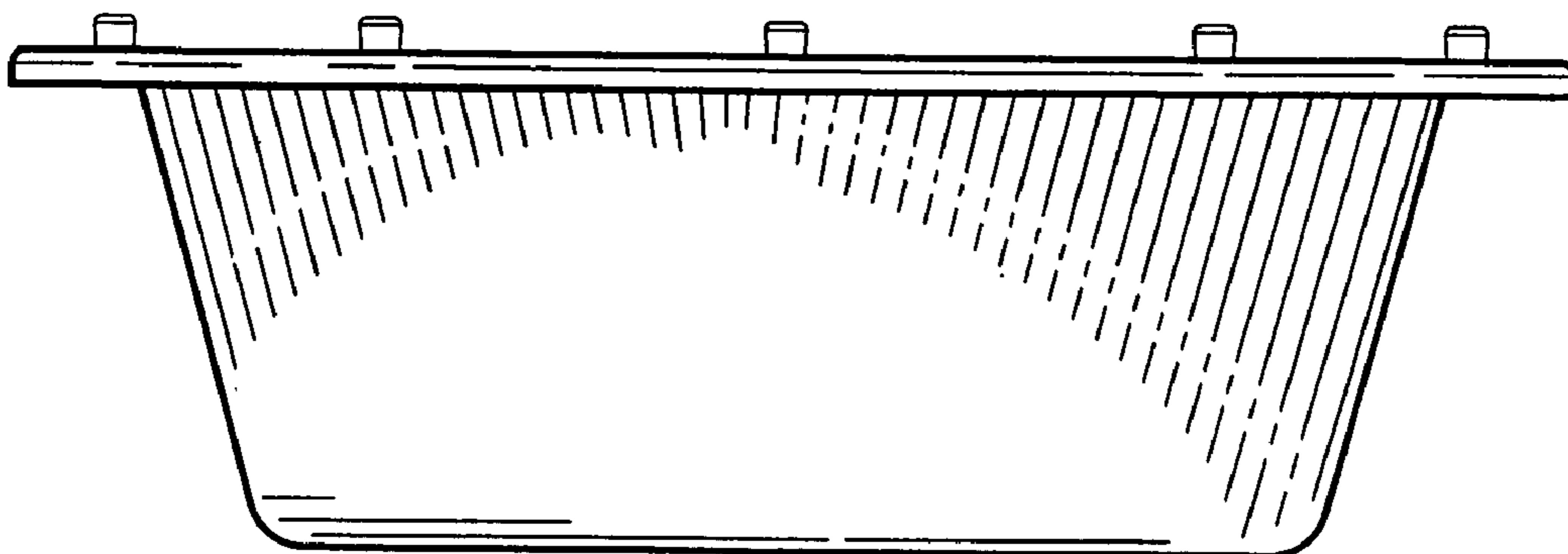


Fig. 2

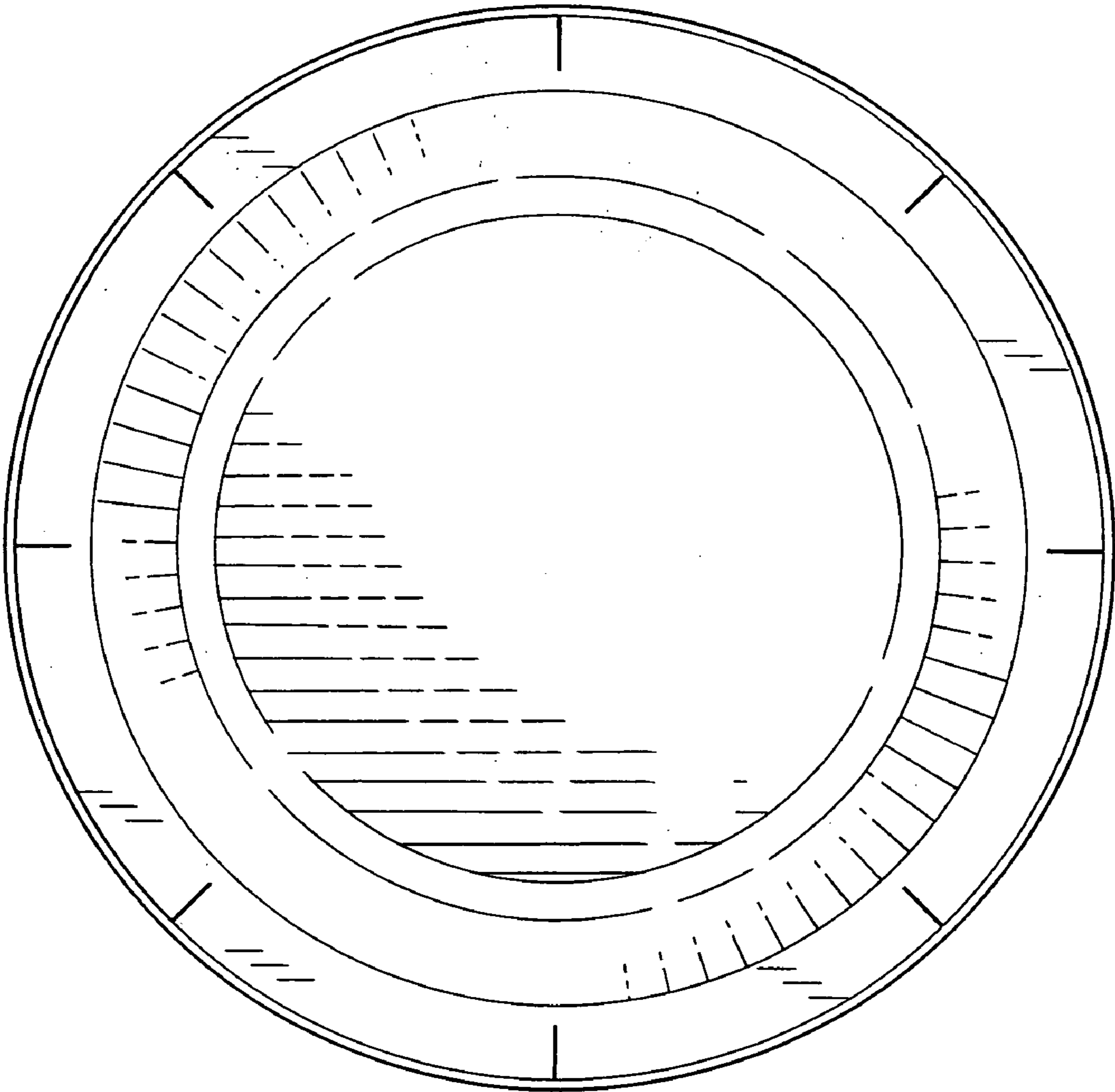


Fig. 3

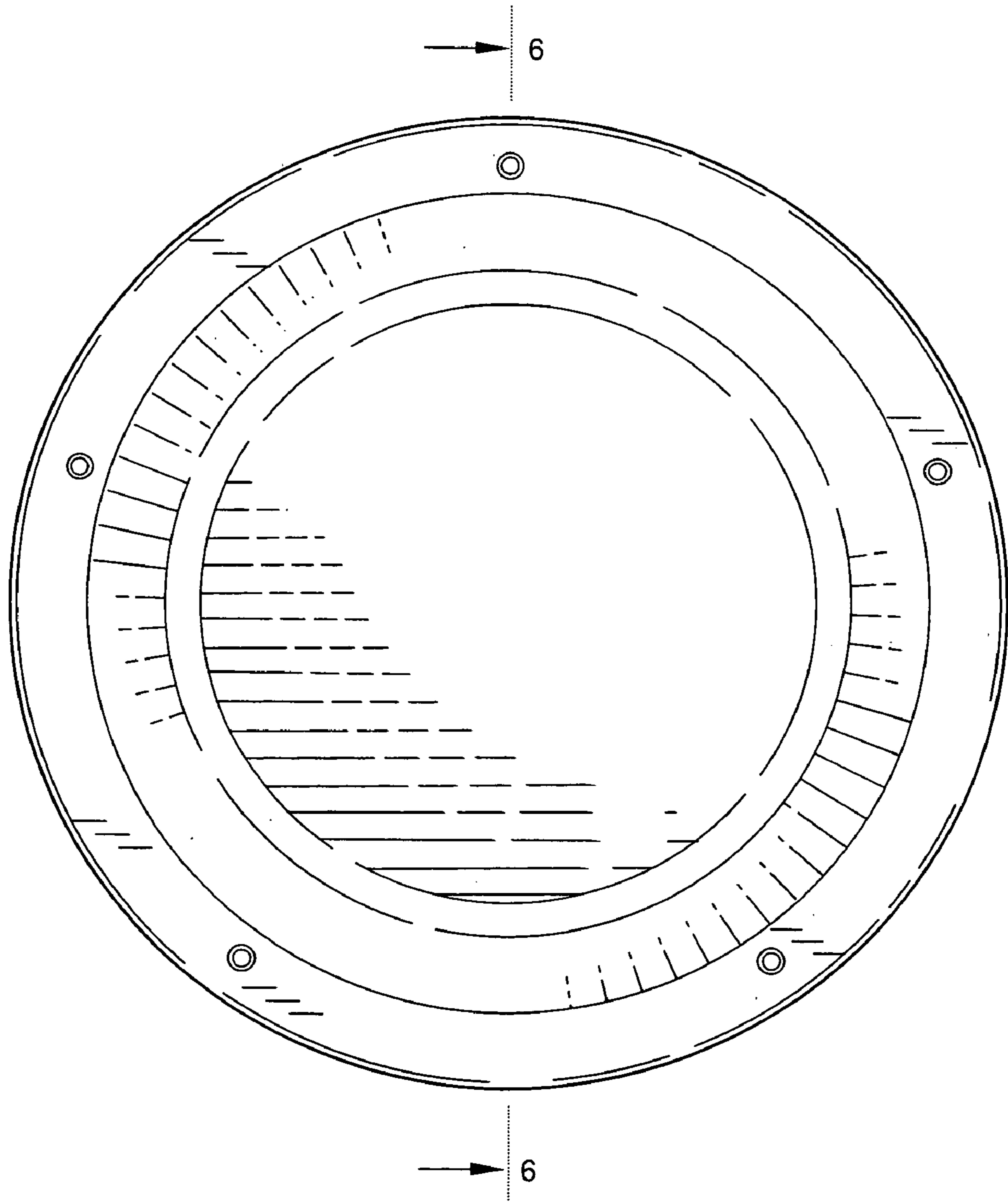


Fig. 4

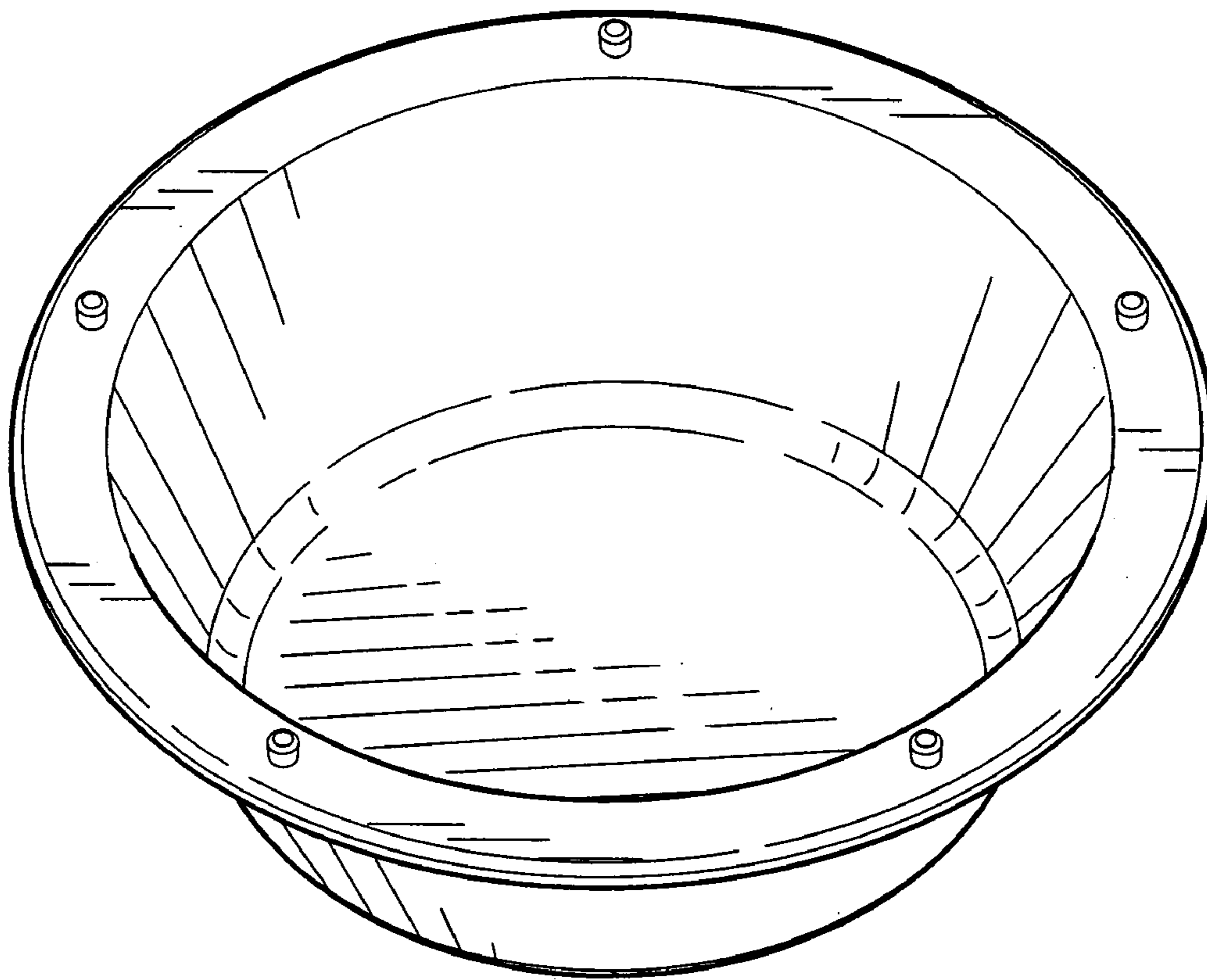


Fig. 5

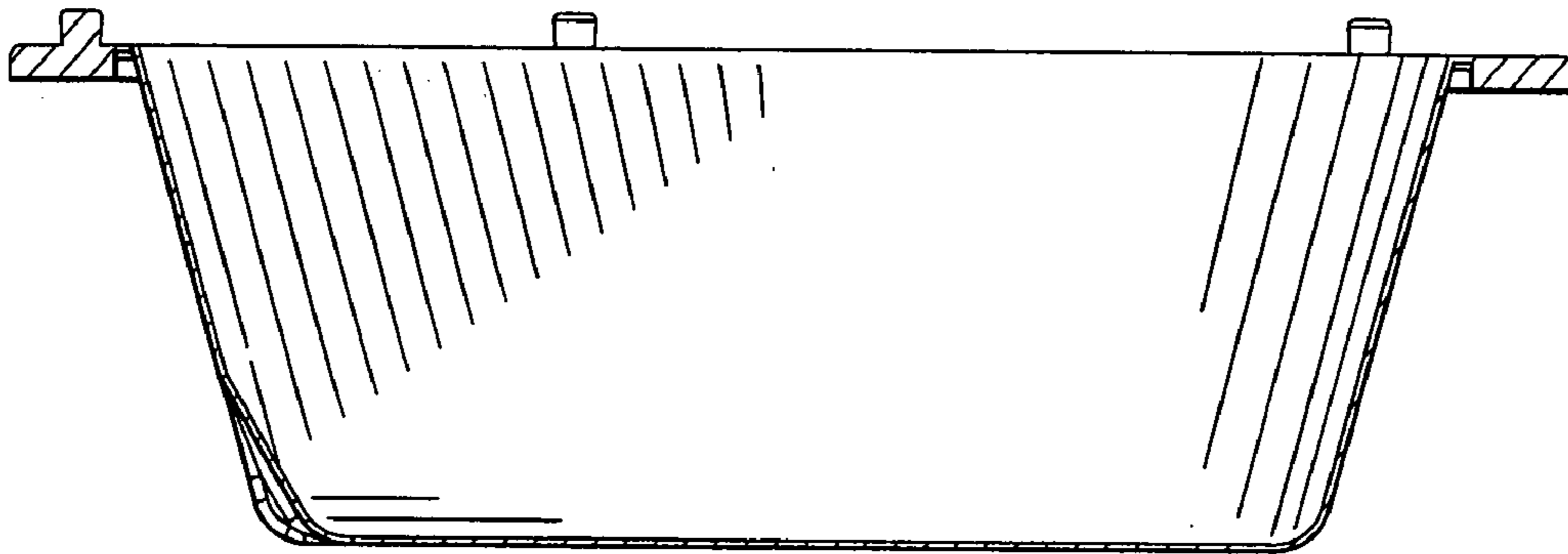


Fig. 6

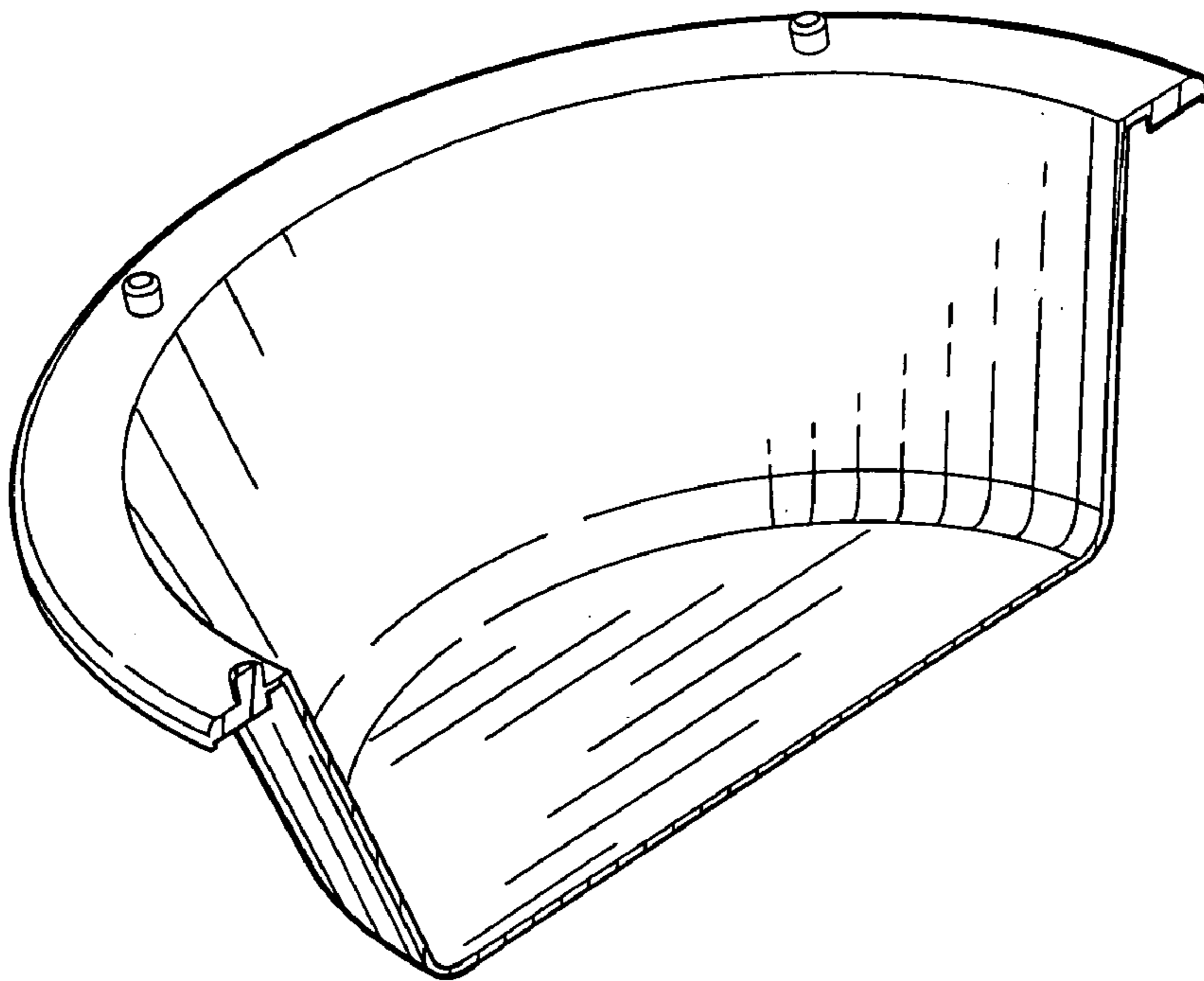


Fig. 7