



US00D546943S

(12) **United States Design Patent**
Kammer et al.

(10) **Patent No.:** **US D546,943 S**

(45) **Date of Patent:** **** Jul. 17, 2007**

(54) **HOSPITAL BASIN**

(75) Inventors: **Patrick Kammer**, Greensboro, NC
(US); **Todd Cassidy**, Mocksville, NC
(US); **Mark Martel**, Belews Creek, NC
(US)

(73) Assignee: **C Change Surgical LLC**,
Winston-Salem, NC (US)

(**) Term: **14 Years**

(21) Appl. No.: **29/226,137**

(22) Filed: **Mar. 24, 2005**

(51) **LOC (8) Cl.** **24-04**

(52) **U.S. Cl.** **D24/123**

(58) **Field of Classification Search** D24/123,
D24/122, 132, 216, 224, 121; D23/293.1,
D23/295; 604/6.15, 318, 317; D7/553.6,
D7/608, 534.2, 401; 4/223, 258, 263, 905,
4/619; 220/573.1, 574, 912, DIG. 14, 606,
220/639, 890; 119/61.5, 51.01, 72, 75; 392/447;
219/437, 438, 430; 206/423, 502; 229/406;
99/339, 340

See application file for complete search history.

(56) **References Cited**

U.S. PATENT DOCUMENTS

189,590	A *	4/1877	Write	220/606
199,370	A *	1/1878	Kearns	220/606
255,165	A *	3/1882	Hale	220/636
269,054	A *	12/1882	Hemstager	220/574
298,287	A *	5/1884	Cochran et al.	220/890
1,797,963	A *	3/1931	Neller	119/75
1,811,896	A *	6/1931	Ross	4/619
3,374,936	A *	3/1968	Colato	229/406
3,698,594	A *	10/1972	Boehlert	220/495.01
D298,452	S *	11/1988	Carter	D23/293.1
5,129,033	A *	7/1992	Ferrara et al.	392/447

6,255,627	B1 *	7/2001	Faries et al.	219/430
6,401,602	B1 *	6/2002	Lin	99/339
6,457,601	B1 *	10/2002	Chappell	220/573.4
6,711,989	B1 *	3/2004	Sarnoff	99/340
2001/0045188	A1 *	11/2001	Tsengas	119/51.01
2005/0267425	A1 *	12/2005	Castora et al.	604/317

OTHER PUBLICATIONS

<http://medegen.com/mmp/Products.asp?Catalog=OR&Section=ORBAOR>, as represented by Google as being retrieved by Google on Dec. 19, 2004. Also included is an enlarged copy of the photo for the Examiner's convenience. The Google link to this stored page is: http://www.google.com/search?q=cache:E_6EPHX3NuWJ:medegen.com/mmp/Products.asp%3FCatalog%3DOR%26Section%3DORBAOR+ring+basin+medical+2004+medegen&hl=en.

* cited by examiner

Primary Examiner—Louis Zarfes

Assistant Examiner—David Muller

(74) *Attorney, Agent, or Firm*—The Eclipse Group LLP;
Kevin E. Flynn

(57) **CLAIM**

The ornamental design for a hospital basin, as shown and described.

DESCRIPTION

FIG. 1 is a bottom and side perspective view.

FIG. 2 is a side plan view.

FIG. 3 is a bottom plan view.

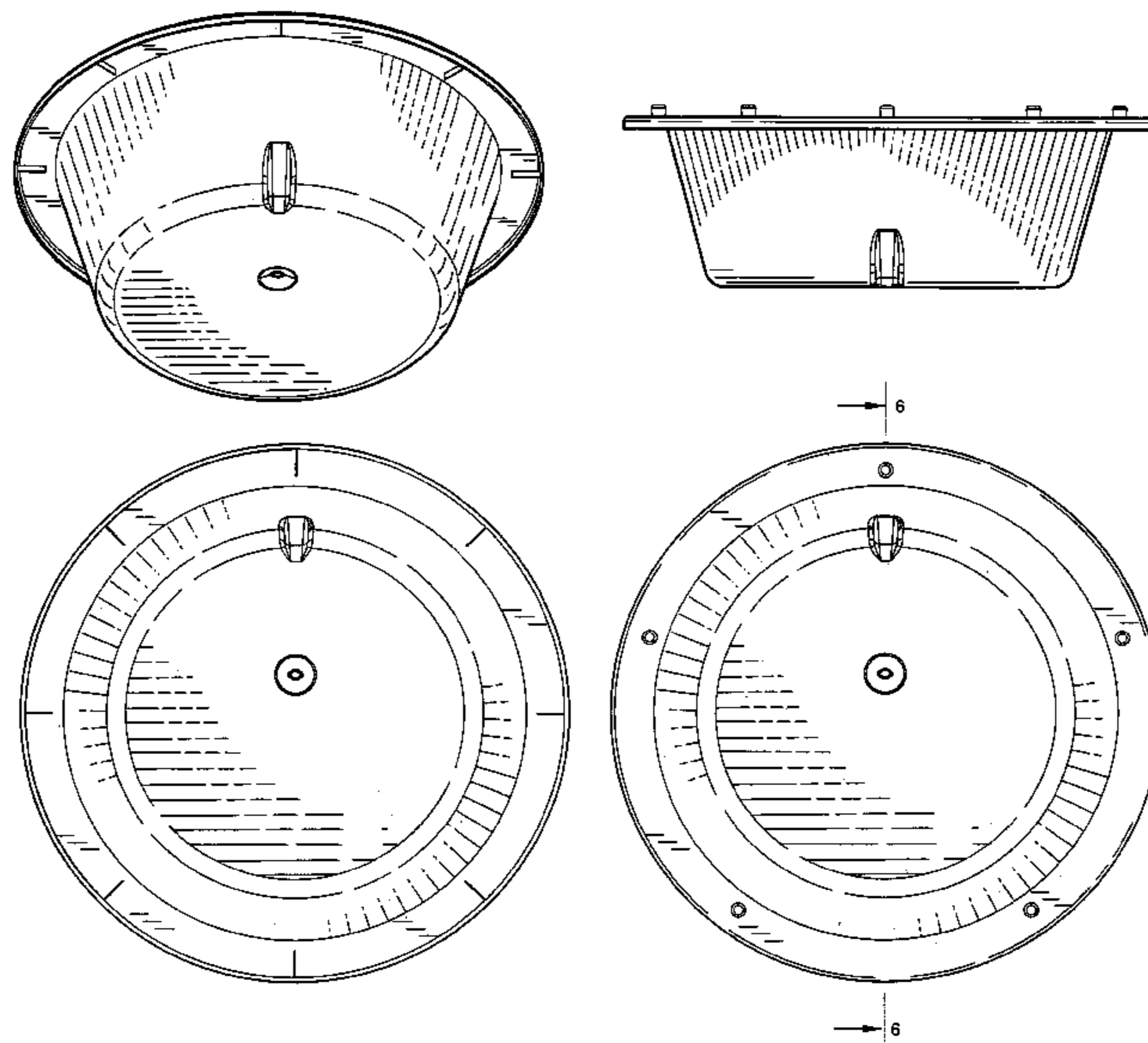
FIG. 4 is a top plan view.

FIG. 5 is a top and side perspective view.

FIG. 6 is a view of the cross section of the basin taken in FIG. 4; and,

FIG. 7 is a top perspective view of the cross section in FIG. 6.

1 Claim, 5 Drawing Sheets



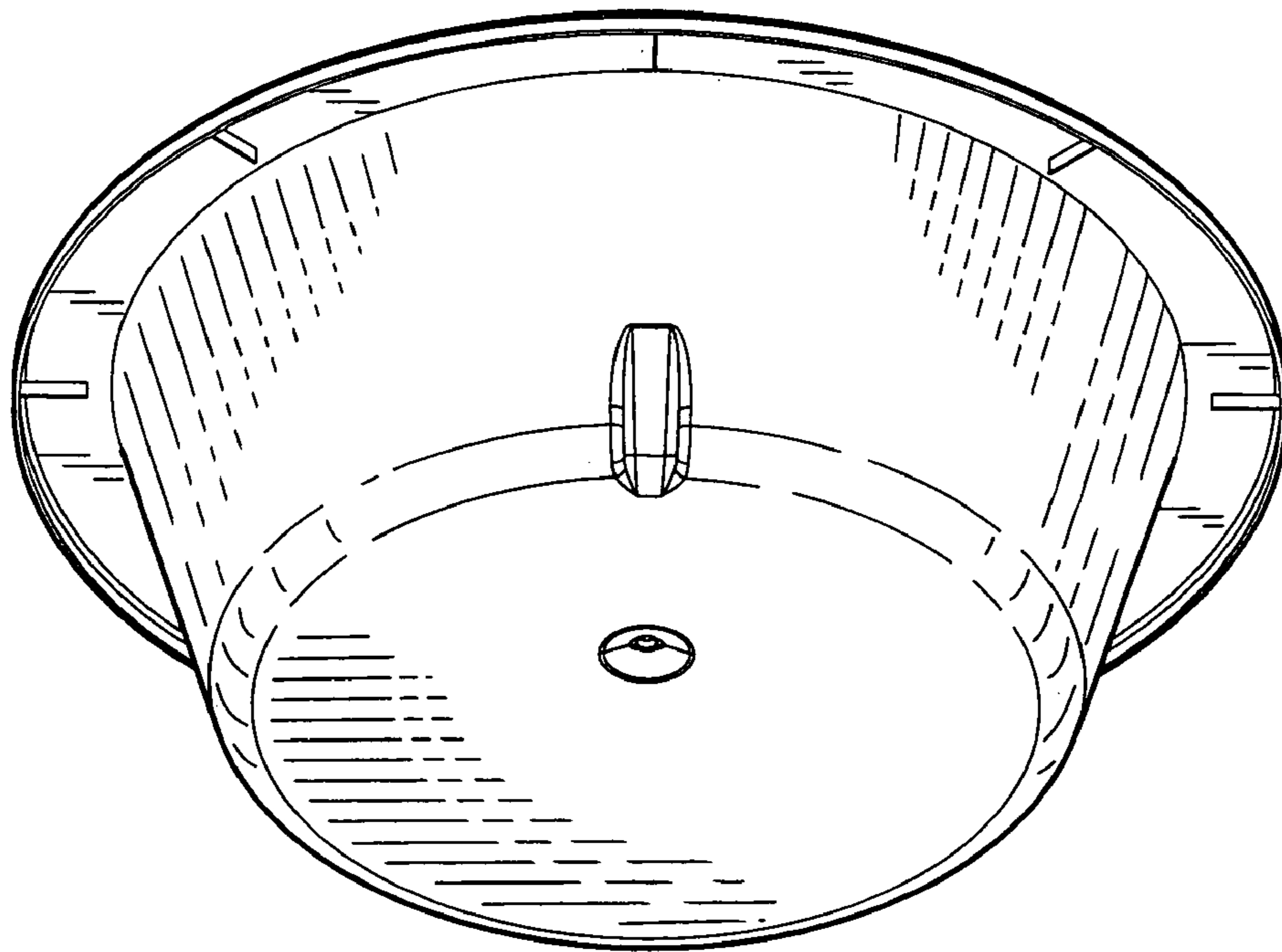


Fig. 1

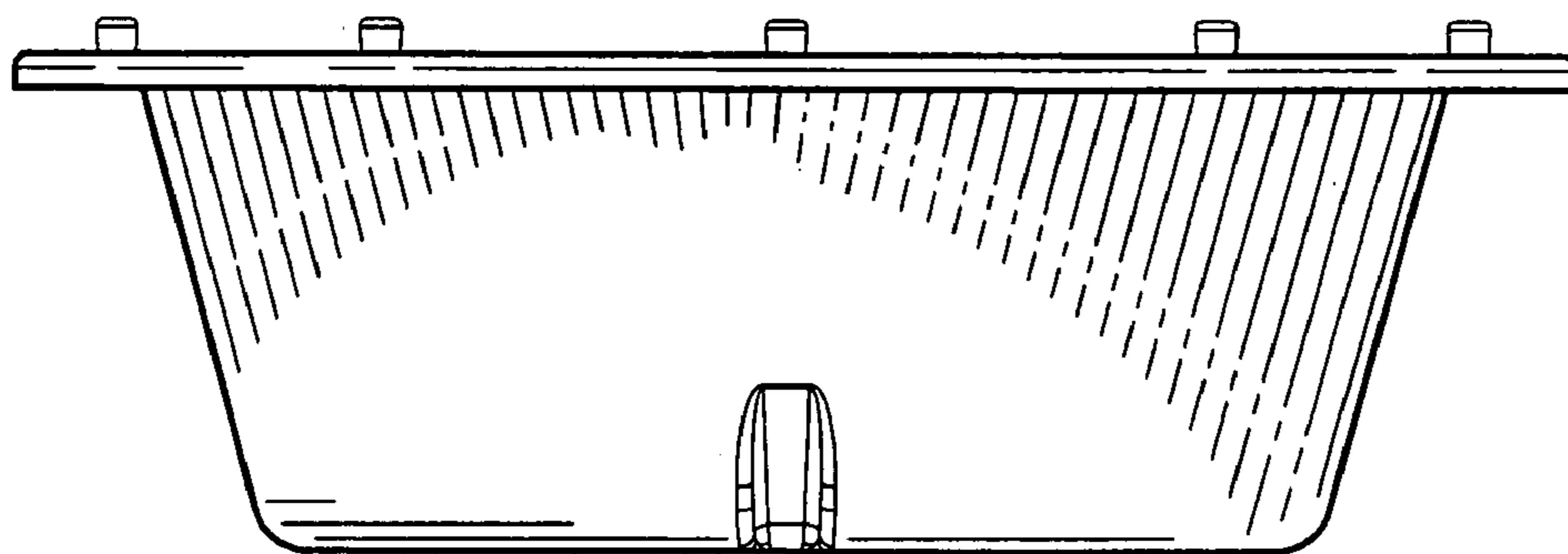


Fig. 2

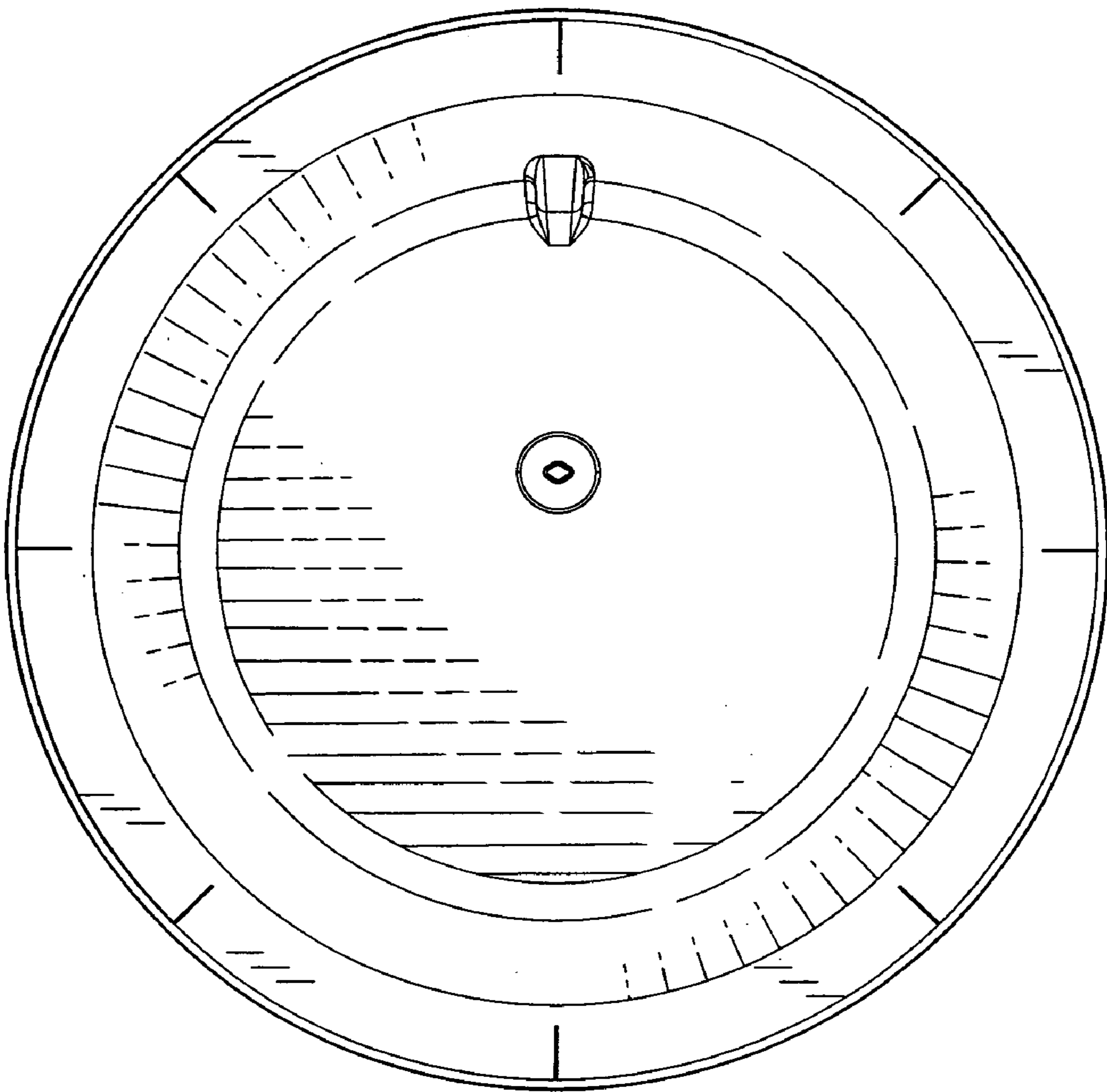


Fig. 3

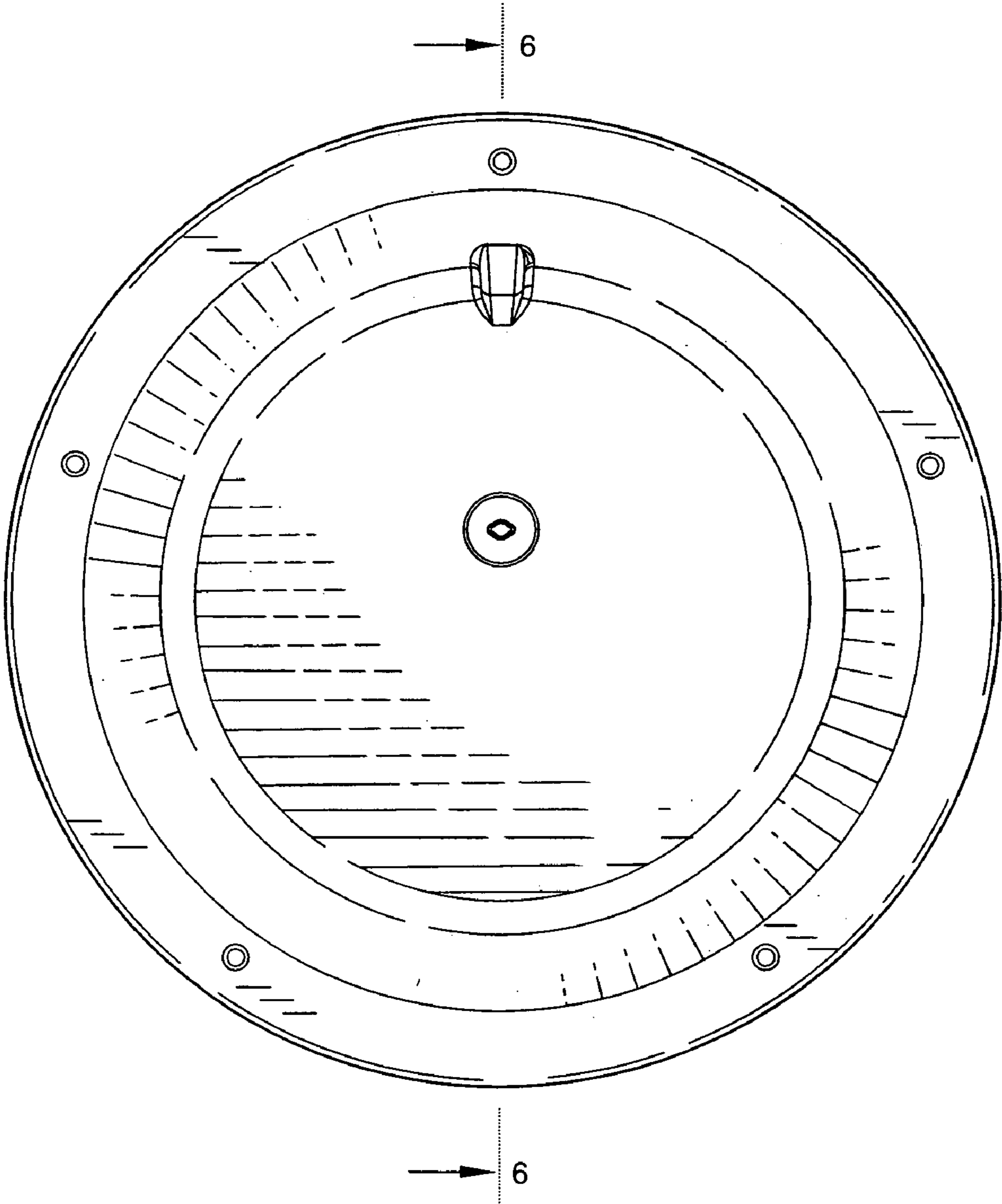


Fig. 4

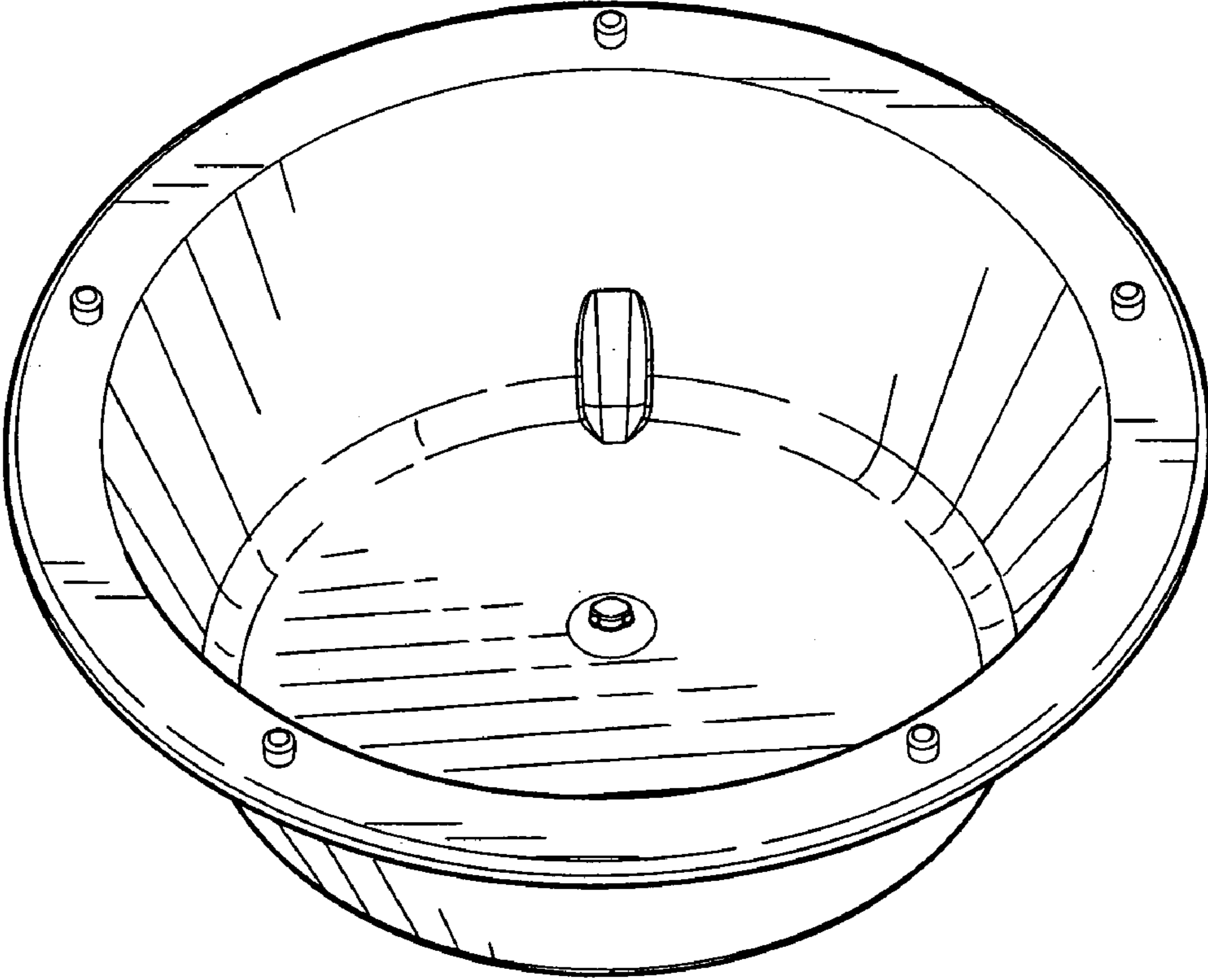


Fig. 5

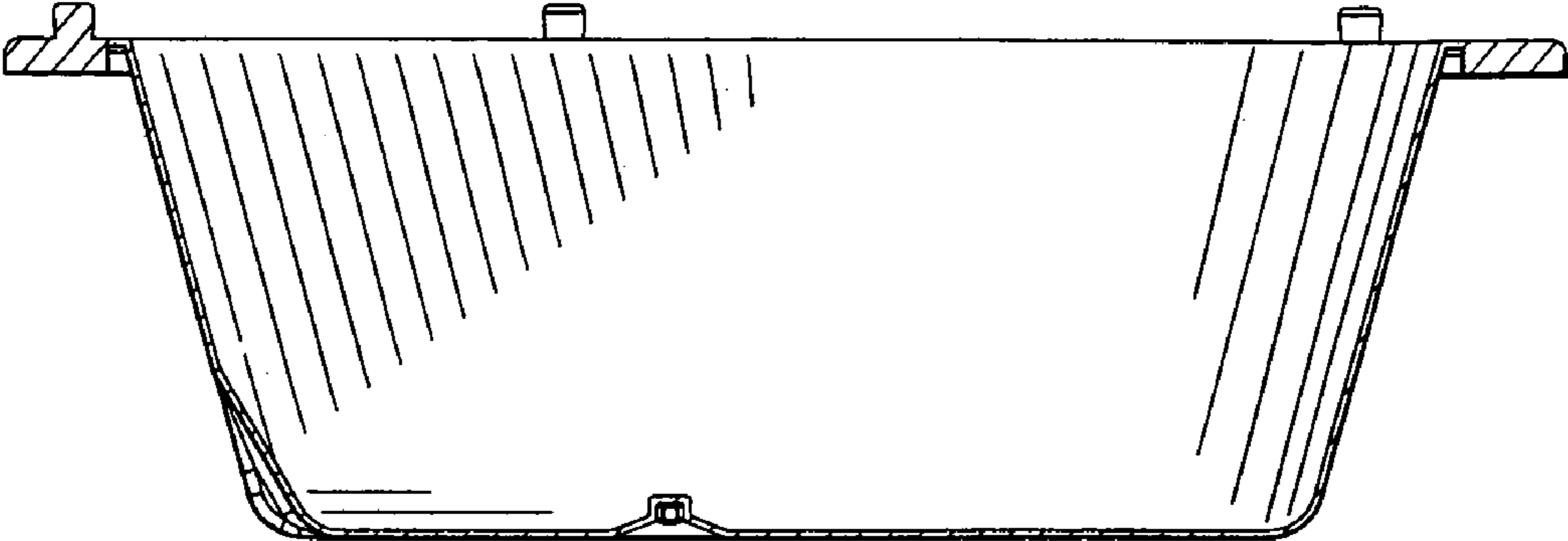


Fig. 6

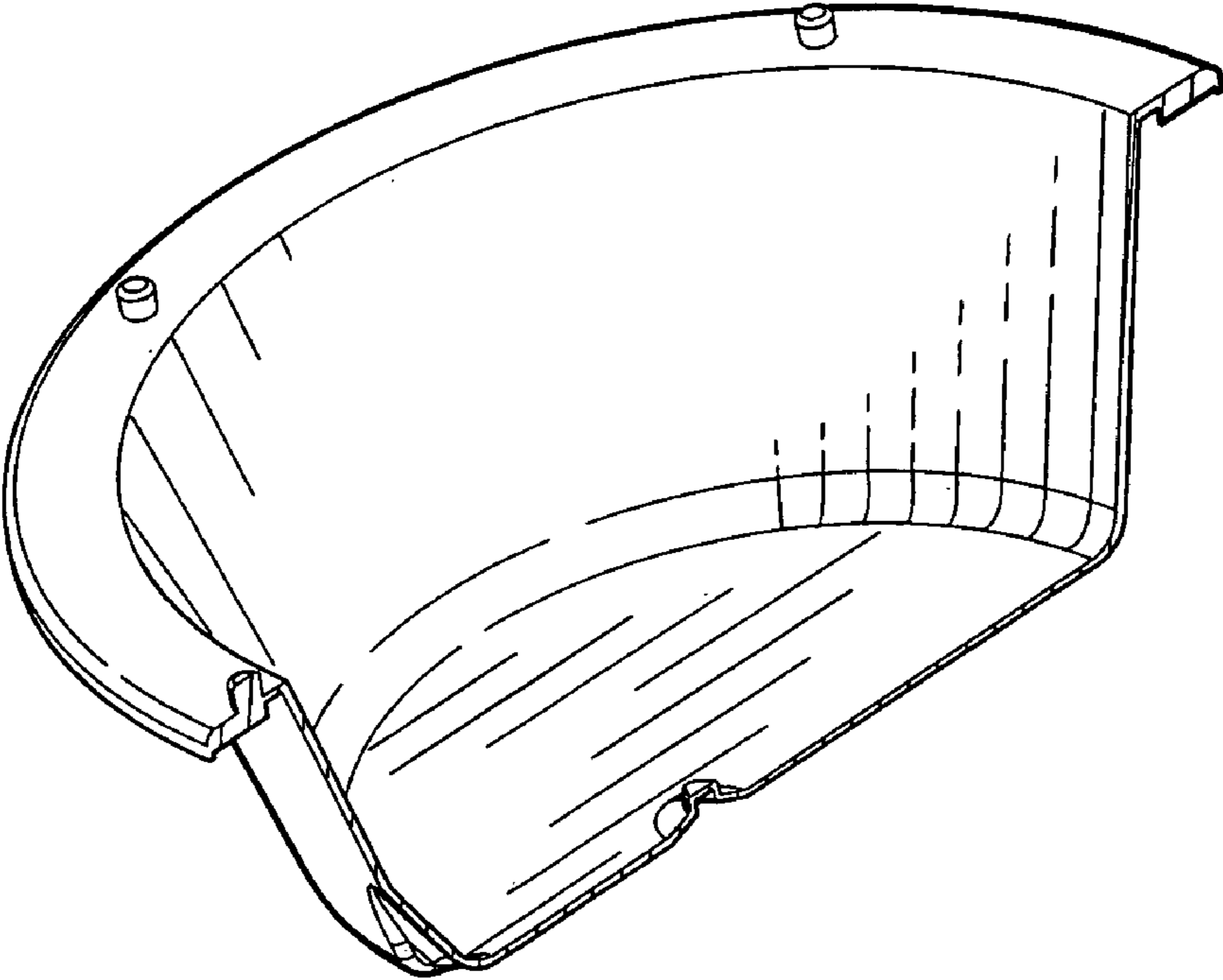


Fig. 7