

US00D546942S

(12) **United States Design Patent**  
**Taylor**

(10) **Patent No.:** **US D546,942 S**

(45) **Date of Patent:** **\*\* Jul. 17, 2007**

(54) **EXHALATION VALVE FILTER**

(75) Inventor: **Andrew M. Taylor**, Darlington (GB)

(73) Assignee: **3M Innovative Properties Company**,  
St. Paul, MN (US)

(\*\*) Term: **14 Years**

(21) Appl. No.: **29/202,572**

(22) Filed: **Apr. 1, 2004**

(51) **LOC (8) Cl.** ..... **29-02**

(52) **U.S. Cl.** ..... **D24/110.6**

(58) **Field of Classification Search** ..... D24/110.6,  
D24/110.1; 128/206.17, 206.15, 206.19,  
128/205.29, 207.12, 207.16

See application file for complete search history.

(56) **References Cited**

U.S. PATENT DOCUMENTS

4,827,924	A	*	5/1989	Japuntich	.....	128/206.12
D347,298	S	*	5/1994	Japuntich et al.	.....	D24/110.4
D389,239	S	*	1/1998	Scholey	.....	D24/110.6
D413,166	S	*	8/1999	Snow et al.	.....	D24/110.6
D431,647	S	*	10/2000	Henderson et al.	.....	D24/110.1
6,460,539	B1		10/2002	Japuntich et al.		
6,584,976	B2	*	7/2003	Japuntich et al.	.....	128/206.15
6,718,982	B2	*	4/2004	Smith et al.	.....	128/207.12
6,854,463	B2	*	2/2005	Japuntich et al.	.....	128/206.15

7,007,695	B2	*	3/2006	Curran et al.	.....	128/206.15
2003/0005934	A1		1/2003	Japuntich et al.		
2004/0040562	A1	*	3/2004	Brunell	.....	128/206.15

\* cited by examiner

*Primary Examiner*—Ian Simmons

*Assistant Examiner*—Christopher Lee

(74) *Attorney, Agent, or Firm*—Karl G Hanson

(57) **CLAIM**

The ornamental design for an exhalation valve filter, as shown and described.

**DESCRIPTION**

FIG. 1 is a perspective view, showing the new design for an exhalation valve filter.

FIG. 2 is a front view thereof;

FIG. 3 is a top view thereof;

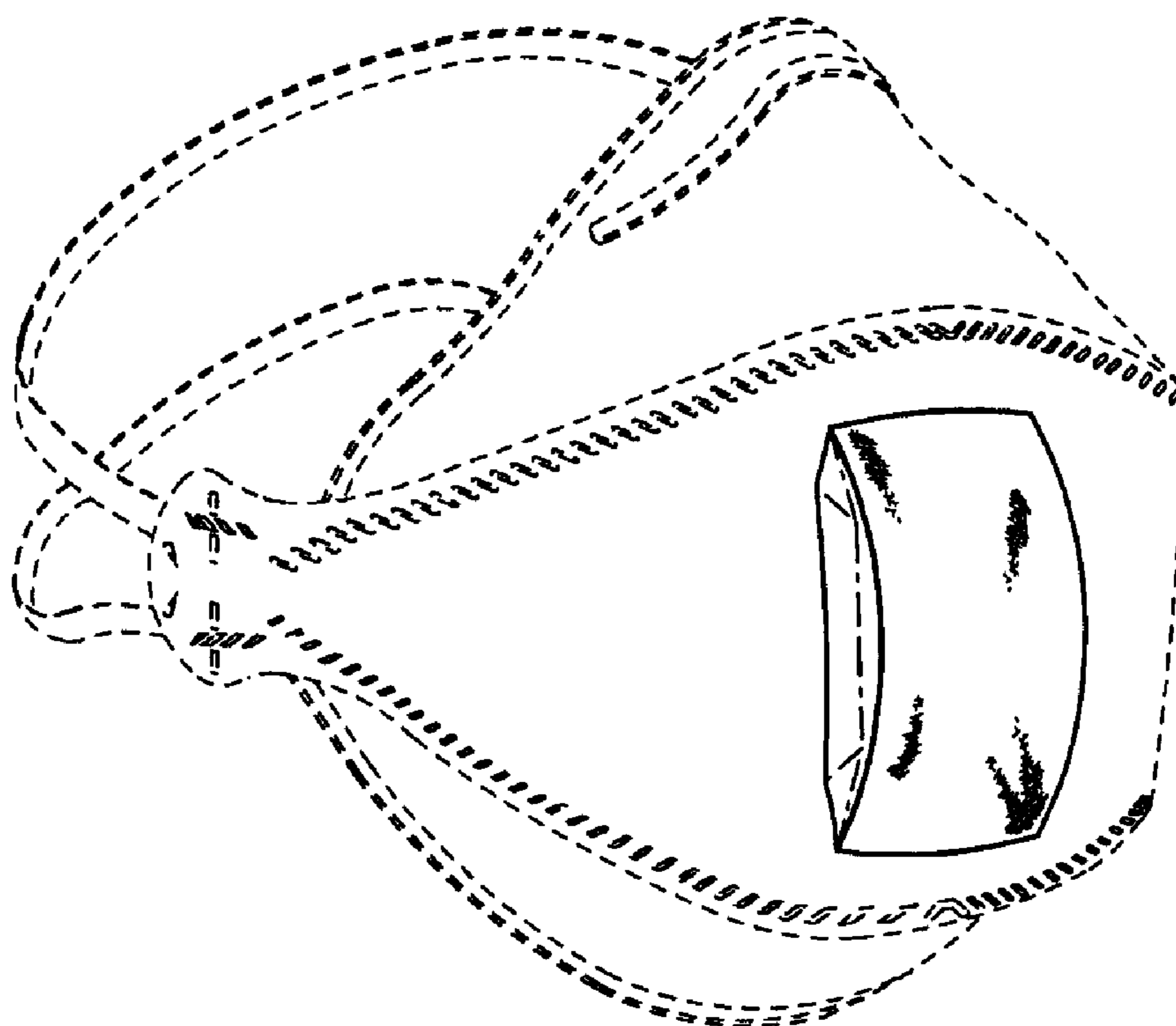
FIG. 4 is a bottom view thereof;

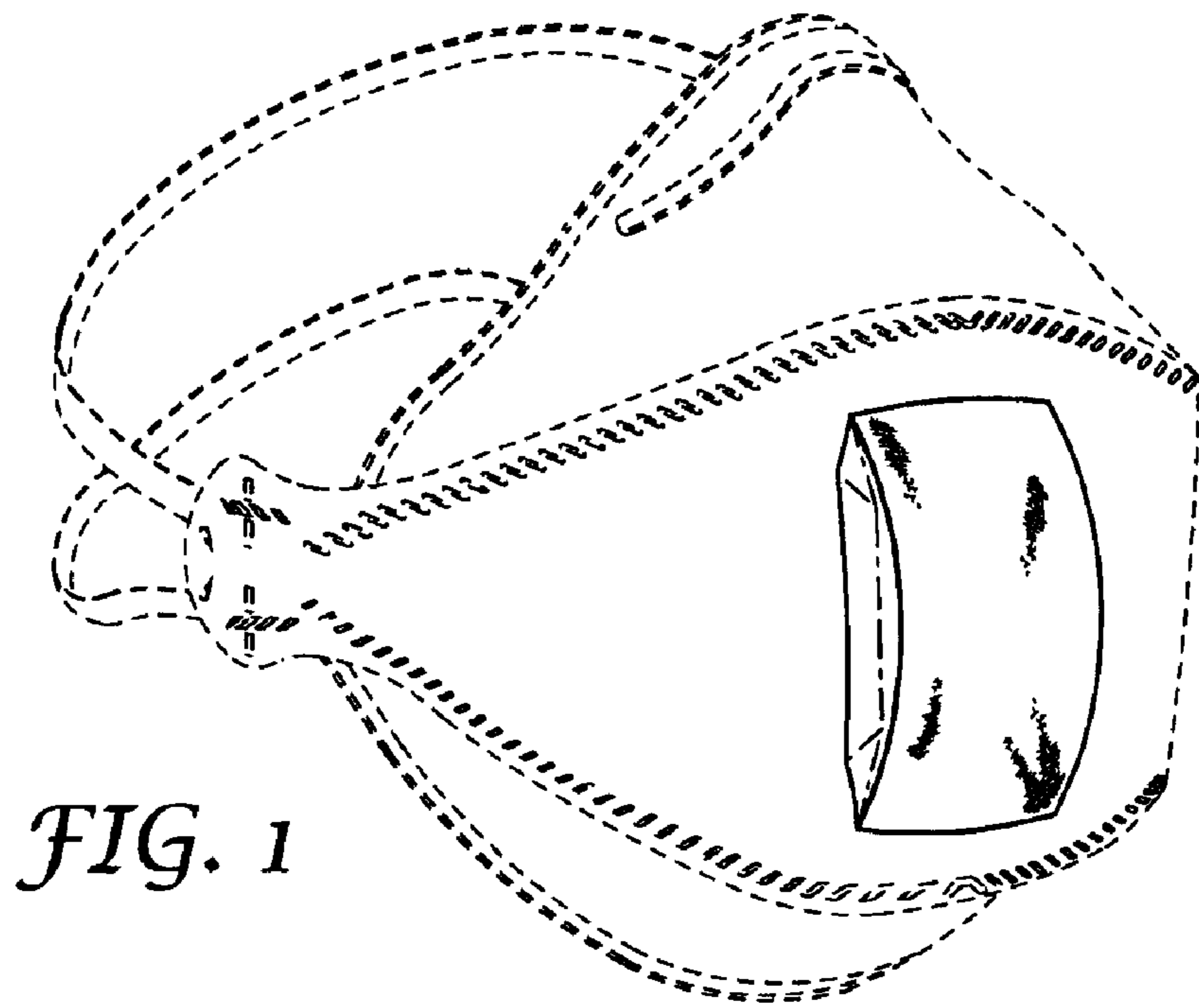
FIG. 5 is a right side view thereof, the left side view being a mirror image thereof; and,

FIG. 6 is a rear view thereof.

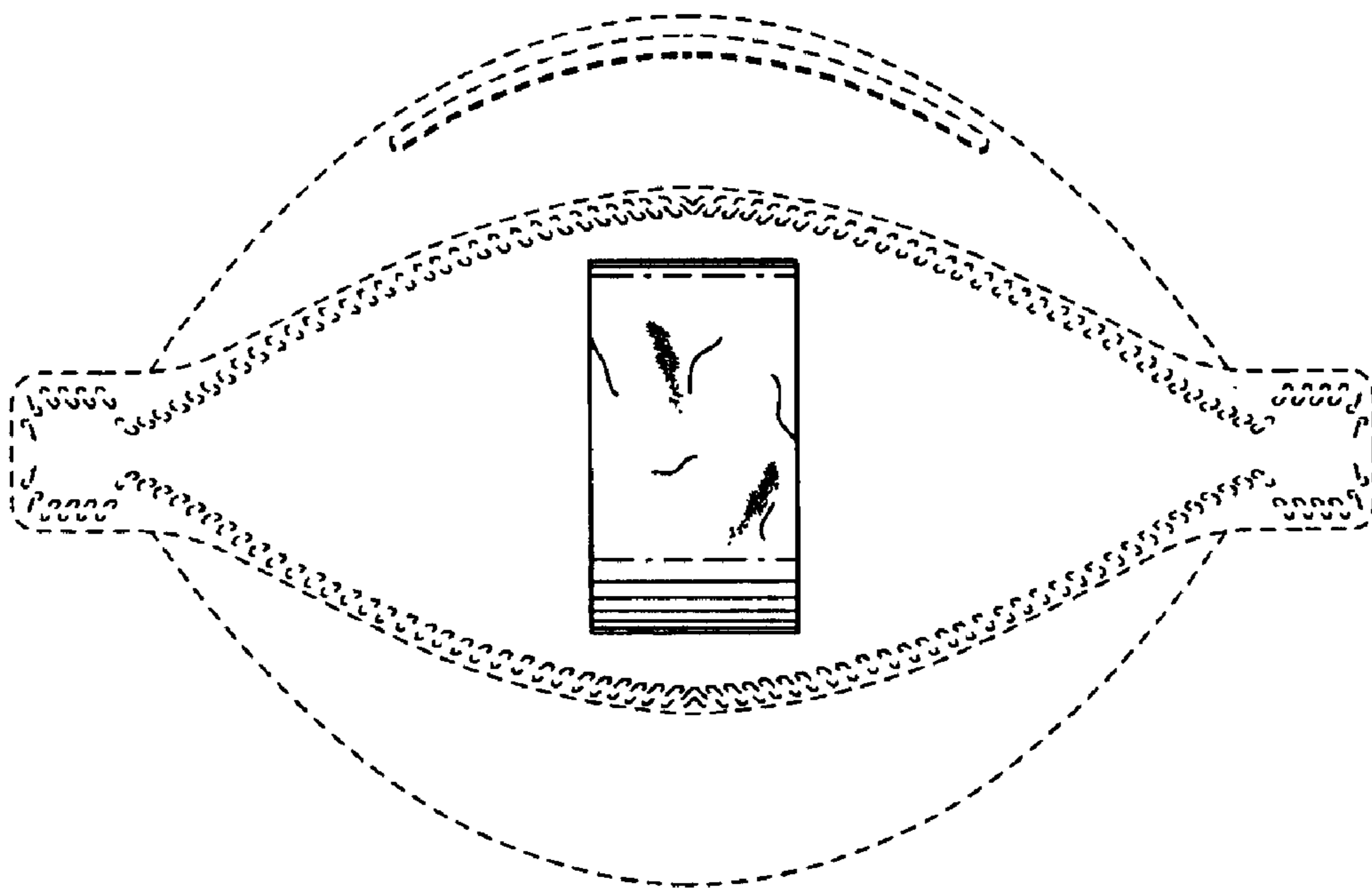
The broken line showing in FIGS. 1-6 forms no part of the claimed design. The shading that is shown in the Figures, including the criss-cross pattern, is provided only to illustrate contour and is not indicative of any particular texture, etc.

**1 Claim, 3 Drawing Sheets**

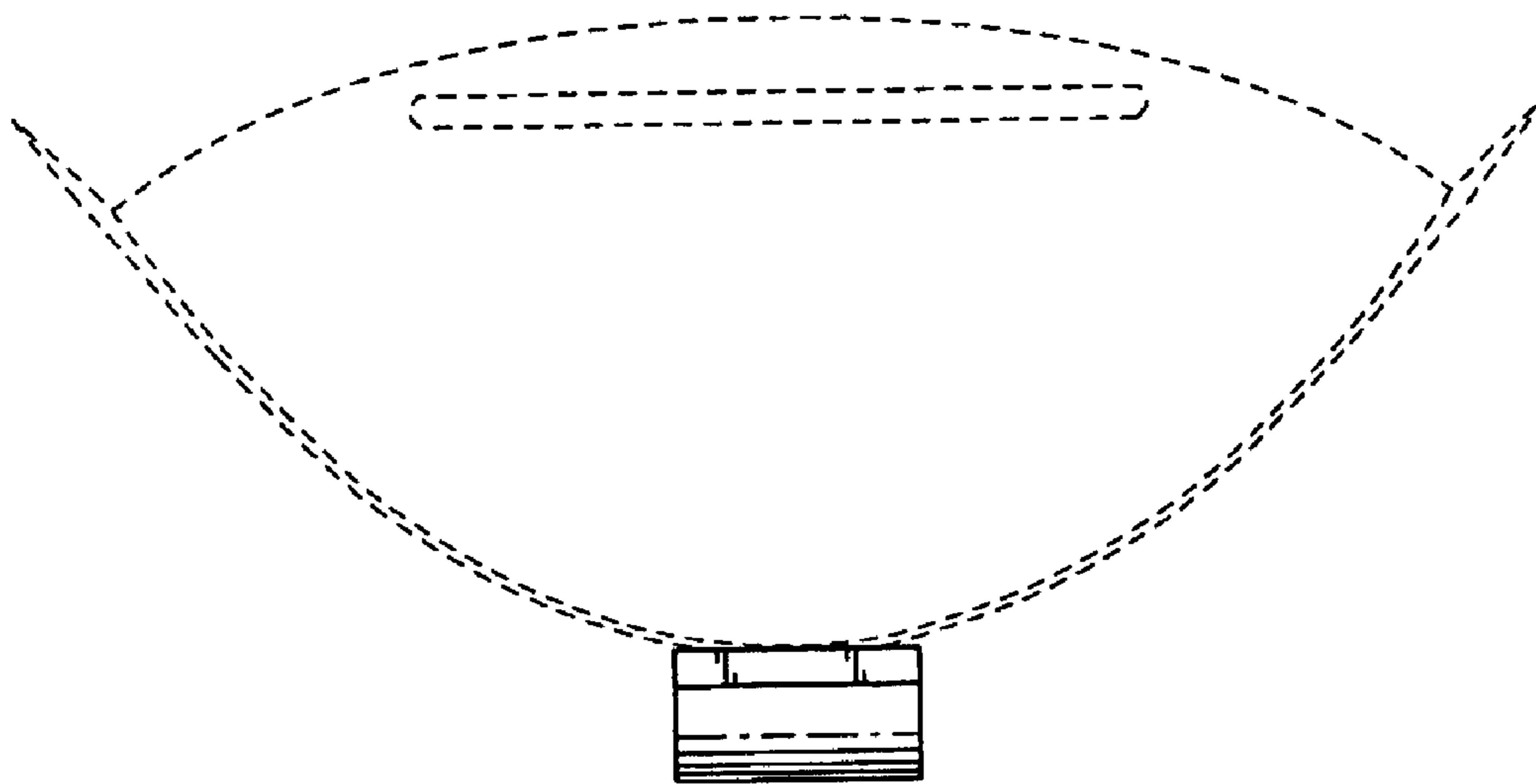




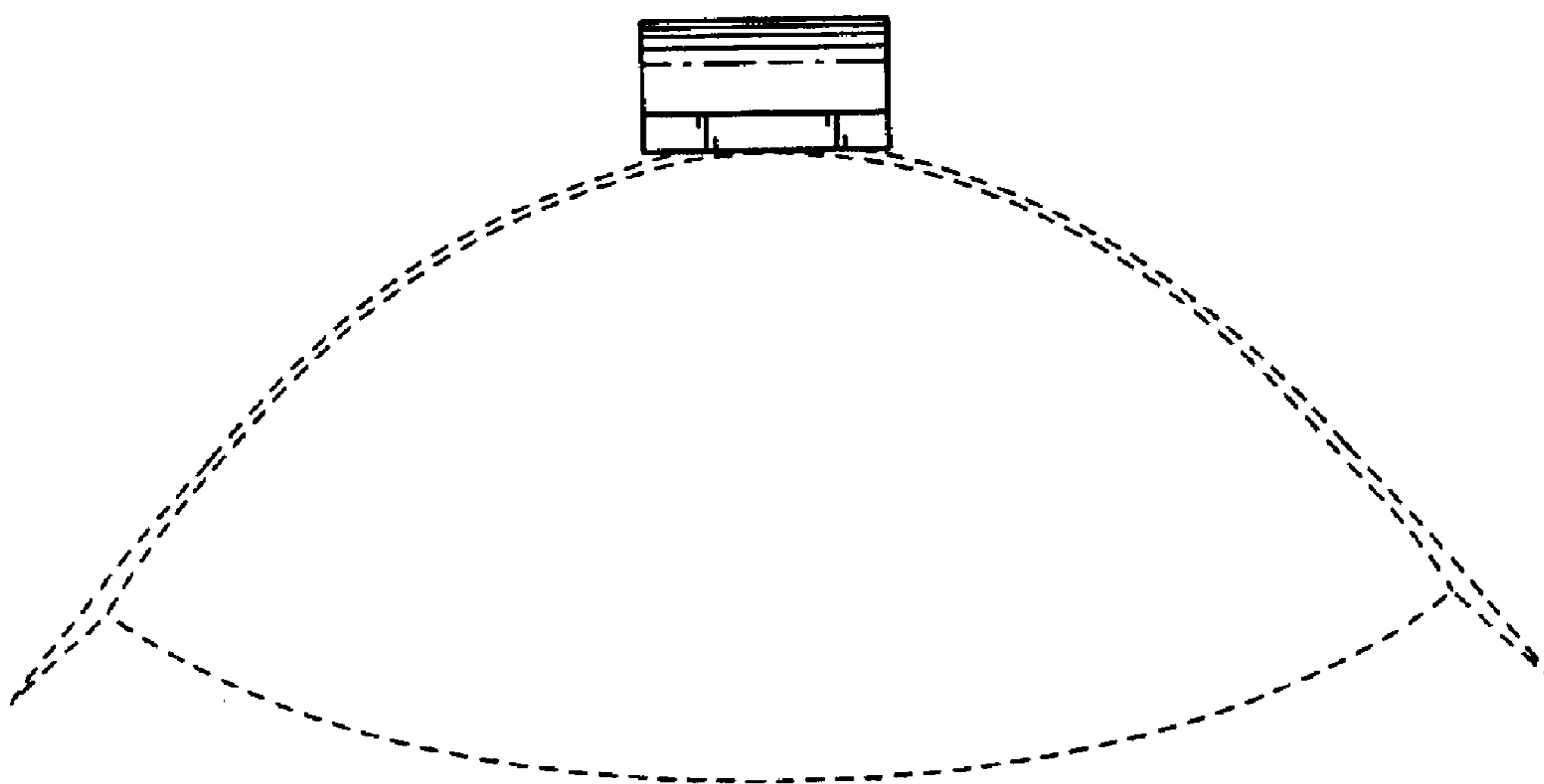
*FIG. 1*



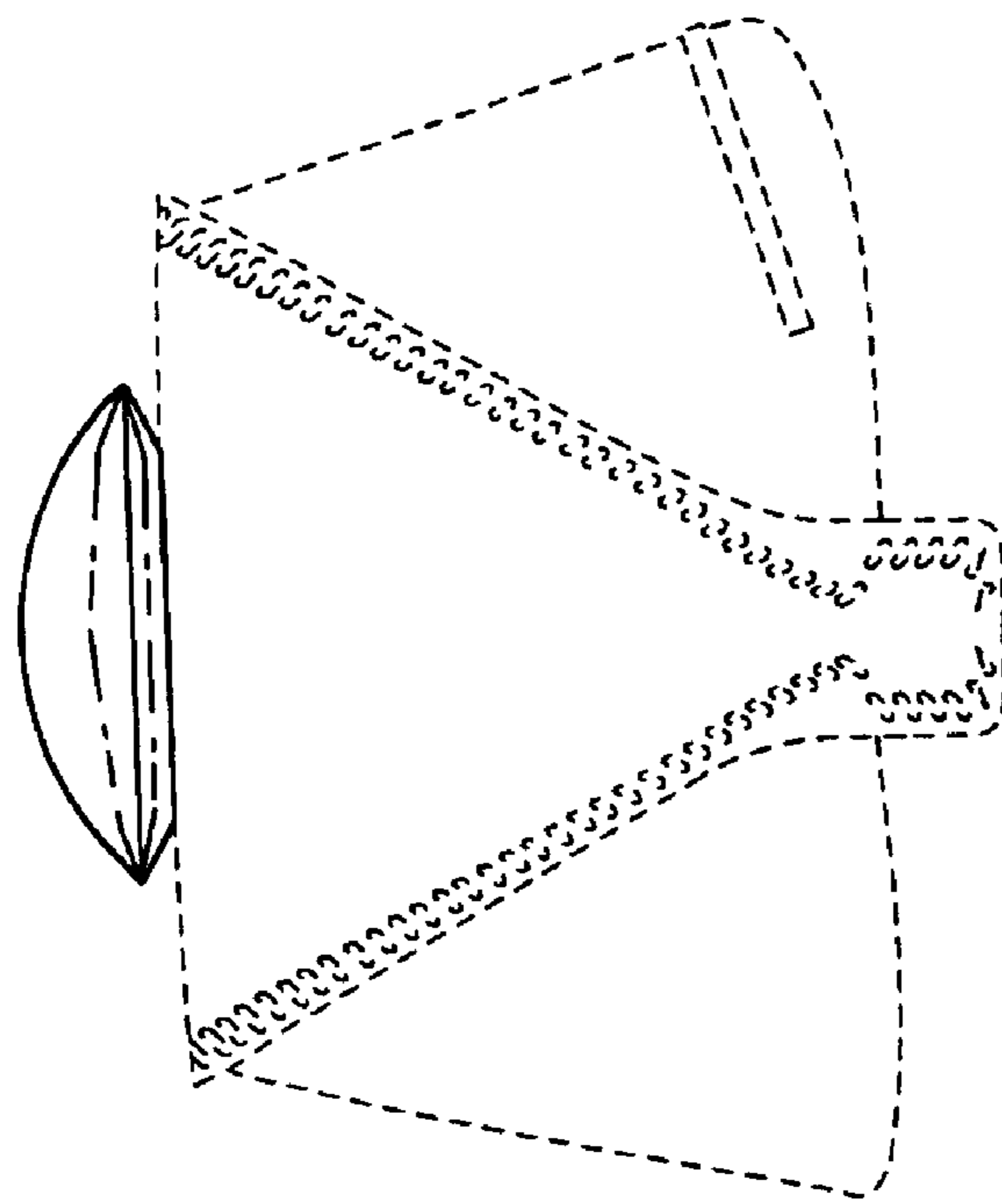
*FIG. 2*



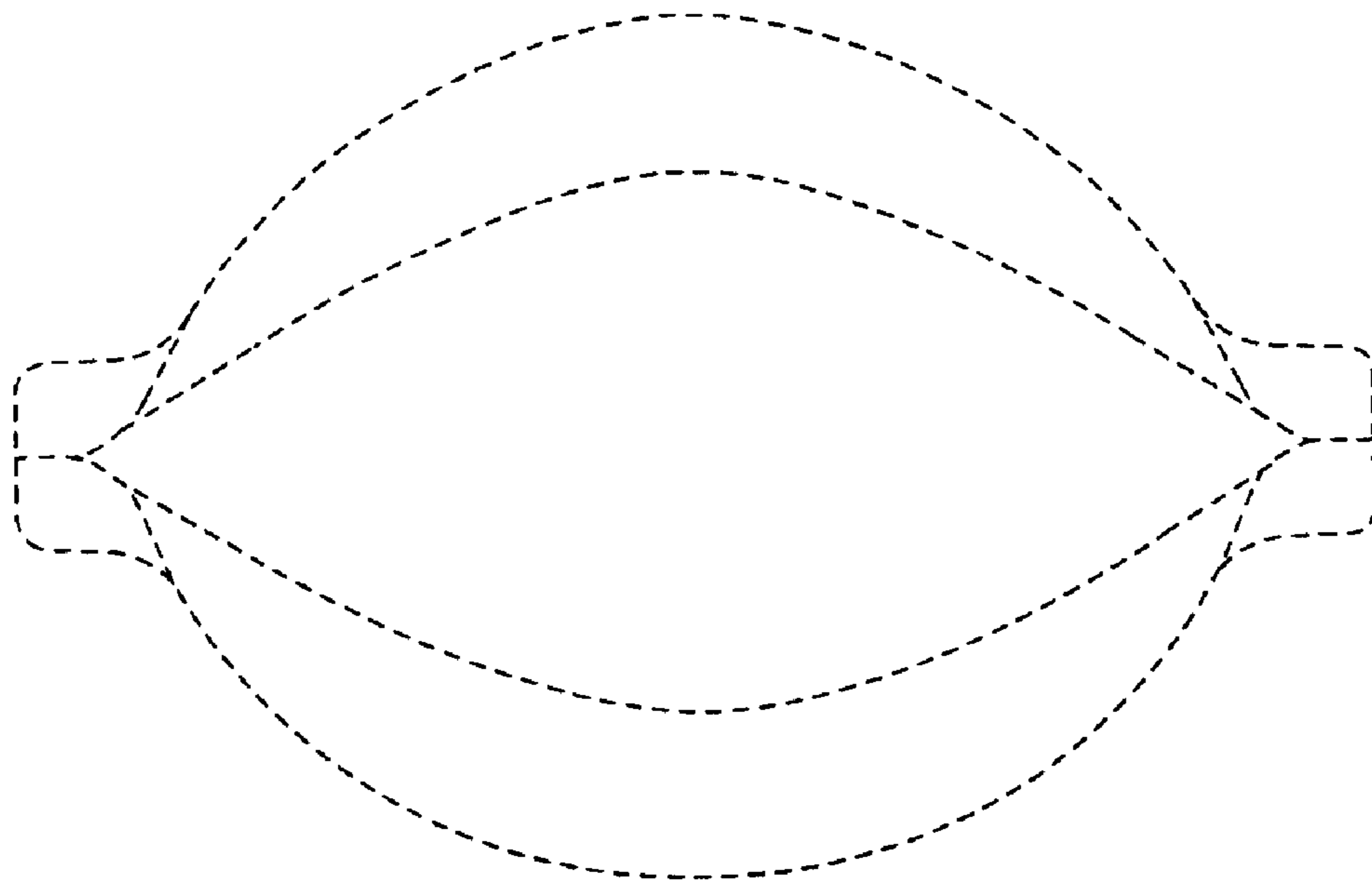
*FIG. 3*



*FIG. 4*



*FIG. 5*



*FIG. 6*