

US00D546937S

(12) **United States Design Patent**
Lewicki et al.

(10) **Patent No.:** **US D546,937 S**
(45) **Date of Patent:** **** Jul. 17, 2007**

(54) **ELEMENT HOLDER**

D271,304 S * 11/1983 Kensrue D15/144
D497,008 S * 10/2004 Germany et al. D25/113

(75) Inventors: **Gregory D. Lewicki**, Newtown Square,
PA (US); **Stephen J. Lewicki**,
Swarthmore, PA (US)

OTHER PUBLICATIONS

Brochure "Bulletin No. G-2-04" Copyright 2004.
Brochure "Bulletin No. e-4-05" Copyright 2005.

(73) Assignee: **L&L Kiln Manufacturing Inc.**,
Boothwyn, PA (US)

* cited by examiner

(**) Term: **14 Years**

Primary Examiner—T. Chase Nelson
Assistant Examiner—Karen Acker

(21) Appl. No.: **29/242,337**

(74) *Attorney, Agent, or Firm*—Woodcock Washburn LLP

(22) Filed: **Nov. 9, 2005**

(57) **CLAIM**

(51) **LOC (8) Cl.** **23-04**

The ornamental design for an element holder, as shown and described.

(52) **U.S. Cl.** **D23/422**

(58) **Field of Classification Search** D15/144,
D15/144.1; D23/82, 422; D25/70, 73-77,
D25/80, 113; 211/41.18; 432/178, 241,
432/258, 259

DESCRIPTION

See application file for complete search history.

FIG. 1 is a front perspective view of an element holder showing our new design;

(56) **References Cited**

U.S. PATENT DOCUMENTS

D30,288 S * 2/1899 Vrooman D23/422
D33,427 S * 10/1900 Tidemann D23/422
D33,601 S * 11/1900 Brinkerhoff D23/422
D47,930 S * 10/1915 Meier D23/422
2,511,068 A * 6/1950 Kail 432/230
D267,776 S * 2/1983 Holgersson et al. D8/396
D269,385 S * 6/1983 Bungler D30/120
D270,288 S * 8/1983 Smith D25/119

FIG. 2 is a front perspective view thereof;

FIG. 3 is a back perspective view thereof;

FIG. 4 is a front elevational view thereof;

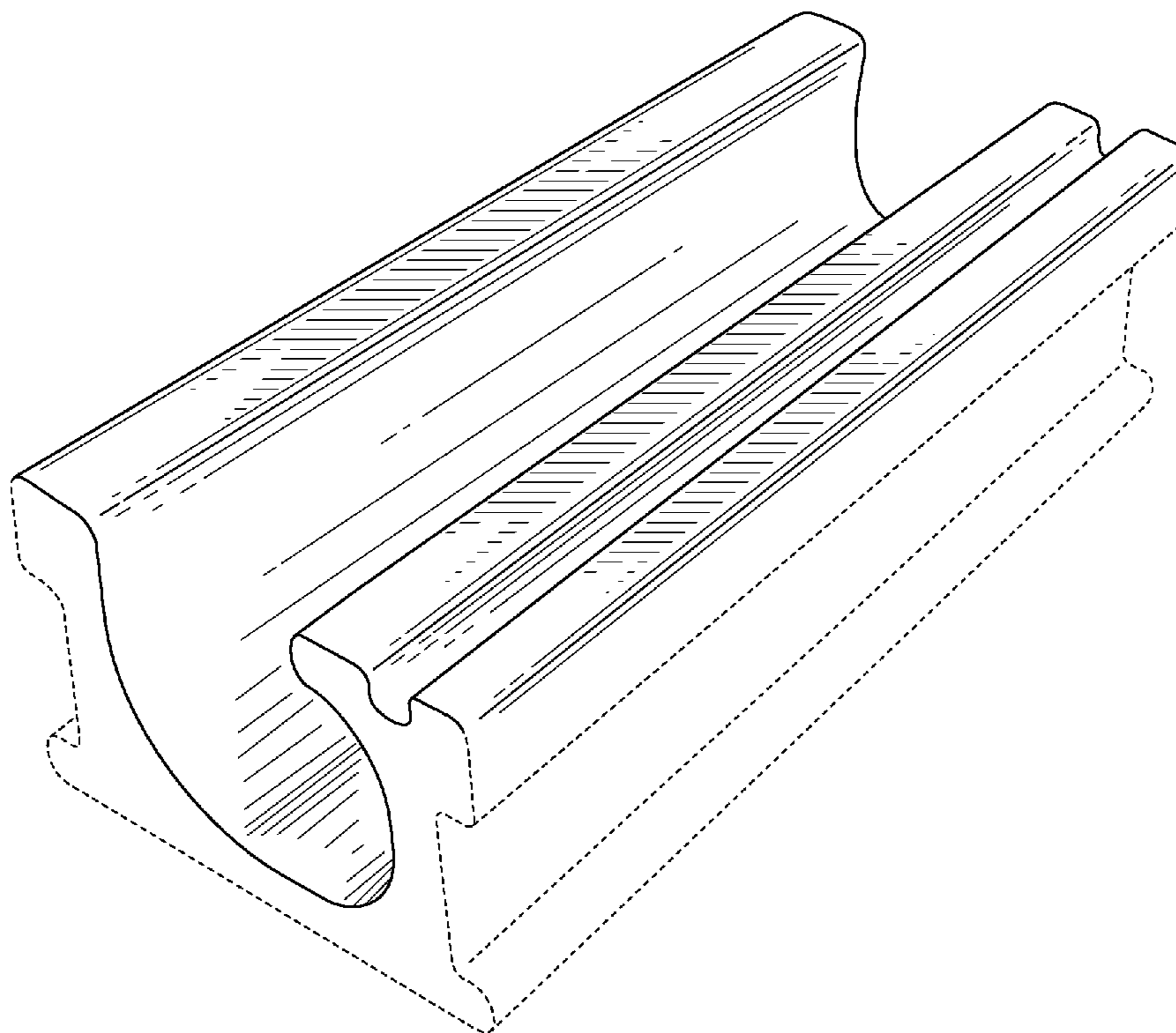
FIG. 5 is a side elevational view thereof;

FIG. 6 is a top plan view thereof; and,

FIG. 7 is a bottom plan view thereof.

The broken lines define the bounds of the claimed design in the present application, and form no part thereof.

1 Claim, 5 Drawing Sheets



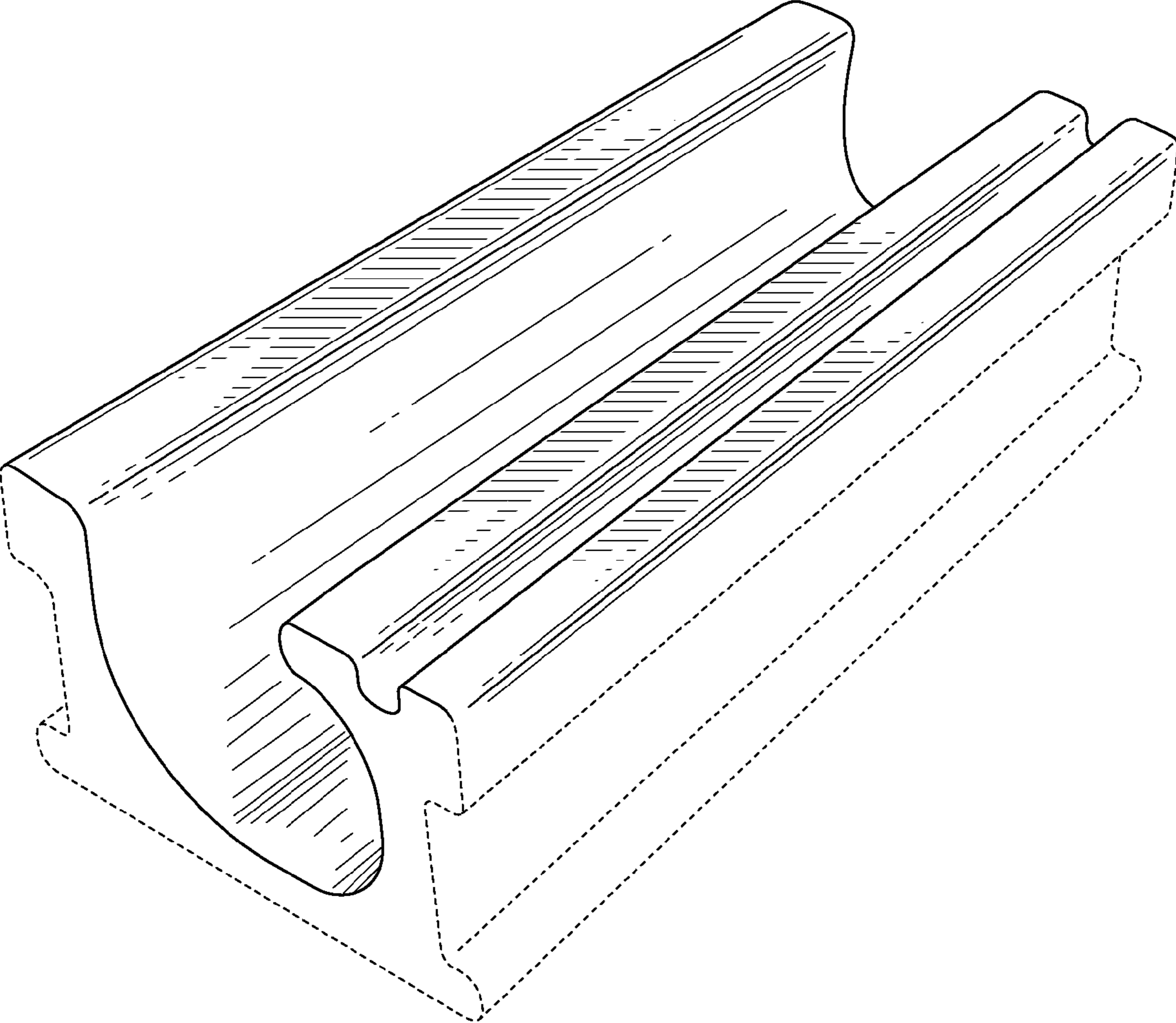


FIG. 1

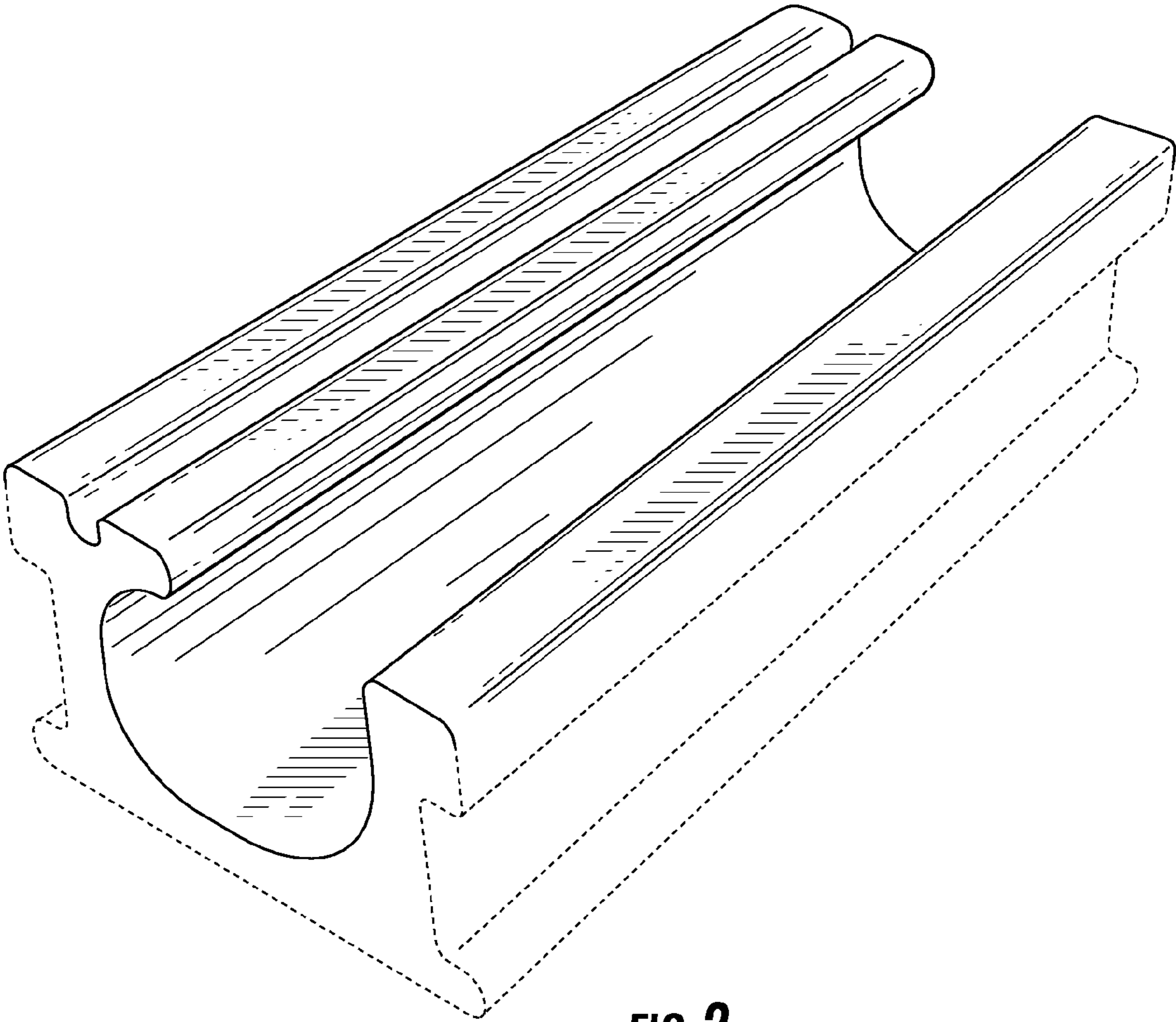


FIG. 2

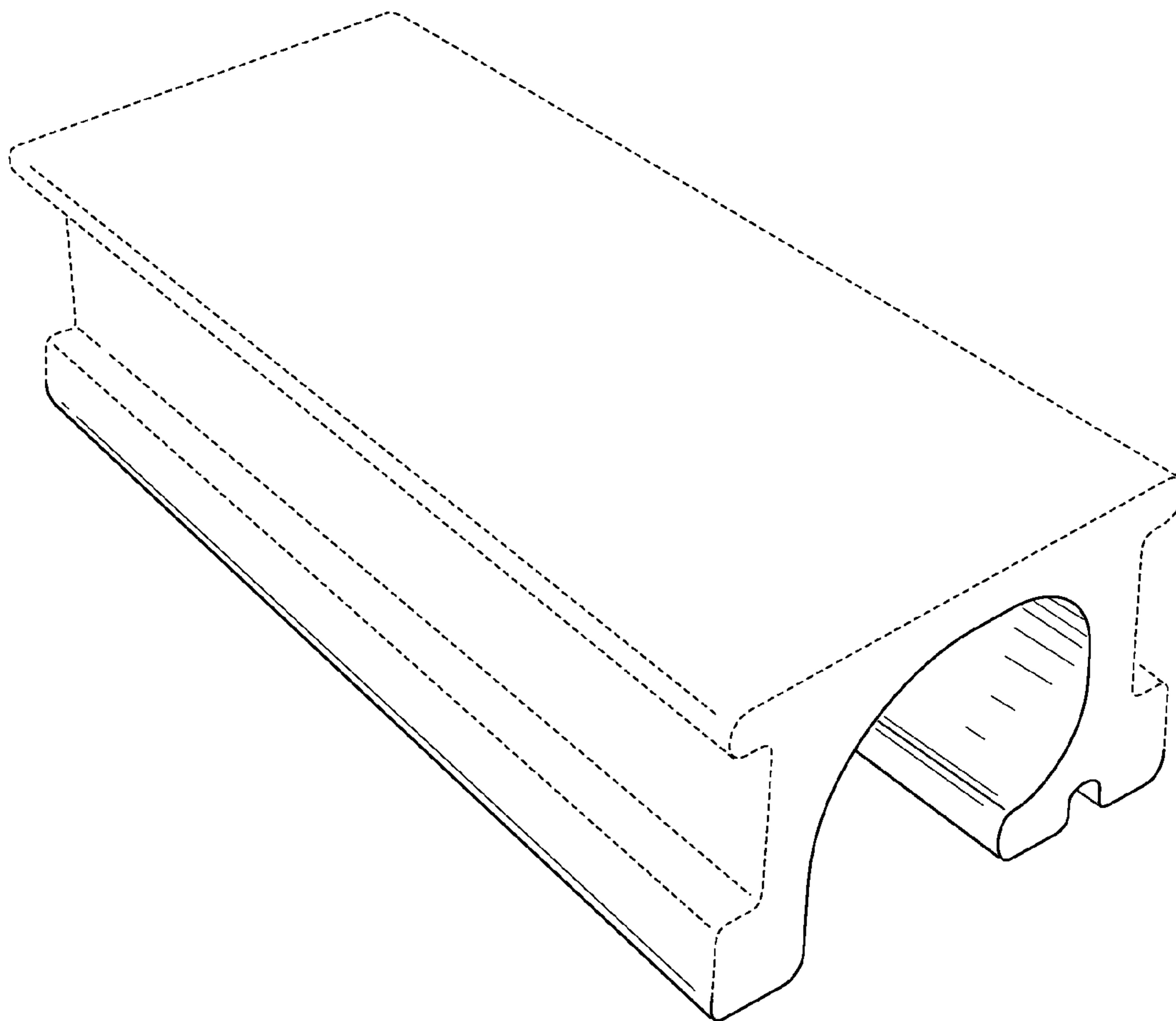


FIG. 3

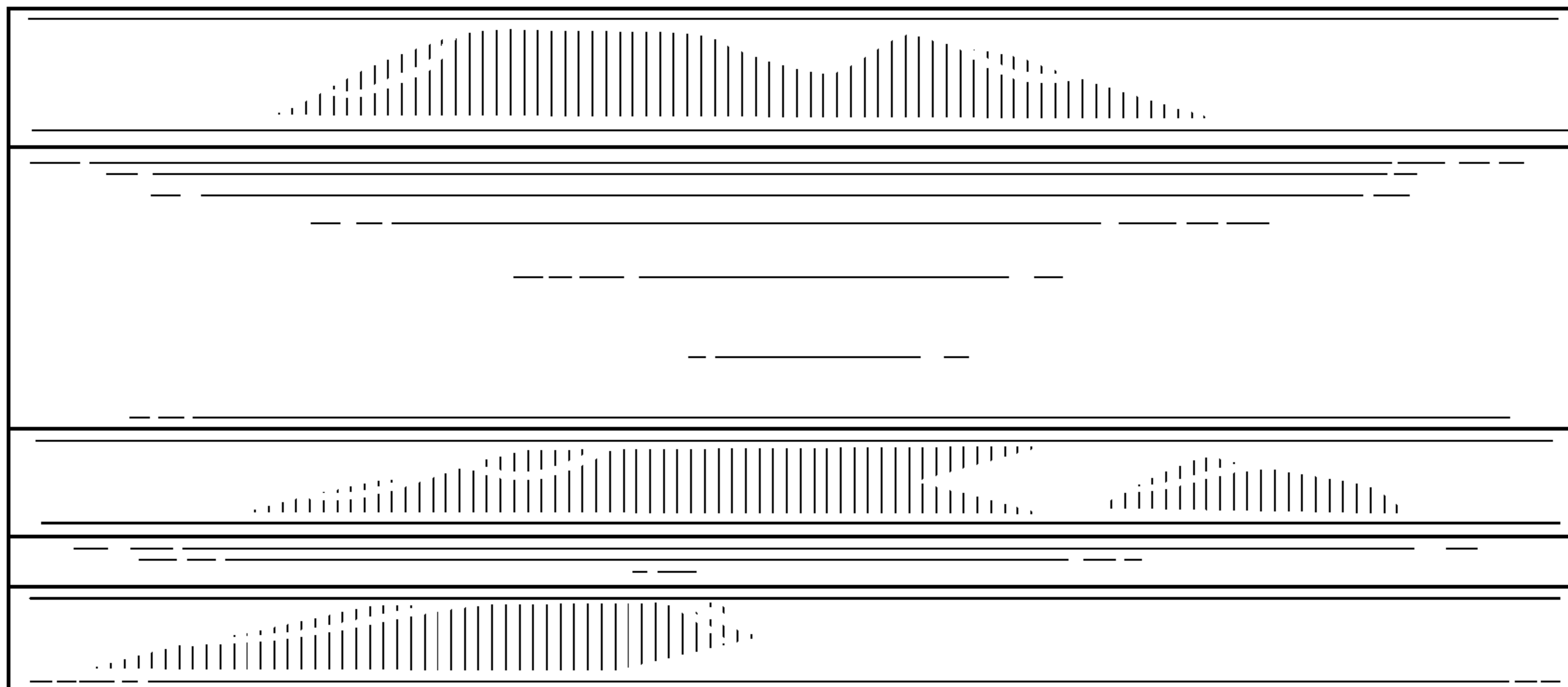


FIG. 4

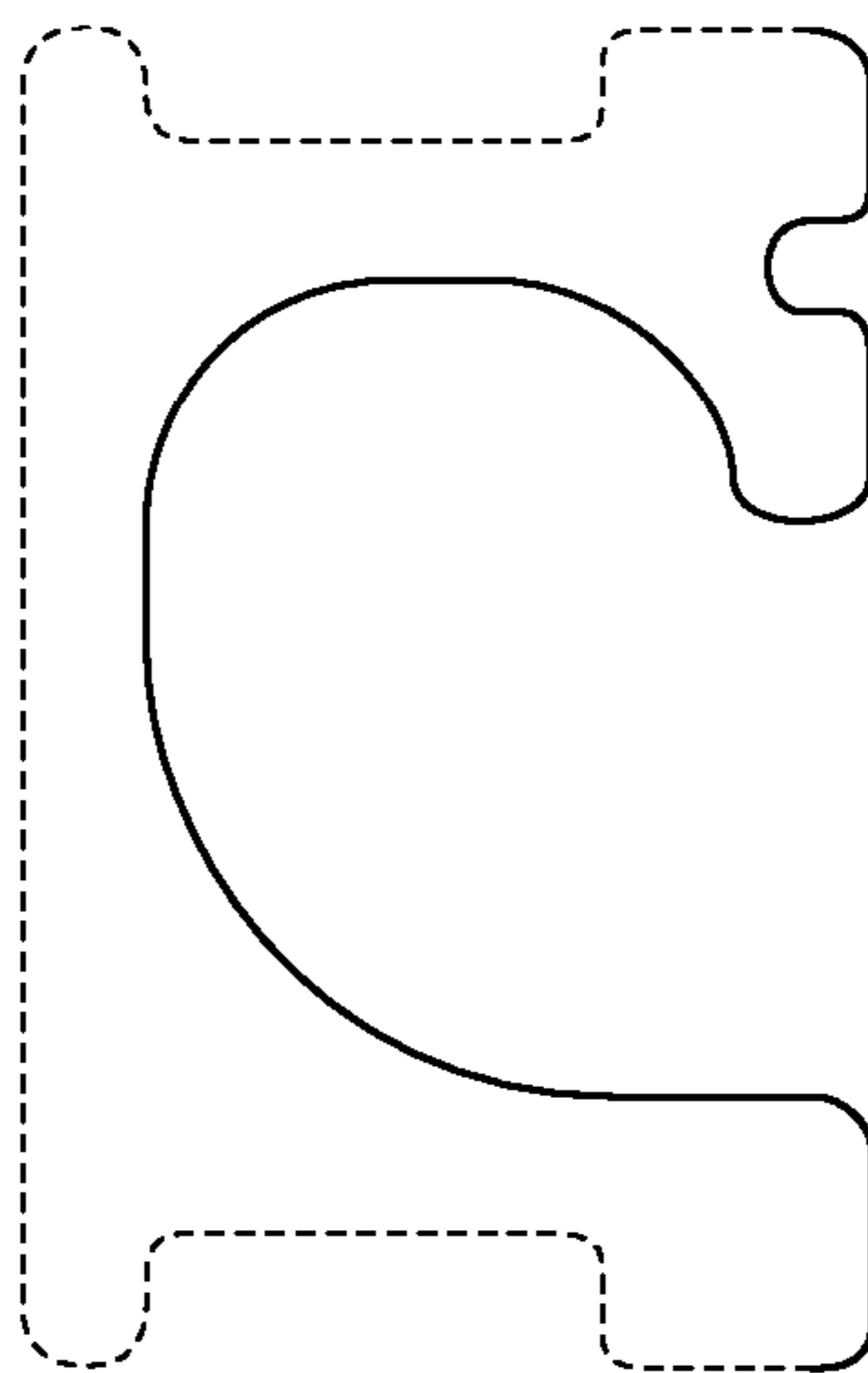


FIG. 5

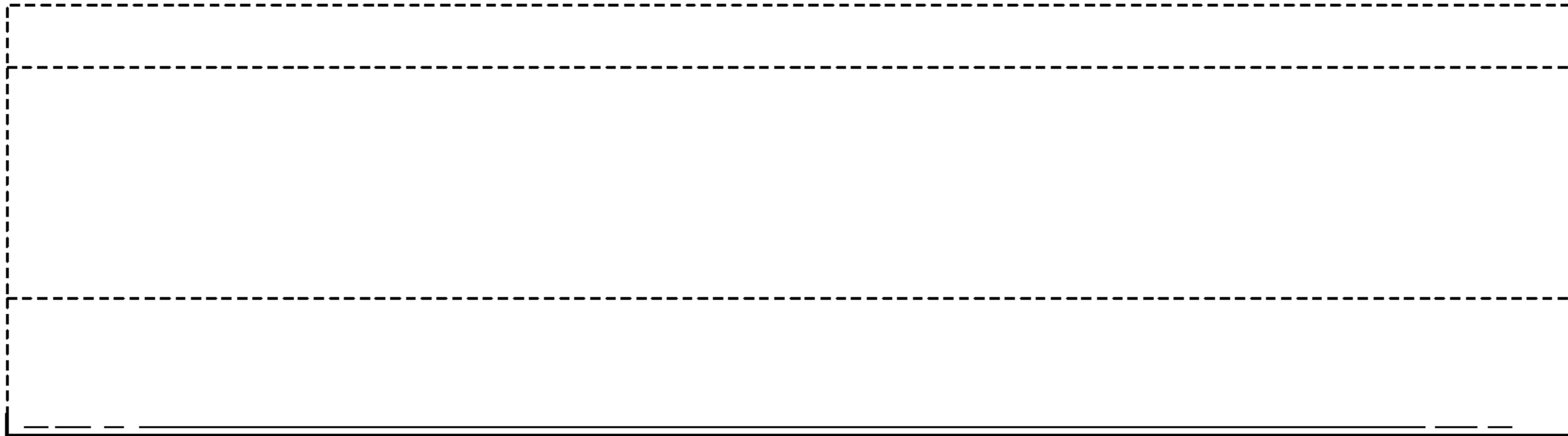


FIG. 6

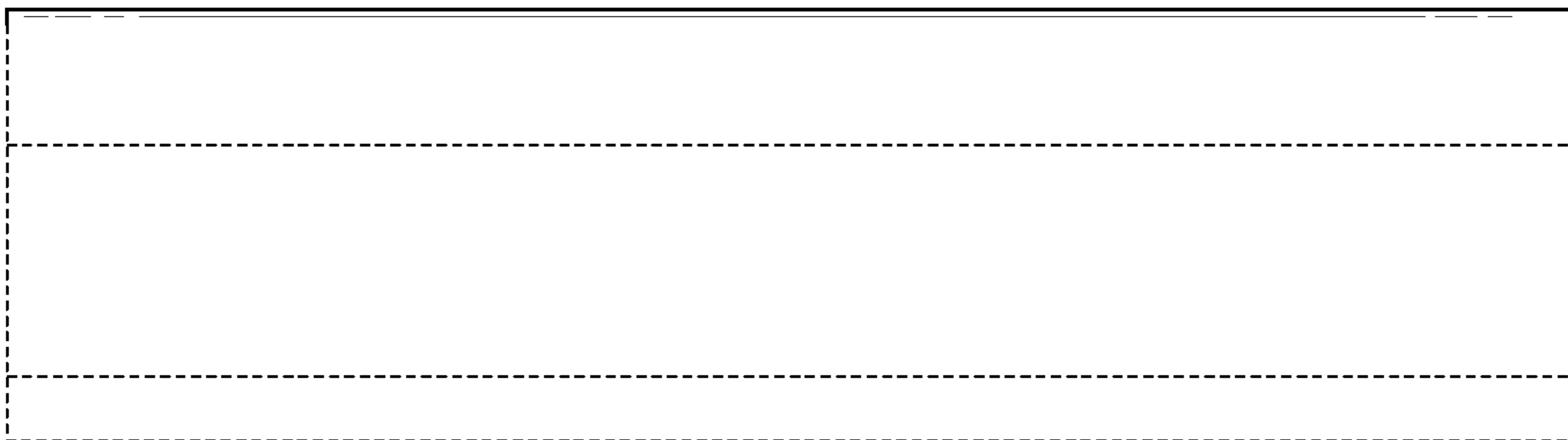


FIG. 7