



US00D546936S

(12) **United States Design Patent** (10) **Patent No.:** **US D546,936 S**  
**Ertze** (45) **Date of Patent:** **\*\* Jul. 17, 2007**

(54) **COMBINED CEILING FAN HOUSING AND LIGHT FIXTURE**

(75) Inventor: **Pablo J. Ertze**, Rancho Cucamonga, CA (US)

(73) Assignee: **Landmark Enterprise Inc.**, Bandar Seri Begawan (BN)

(\*\*) Term: **14 Years**

D483,464 S 12/2003 Tai  
D483,465 S 12/2003 Tai  
D483,847 S 12/2003 Tai  
D483,848 S 12/2003 Tai  
D483,849 S 12/2003 Tai  
D483,850 S 12/2003 Tai  
D484,588 S 12/2003 Tai  
D484,969 S 1/2004 Tai  
D485,344 S 1/2004 Tai  
D485,609 S 1/2004 Tai

(Continued)

(21) Appl. No.: **29/260,534**

(22) Filed: **May 25, 2006**

(51) **LOC (8) Cl.** ..... **23-04**

(52) **U.S. Cl.** ..... **D23/411**

(58) **Field of Classification Search** ..... D23/411,  
D23/413, 377, 379, 385; 416/5; D26/59,  
D26/72, 81-88, 51

See application file for complete search history.

(56) **References Cited**

**U.S. PATENT DOCUMENTS**

5,508,484 A	4/1996	Chen	
D396,530 S	7/1998	Tai	
D404,808 S	1/1999	Tai	
D404,809 S	1/1999	Tai	
D405,878 S	2/1999	Tai	
D408,073 S	4/1999	Tai	
D408,074 S	4/1999	Tai	
D408,516 S	4/1999	Tai	
D409,297 S	5/1999	Tai	
D417,494 S	* 12/1999	Evans	..... D23/377
6,059,531 A	5/2000	Tai	
6,135,618 A	10/2000	Tai	
6,259,025 B1	7/2001	Tai	
D451,993 S	* 12/2001	Hsieh	..... D23/377
6,379,116 B1	4/2002	Tai	
D457,947 S	5/2002	Tai	
6,392,148 B1	5/2002	Ueno et al.	
D458,675 S	6/2002	Tai	
D478,381 S	8/2003	Tai	
D483,463 S	12/2003	Tai	

Primary Examiner—Lisa Lichtenstein

(74) Attorney, Agent, or Firm—Morrison & Foerster LLP

(57) **CLAIM**

The ornamental design for a combined ceiling fan housing and light fixture, as shown and described.

**DESCRIPTION**

FIG. 1 is a perspective view of a ceiling fan having a fan housing, light, and blade irons constructed in accordance with the present invention, the ceiling fan illustrates an environment for said fan housing and light;

FIG. 2 is an enlarged perspective view of a fan housing, light, and blade irons in accordance with the present invention;

FIG. 3 is another perspective view of the fan housing, light, and blade irons in accordance with the present invention;

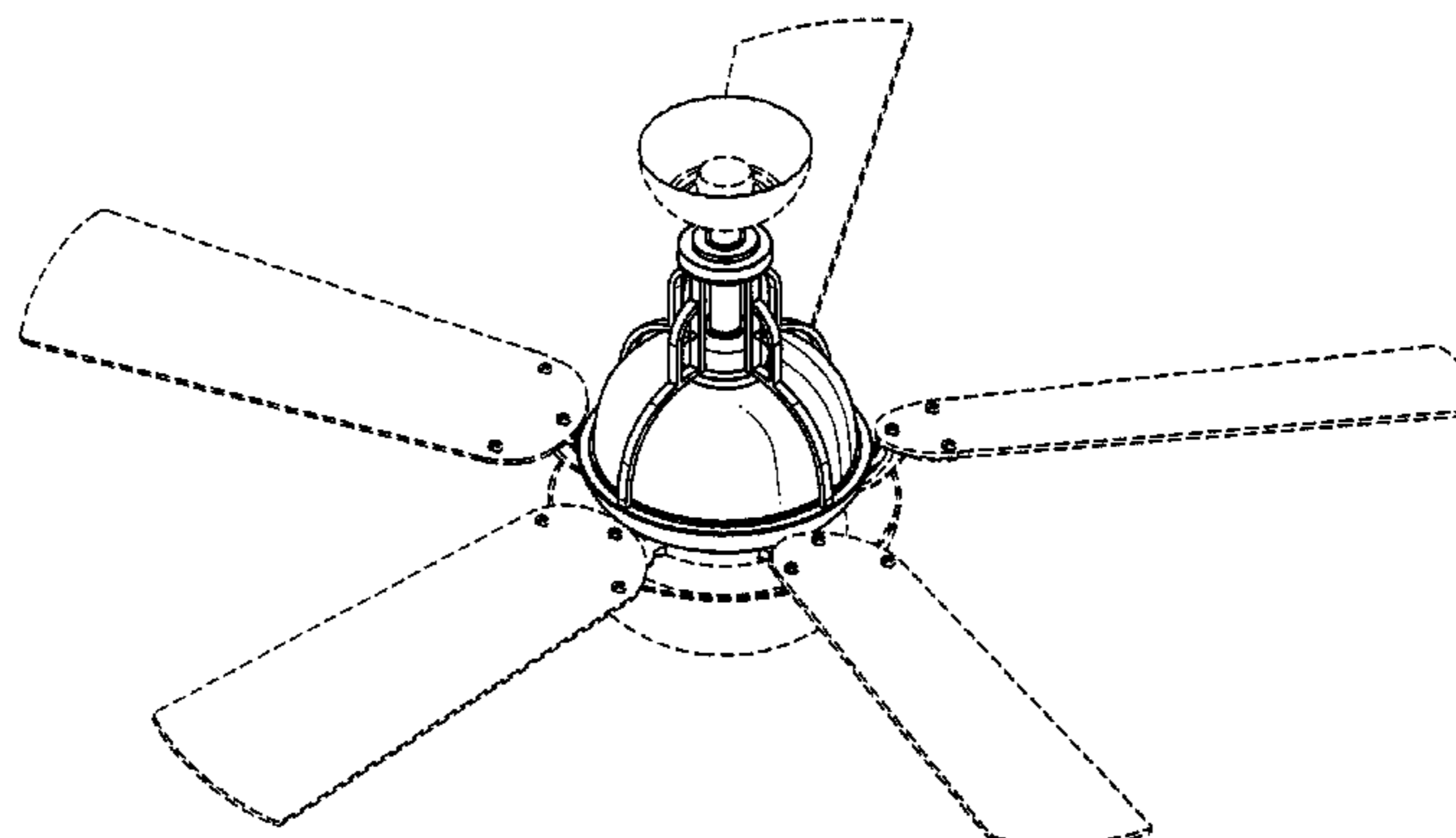
FIG. 4 is an enlarged top view of the fan housing, light, and blade irons in accordance with the present invention;

FIG. 5 is an enlarged bottom view of the fan housing, light, and blade irons in accordance with the present invention; and,

FIG. 6 is an enlarged front view of the fan housing, light, and blade irons in accordance with the present invention, the side views and the rear view being substantially the same.

The broken line showing of a ceiling fan canopy and blades is included for the purpose of illustrating environmental structure and forms no part of the claimed design.

**1 Claim, 4 Drawing Sheets**



# US D546,936 S

Page 2

---

## U.S. PATENT DOCUMENTS

D485,611 S	1/2004	Tai	D503,475 S	3/2005	Tai
D485,897 S	1/2004	Tai	D503,476 S	3/2005	Tai
D490,888 S	6/2004	Tai	D503,795 S	4/2005	Tai
D494,705 S	8/2004	Tai	D504,173 S	4/2005	Cohen
D501,578 S	2/2005	Tai	D505,197 S	5/2005	Tai
D503,472 S	3/2005	Tai	D505,724 S	5/2005	Tai
D503,473 S	3/2005	Tai	D507,644 S	7/2005	Tai
D503,474 S	3/2005	Tai	D507,830 S	7/2005	Pan

\* cited by examiner

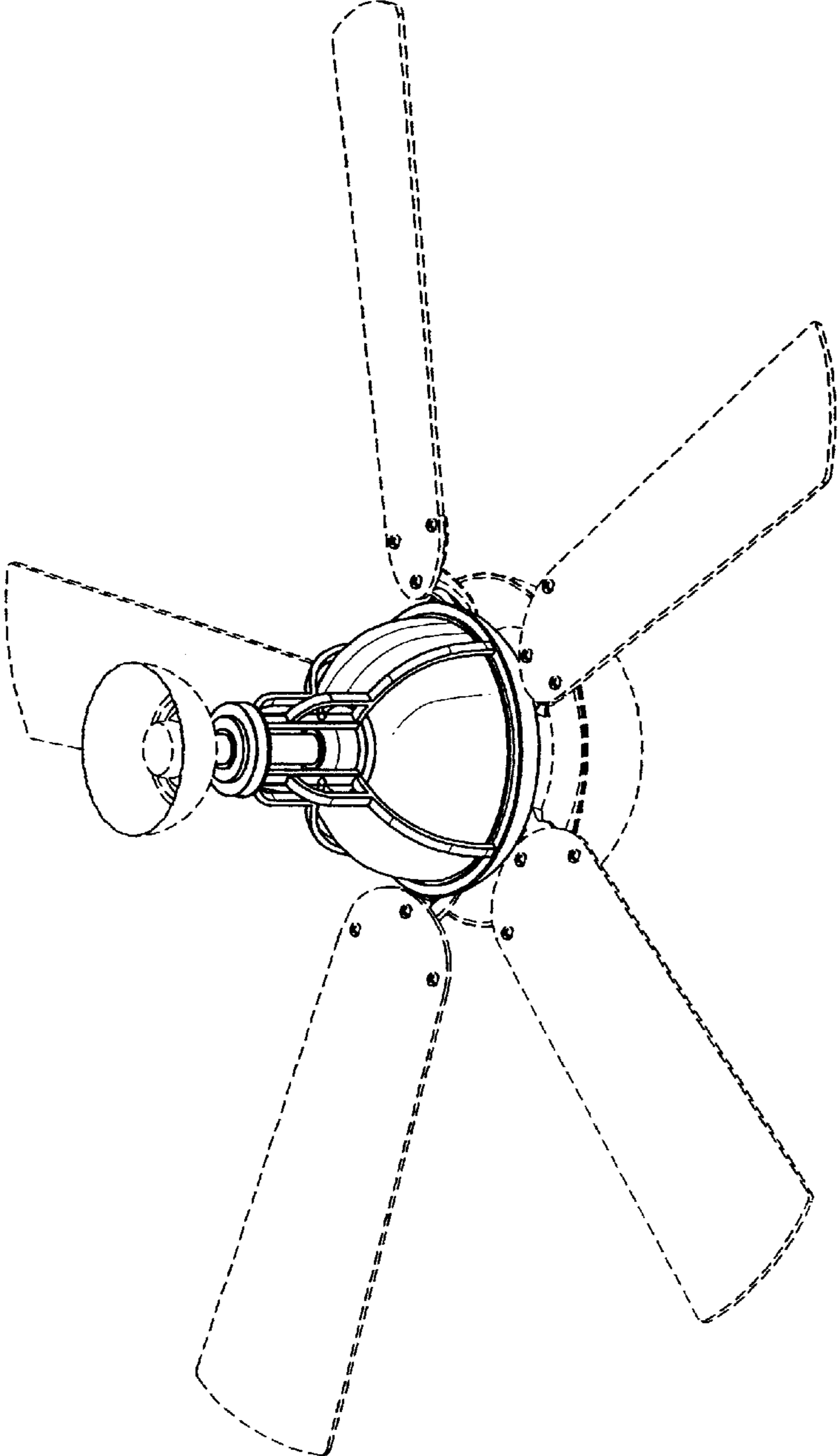


FIG. 1

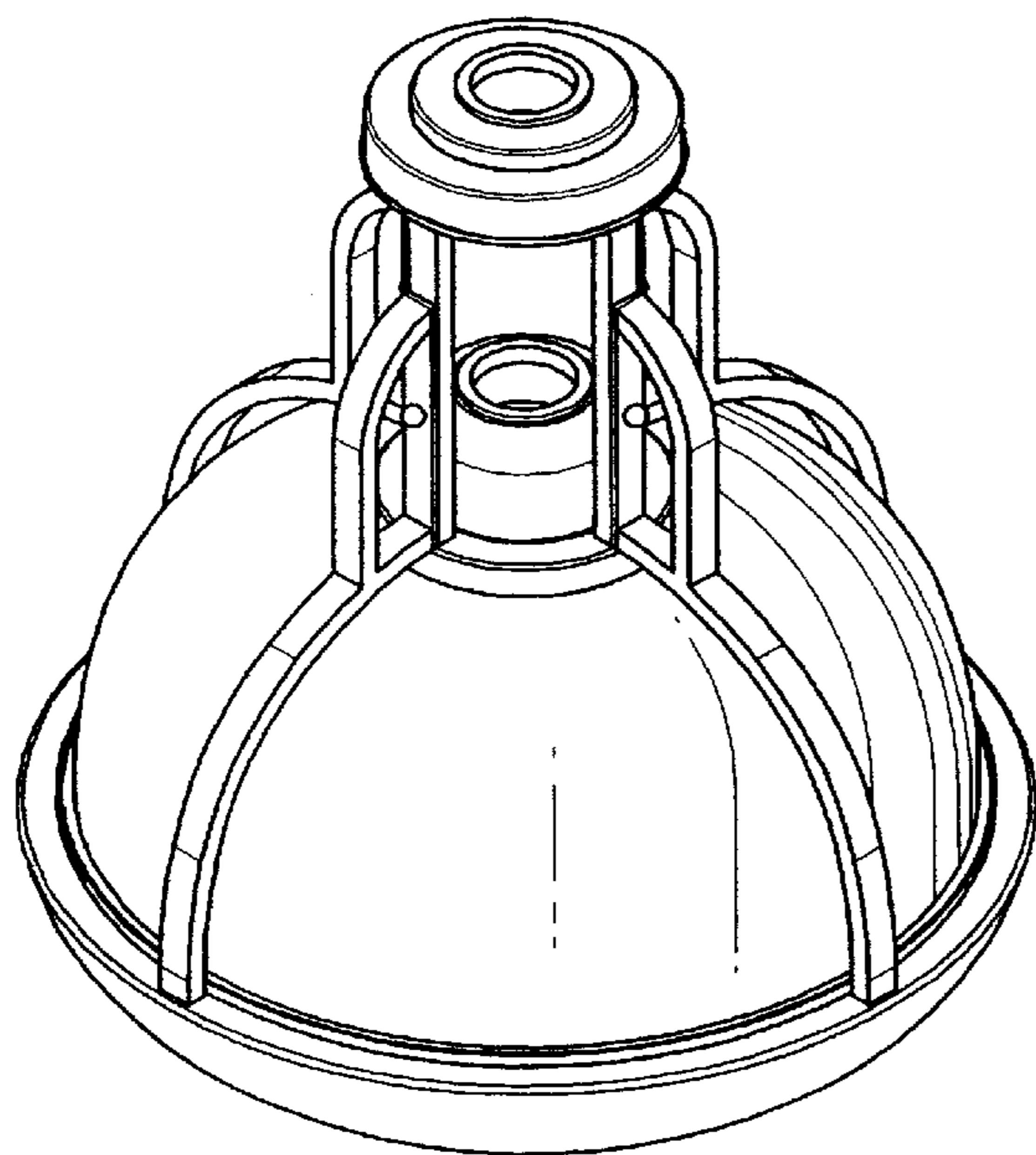


FIG. 2

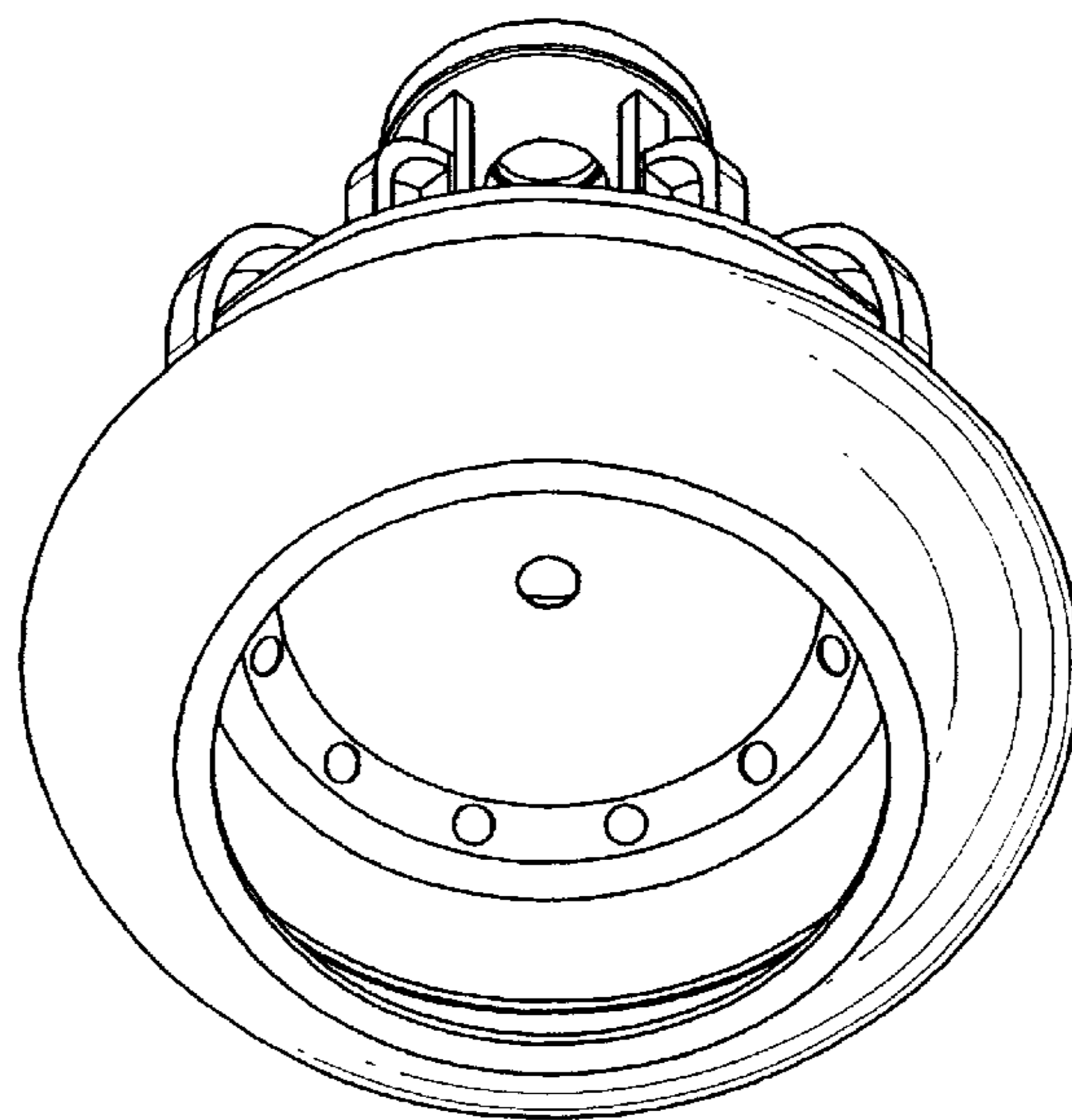


FIG. 3

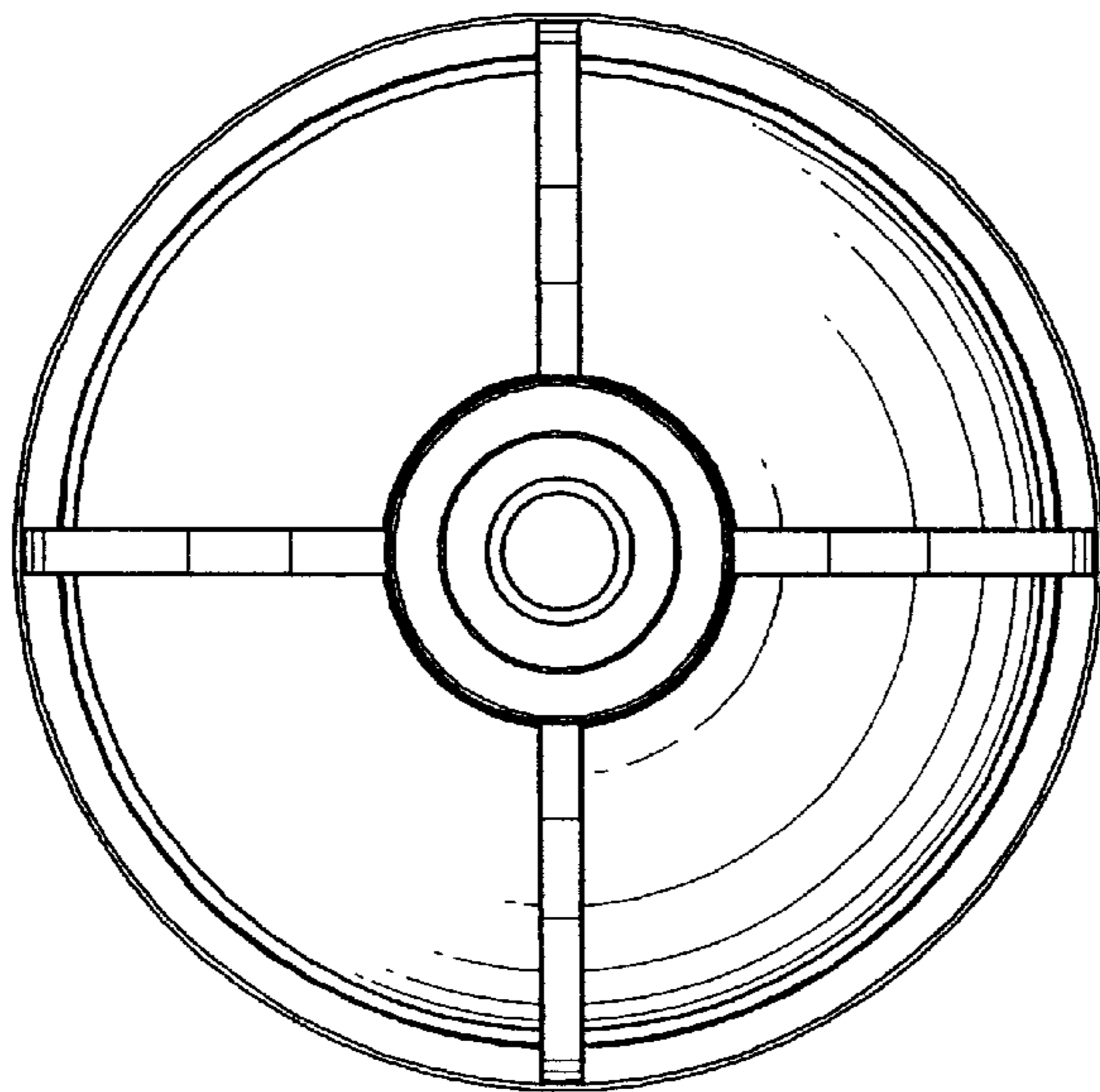


FIG. 4

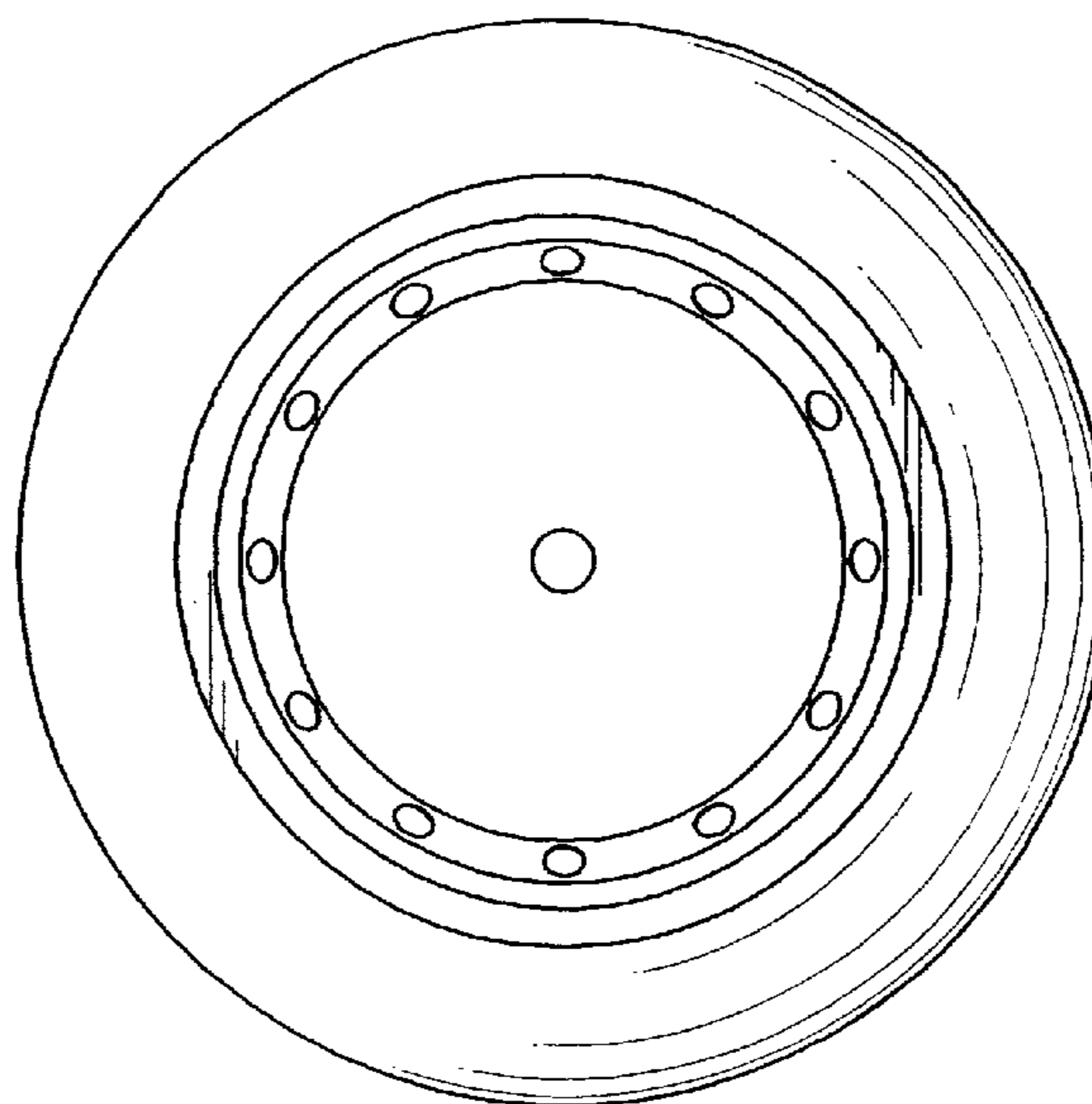


FIG. 5

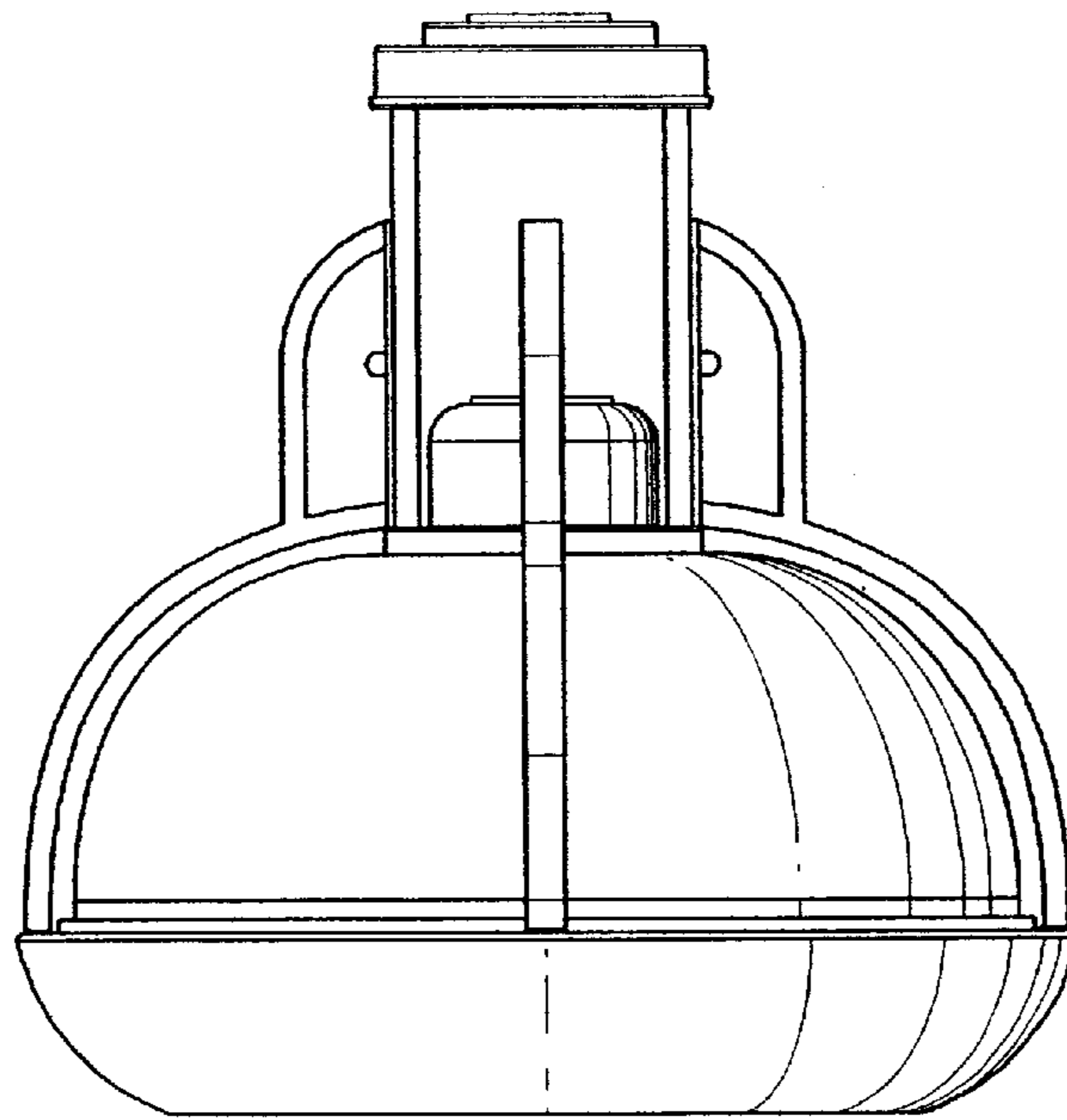


FIG. 6