



US00D546934S

(12) **United States Design Patent**
Economides

(10) **Patent No.:** **US D546,934 S**
(45) **Date of Patent:** **** Jul. 17, 2007**

(54) **HOSE ATTACHMENT ORGANIZER**

(76) Inventor: **Lester John Economides**, P.O. Box 82,
34218 SE. 22nd Way, Washougal, WA
(US) 98671

(**) Term: **14 Years**

(21) Appl. No.: **29/240,806**

(22) Filed: **Oct. 18, 2005**

Related U.S. Application Data

(63) Continuation-in-part of application No. 10/716,074,
filed on Nov. 17, 2003, now abandoned.

(51) **LOC (8) Cl.** **23-04**

(52) **U.S. Cl.** **D23/386**

(58) **Field of Classification Search** D23/386;
137/355.16; D8/71, 373; 211/70.6; 248/75,
248/215

See application file for complete search history.

(56) **References Cited**

U.S. PATENT DOCUMENTS

D175,455	S *	8/1955	Bartleman	D8/373
2,743,022	A	4/1956	Mapson		
3,667,712	A *	6/1972	Fergusonson	248/75
4,506,698	A	3/1985	Garcia et al.		
5,088,666	A	2/1992	Lang		
5,615,903	A *	4/1997	Spear et al.	211/70.6
5,769,246	A *	6/1998	Estep	211/70.6
5,906,350	A	5/1999	Kao		
5,934,314	A *	8/1999	Spear et al.	137/355.16

6,168,018	B1	1/2001	Ramsey et al.		
6,338,360	B2 *	1/2002	Spear et al.	137/355.22
6,431,373	B1	8/2002	Blick		
6,467,618	B2 *	10/2002	High et al.	211/70.6
6,488,151	B2 *	12/2002	Ramsey et al.	211/70.6
6,499,608	B1	12/2002	Sterling et al.		
6,575,312	B2 *	6/2003	Santa Cruz et al.	211/70.6
6,626,402	B1 *	9/2003	Kaminstein	211/70.6
D496,582	S *	9/2004	Heck	D8/373
2001/0007343	A1 *	7/2001	McElhaney, Jr.	248/215
2004/0188366	A1 *	9/2004	Tong	211/70.6

* cited by examiner

Primary Examiner—Louis Zarfaz

Assistant Examiner—David G. Muller

(74) *Attorney, Agent, or Firm*—Kurt M. Rylander; Rylander
& Associates PC

(57) **CLAIM**

The ornamental design for a hose attachment organizer, as
shown and described.

DESCRIPTION

FIG. 1 shows a perspective view of my design.

FIG. 2 shows a top view of my design.

FIG. 3 shows a bottom view of my design.

FIG. 4 shows a right side view of my design.

FIG. 5 shows a left side view of my design.

FIG. 6 shows a rear view of my design; and,

FIG. 7 shows a front view of my design.

1 Claim, 3 Drawing Sheets

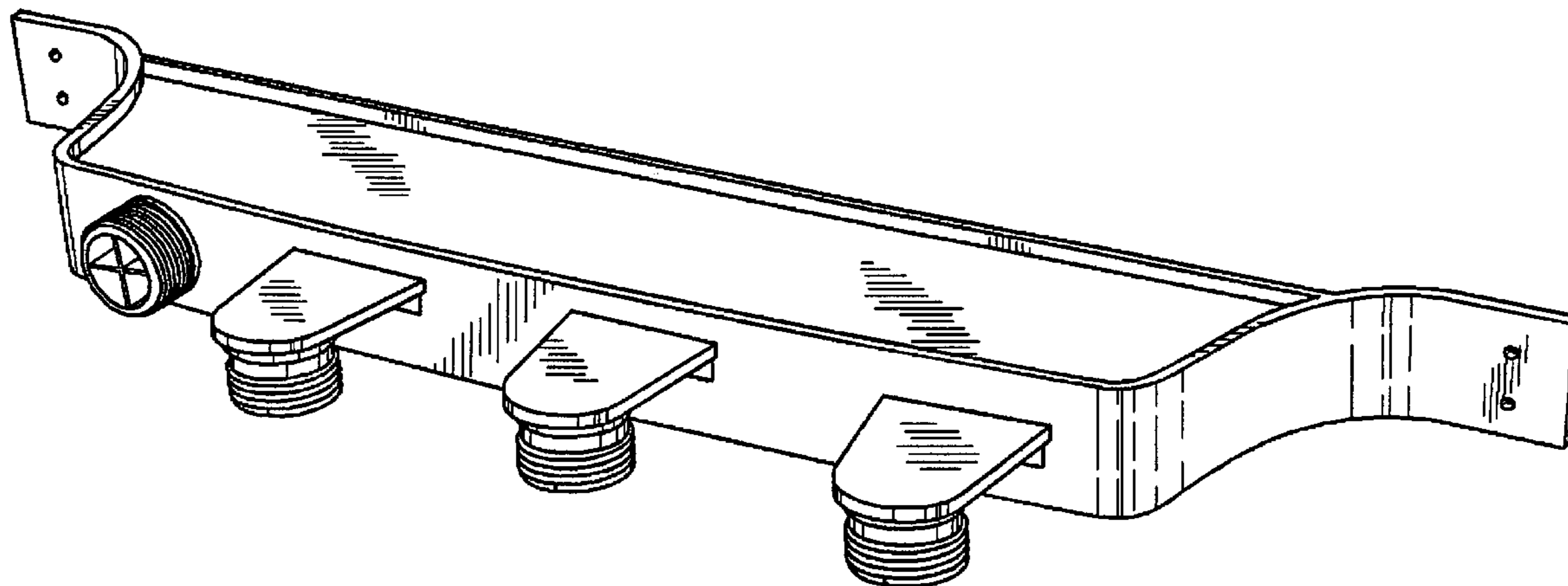


Fig. 1

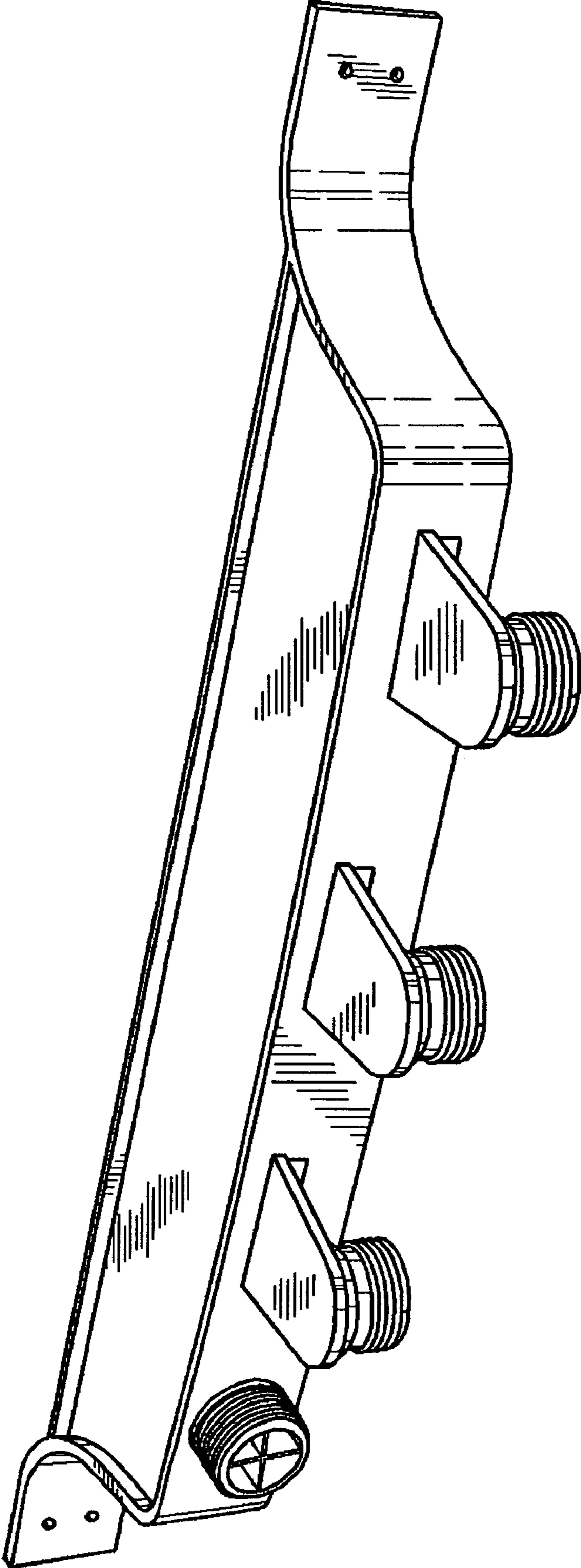


Fig.2

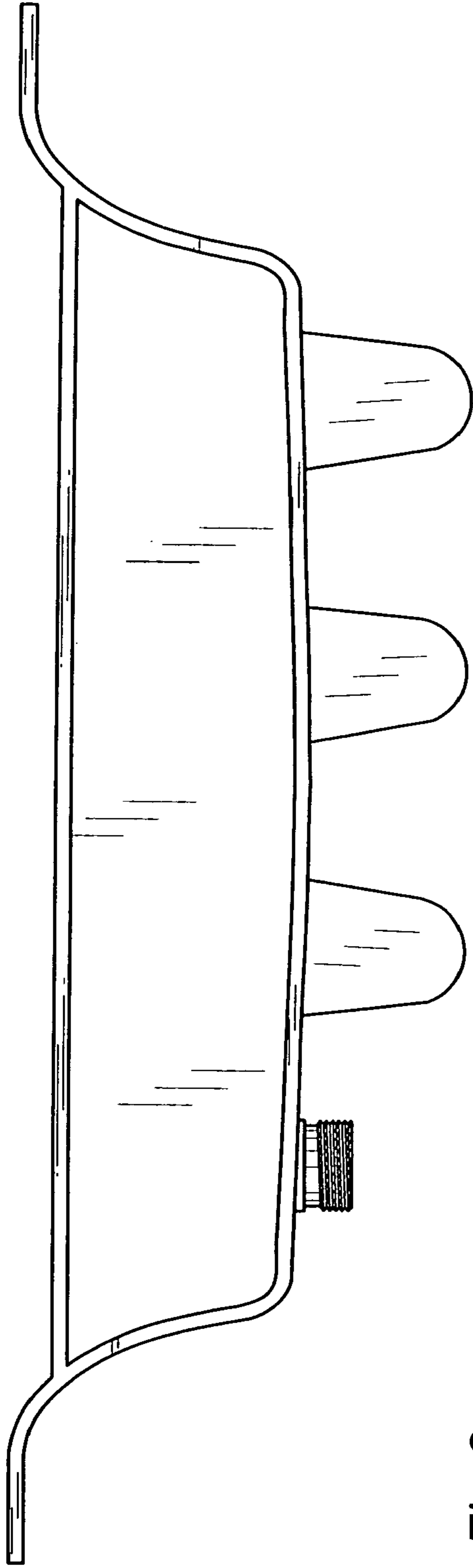


Fig.3

