



US00D546933S

(12) **United States Design Patent**  
**Chen**

(10) **Patent No.:** **US D546,933 S**

(45) **Date of Patent:** **\*\* Jul. 17, 2007**

(54) **DESK FAN**

(75) Inventor: **Yung Chen**, Clarendon Hills, IL (US)

(73) Assignee: **Squeeze Breeze/Circular, a division of GLJ, LLC**, Chicago, IL (US)

(\*\*) Term: **14 Years**

(21) Appl. No.: **29/257,255**

(22) Filed: **Mar. 31, 2006**

(51) **LOC (8) Cl.** ..... **23-04**

(52) **U.S. Cl.** ..... **D23/382**

(58) **Field of Classification Search** ..... D23/370,  
D23/381, 382, 332, 335-336, 411, 412; 416/247 R,  
416/246

See application file for complete search history.

(56) **References Cited**

**U.S. PATENT DOCUMENTS**

4,341,151	A	7/1982	Sakamoto	
D306,903	S	3/1990	Shin-Chin et al.	
D349,570	S	* 8/1994	Radtke, Jr.	D23/382
D365,393	S	* 12/1995	Geun	D23/382
5,547,343	A	8/1996	Jane et al.	
D386,565	S	11/1997	Jane et al.	
D387,151	S	12/1997	Fok et al.	
D387,153	S	* 12/1997	Fok	D23/382
D390,947	S	2/1998	Fok et al.	

D400,242	S	* 10/1998	Litvin	D23/382
D415,270	S	10/1999	Fok et al.	
D416,081	S	11/1999	Lee et al.	
D449,373	S	10/2001	Pinchuk	
D459,460	S	6/2002	Melwani et al.	
D460,542	S	7/2002	Li et al.	
6,682,308	B1	1/2004	Fei et al.	
D510,994	S	* 10/2005	Indio Da Costa	D23/382

\* cited by examiner

*Primary Examiner*—Lisa Lichtenstein

(74) *Attorney, Agent, or Firm*—Gifford, Krass, Groh, Sprinkle, Anderson & Citkowski, P.C.

(57) **CLAIM**

I claim the ornamental design for a desk fan, as shown and described.

**DESCRIPTION**

FIG. 1 is a perspective view of the fan according to the present design;

FIG. 2 is a front view of the present design;

FIG. 3 is a rear view of the present design;

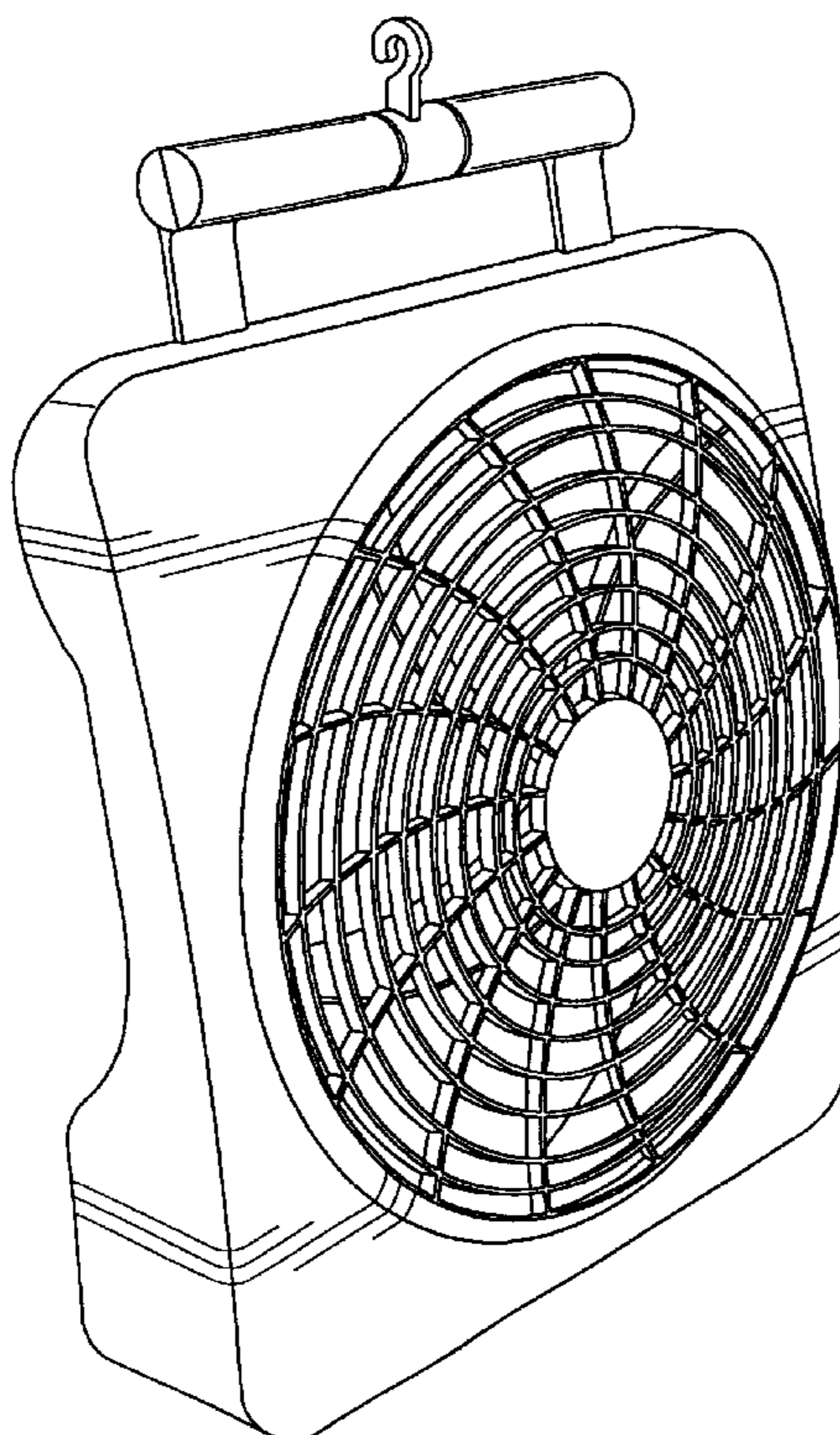
FIG. 4 is a top view of the present design;

FIG. 5 is a bottom view of the present design;

FIG. 6 is a right side view of the present design; and,

FIG. 7 is a corresponding left side view of the present design.

**1 Claim, 3 Drawing Sheets**



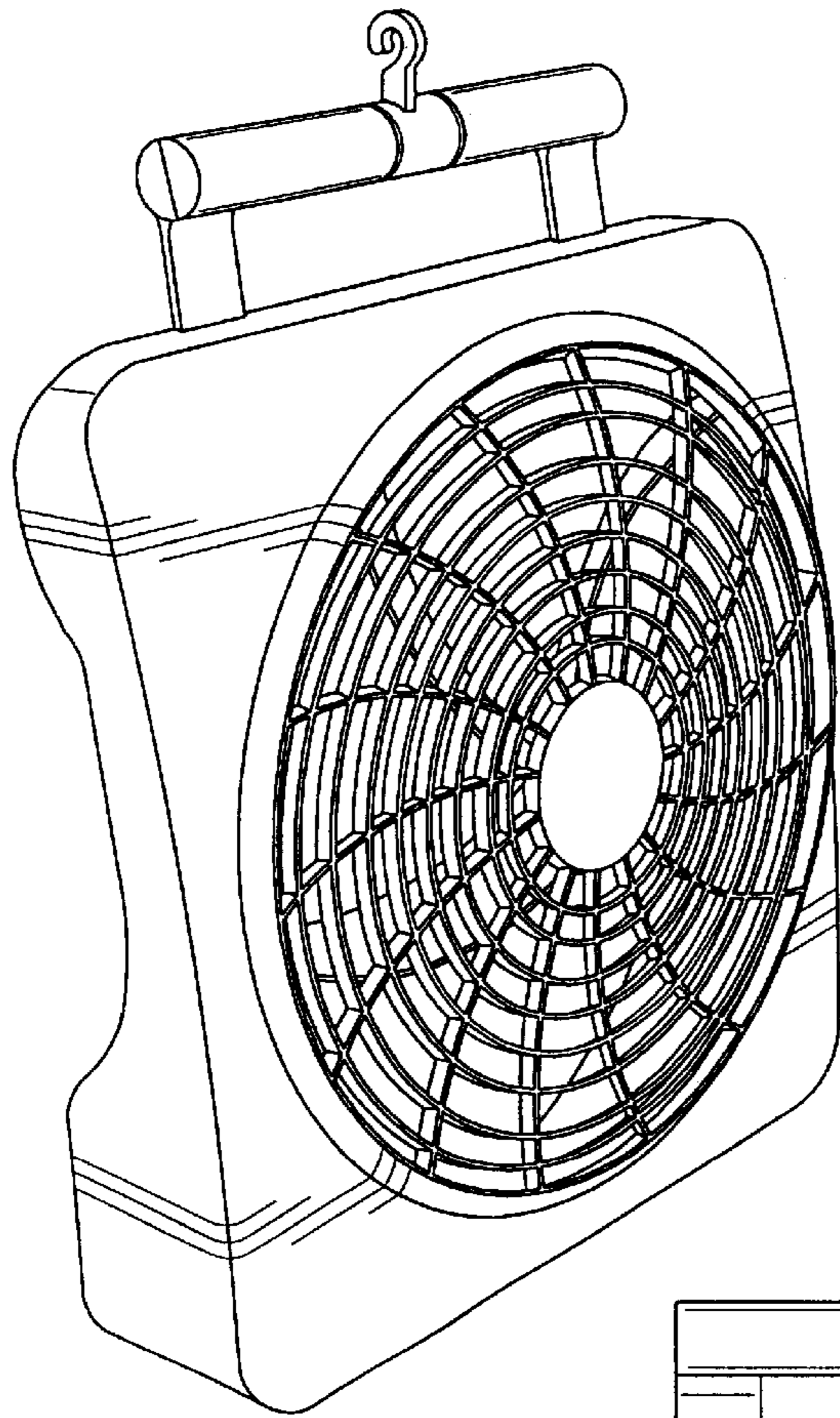


Fig-1

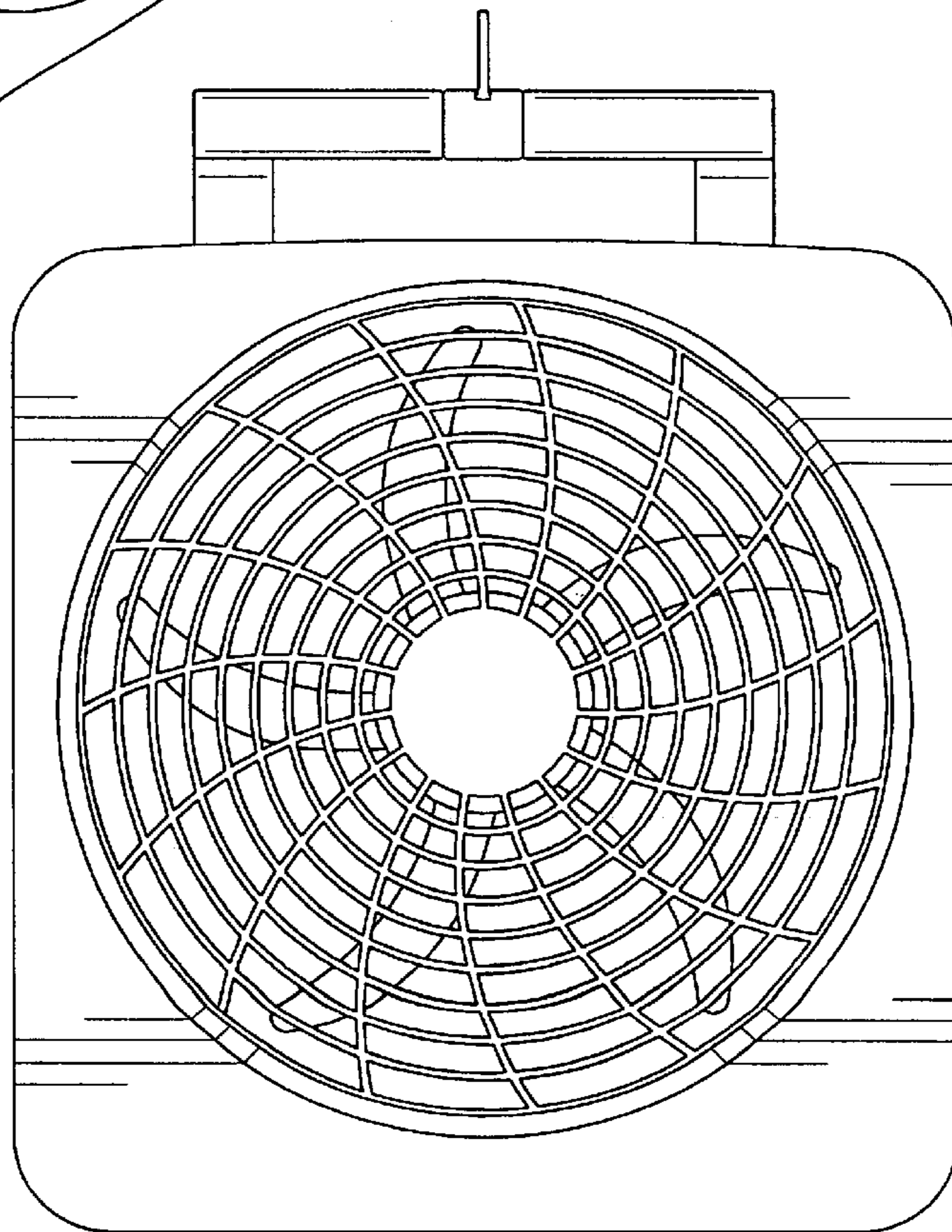


Fig-2

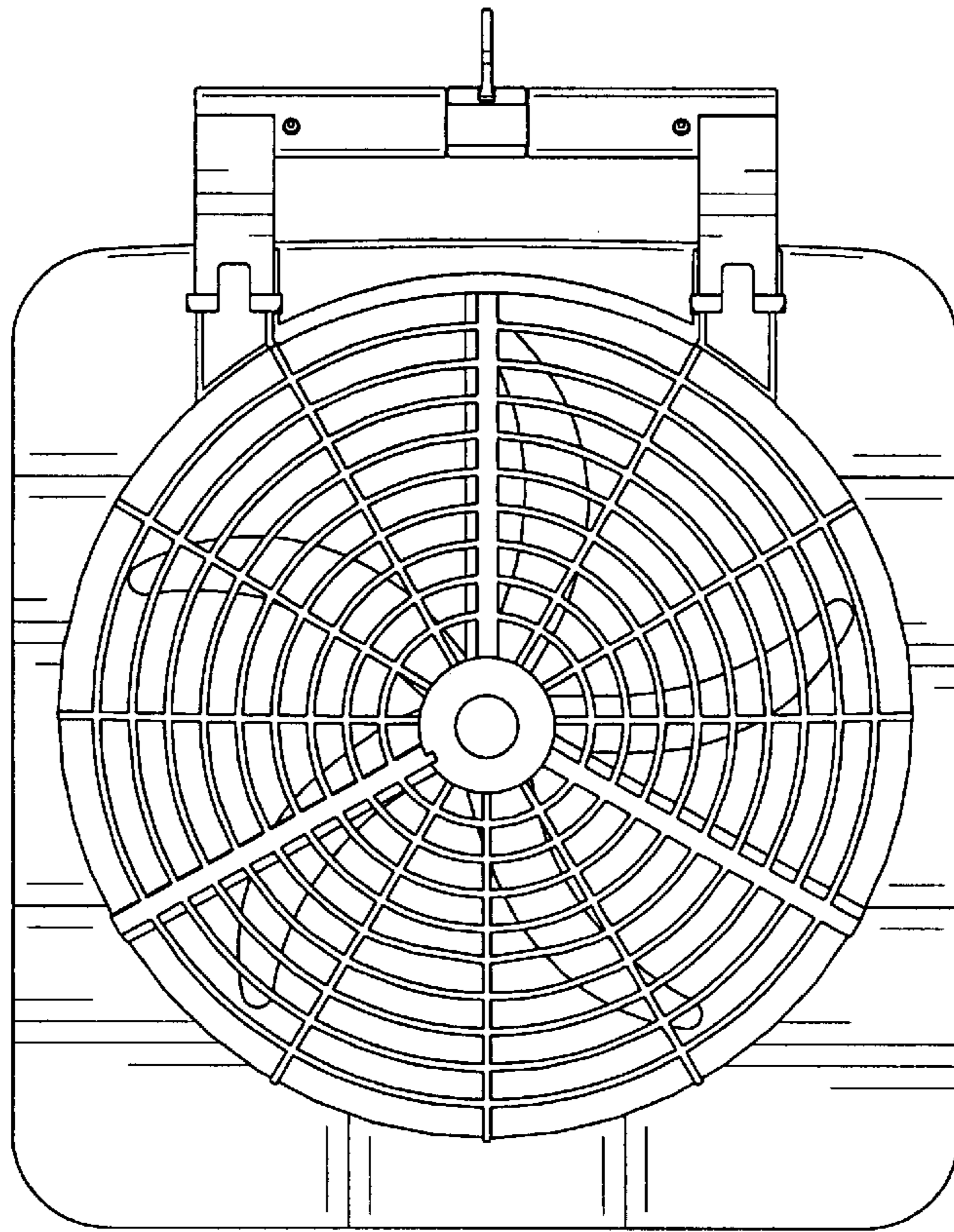


Fig-3

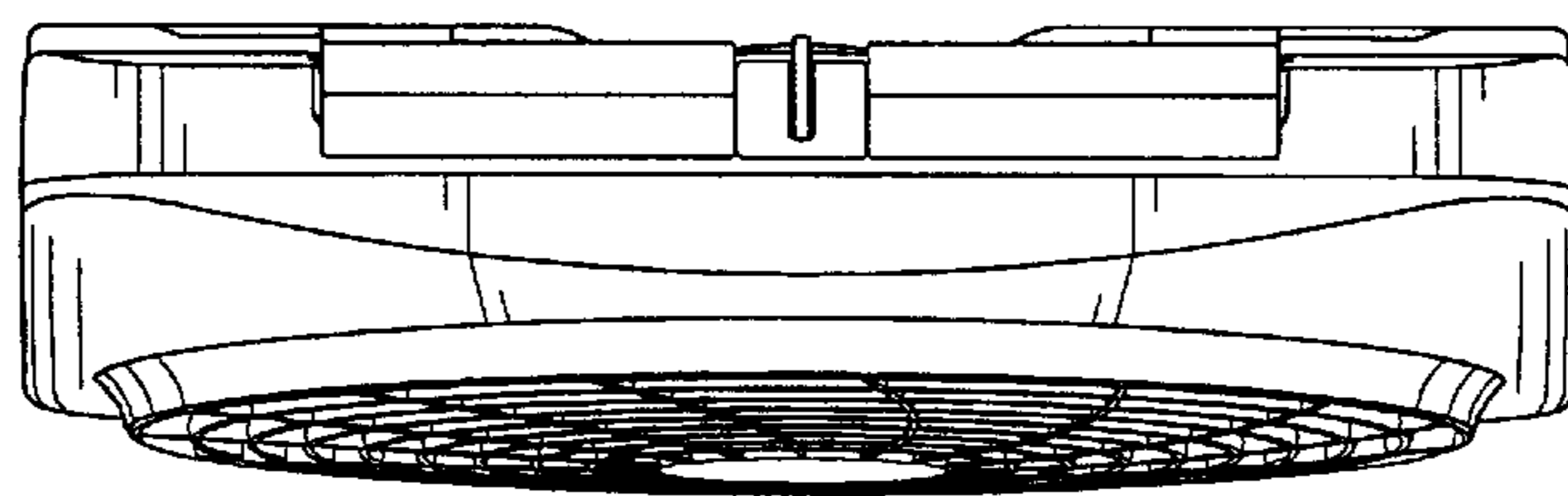


Fig-4

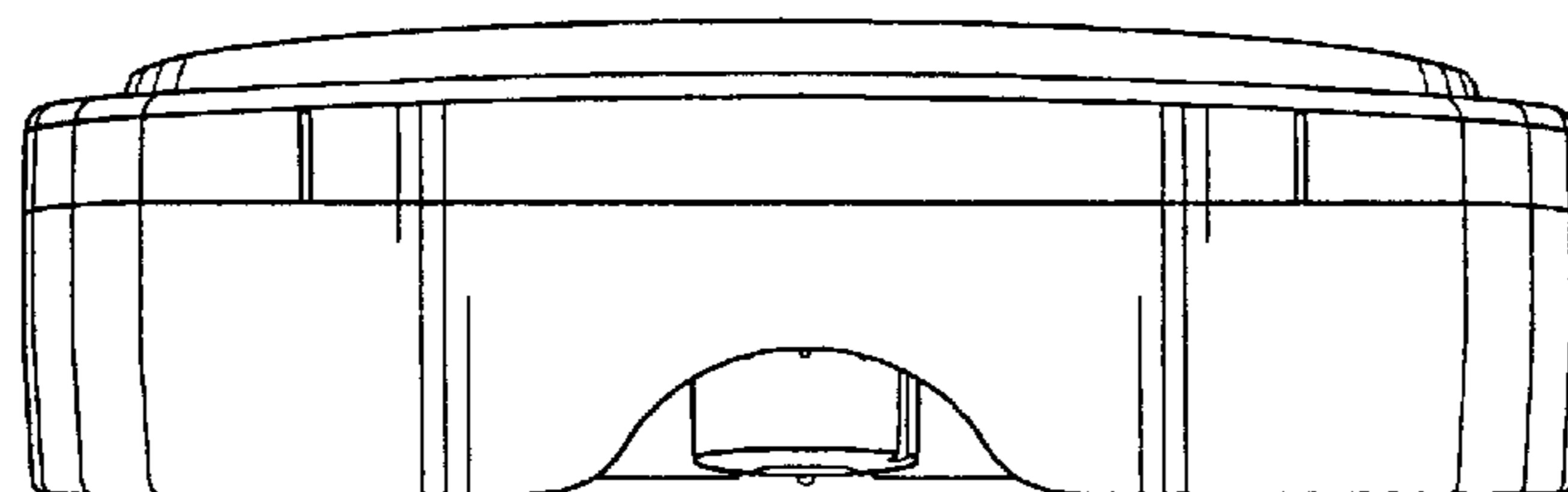


Fig-5



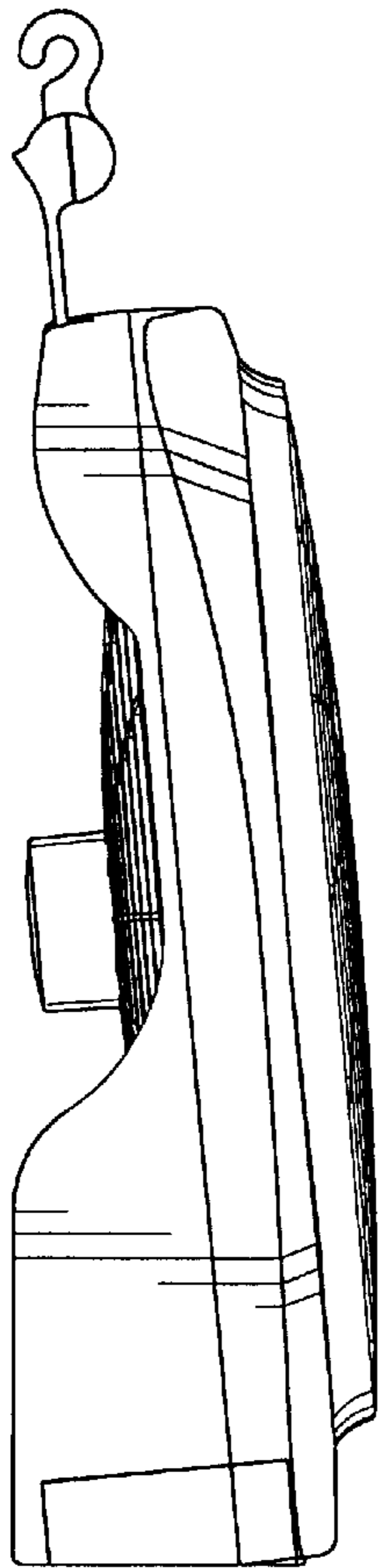


Fig-6

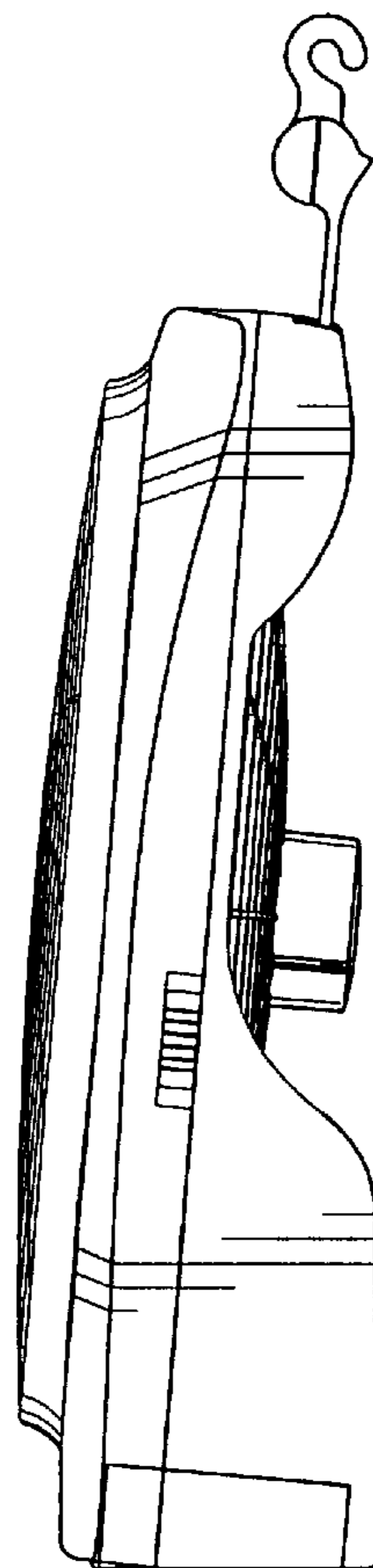


Fig-7