



US00D546929S

(12) **United States Design Patent** (10) **Patent No.:** **US D546,929 S**
Schneider et al. (45) **Date of Patent:** **** Jul. 17, 2007**

(54) **SINK**
(75) Inventors: **Wolfgang Schneider**, Eppingen (DE);
Brigitte Ziemann, Eppingen (DE);
Michael Osterroth, Waghausel (DE)
(73) Assignee: **Blanco GmbH + Co KG** (DE)
(**) Term: **14 Years**
(21) Appl. No.: **29/256,748**
(22) Filed: **Mar. 24, 2006**
(51) **LOC (8) Cl.** **23-02**
(52) **U.S. Cl.** **D23/290**
(58) **Field of Classification Search** D23/290,
D23/303, 308; 4/639-642
See application file for complete search history.

DE 3925590 A 2/1991
DE 4241023 A 6/1994
DE 4437630 1/1996
DE 29620839 U1 3/1997
DE 29822399 U1 4/1999
EP 0685021 B1 12/1995
EP 0 709 528 5/1996
EP 0 976 881 2/2000
EP 1 103 665 5/2001
EP 1188685 A2 3/2002
FR 1319427 3/1963
FR 2430532 7/1979
FR 2 832 440 5/2003
GB 2108195 A 5/1983
GB 2263060 A 7/1993
JP 63272682 11/1988
JP 10029684 2/1998
NL 8201555 11/1983

(56) **References Cited**

U.S. PATENT DOCUMENTS

D147,748 S * 10/1947 Harder D23/290
4,039,077 A 8/1977 Sorenson
4,584,822 A 4/1986 Fielding et al.
5,653,550 A 8/1997 Mutz et al.
5,860,172 A 1/1999 Pfeiffer
RE37,253 E 7/2001 Moren et al.
6,308,351 B1 10/2001 Franke
6,382,422 B1 5/2002 Bocek
D502,764 S * 3/2005 Bayer et al. D23/290
D508,555 S 8/2005 Ziemann
D518,881 S 4/2006 Ziemann
2003/0041374 A1 3/2003 Franke
2004/0078892 A1 4/2004 Albarran
2005/0205193 A1 9/2005 Von Mertz
2005/0263427 A1 12/2005 Schneider et al.

FOREIGN PATENT DOCUMENTS

DE 1920893 A 11/1970
DE 1628684 12/1970
DE 2640935 A1 3/1977
DE 2813088 A 10/1979
DE 7820319 U1 12/1979
DE 3 110 134 10/1982

OTHER PUBLICATIONS

European Patent Office Search Report for European Patent Application No. 04 012 865.4, Nov. 3, 2004 (3 pages).

(Continued)

Primary Examiner—Robert A. Delehanty
(74) *Attorney, Agent, or Firm*—Hanley, Flight & Zimmerman, LLC

(57) **CLAIM**

The ornamental design for a “sink,” as shown and described.

DESCRIPTION

FIG. 1 is a top, right perspective view of a sink showing our new design.

FIG. 2 is a top plan view of the sink of FIG. 1.

FIG. 3 is a bottom view of the sink of FIG. 1.

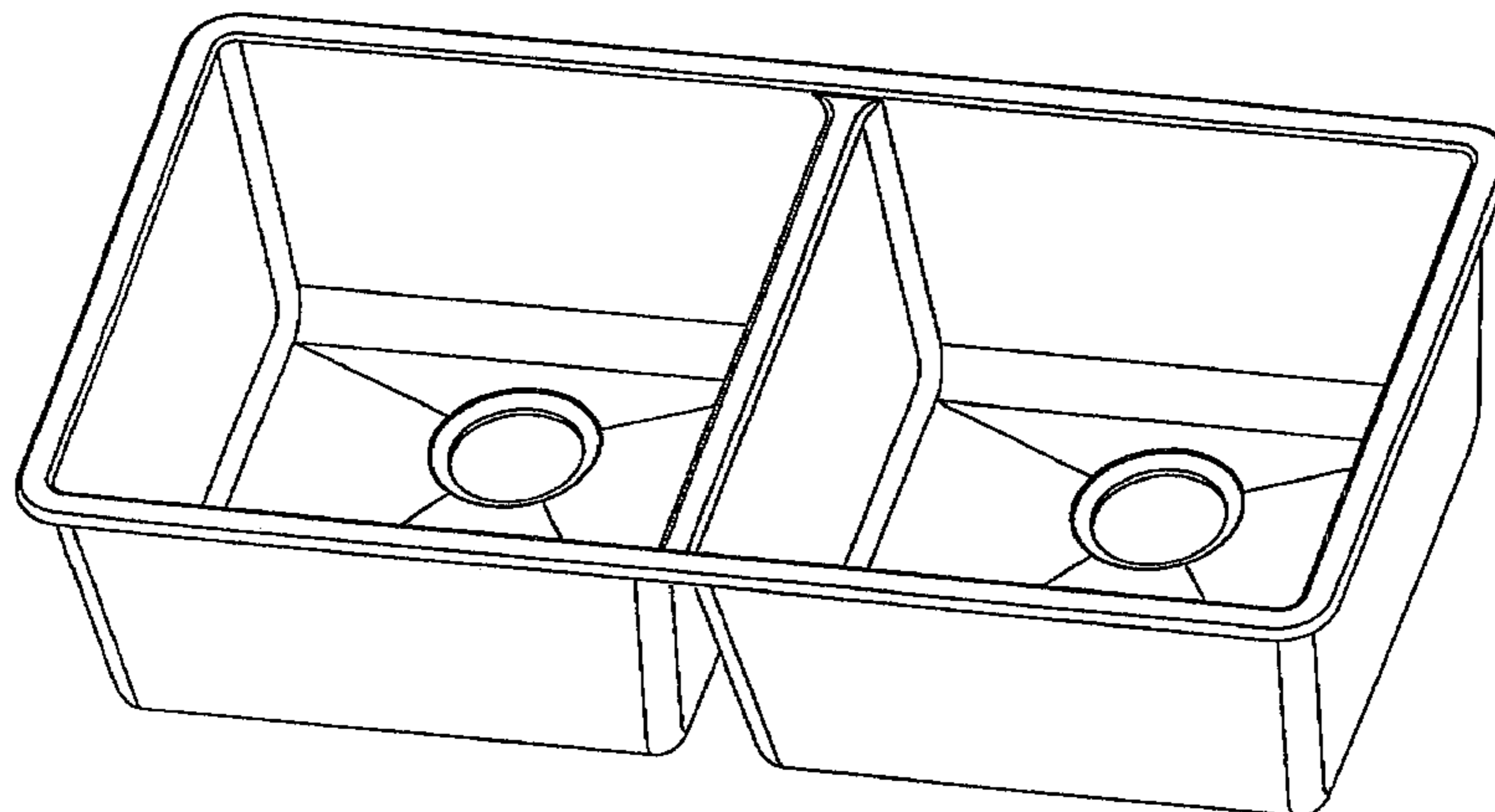
FIG. 4 is a front view of the sink of FIG. 1.

FIG. 5 is a rear view of the sink of FIG. 1.

FIG. 6 is a left side view of the sink of FIG. 1; and,

FIG. 7 is a right side view of the sink of FIG. 1.

1 Claim, 7 Drawing Sheets



OTHER PUBLICATIONS

European Patent Office Search Report for European Patent Application No. 04 012 866.2, Nov. 12, 2004 (3 pages).

International Search Report corresponding to International Application No. PCT/EP2004/012840 (5 pages).

Office action of German Patent Office corresponding to German Application No. 103 55 032.1 (2 pages).

International Search Report corresponding to International Application Serial No. PCT/EP2004/007830, Oct. 5, 2004, 3 pages.

Ziemann, Brigitte, U.S. Appl. No. 29/225,634, filed Mar. 18, 2005 for "Sink."

Schneider, Wolfgang, U.S. Appl. No. 11/140,830, filed May 31, 2005 for "Built-Under Sinks."

Ziemann, Brigitte, U.S. Appl. No. 29/242,599, filed Nov. 10, 2005 for "Sink Performa V2 Big Single."

Ziemann, Brigitte, U.S. Appl. No. 29/242,618, filed Nov. 10, 2005 for "Sink Performa K4 2.0 Small."

Ziemann, Brigitte, U.S. Appl. No. 29/242,607, filed Nov. 10, 2005, for "Sink Performa K4 1.0 Large."

Ziemann, Brigitte, U.S. Appl. No. 29/242,581, filed Nov. 10, 2005, for "Sink Performa K3 30 1.5."

Ziemann, Brigitte, U.S. Appl. No. 29/242,612, filed Nov. 10, 2005 for "Sink Performa V2 Single Bar."

Ziemann, Brigitte, U.S. Appl. No. 29/242,608, filed Nov. 10, 2005 for "Sink Performa K4 1.0 Super Single."

Ziemann, Brigitte, U.S. Appl. No. 29/242,611, filed Nov. 10, 2005 for "Sink Performa K4 1.5."

Ziemann, Brigitte, U.S. Appl. No. 29/242,627, filed Nov. 10, 2005 for "Sink Performa K4 1.75."

Ziemann, Brigitte, U.S. Appl. No. 29/242,600, filed Nov. 10, 2005 for "Sink Performa V2 33 1.75 Left."

Ziemann, Brigitte, U.S. Appl. No. 29/242,626, filed Nov. 10, 2005 for "Sink Performa K3 30 Single Bar."

Schneider, Wolfgang, U.S. Appl. No. 29/240,298, filed Oct. 11, 2005, for "Sink."

Ziemann, Brigitte, U.S. Appl. No. 29/242,610, filed Nov. 10, 2005 for "Sink Performa V2 Double."

Von Mertz, Gert Spruner et al., U.S. Appl. No. 11/321,683, filed December 28, 2005 for "A Movement Mechanism for Moving a Closure Element for the Purposes of Sealing a Waste Outlet Opening."

Schneider, Wolfgang et al., U.S. Appl. No. 11/403,315, filed Apr. 13, 2006 for "Sink."

Ziemann, Brigitte, U.S. Appl. No. 29/242,523, filed Nov. 10, 2005 for "Sink Performa K3 30 Double."

Von Mertz, Gert Spruner, U.S. Appl. No. 11/057,961, filed Nov. 13, 2003 for "Installation Elements and Methods for Fastening an Installation Element to a Work Surface."

Schneider, Wolfgang et al., U.S. Appl. No. 10/872,855, filed Jun. 21, 2004 for "Packaging for a Sink."

* cited by examiner

Fig. 1

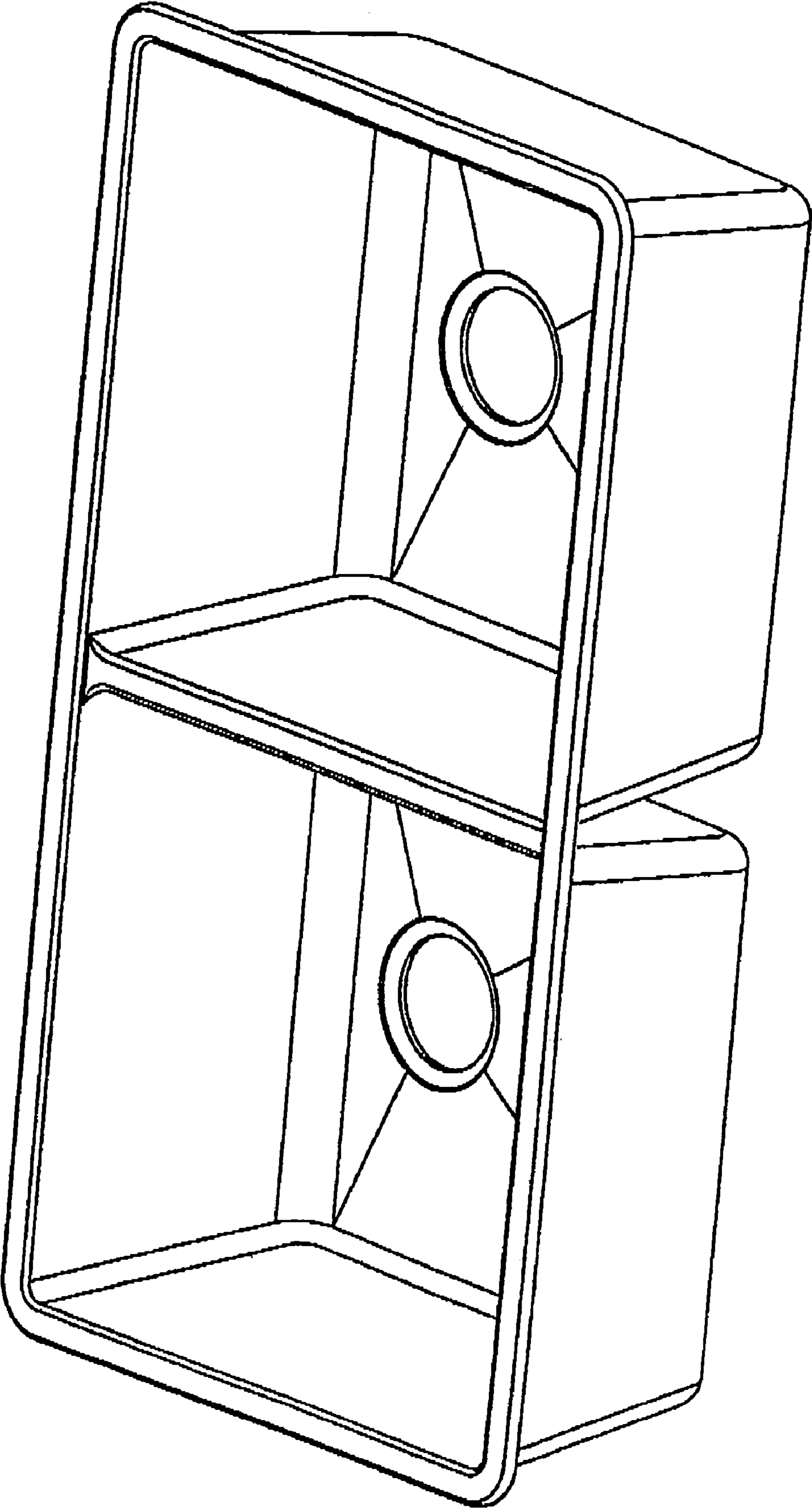


Fig. 2

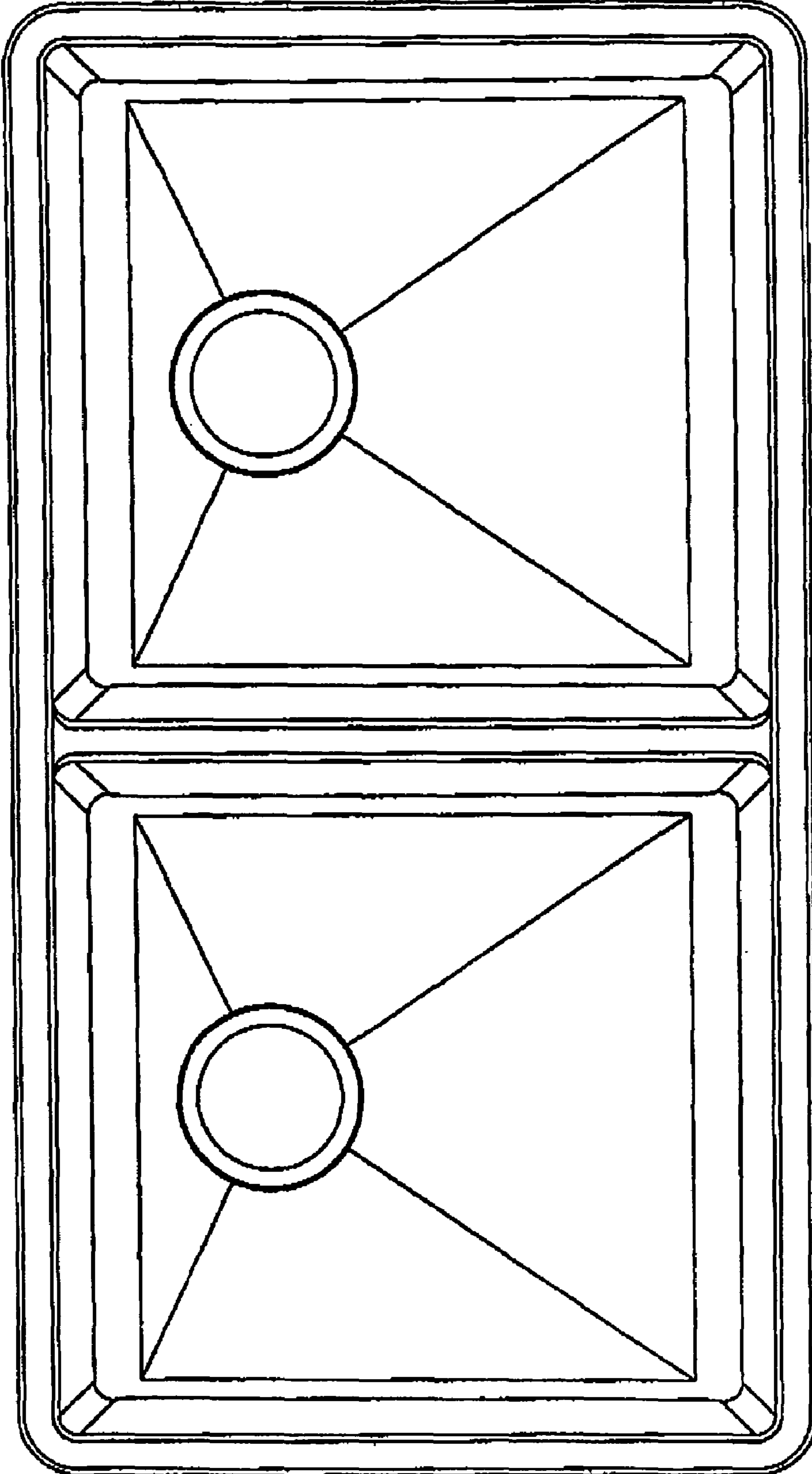


Fig. 3

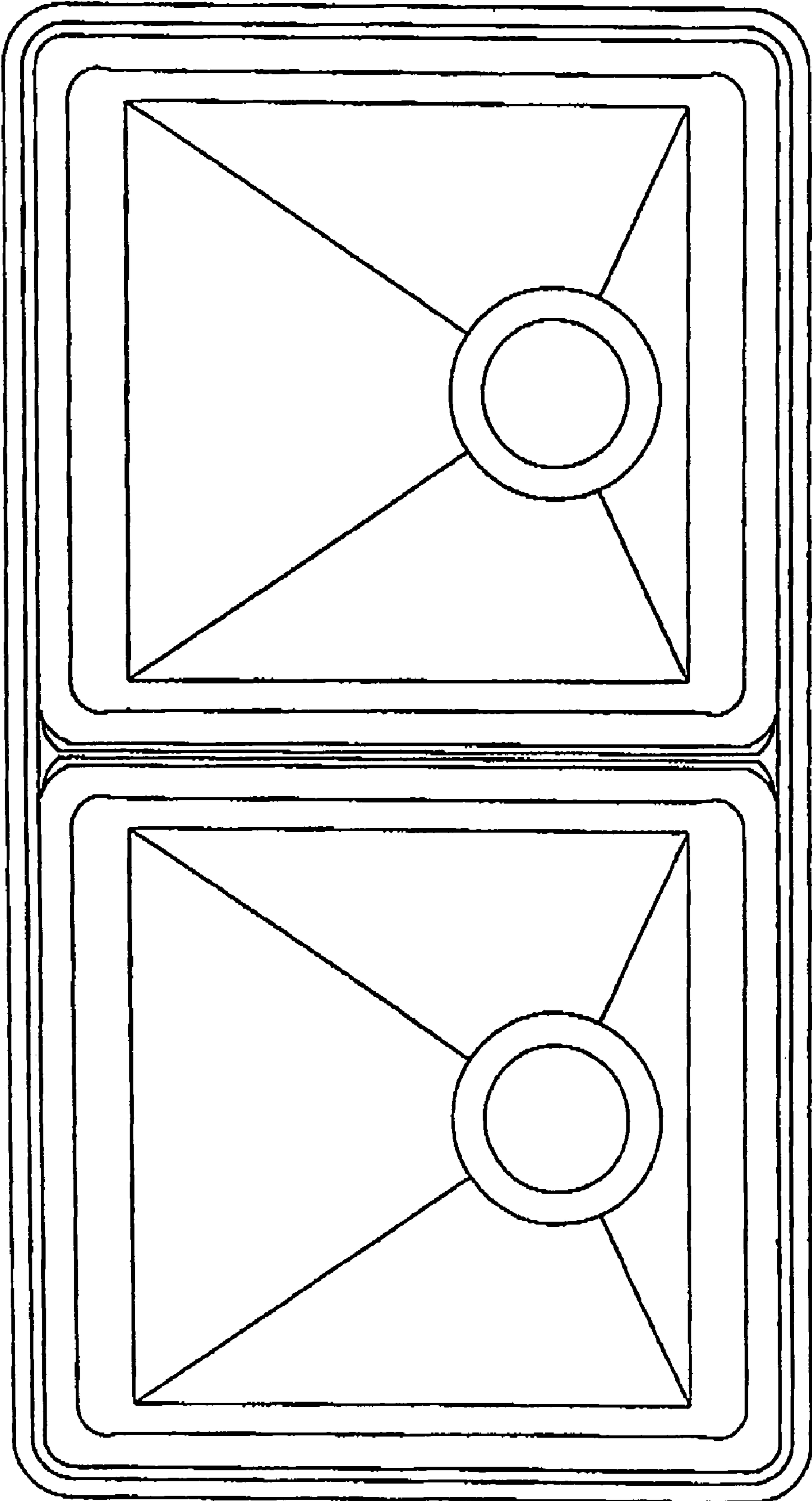


FIG. 4

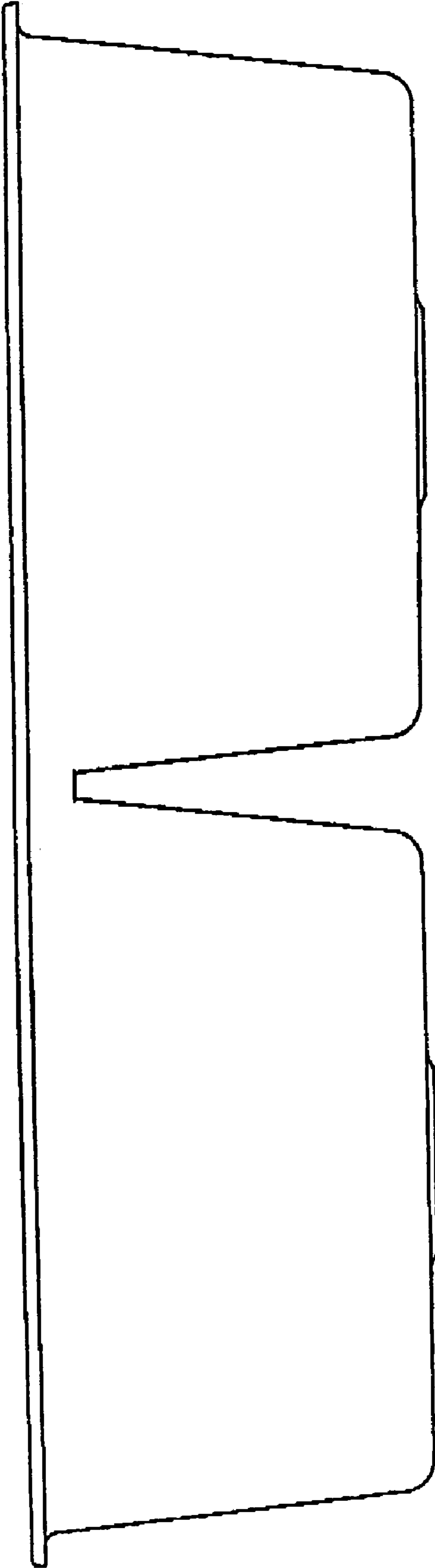


Fig. 5

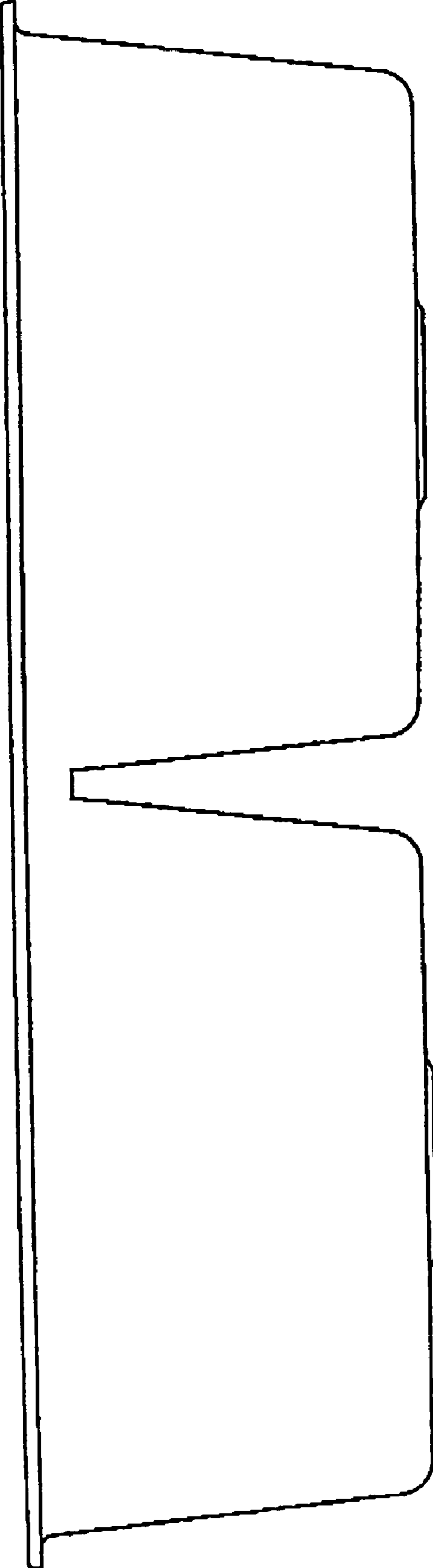


Fig. 6

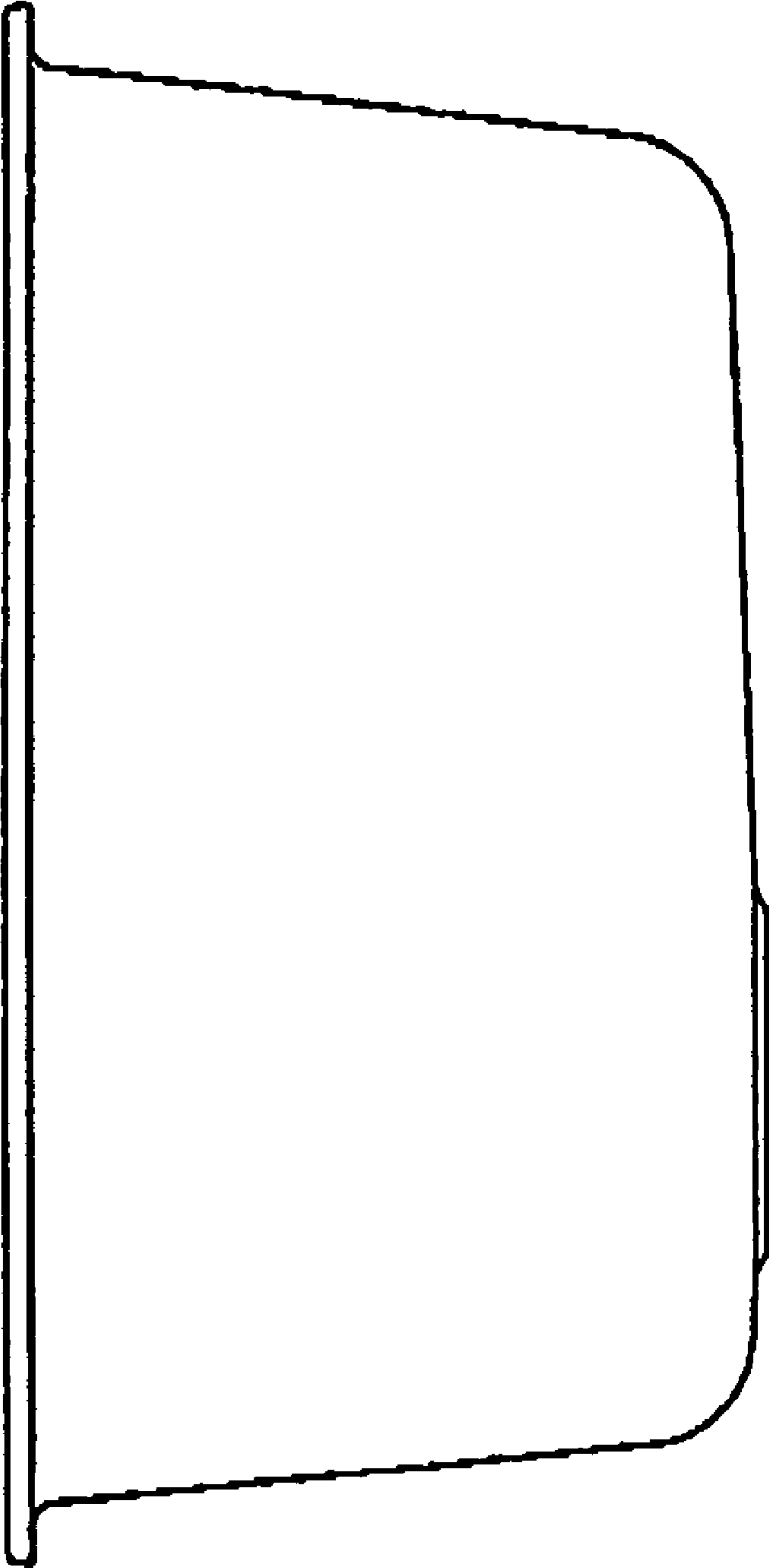


Fig. 7

