

US00D546922S

(12) **United States Design Patent**
Demmer et al.

(10) **Patent No.: US D546,922 S**
(45) **Date of Patent: ** Jul. 17, 2007**

(54) **MIXER TAP**
(75) Inventors: **Erik Demmer**, Munich (DE);
Christian Schaffler, Munich (DE)
(73) Assignee: **ARWA AG**, Wallisellen (CH)
(**) Term: **14 Years**

D481,445 S * 10/2003 Haug et al. D23/238
D510,612 S * 10/2005 Lammel et al. D23/241
D512,125 S * 11/2005 Kulig D23/238
D524,416 S * 7/2006 Haug et al. D23/238
D532,489 S * 11/2006 Aubry et al. D23/255
D533,630 S * 12/2006 Zetsche D23/238
D534,245 S * 12/2006 Egli et al. D23/238
D535,358 S * 1/2007 Demmer et al. D23/238

(21) Appl. No.: **29/232,195**
(22) Filed: **Jun. 16, 2005**

* cited by examiner

Primary Examiner—Philip S. Hyder
Assistant Examiner—Cynthia Underwood
(74) *Attorney, Agent, or Firm*—Sughrue Mion, PLLC

(30) **Foreign Application Priority Data**

Dec. 16, 2004 (CH) 131345
Dec. 23, 2004 (CH) 131391

(57) **CLAIM**

The ornamental design for a mixer tap, as shown and described.

(51) **LOC (8) Cl.** **07-01**
(52) **U.S. Cl.** **D23/238; D7/398**
(58) **Field of Classification Search** D7/306–308,
D7/313, 387, 392, 392.1, 395–398; D23/207,
D23/213, 215, 216, 220, 233, 249, 252, 255,
D23/238, 242, 262, 270, 566, 567, 571, 572;
222/566, 478, 481

DESCRIPTION

FIG. 1 is a perspective view of the top, front and right side of a mixer tap showing of our new design;
FIG. 2 is a front elevational view thereof;
FIG. 3 is a rear elevational view thereof;
FIG. 4 is a right side elevational view thereof;
FIG. 5 is a left side elevational view thereof;
FIG. 6 is a top plan view thereof; and,
FIG. 7 is a bottom plan view thereof.

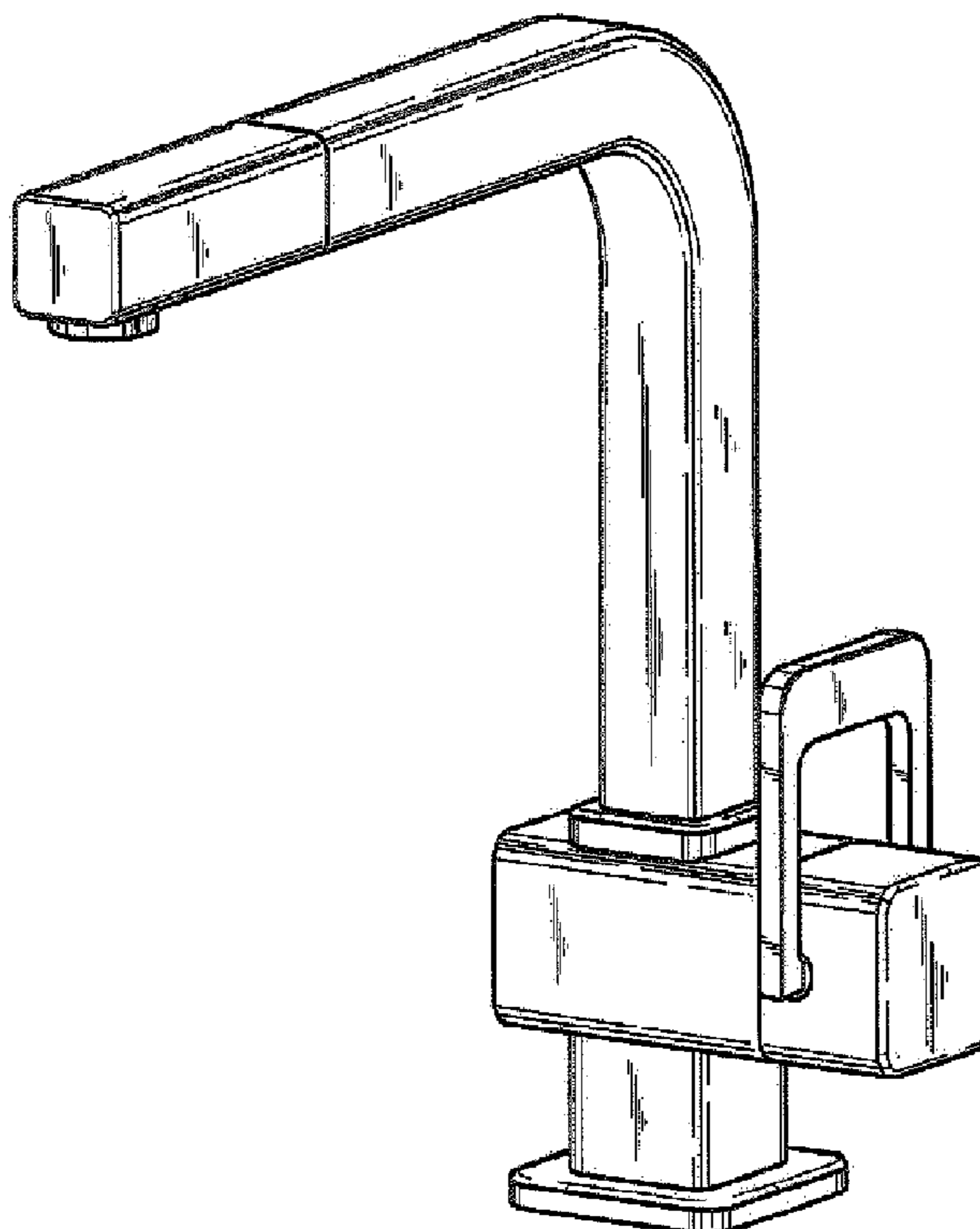
See application file for complete search history.

(56) **References Cited**

U.S. PATENT DOCUMENTS

D267,110 S * 11/1982 Arnolds D23/242
D407,260 S * 3/1999 Martindale D7/306
D478,966 S * 8/2003 Citterio D23/238
D479,740 S * 9/2003 Citterio D23/242

1 Claim, 4 Drawing Sheets



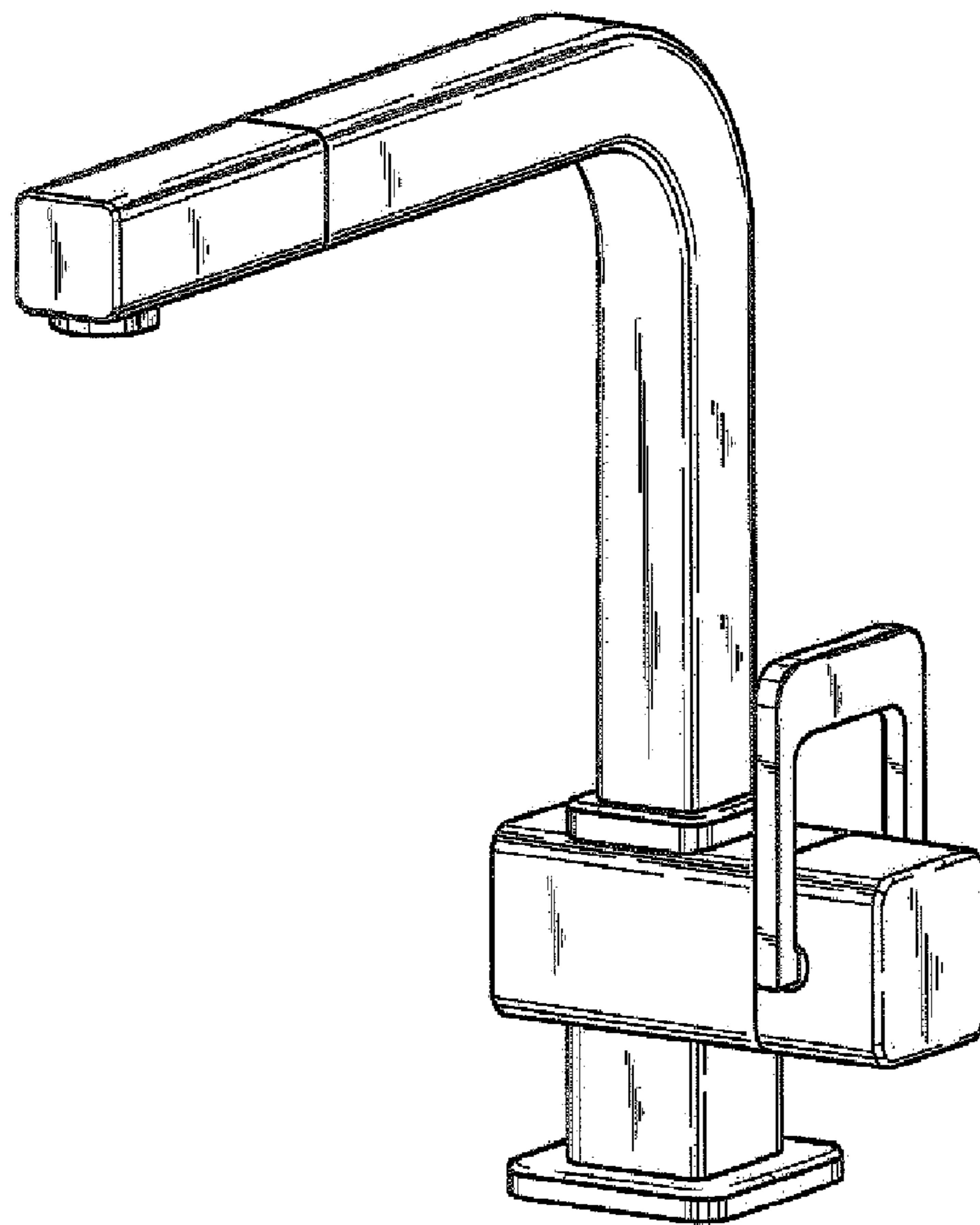


Fig. 1

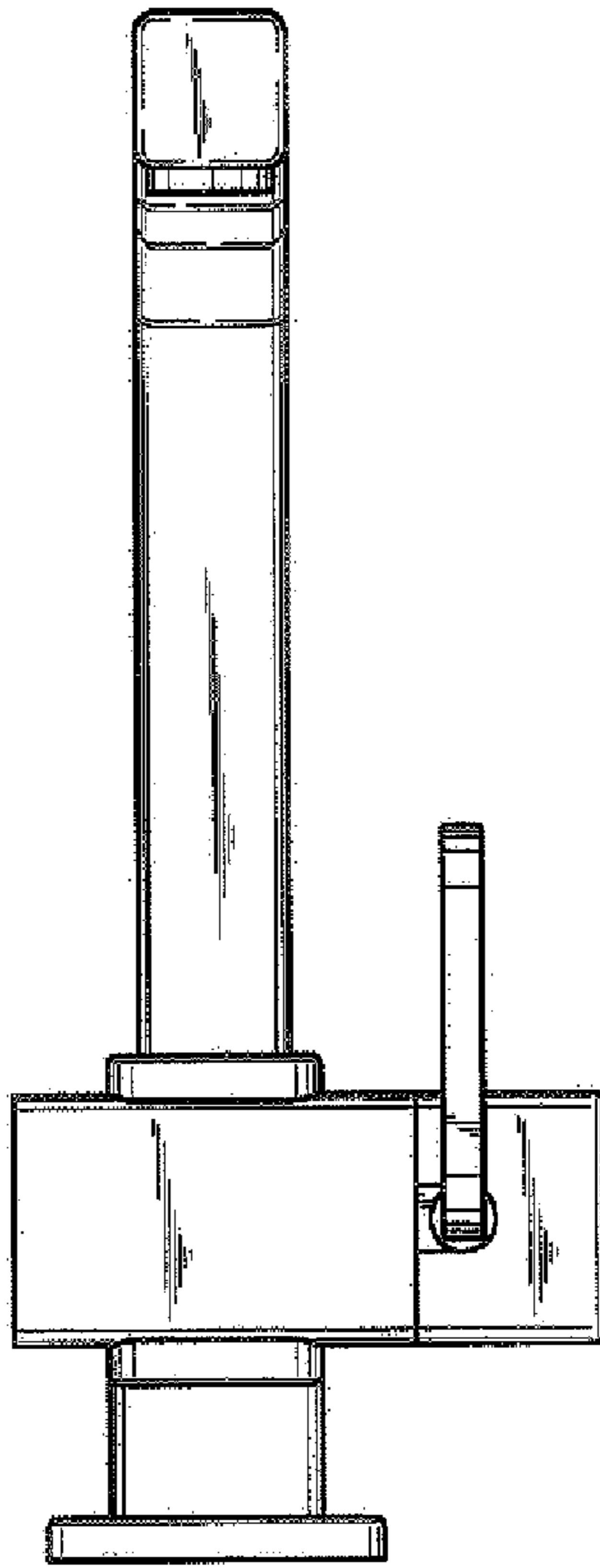


Fig. 2

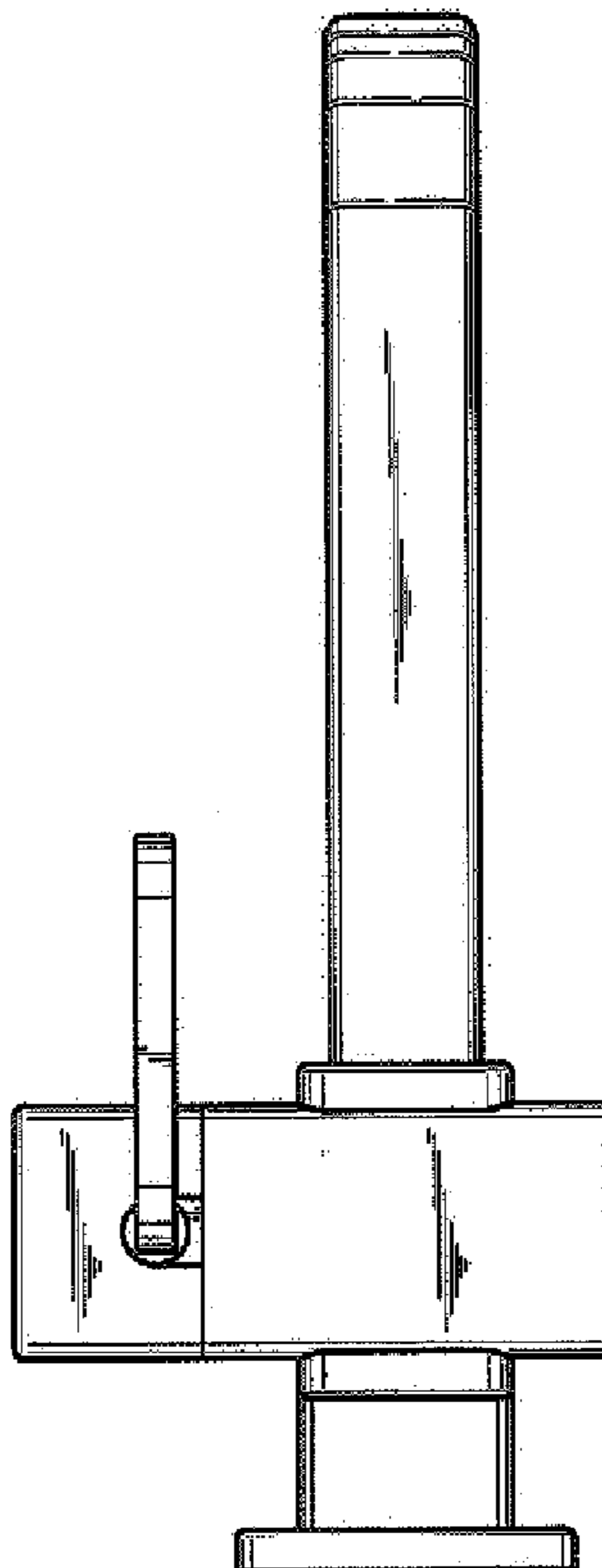


Fig. 3

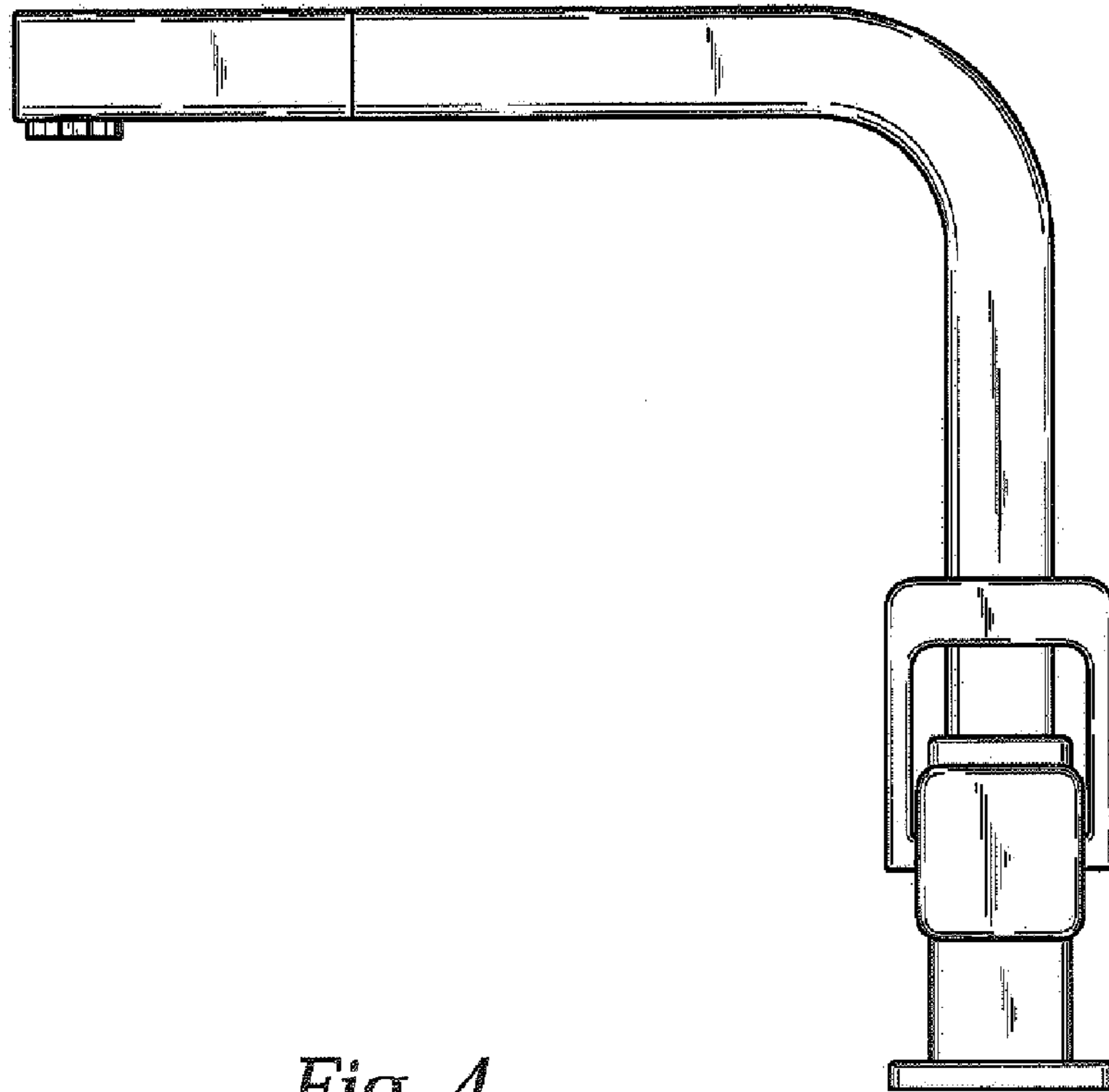


Fig. 4

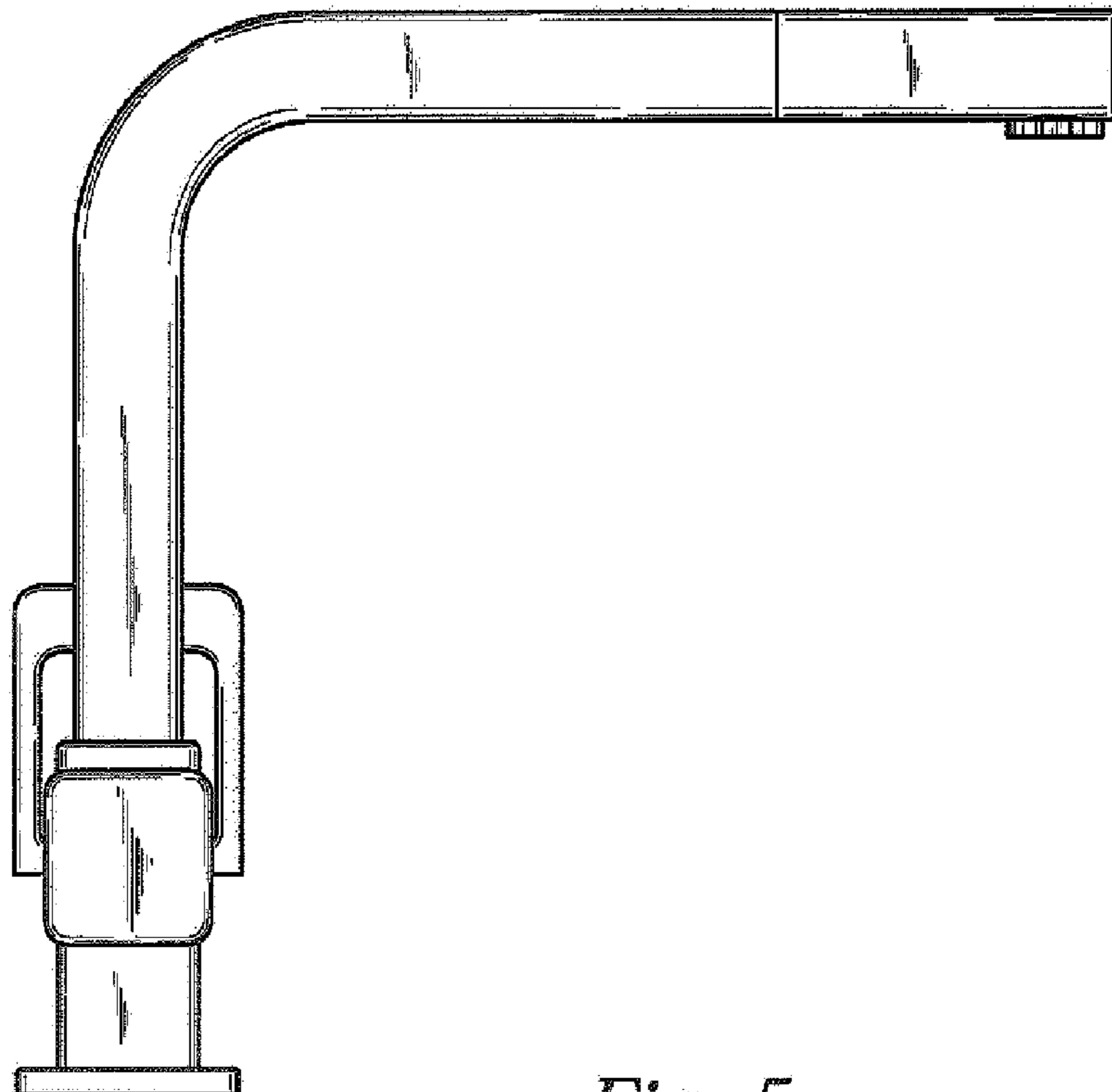


Fig. 5

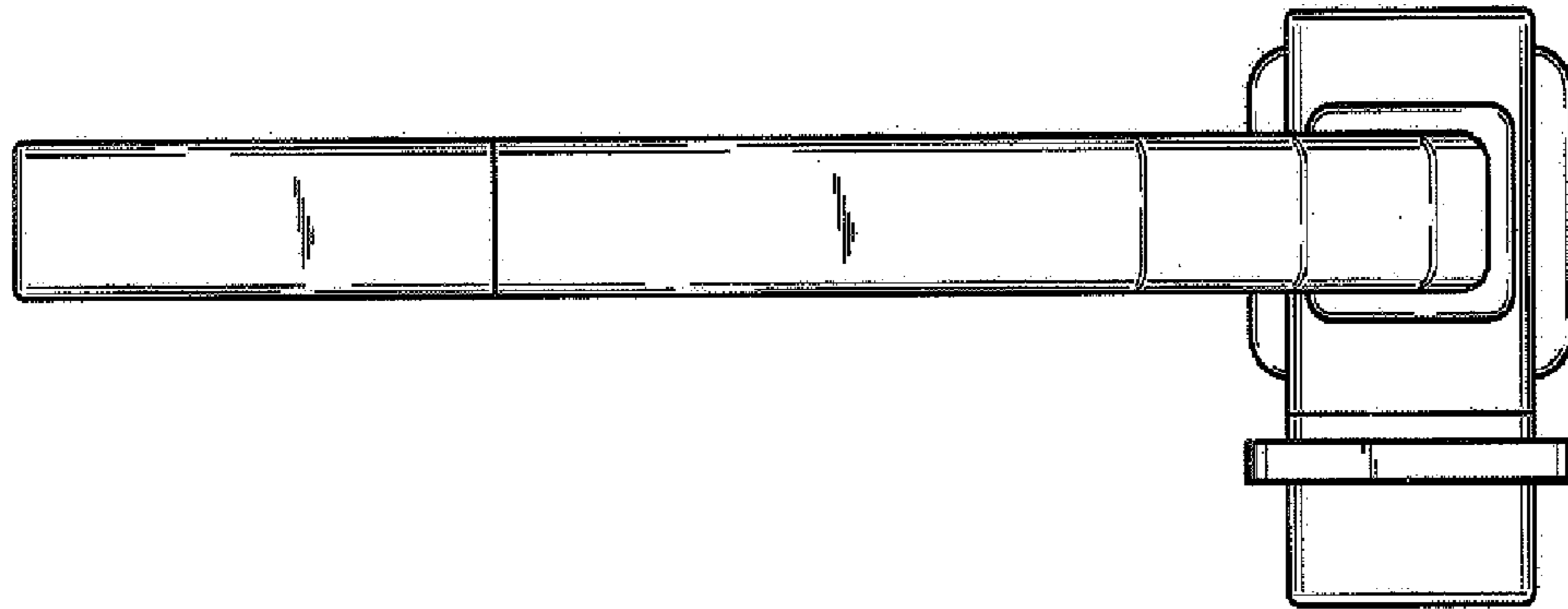


Fig. 6

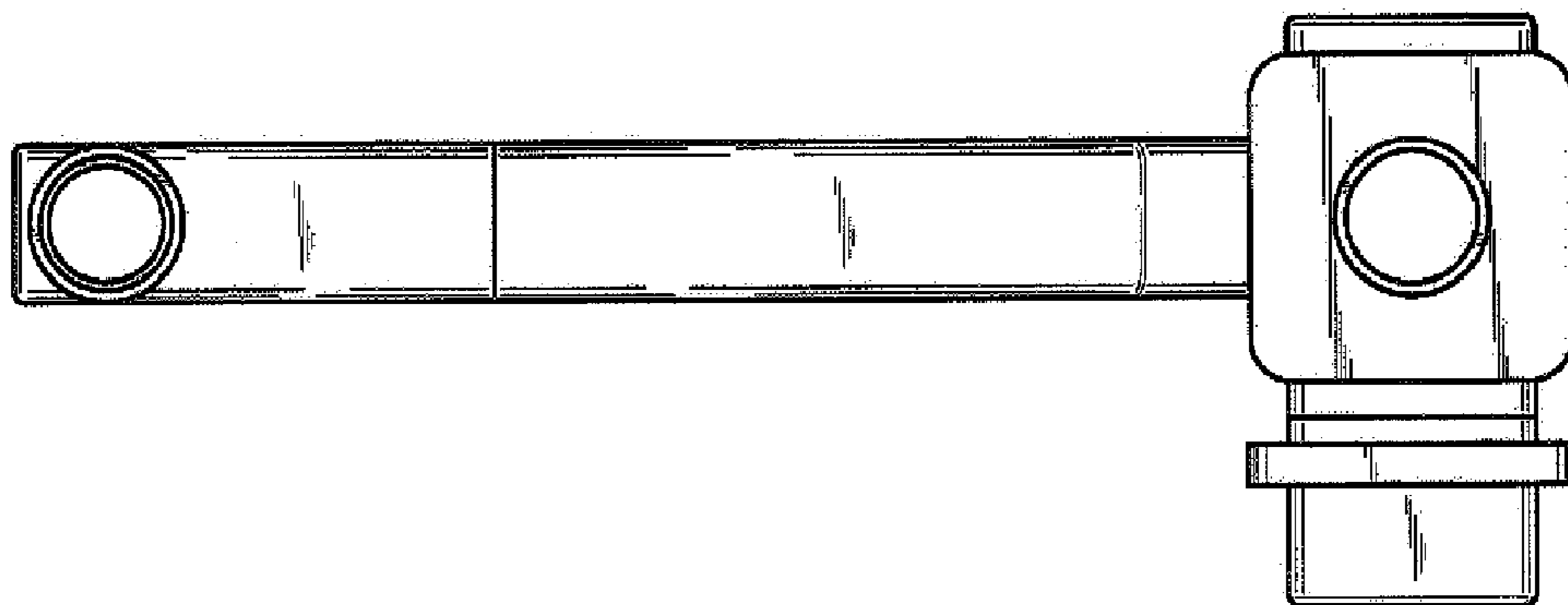


Fig. 7