



US00D546921S

(12) **United States Design Patent**
Kobayashi et al.

(10) **Patent No.:** **US D546,921 S**

(45) **Date of Patent:** **** Jul. 17, 2007**

(54) **EXPANSION VALVE**

(75) Inventors: **Kazuto Kobayashi**, Tokyo (JP);
Toshimichi Kureha, Tokyo (JP)

(73) Assignee: **Fujikoki Corporation**, Tokyo (JP)

(**) Term: **14 Years**

(21) Appl. No.: **29/259,317**

(22) Filed: **May 8, 2006**

(30) **Foreign Application Priority Data**

Nov. 30, 2005 (JP) 2005-035296

(51) **LOC (8) Cl.** **23-01**

(52) **U.S. Cl.** **D23/233**

(58) **Field of Classification Search** D23/233-237,
D23/244-249; 62/222-225, 197, 115, 504,
62/527, 210; 137/625.48; 251/14, 64; 236/63-64,
236/66, 92 B; 285/189, 208, 211, 368
See application file for complete search history.

(56) **References Cited**

U.S. PATENT DOCUMENTS

4,468,054 A * 8/1984 Orth 285/124.3
D494,657 S * 8/2004 Kobayashi et al. D23/233
D494,658 S * 8/2004 Kobayashi et al. D23/233

D502,252 S * 2/2005 Fukuda et al. D23/233
D504,714 S * 5/2005 Fukuda et al. D23/233
D529,990 S * 10/2006 Kobayashi et al. D23/233
D532,080 S * 11/2006 Kobayashi et al. D23/233

* cited by examiner

Primary Examiner—Ian Simmons

Assistant Examiner—Maurice Stevens

(74) *Attorney, Agent, or Firm*—Westerman, Hattori, Daniels
& Adrian, LLP.

(57) **CLAIM**

The ornamental design for an expansion valve, as shown and described.

DESCRIPTION

FIG. 1 is a perspective view of the expansion valve of the present invention.

FIG. 2 is a front view thereof.

FIG. 3 is a rear view thereof.

FIG. 4 is a plan view thereof.

FIG. 5 is a bottom view thereof.

FIG. 6 is a left side view thereof; and,

FIG. 7 is a right side view thereof.

1 Claim, 4 Drawing Sheets

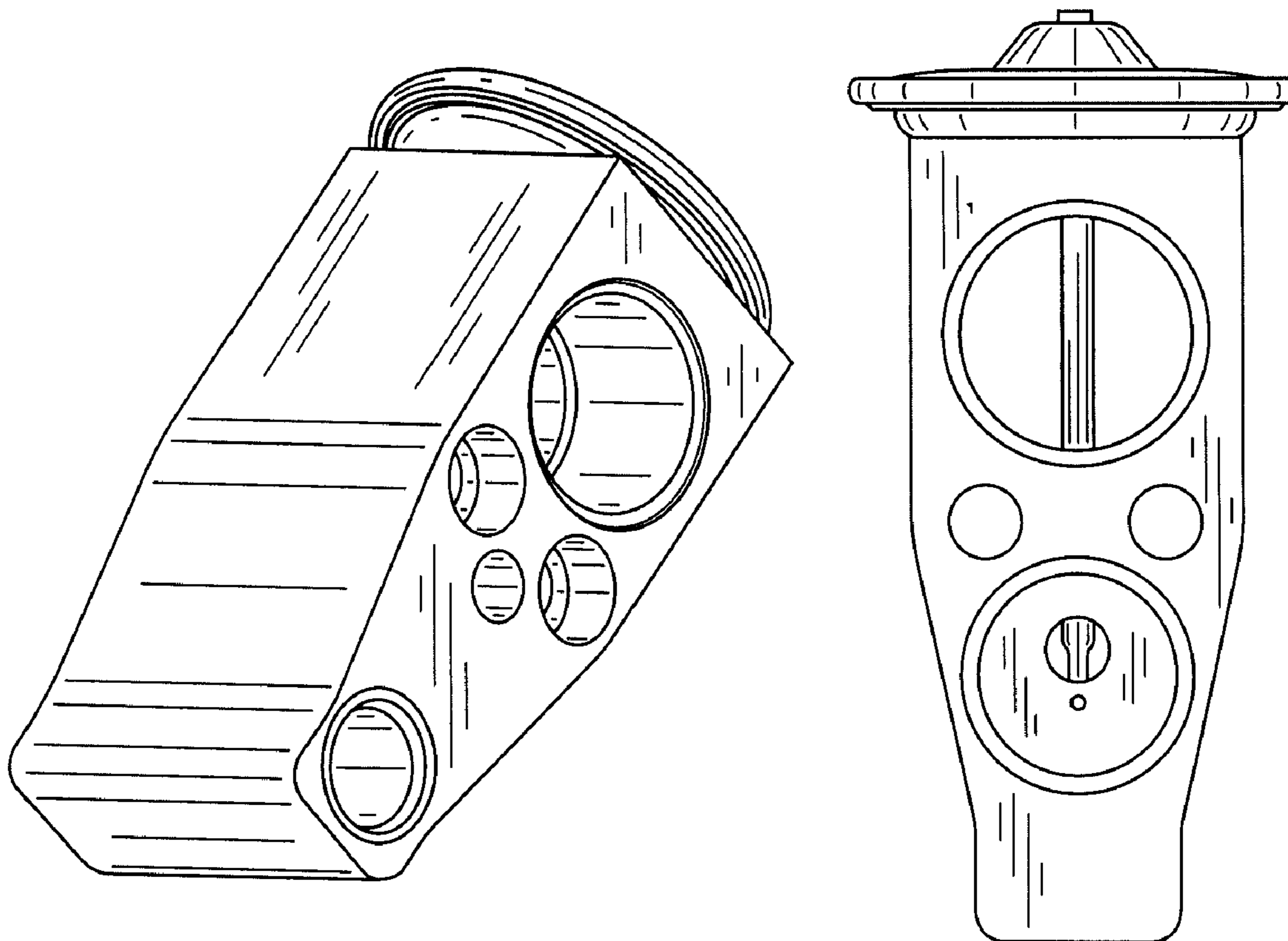


Fig.1

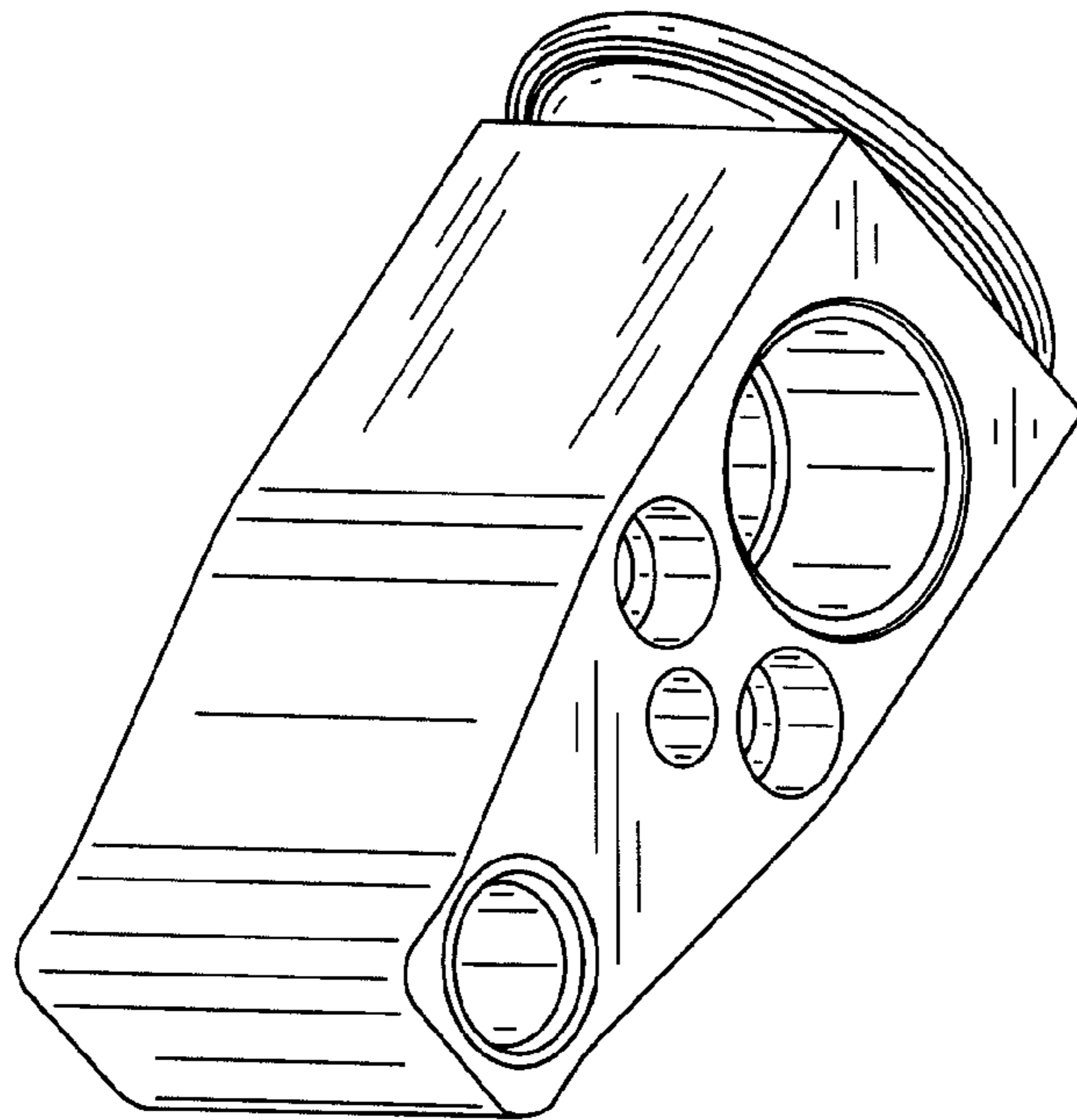


Fig.2

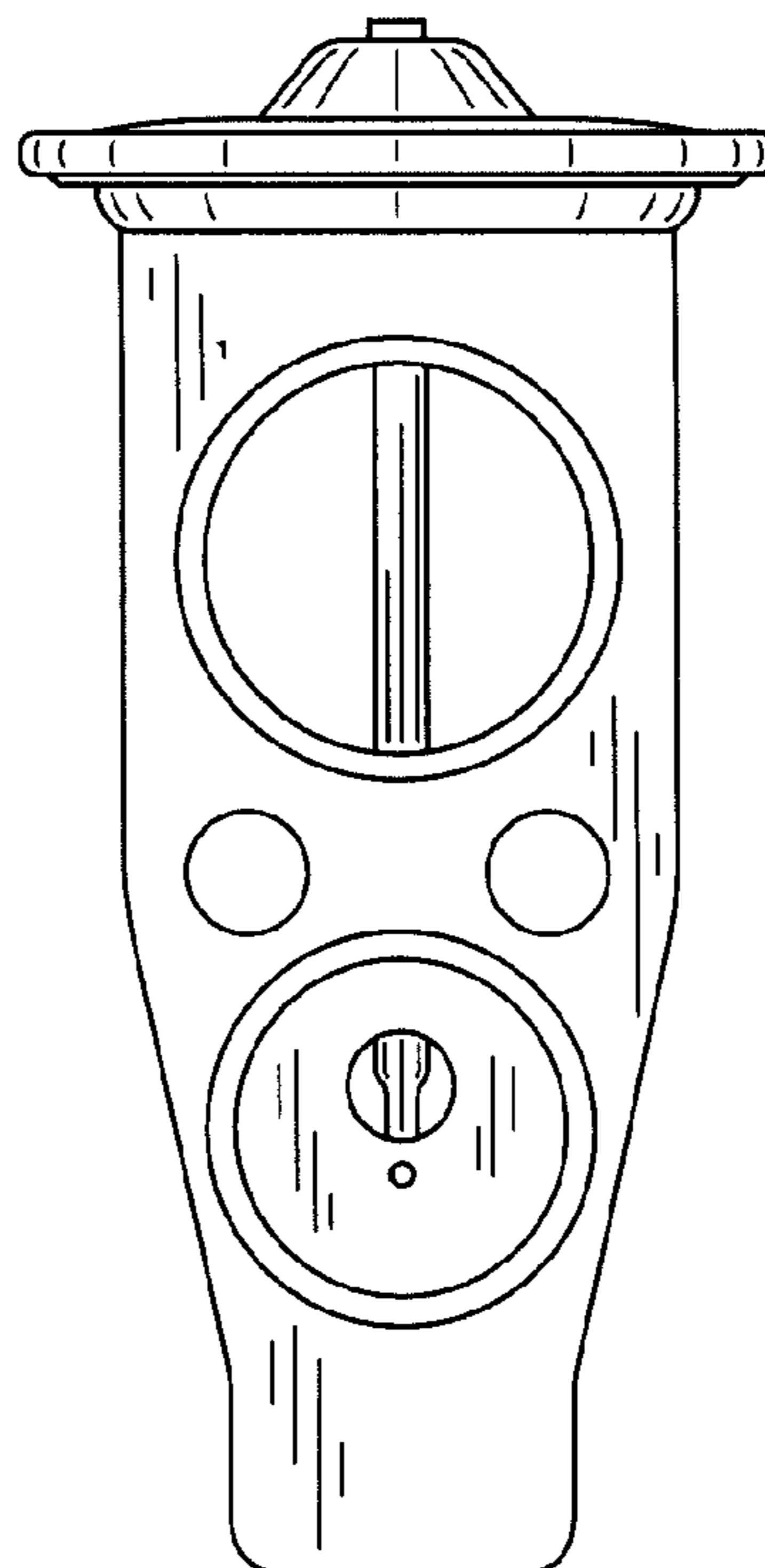


Fig.3

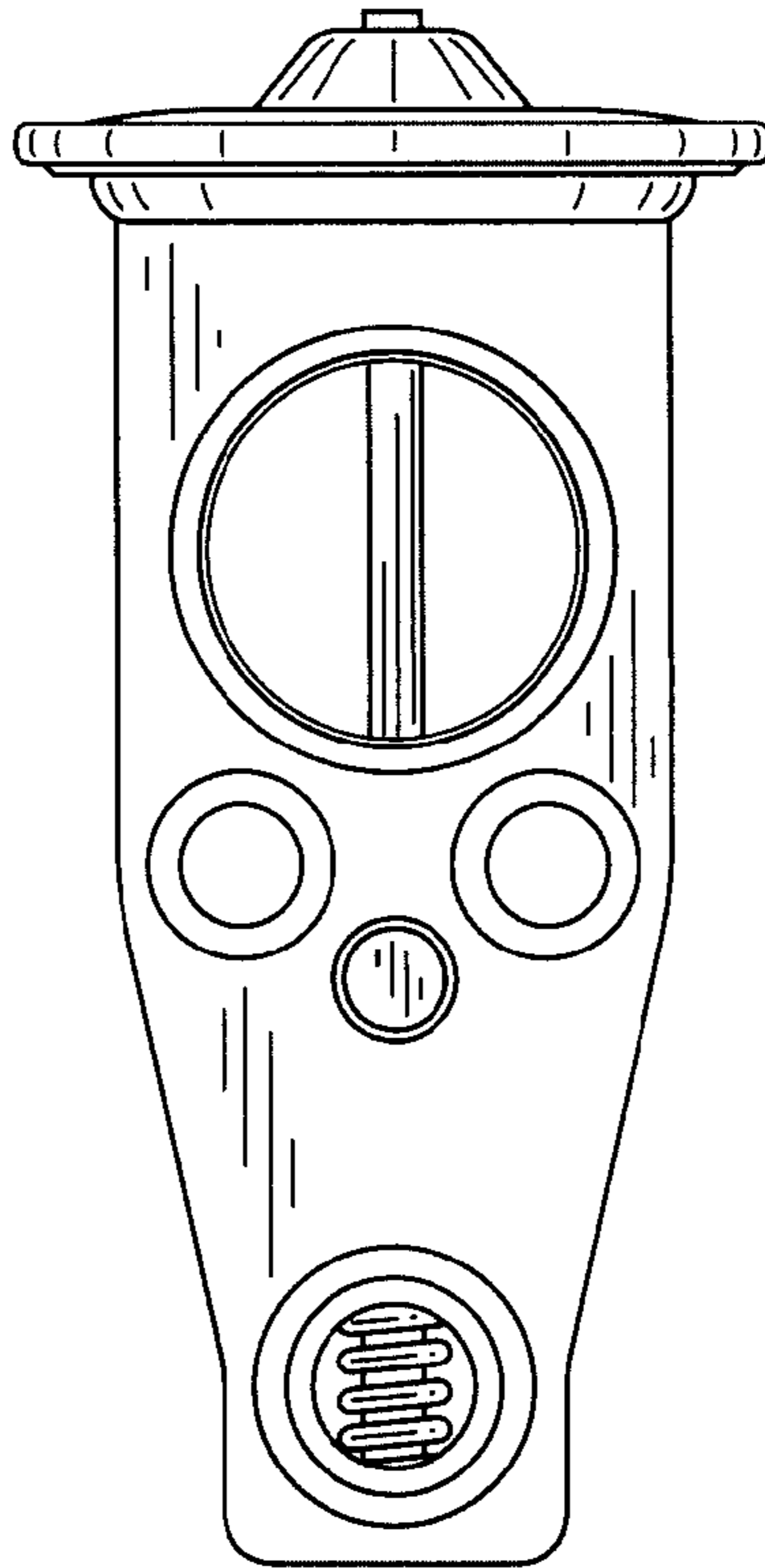


Fig.4

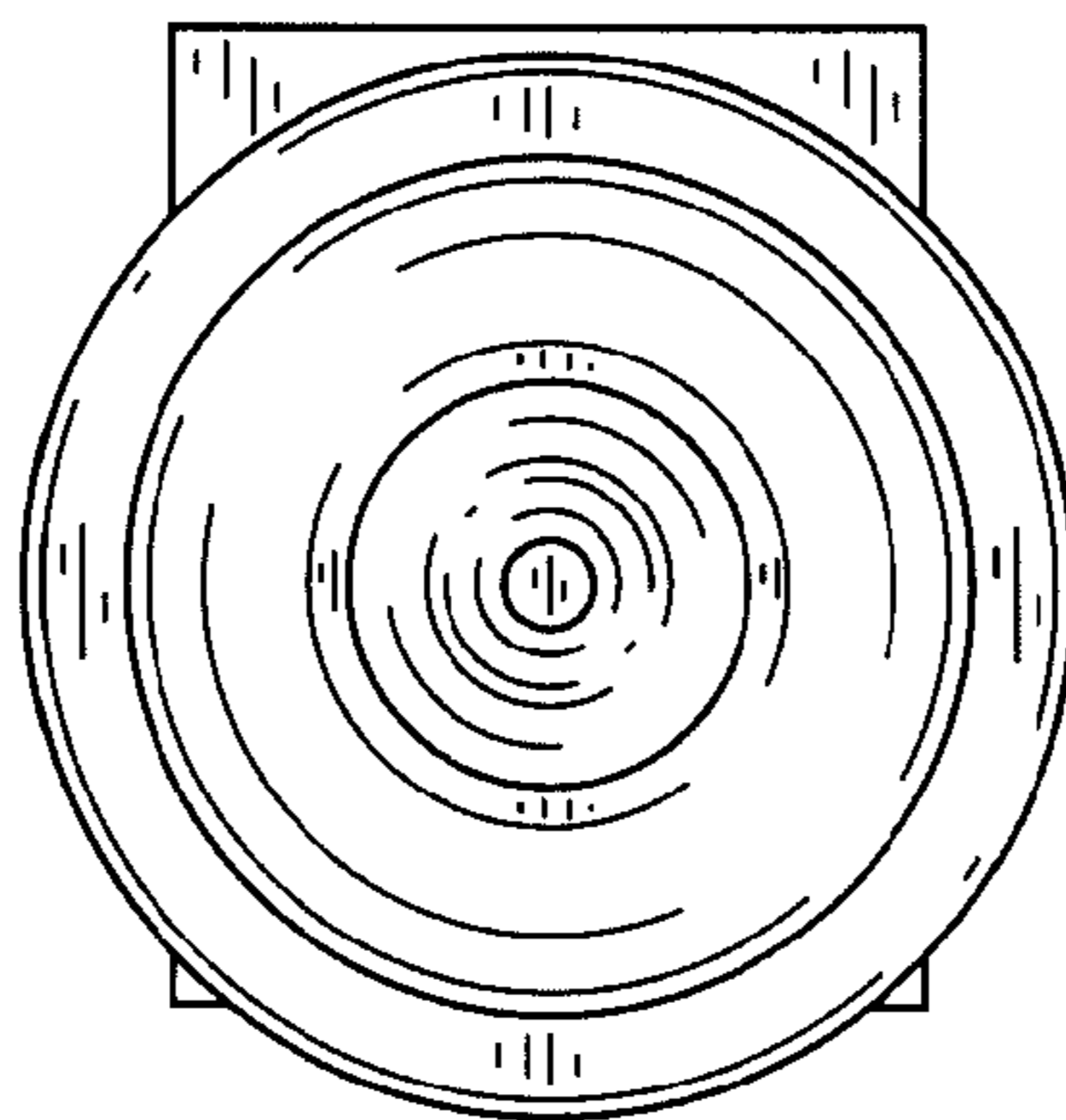


FIG.5

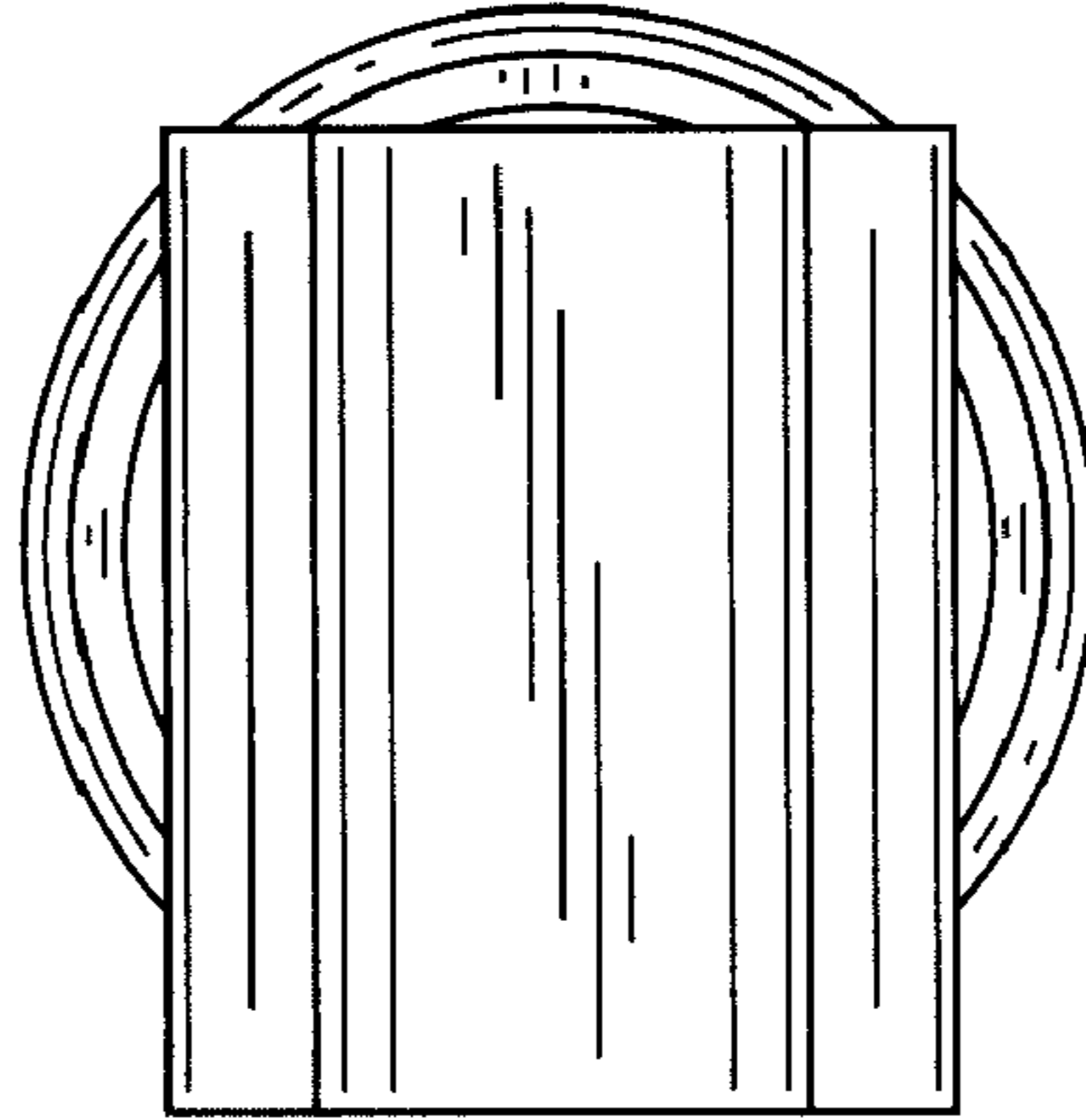


FIG.6

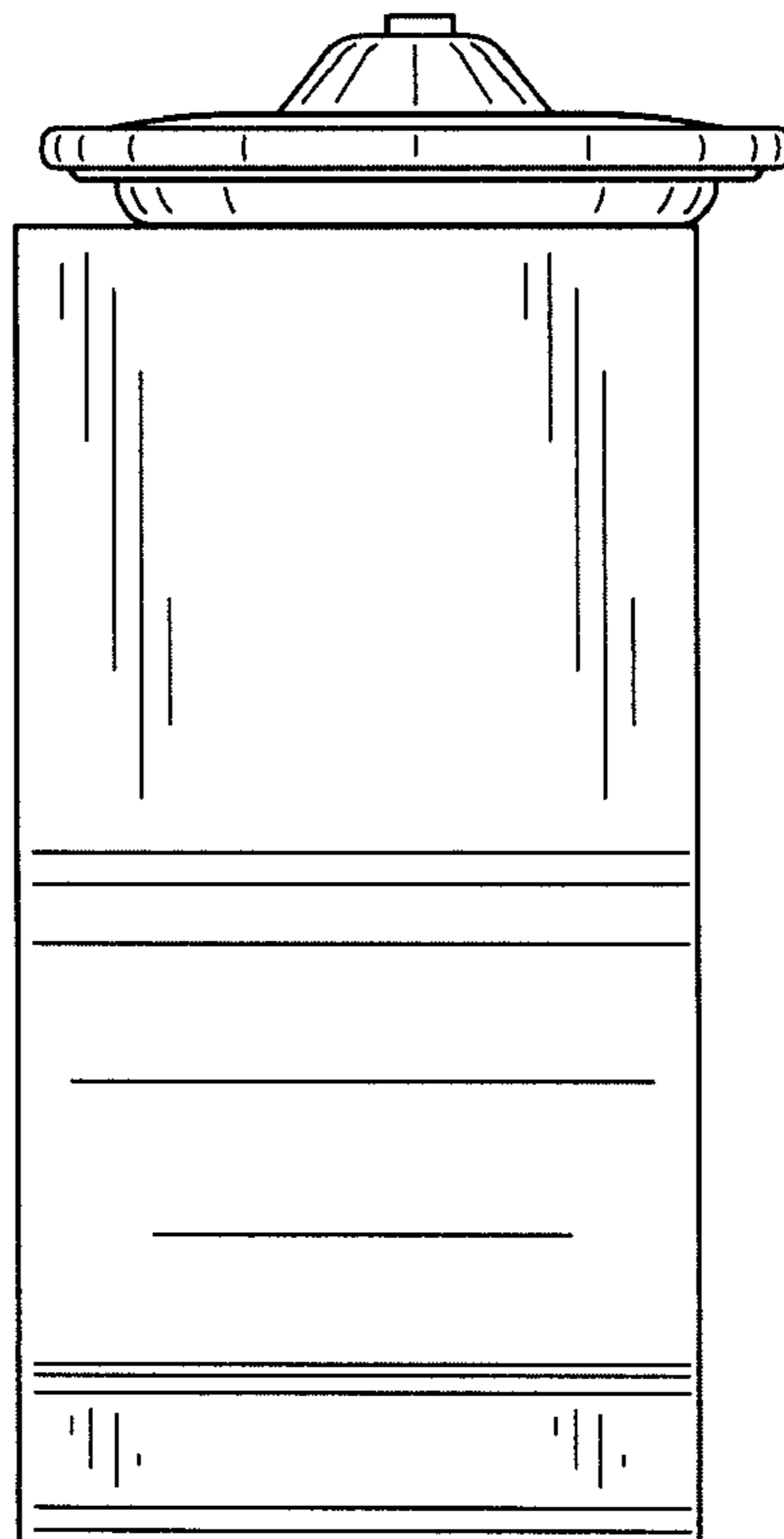


Fig.7

