

US00D546920S

(12) **United States Design Patent**
Fulkerson

(10) **Patent No.:** **US D546,920 S**

(45) **Date of Patent:** **** Jul. 17, 2007**

(54) **VALVE**

(75) Inventor: **Terrence M. Fulkerson**, Brunswick Hills, OH (US)

(73) Assignee: **Nordson Corporation**, Westlake, OH (US)

(**) Term: **14 Years**

(21) Appl. No.: **29/230,971**

(22) Filed: **May 27, 2005**

(51) **LOC (8) Cl.** **23-01**

(52) **U.S. Cl.** **D23/233**

(58) **Field of Classification Search** D23/233–237, D23/244–249; D7/398; D34/39; 239/337, 239/349, 353, 569; 118/308, 300; 137/209; D3/23, 24

See application file for complete search history.

(56) **References Cited**

U.S. PATENT DOCUMENTS

D94,288 S *	1/1935	Teahen	D23/247
D276,299 S *	11/1984	Reardon	D23/245
D318,412 S *	7/1991	Williams	D8/356
D348,922 S *	7/1994	Thrasher et al.	D23/233
D368,299 S *	3/1996	Ratledge	D23/235
D424,167 S *	5/2000	Yuen et al.	D23/233
6,179,221 B1 *	1/2001	Goldberg et al.	239/106
D443,811 S *	6/2001	Tisbo	D8/356
6,619,563 B2 *	9/2003	van der Steur	239/125
6,705,545 B1 *	3/2004	Sroka et al.	239/112
D504,307 S *	4/2005	Dayan	D8/358

D504,806 S *	5/2005	Basaran et al.	D8/358
D508,199 S *	8/2005	Winig et al.	D8/356
2002/0139301 A1 *	10/2002	Attinoto et al.	118/308

* cited by examiner

Primary Examiner—Alan P. Douglas

Assistant Examiner—Maurice Stevens

(74) *Attorney, Agent, or Firm*—Calfee, Halter & Griswold, LLP

(57) **CLAIM**

The ornamental design for a valve, as shown and described.

DESCRIPTION

FIG. 1 is a perspective view of a first embodiment of a valve of the new design;

FIG. 2 is a top plan view of the valve of FIG. 1;

FIG. 3 is a bottom plan view of the valve of FIG. 1;

FIG. 4 is a front elevational view of the valve of FIG. 1, the rear and side elevational views being a mirror image thereof;

FIG. 5 is a perspective view of a second embodiment of a valve of the new design;

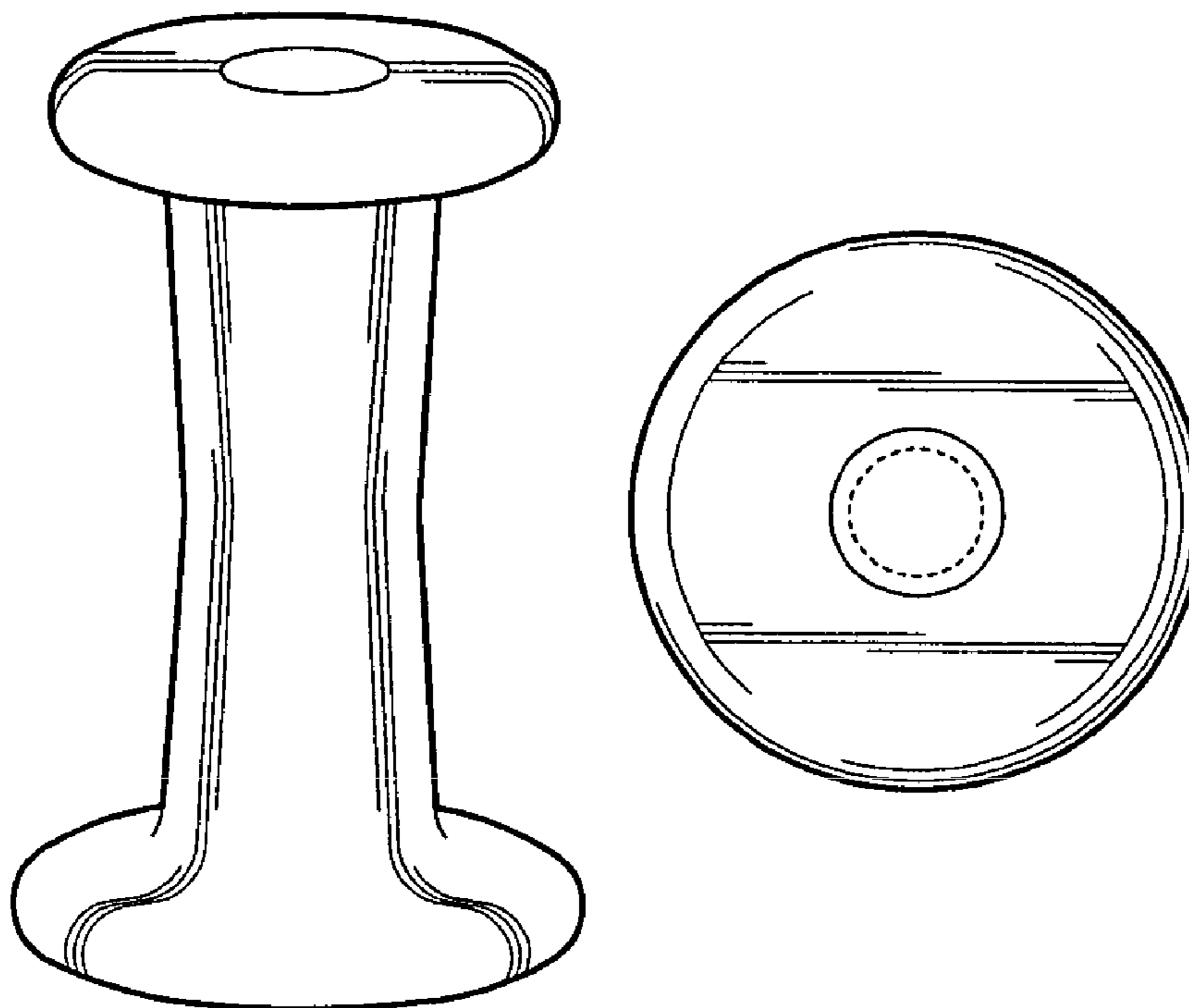
FIG. 6 is a top plan view of the valve of FIG. 5;

FIG. 7 is a bottom plan view of the valve of FIG. 5; and,

FIG. 8 is a front elevational view of the valve of FIG. 5, the rear and side elevational views being a mirror image thereof.

The portions of the Figures shown in broken lines are not part of the claimed design and are for illustration only.

1 Claim, 2 Drawing Sheets



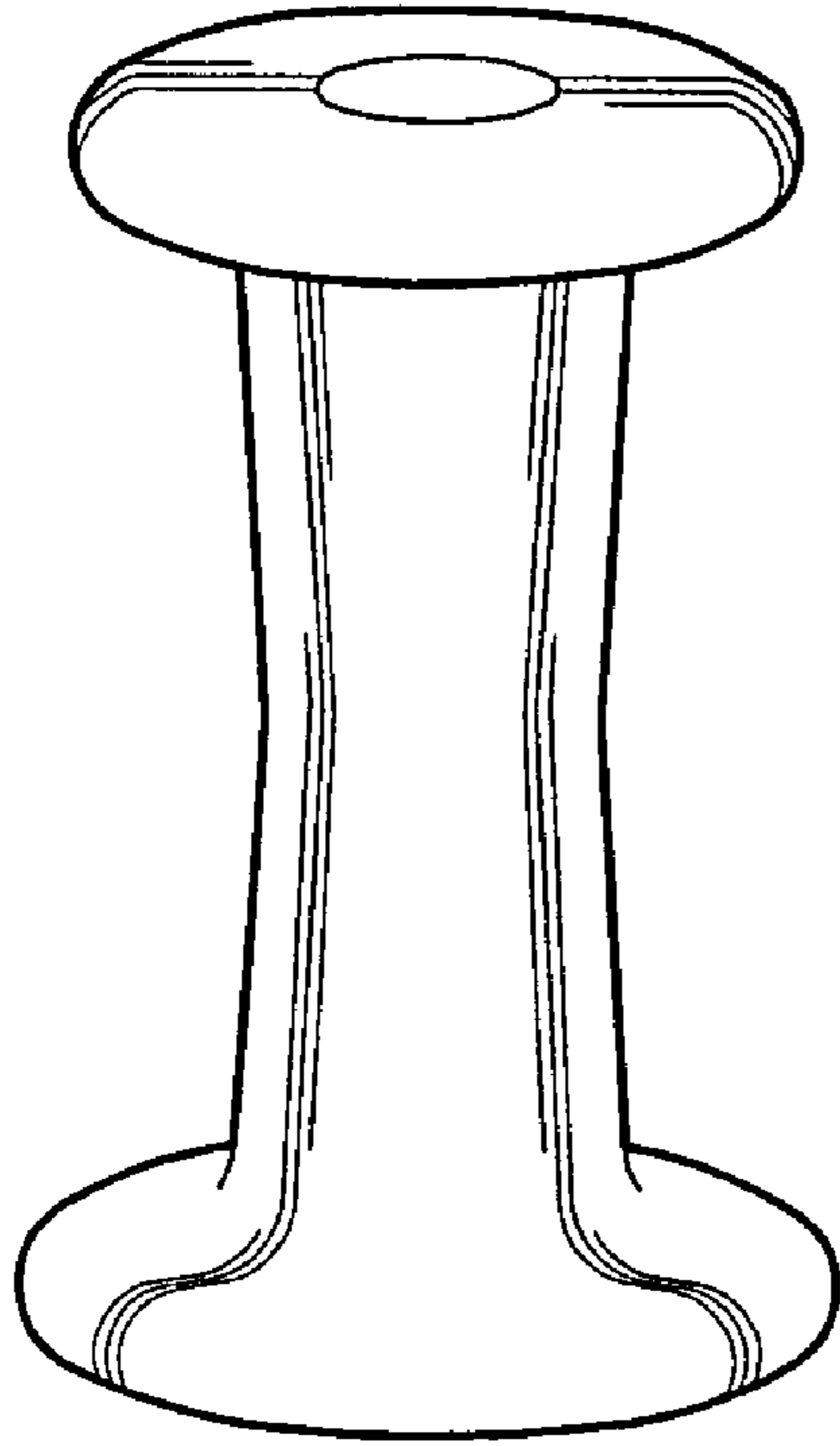


FIG. 1

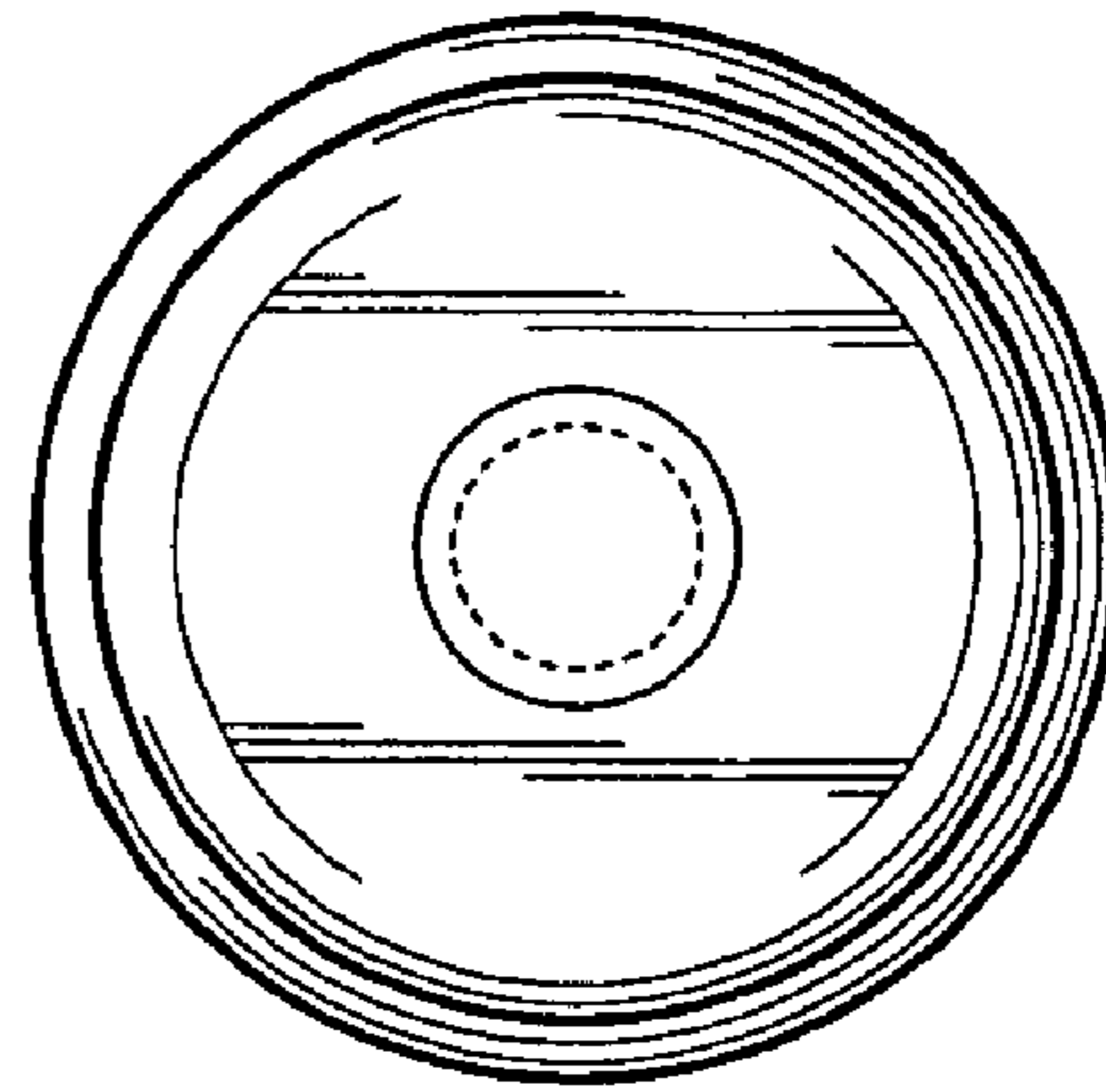


FIG. 2

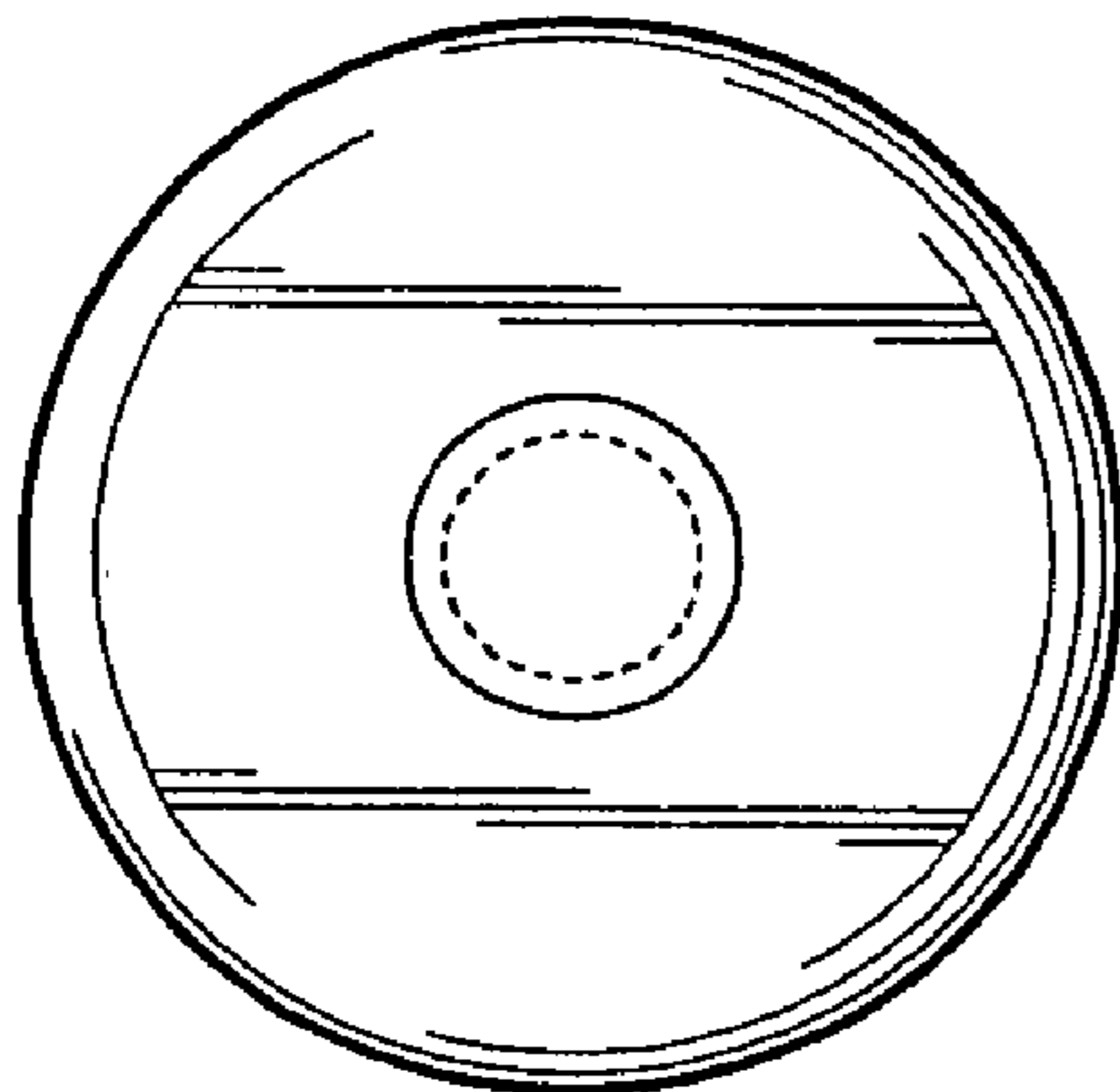


FIG. 3

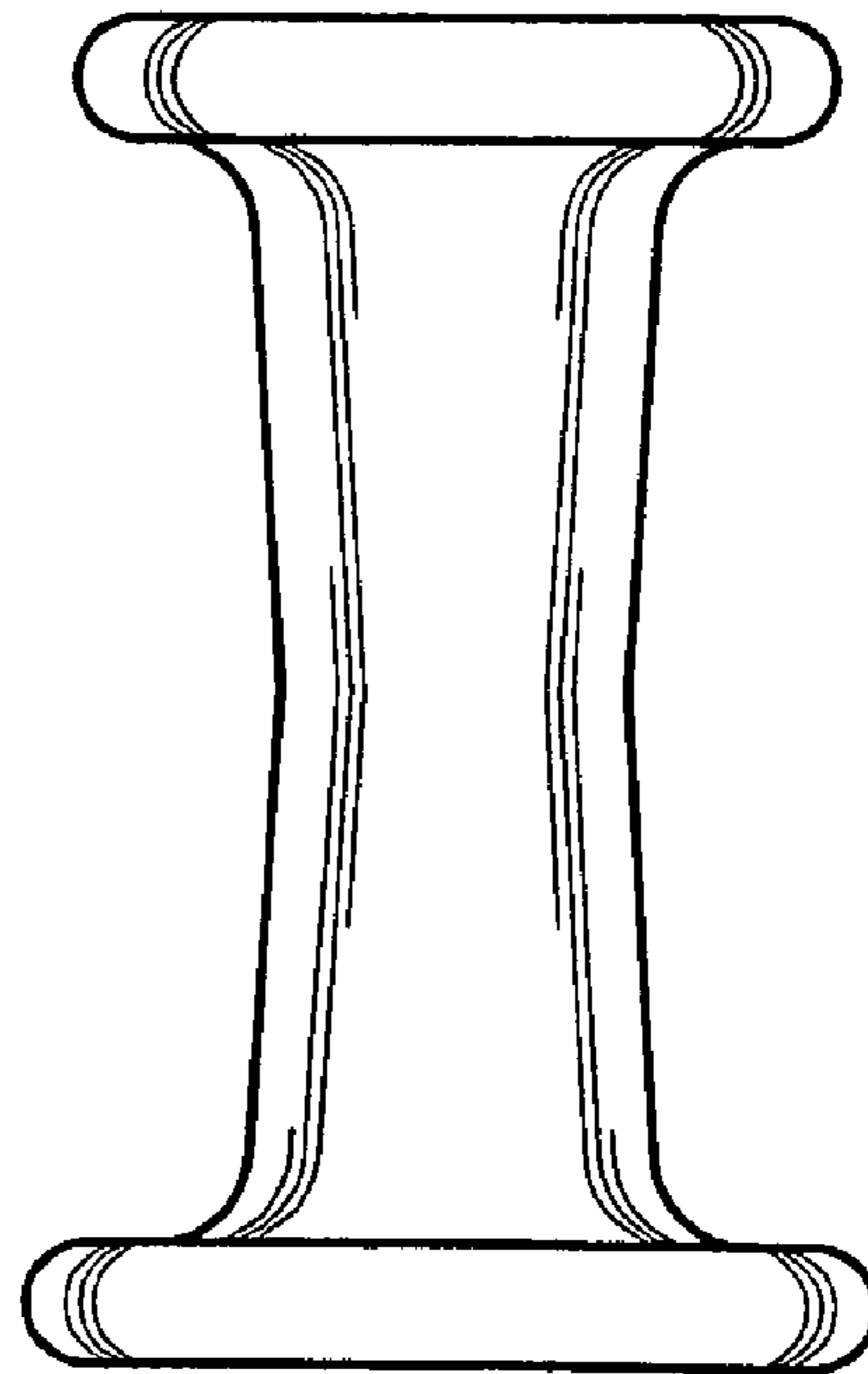


FIG. 4

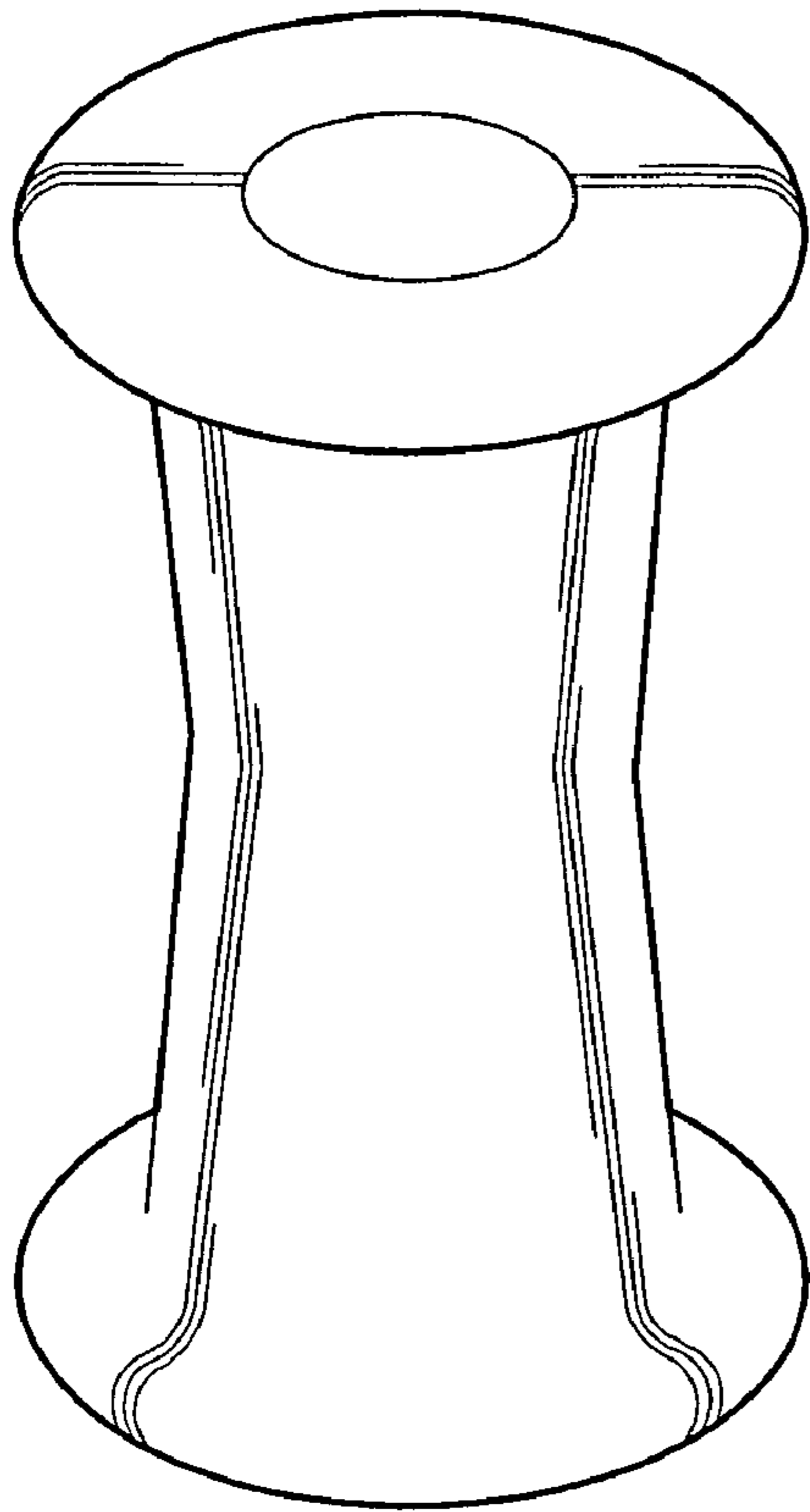


FIG. 5

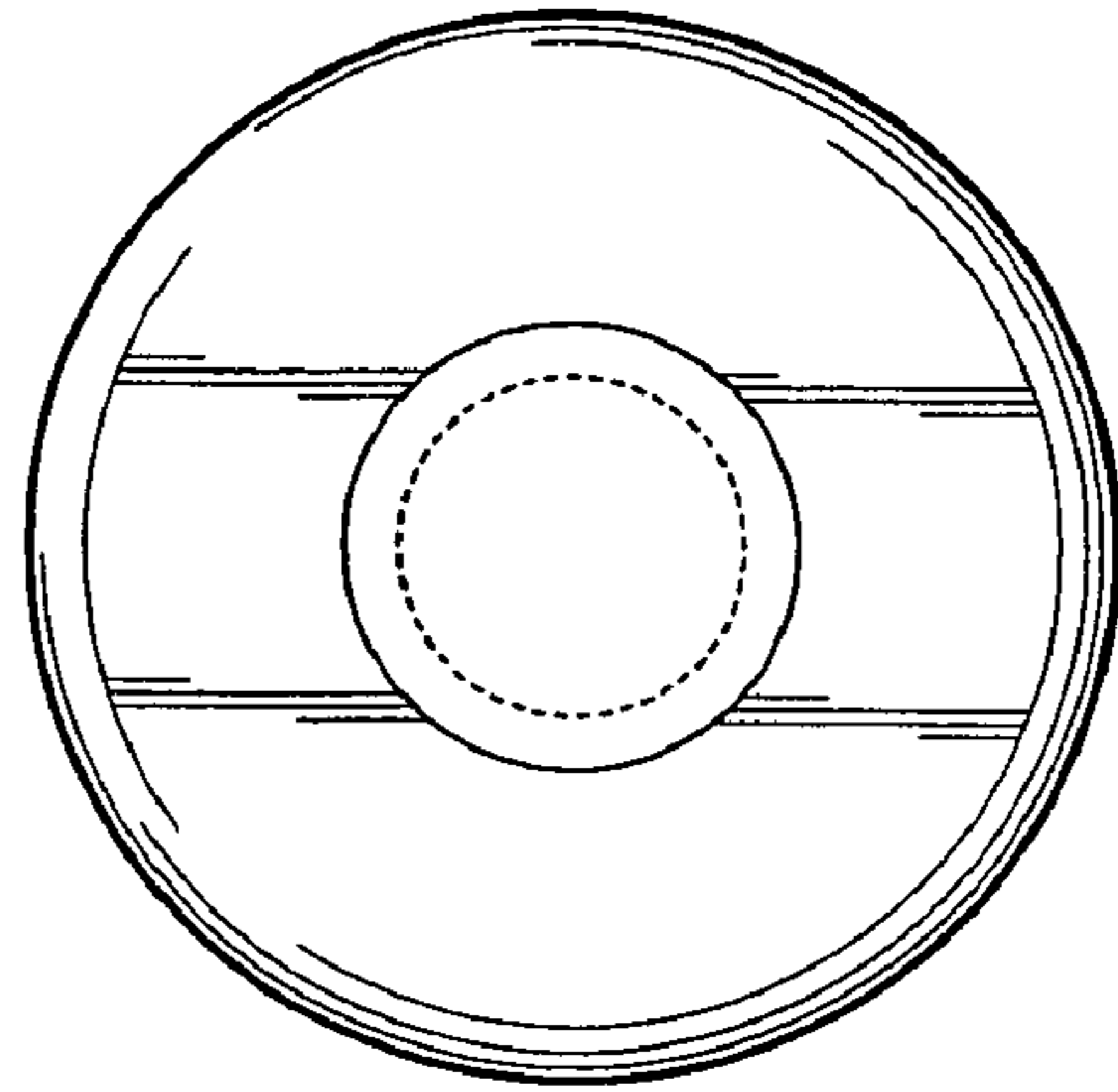


FIG. 6

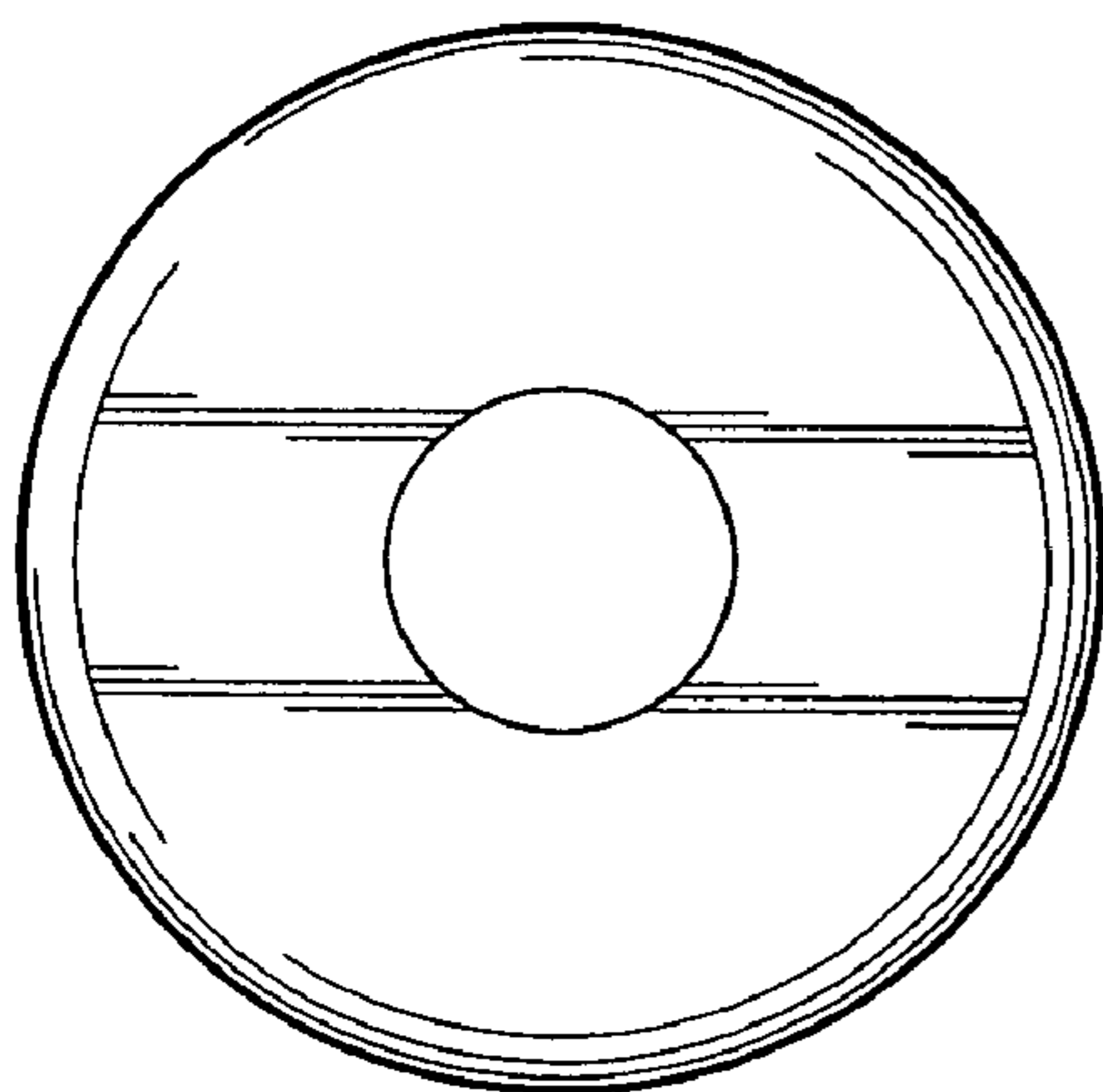


FIG. 7

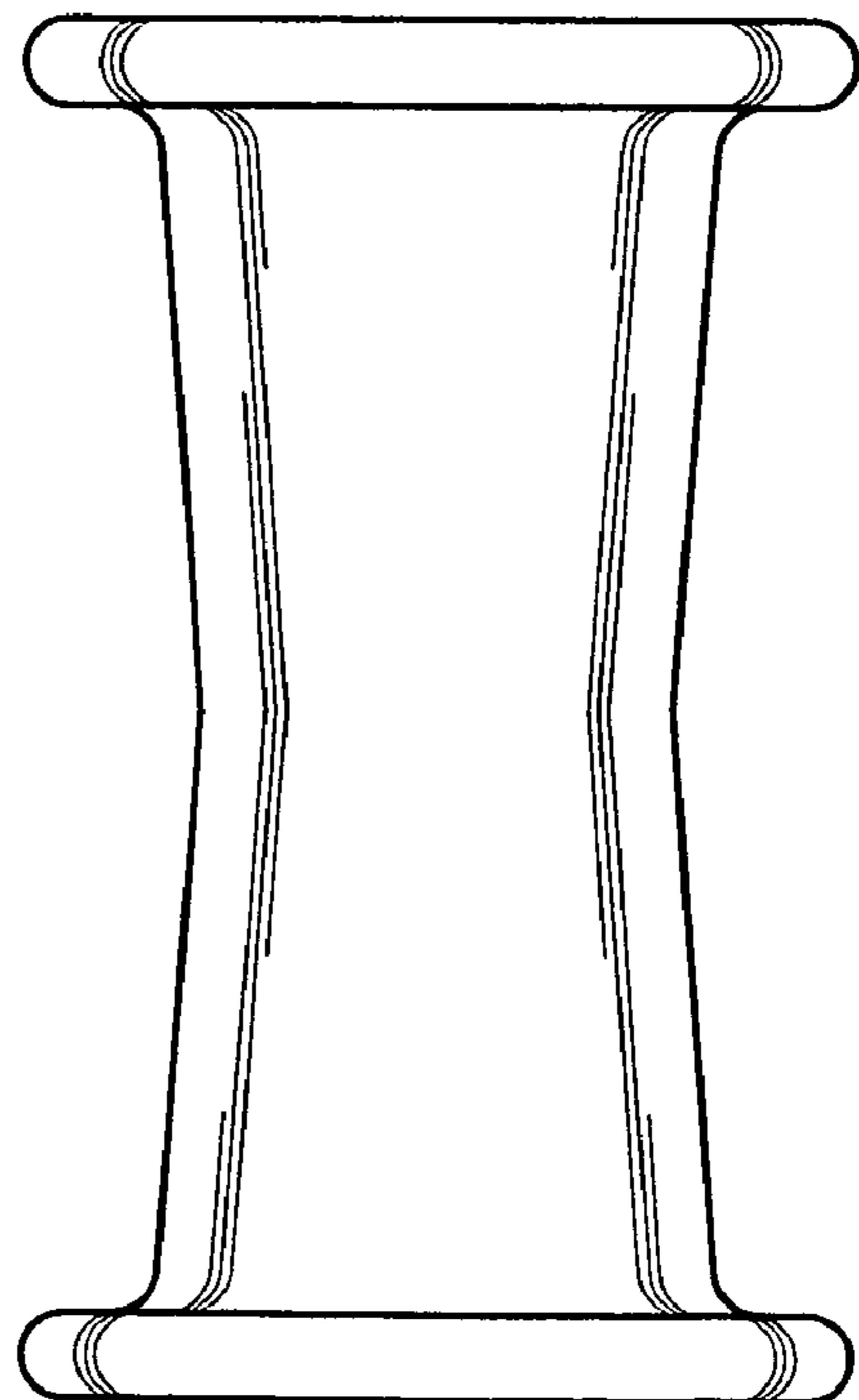


FIG. 8