



US00D546918S

(12) **United States Design Patent**
Hoernig

(10) **Patent No.:** **US D546,918 S**

(45) **Date of Patent:** **** Jul. 17, 2007**

(54) **HAND SHOWER**

(75) Inventor: **Victor Hoernig**, Lowell, IN (US)

(73) Assignee: **Masco Corporation of Indiana**,
Indianapolis, IN (US)

(**) Term: **14 Years**

(21) Appl. No.: **29/259,381**

(22) Filed: **May 8, 2006**

(51) **LOC (8) Cl.** **23-01**

(52) **U.S. Cl.** **D23/223**

(58) **Field of Classification Search** D23/213,
D23/223, 226; 239/394, 282-283; 4/615
See application file for complete search history.

(56) **References Cited**

U.S. PATENT DOCUMENTS

- 5,865,375 A * 2/1999 Hsu 239/282
- D457,598 S * 5/2002 Storti et al. D23/223
- D513,525 S * 1/2006 Haug et al. D23/223
- D524,908 S * 7/2006 Hoernig D23/223
- D527,072 S * 8/2006 Wu D23/223

D531,239 S * 10/2006 Hoggan et al. D21/697

* cited by examiner

Primary Examiner—Robin Webster

(74) *Attorney, Agent, or Firm*—Leon E. Redman; Lloyd D. Doigan

(57) **CLAIM**

The ornamental design for a hand shower, as shown and described.

DESCRIPTION

FIG. 1 is a right, rear perspective view of a hand shower showing my new design;

FIG. 2 is a rear elevational view thereof;

FIG. 3 is a front elevational view thereof;

FIG. 4 is a right side elevational view thereof;

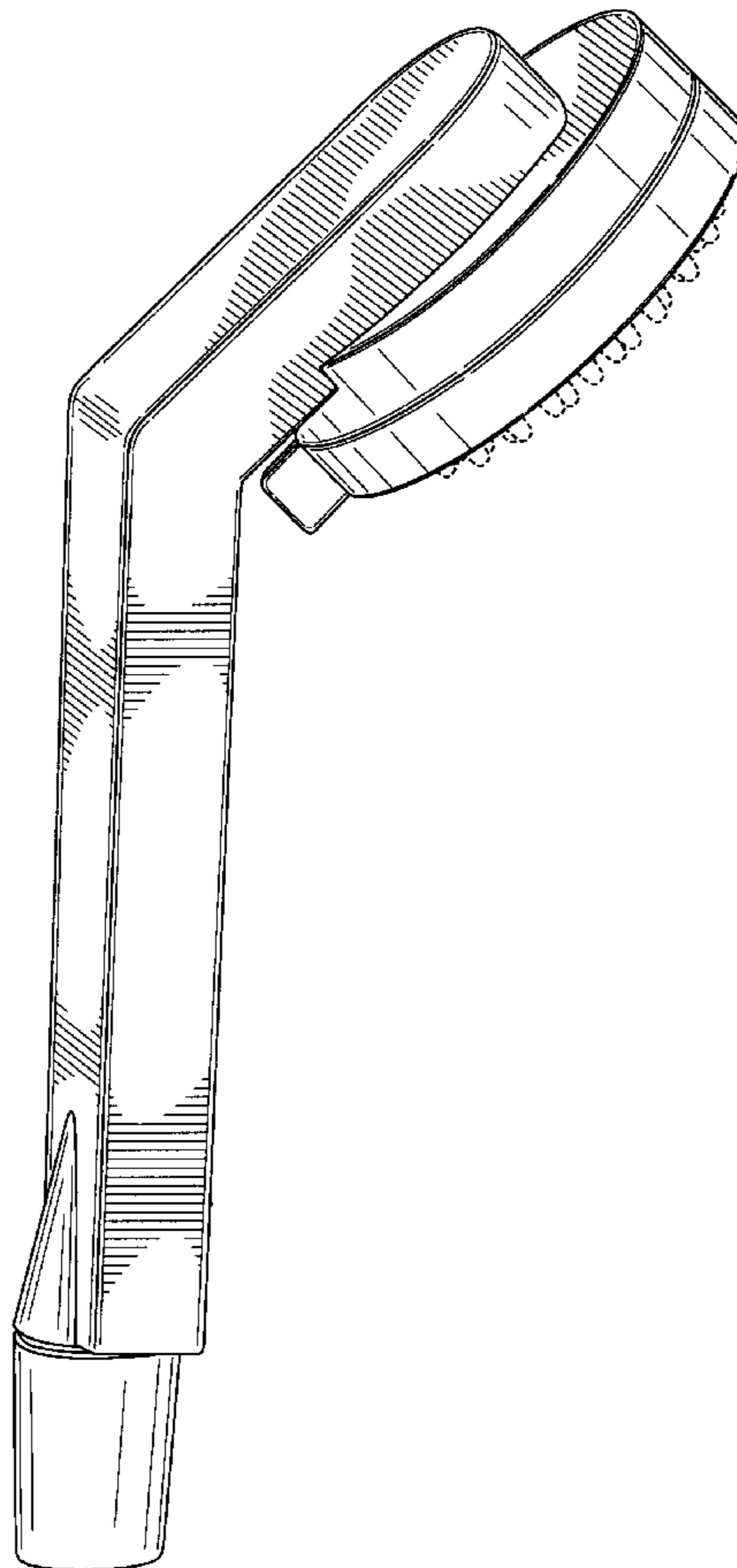
FIG. 5 is a left side elevational view thereof;

FIG. 6 is a top plan view thereof; and,

FIG. 7 is a bottom plan view thereof.

The broken lines in the Figures are for illustrative purposes only and form no part of the claimed design.

1 Claim, 7 Drawing Sheets



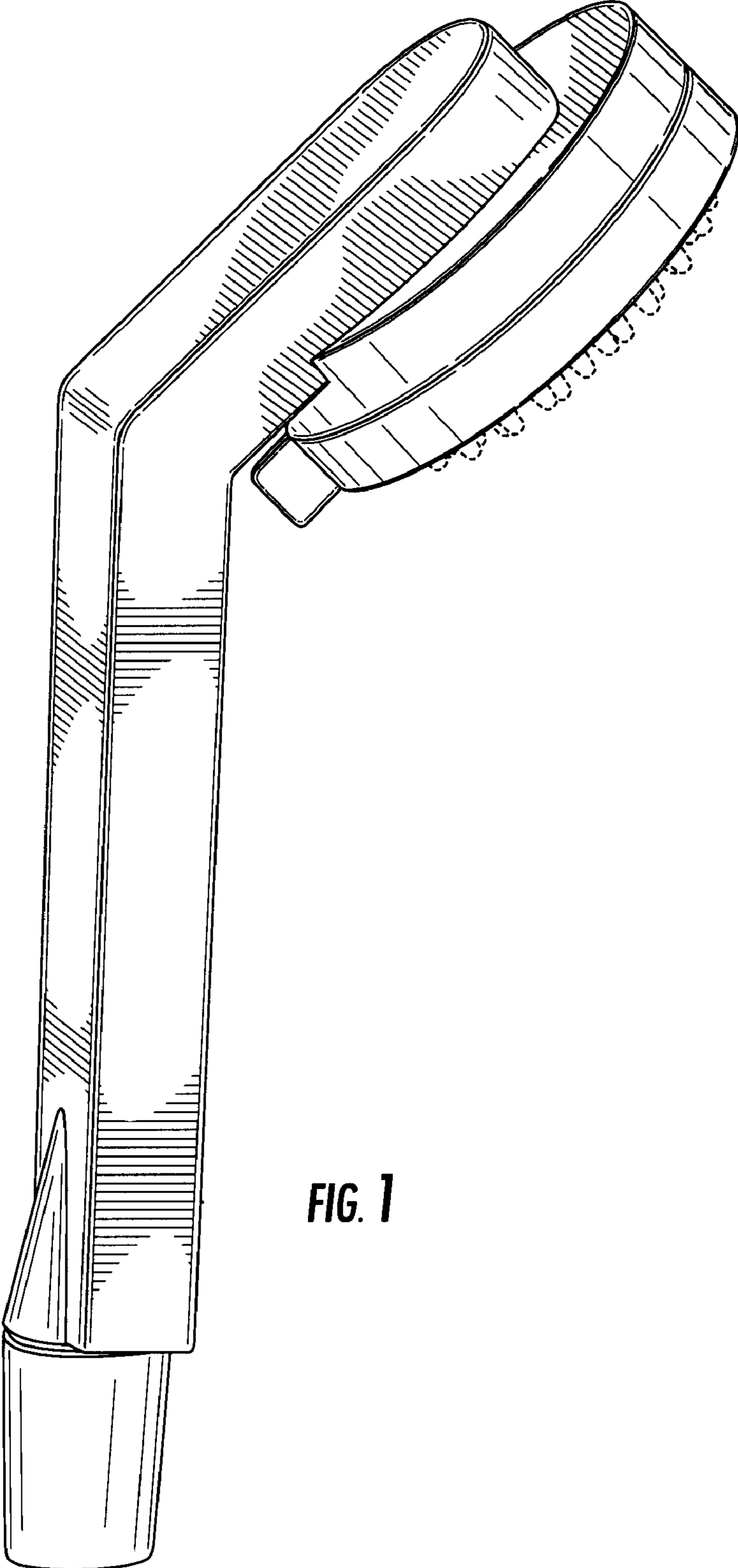


FIG. 1

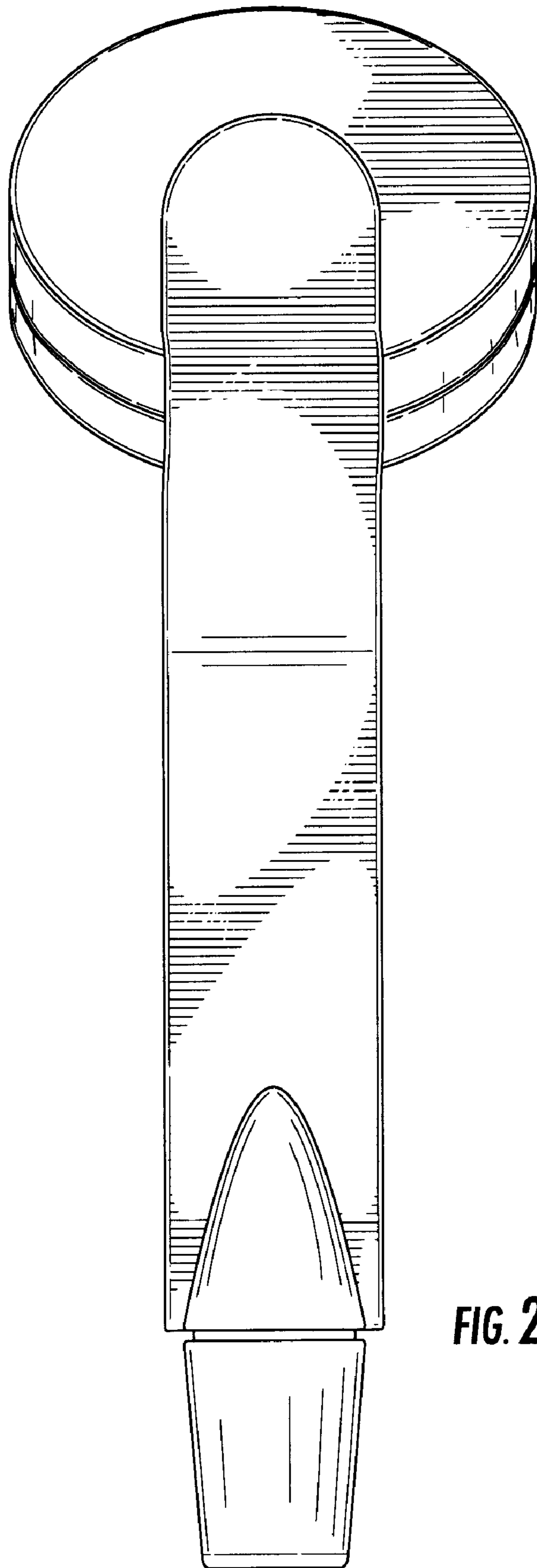


FIG. 2

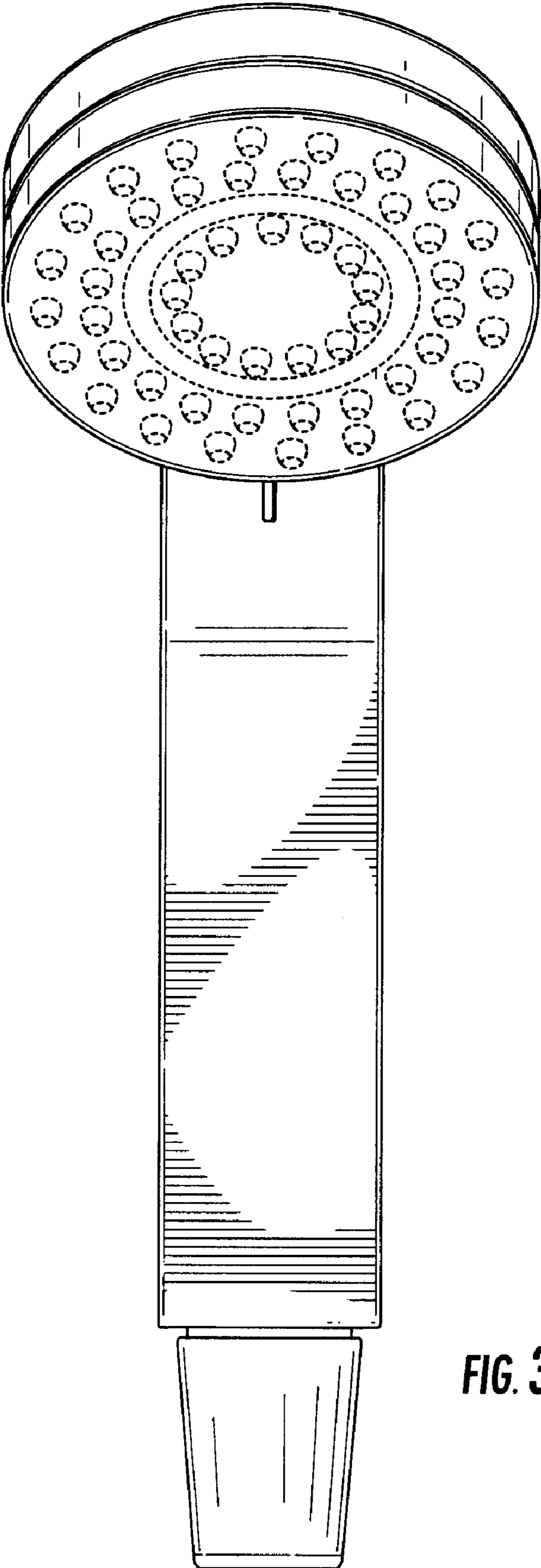


FIG. 3

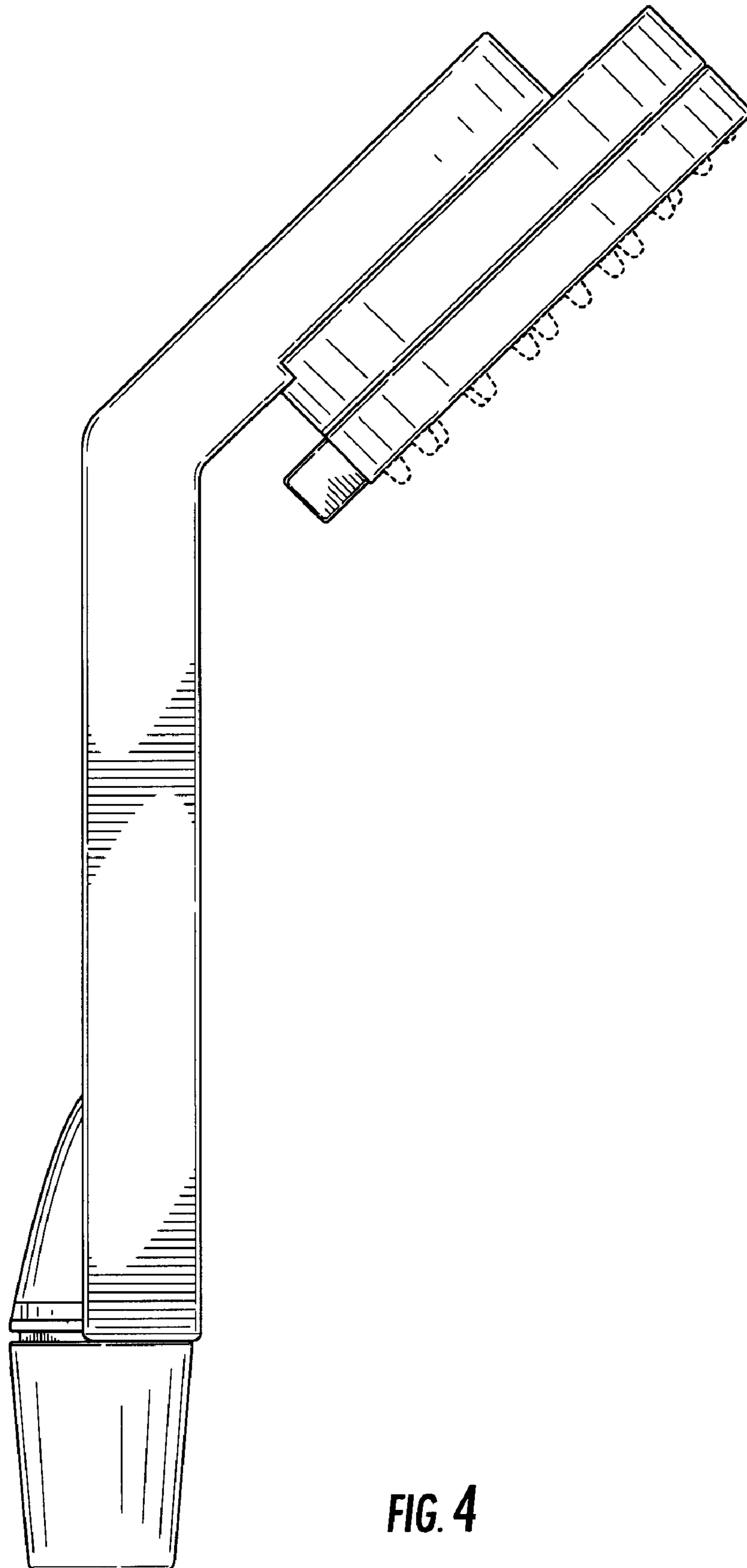


FIG. 4

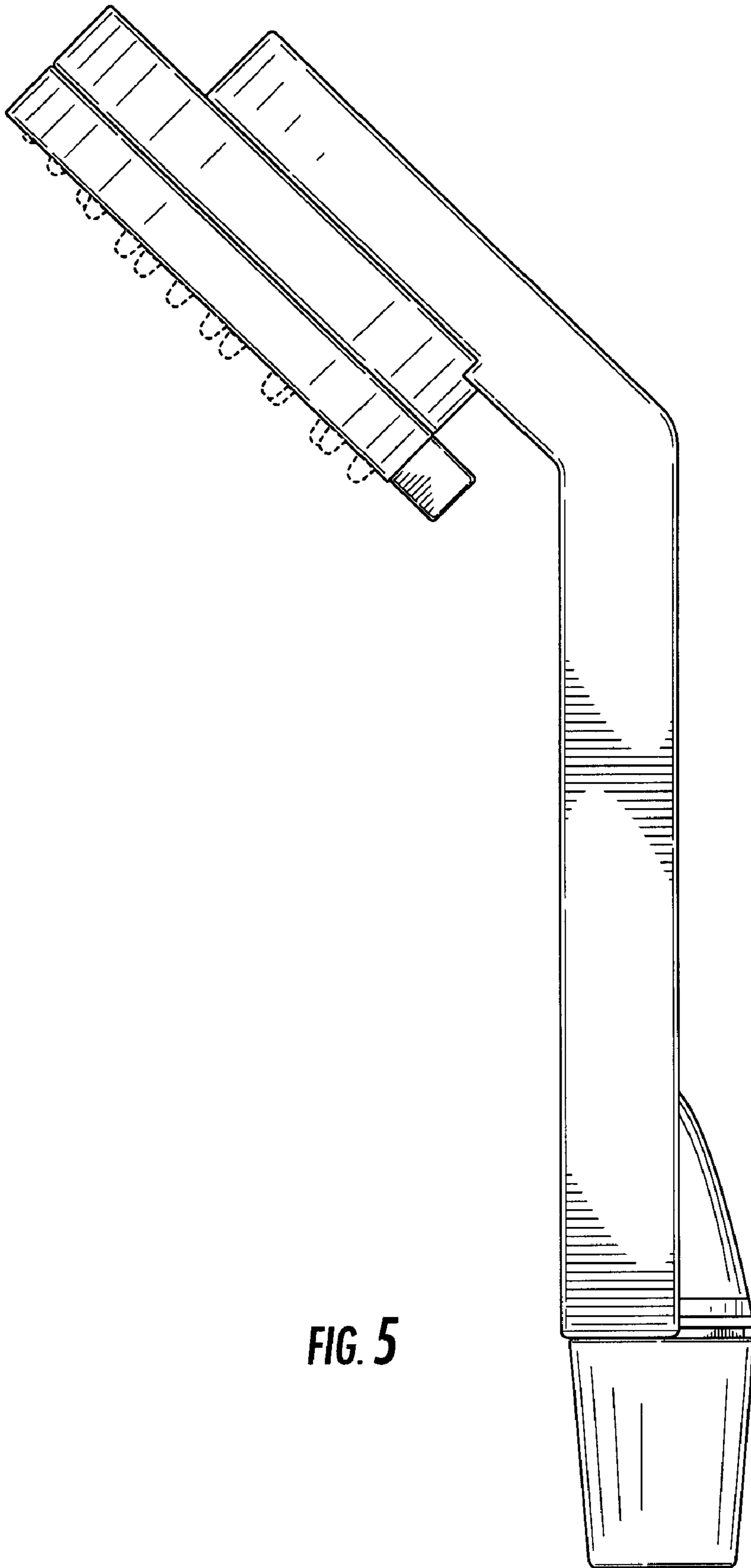


FIG. 5

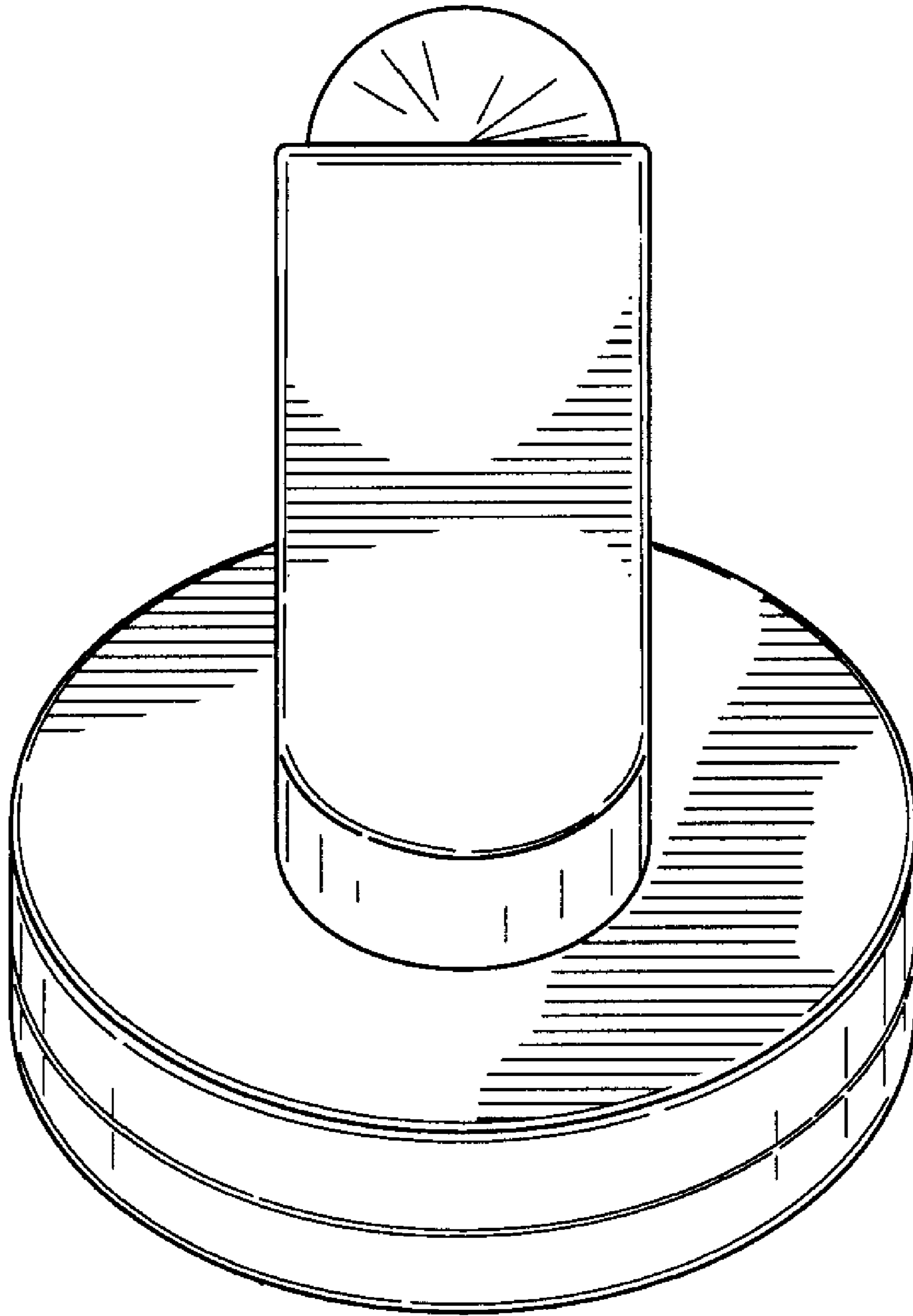


FIG. 6

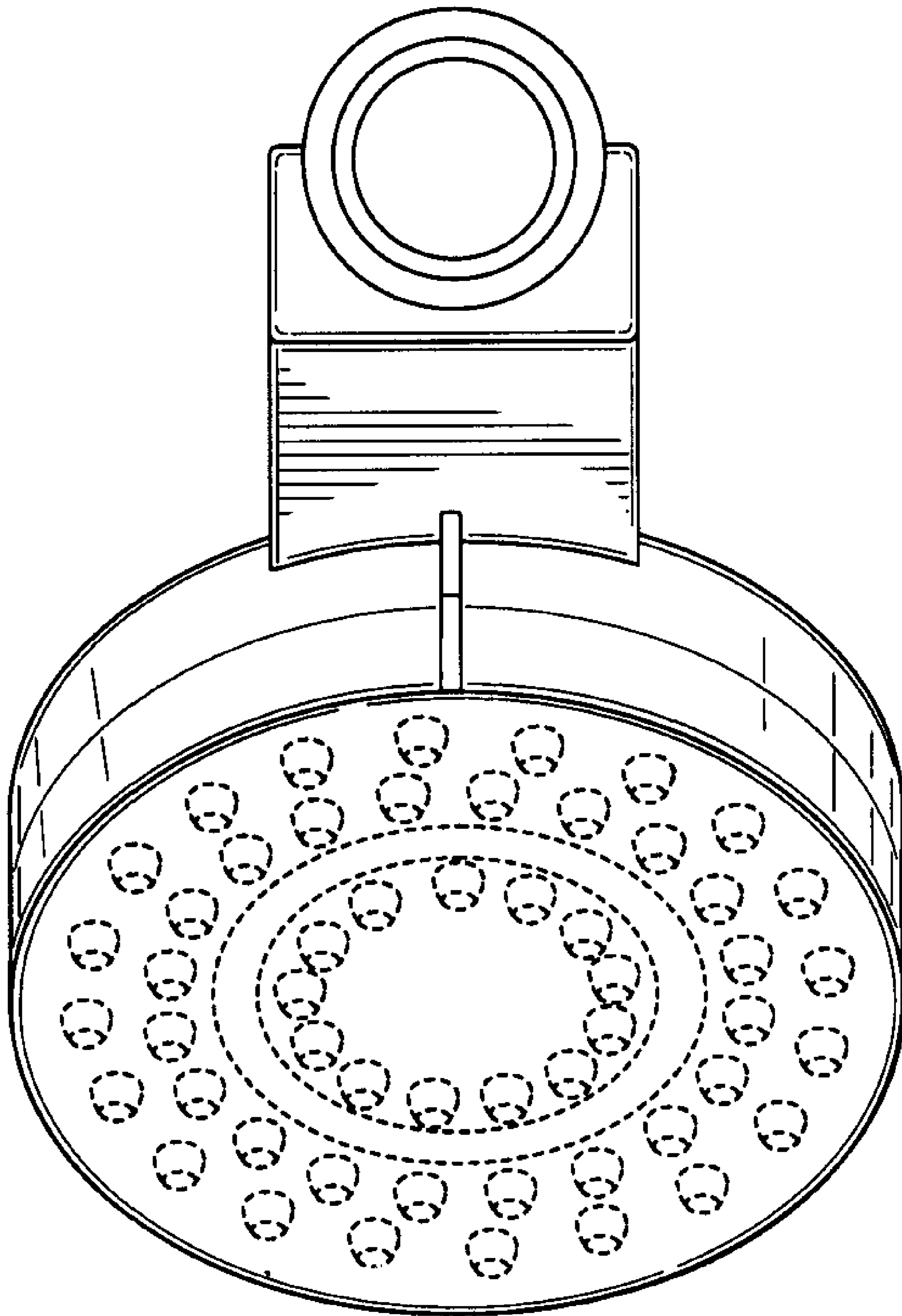


FIG. 7