

US00D546915S

(12) **United States Design Patent** (10) **Patent No.:** **US D546,915 S**
Price (45) **Date of Patent:** **** Jul. 17, 2007**

(54) **SIGHT FOR USE ON FIREARMS**

(57) **CLAIM**

(76) Inventor: **Donald H. Price**, 1574 Coburg Rd.,
194, Eugene, OR (US) 97401

The ornamental design for a sight for use on firearms, as shown and described.

(**) Term: **14 Years**

DESCRIPTION

(21) Appl. No.: **29/256,652**

FIG. 1 is a front elevation view of a first embodiment of the sight for use on firearms.

(22) Filed: **Mar. 22, 2006**

FIG. 2 is a perspective view of the first embodiment showing the invention.

(51) **LOC (8) Cl.** **22-01**

FIG. 3 is a front elevation view of the first embodiment showing the forward portion of the invention.

(52) **U.S. Cl.** **D22/109**

FIG. 4 is a perspective view of the first embodiment showing the forward portion of the invention.

(58) **Field of Classification Search** D22/10,
D22/108, 109, 110, 199; 42/111–113, 120,
42/124, 134, 145; 89/41.19, 161, 200–204;
33/227

FIG. 5 is a front elevation view of the first embodiment showing the rearward portion of the invention.

FIG. 6 is a perspective view of the first embodiment showing the rearward portion of the invention.

See application file for complete search history.

FIG. 7 is a front elevation view of a second embodiment of the sight for use on firearms.

(56) **References Cited**

FIG. 8 is a perspective view of the second embodiment showing the invention.

U.S. PATENT DOCUMENTS

FIG. 9 is a front elevation view of the second embodiment showing the forward portion of the invention.

301,628	A *	7/1884	Babbeth	42/140
3,233,836	A *	2/1966	Merges	241/60
5,065,519	A *	11/1991	Bindon	42/145
D382,038	S *	8/1997	Nigh	D22/109
6,216,351	B1 *	4/2001	Flubacher et al.	42/145
6,216,352	B1 *	4/2001	Lorocco	42/145
6,360,469	B1 *	3/2002	Mikuta et al.	42/84
6,367,189	B1 *	4/2002	Clay	42/145
6,804,908	B1 *	10/2004	Hanson et al.	42/148
D515,170	S	2/2006	Price	

FIG. 10 is a perspective view of the second embodiment showing the forward portion of the invention.

FIG. 11 is a front elevation view of the second embodiment showing the rearward portion of the invention; and,

FIG. 12 is a perspective view of the second embodiment showing the rearward portion of the invention.

* cited by examiner

The broken lines are for purposes of illustration only and form no part of the claimed design.

The portions of the design provided with surface shading have been shaded to represent that the surface exhibits an area of contrasting appearance relative to any surrounding structures.

Primary Examiner—Charles A. Rademaker
Assistant Examiner—Melanie Levy
(74) *Attorney, Agent, or Firm*—Robert E. Howard

1 Claim, 2 Drawing Sheets

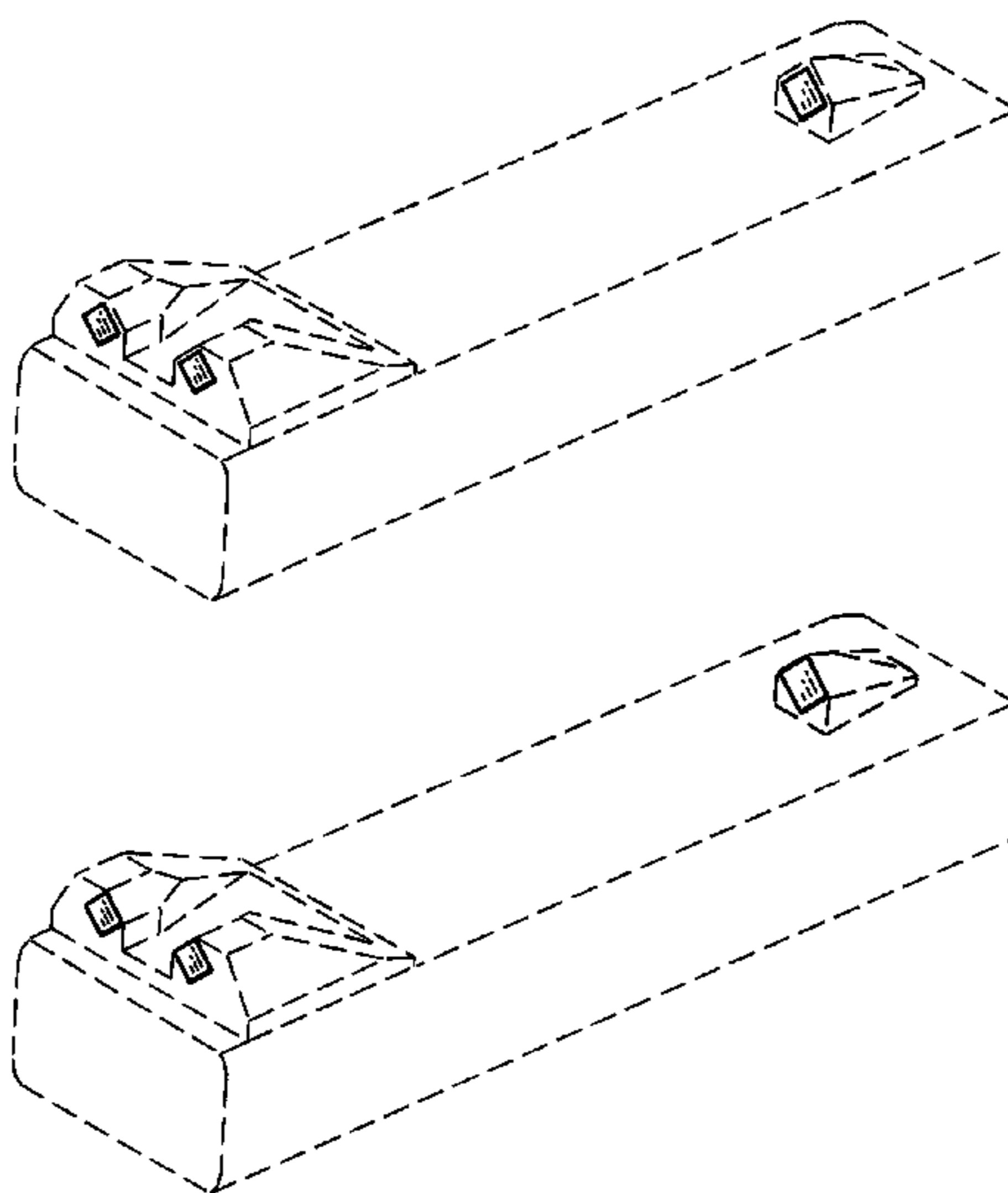


Fig. 1

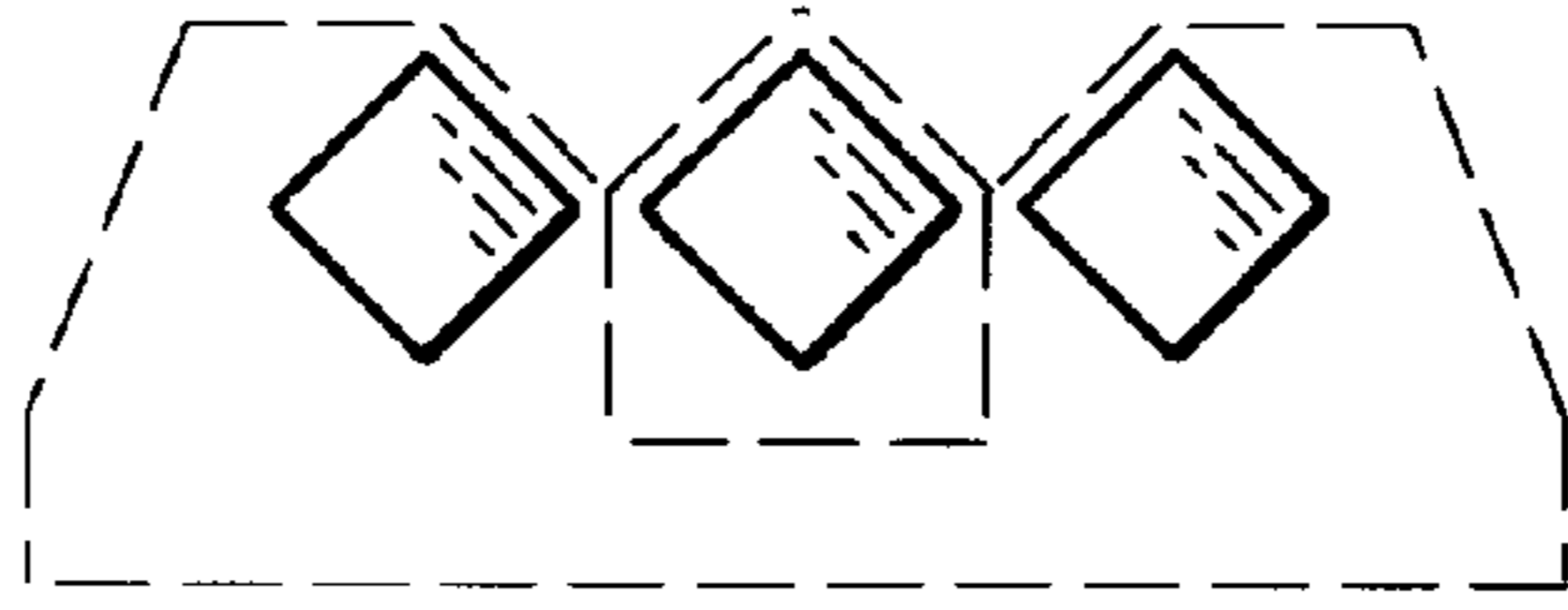


Fig. 2

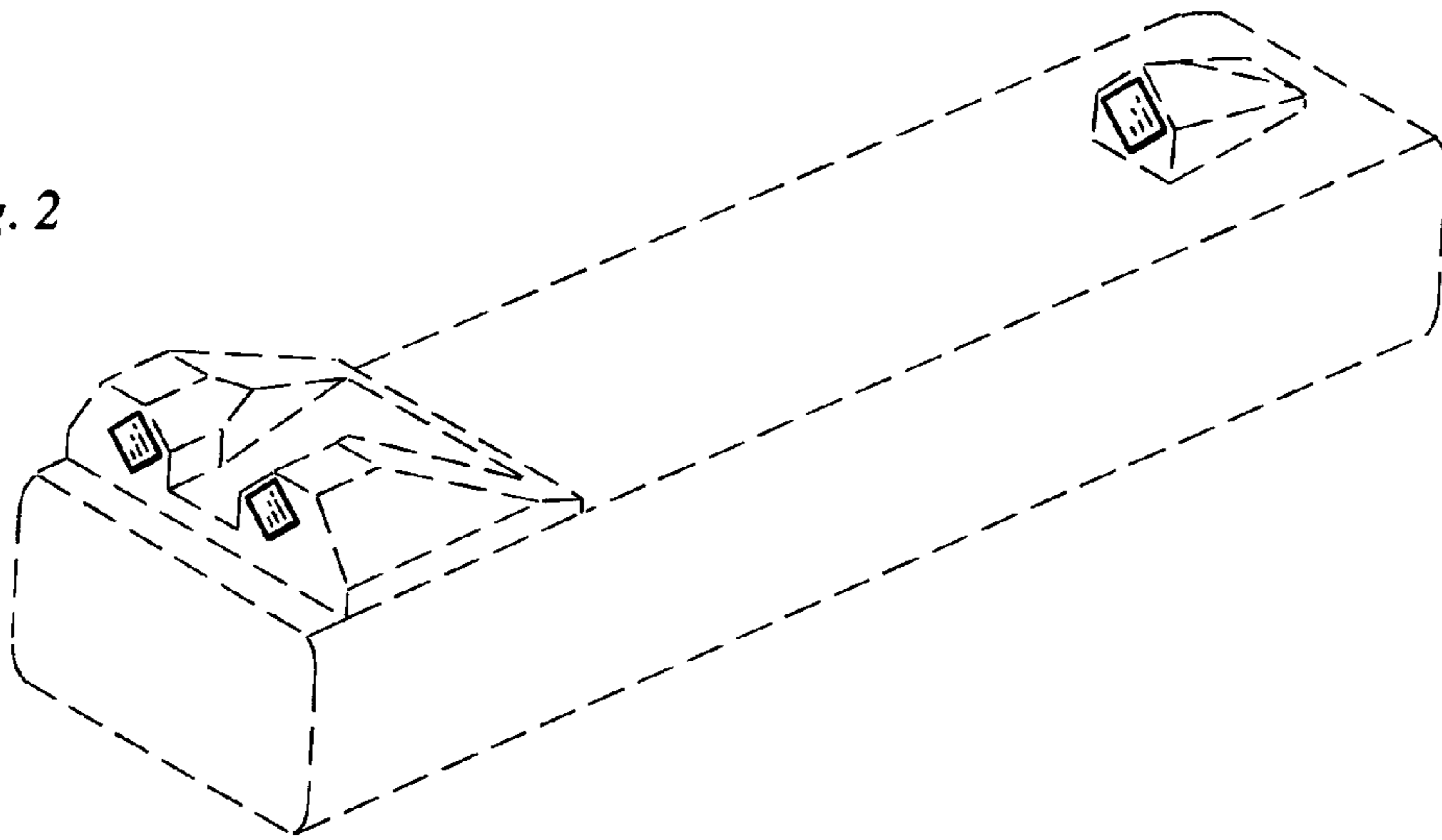


Fig. 3

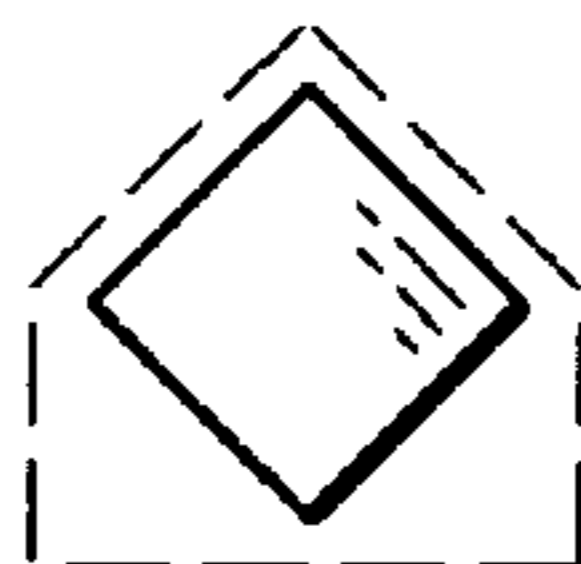


Fig. 4

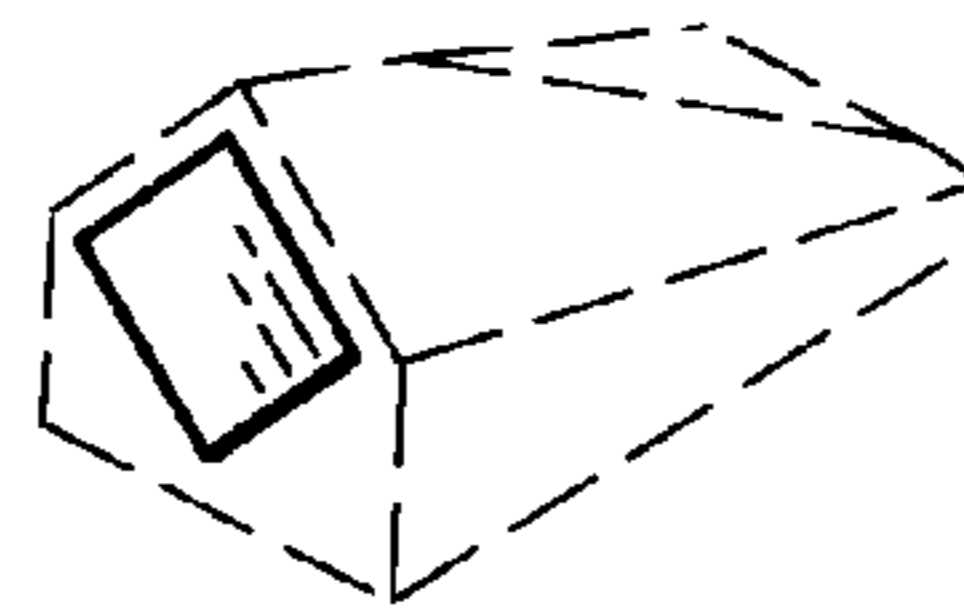


Fig. 5

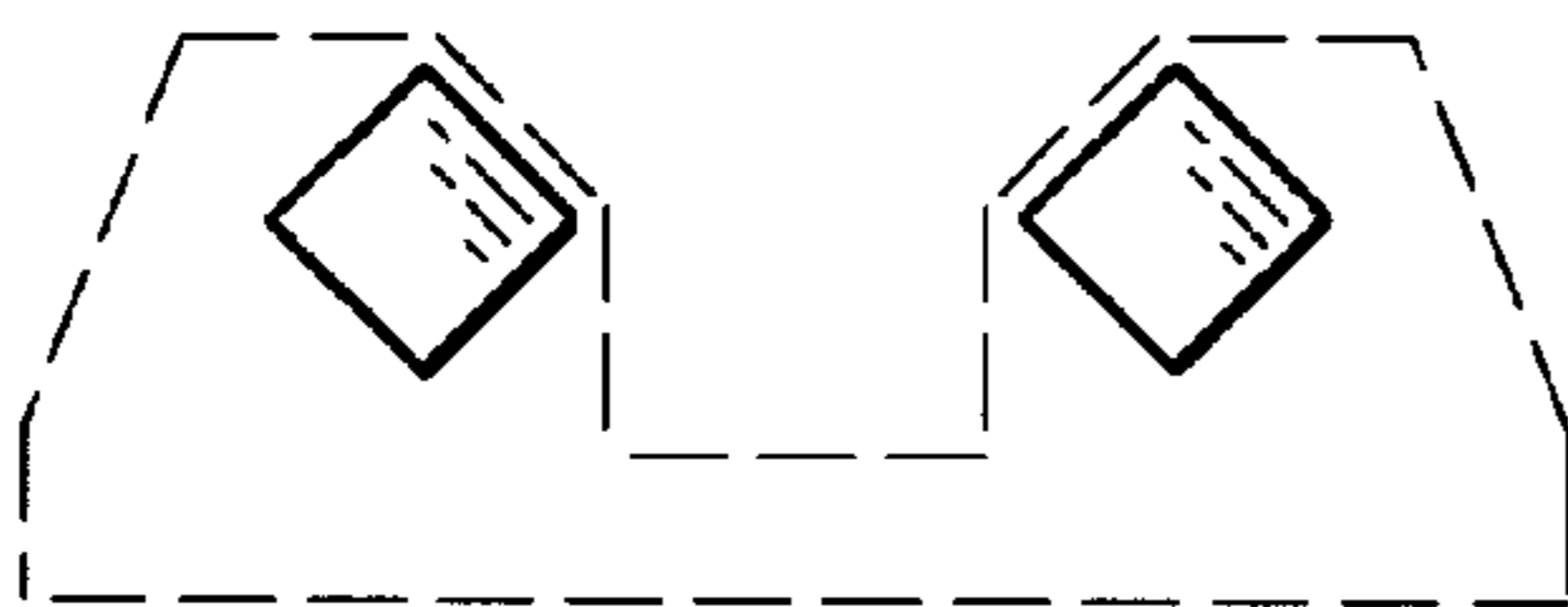


Fig. 6

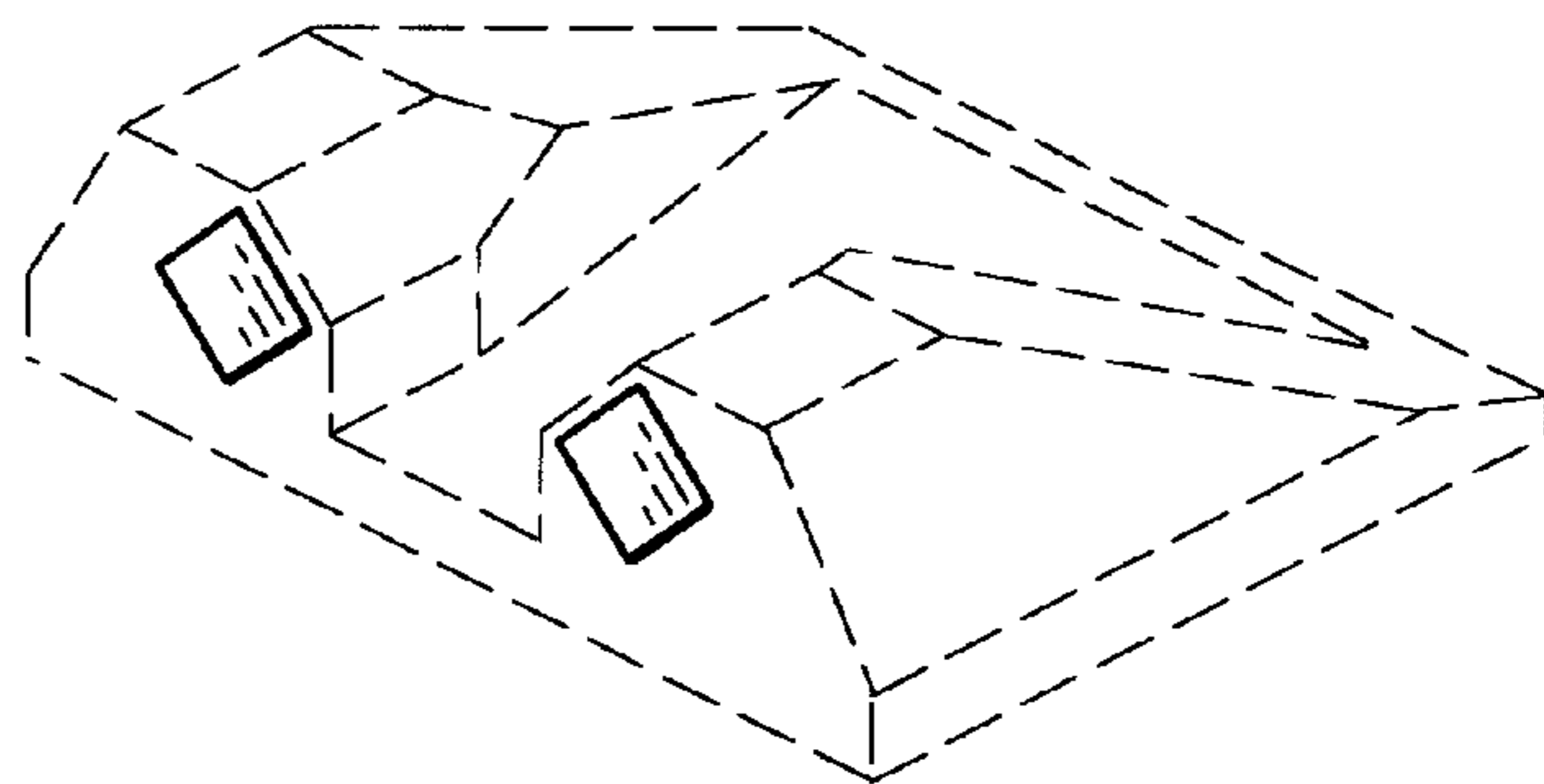


Fig. 7

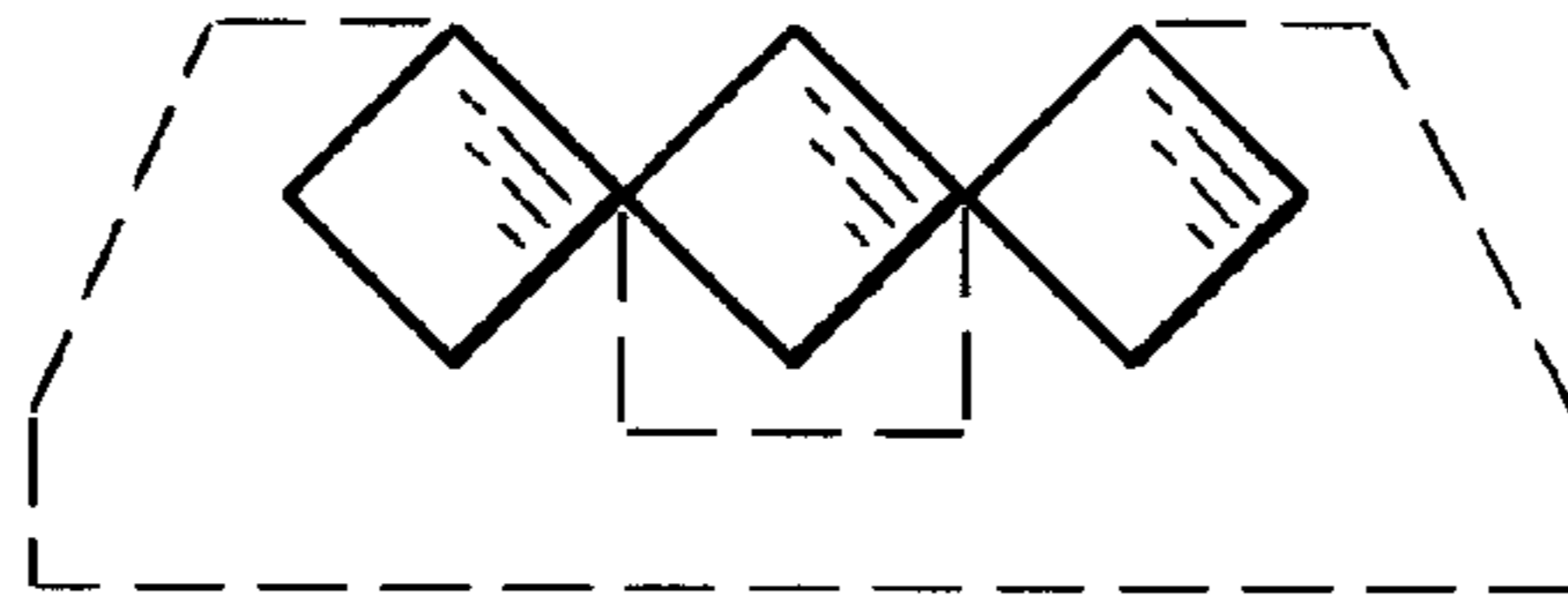


Fig. 8

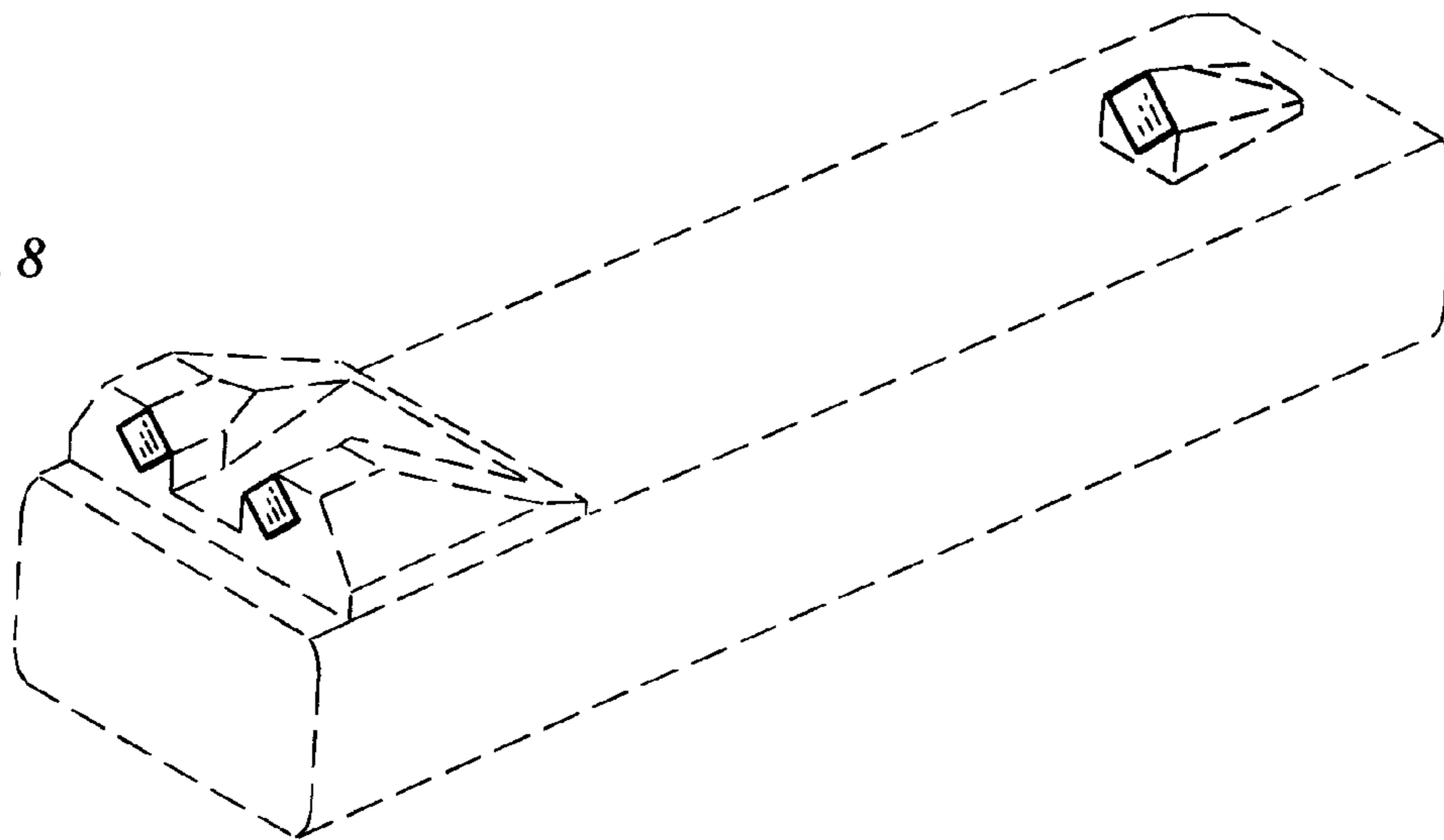


Fig. 9

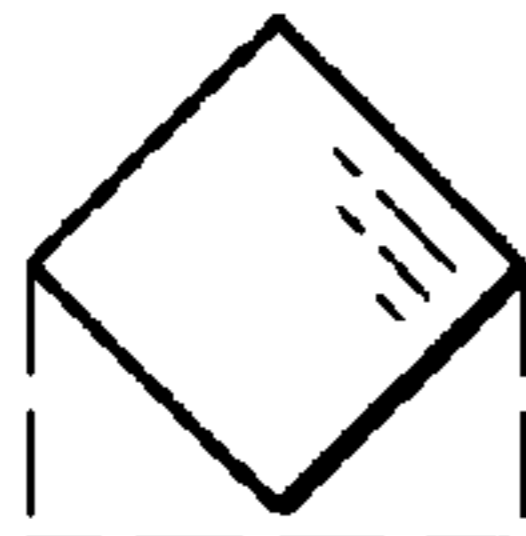


Fig. 10

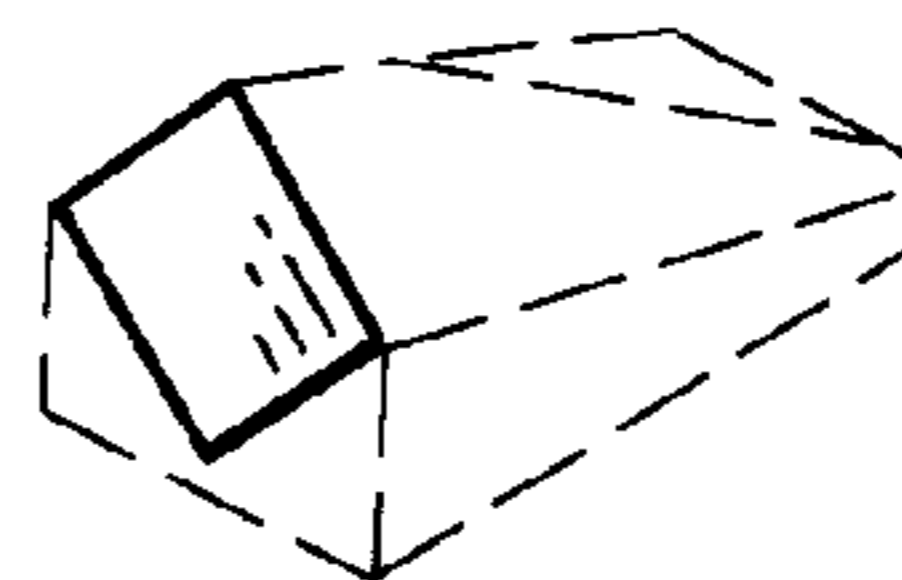


Fig. 11

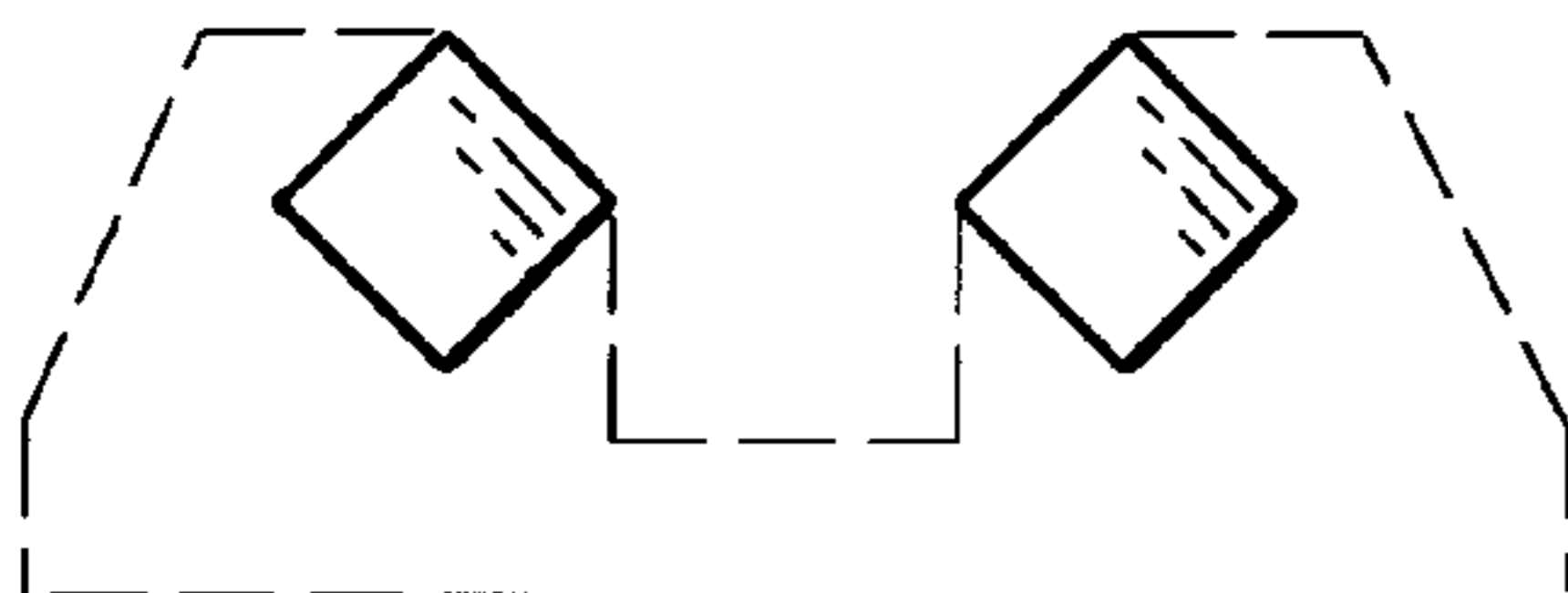


Fig. 12

