



US00D546913S

(12) **United States Design Patent**  
**Toroussian**

(10) **Patent No.:** **US D546,913 S**

(45) **Date of Patent:** **\*\* Jul. 17, 2007**

(54) **PUTTER HEAD**

6,949,028 B1 9/2005 Hueber ..... 473/242

(75) Inventor: **Vartan Toroussian**, Montreal (CA)

\* cited by examiner

(73) Assignee: **Daito Precision Inc.**, Saint-Laurent, Quebec (CA)

*Primary Examiner*—Mitchell Siegel

(74) *Attorney, Agent, or Firm*—Norris, McLaughlin & Marcus

(\*\*) Term: **14 Years**

(21) Appl. No.: **29/252,197**

(22) Filed: **Jan. 19, 2006**

(51) **LOC (8) Cl.** ..... **21-02**

(52) **U.S. Cl.** ..... **D21/759**

(58) **Field of Classification Search** ..... D21/736–746, D21/759; 473/324–331, 251–256, 340, 341  
See application file for complete search history.

(56) **References Cited**

U.S. PATENT DOCUMENTS

|              |         |                   |       |         |
|--------------|---------|-------------------|-------|---------|
| D207,227 S * | 3/1967  | Solheim           | ..... | D21/739 |
| 4,458,900 A  | 7/1984  | Antonious         | ..... | 273/164 |
| D360,670 S   | 7/1995  | Nilsson           | ..... | D21/219 |
| D389,207 S * | 1/1998  | Cameron           | ..... | D21/742 |
| D426,599 S * | 6/2000  | Morgan et al.     | ..... | D21/736 |
| D443,906 S * | 6/2001  | Hettinger et al.  | ..... | D21/743 |
| D449,085 S * | 10/2001 | Breier et al.     | ..... | D21/744 |
| D485,320 S * | 1/2004  | Breier et al.     | ..... | D21/736 |
| D498,276 S * | 11/2004 | Schweigert et al. | ..... | D21/743 |

(57) **CLAIM**

The ornamental design for a putter head, as shown and described.

**DESCRIPTION**

FIG. 1 is a back view of a putter head showing my new design;

FIG. 2 is a bottom view thereof;

FIG. 3 is a top view thereof;

FIG. 4 is a back perspective view thereof;

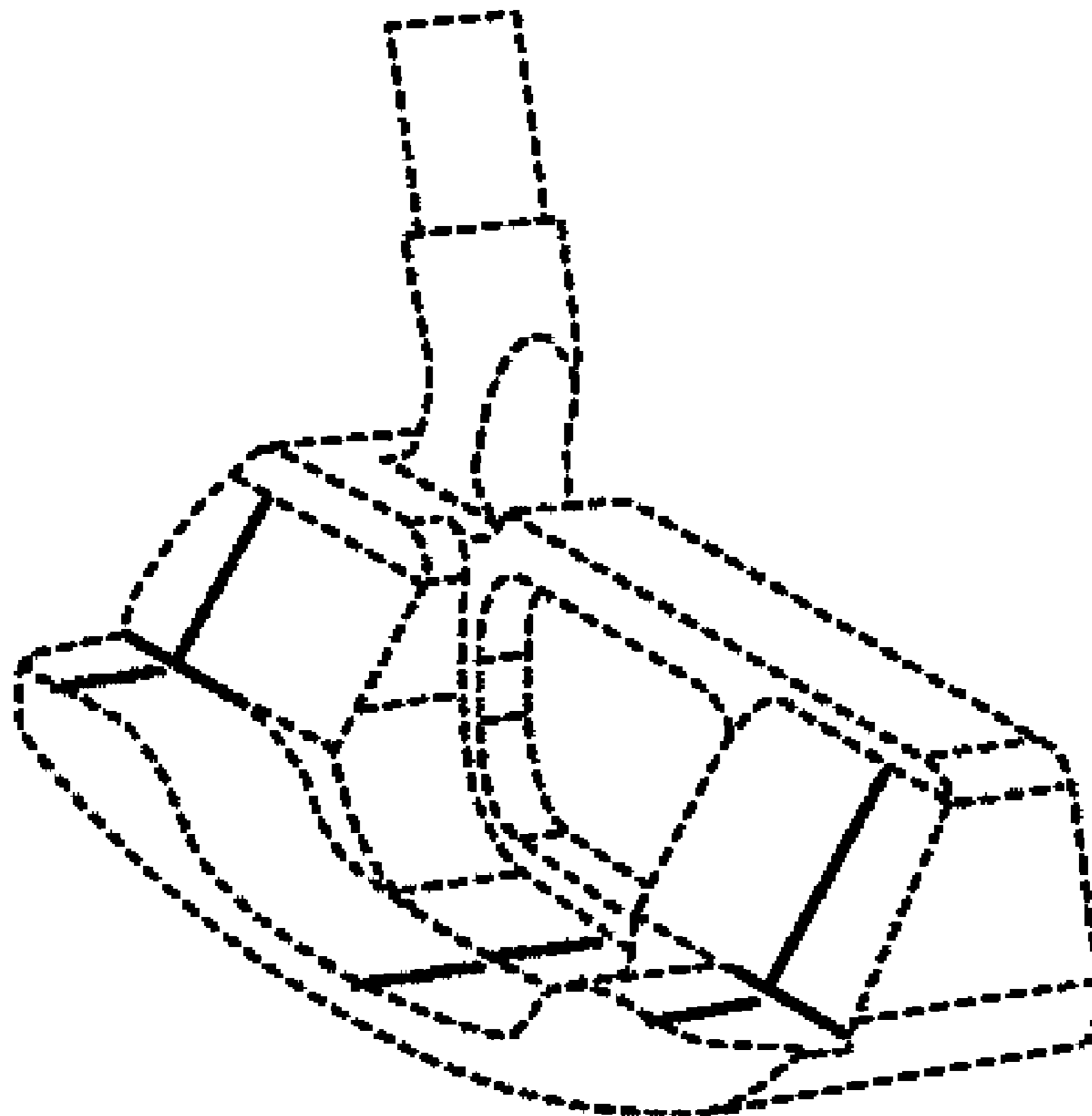
FIG. 5 is a toe perspective view thereof;

FIG. 6 is a heel perspective view thereof; and,

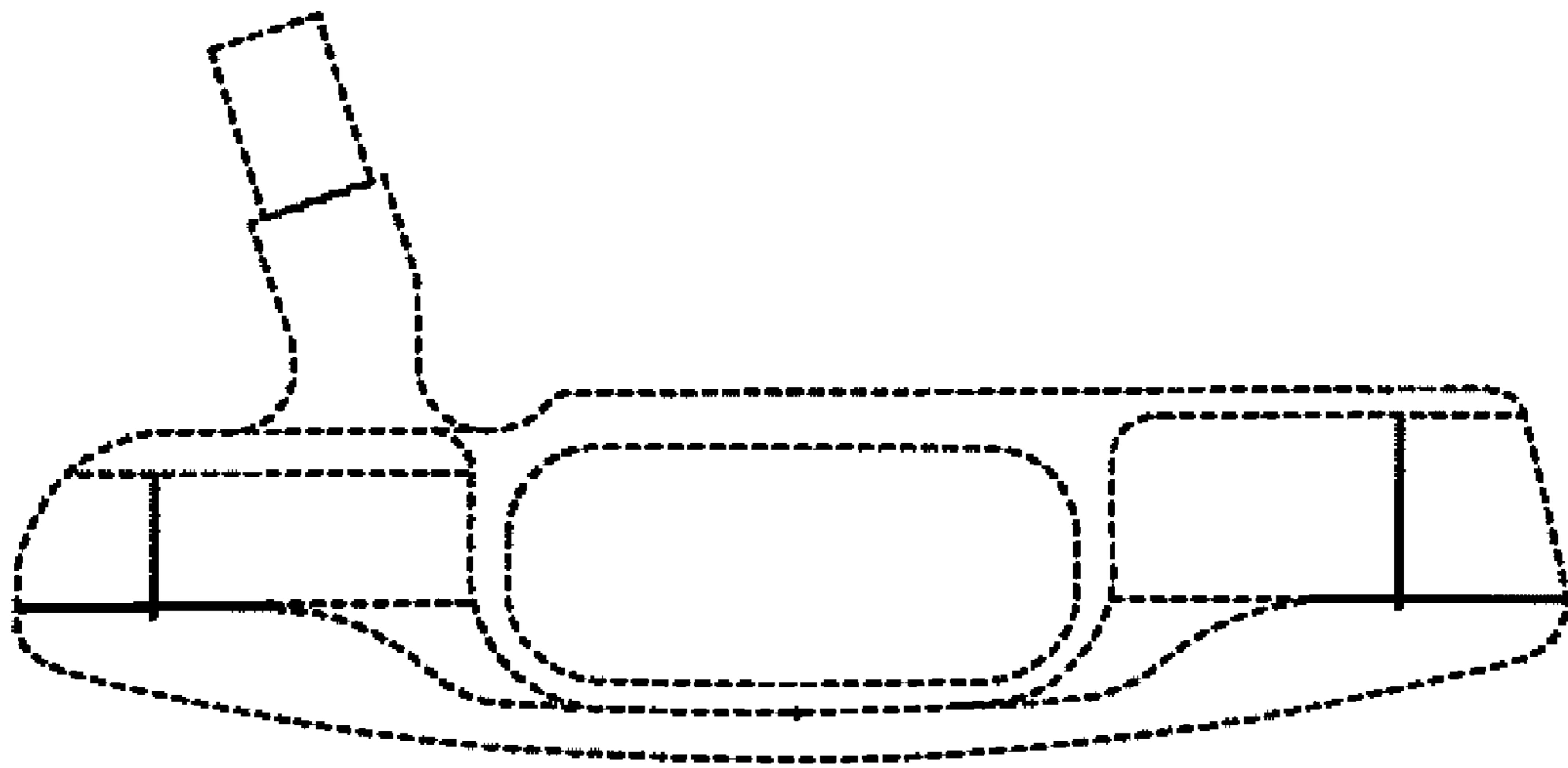
FIG. 7 is a face side view thereof.

The broken lines in FIGS. 1–7 are for showing the environment of my new design and form no part of the claimed design.

**1 Claim, 7 Drawing Sheets**



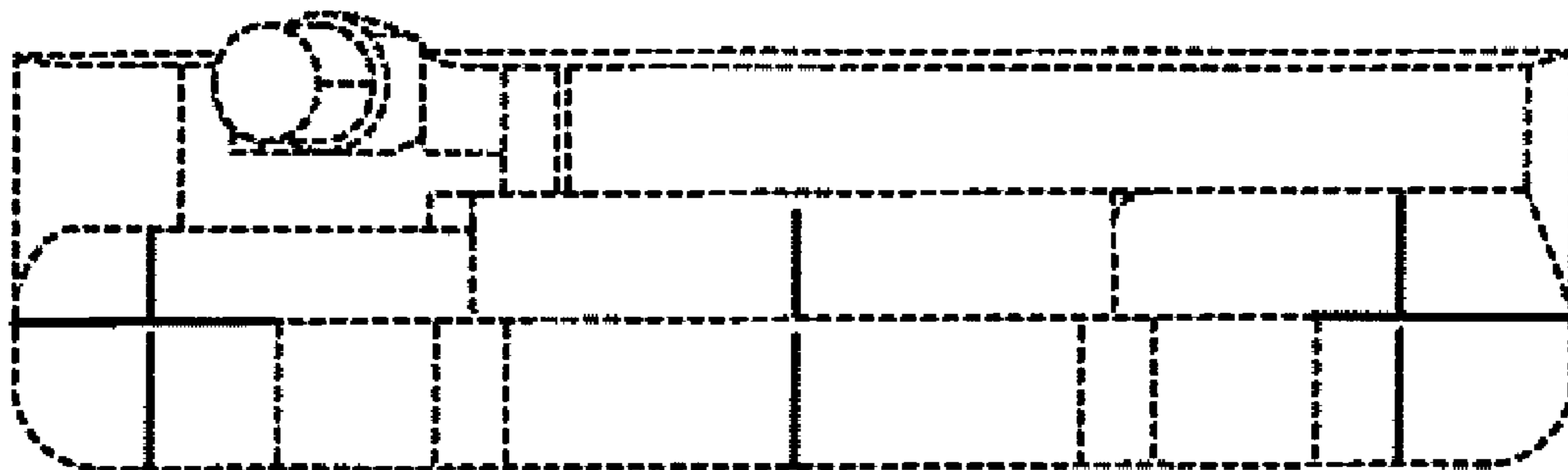
**FIG. 1**



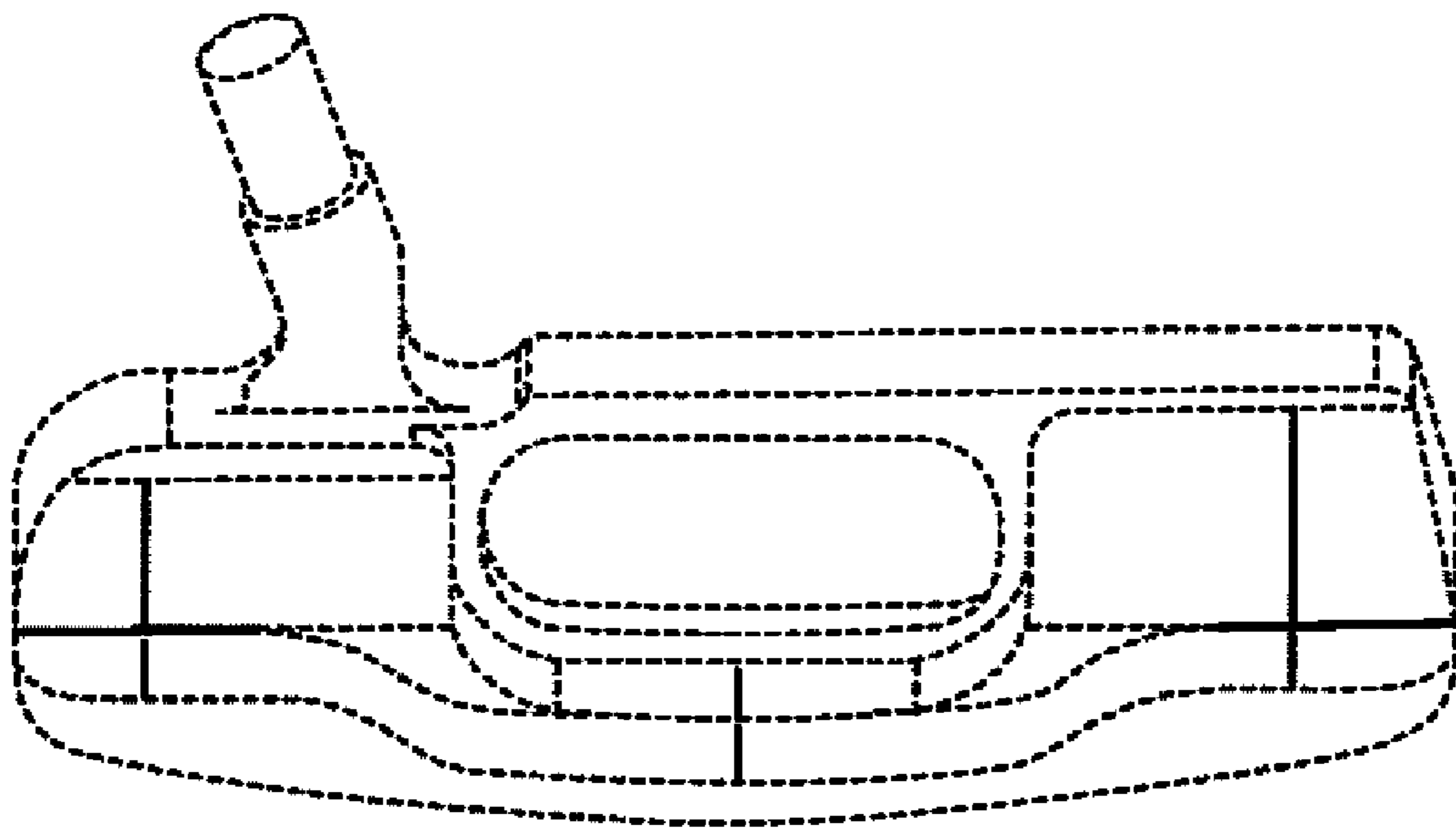
**FIG. 2**



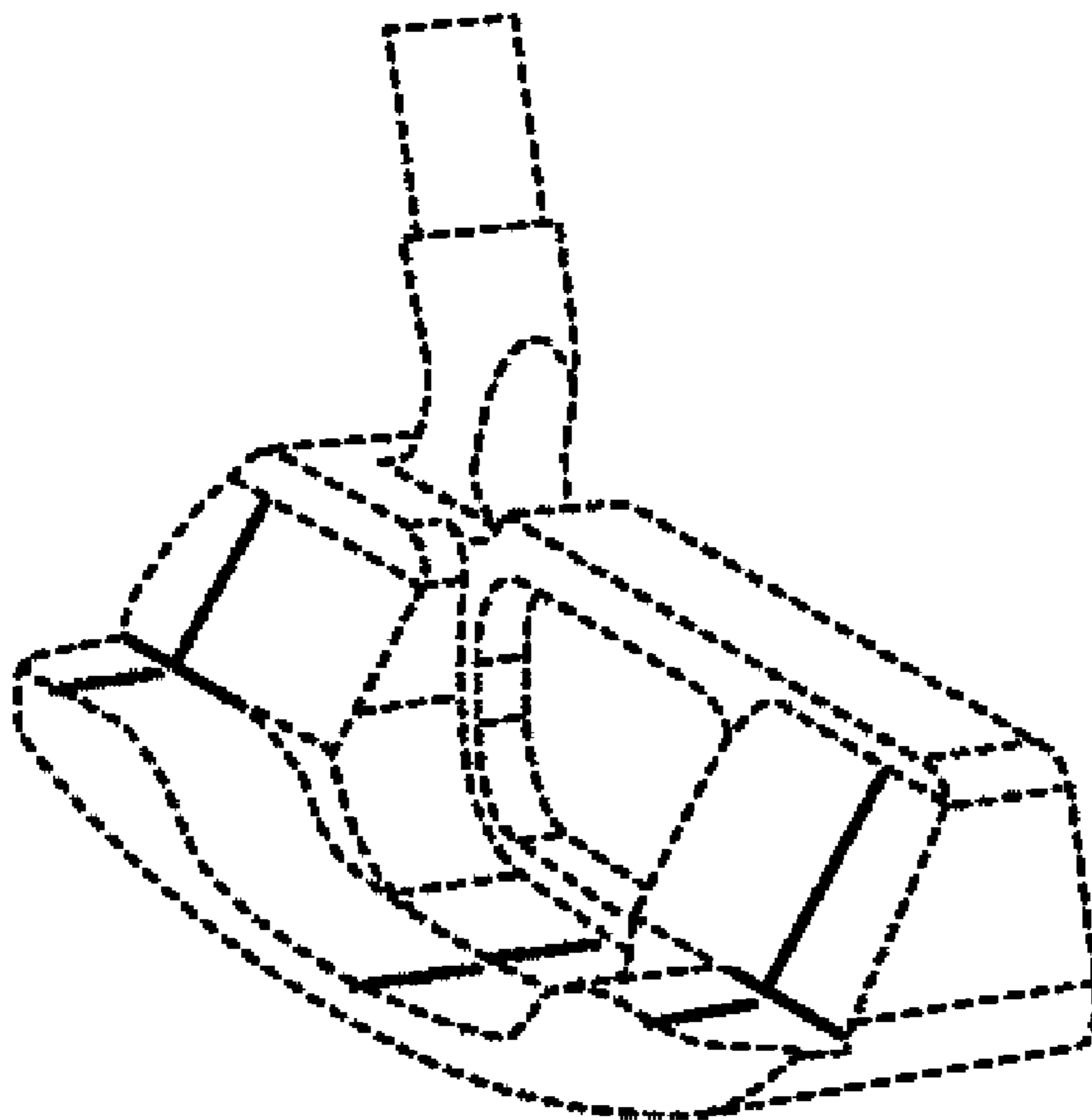
**FIG. 3**



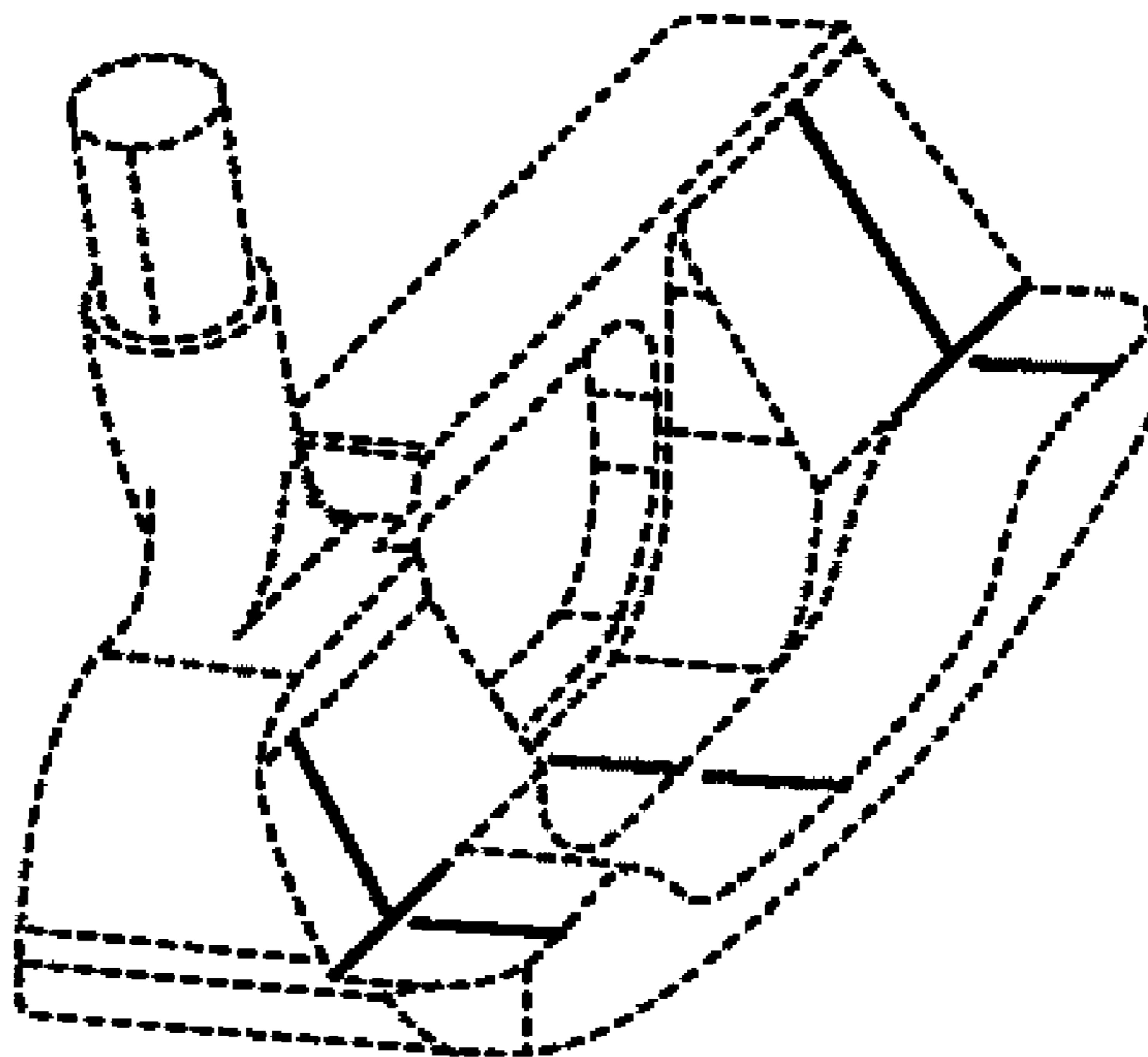
**FIG. 4**



**FIG. 5**



**FIG. 6**



**FIG. 7**

