

US00D546910S

(12) **United States Design Patent** (10) **Patent No.:** **US D546,910 S**  
**Niwa** (45) **Date of Patent:** **\*\* Jul. 17, 2007**

(54) **DIMPLE FOR A GOLF BALL**

FOREIGN PATENT DOCUMENTS

(76) Inventor: **Katsumi Niwa**, c/o Yugenkaisha  
Kotobukinhachl, 1-825, Takabari-dai,  
Meito-ku, Nagoya-shi, Aichi-ken (JP)

JP 2003290392 A \* 10/2003  
JP 2005034366 A \* 2/2005

\* cited by examiner

(\*\*) Term: **14 Years**

*Primary Examiner*—Catherine Tuttle  
(74) *Attorney, Agent, or Firm*—Davis & Bujold & Daniels,  
P.L.L.C.

(21) Appl. No.: **29/225,923**

(22) Filed: **Mar. 22, 2005**

(57) **CLAIM**

**Related U.S. Application Data**

(63) Continuation-in-part of application No. 29/199,722,  
filed on Feb. 19, 2004, now abandoned.

I claim the ornamental design for a dimple for a golf ball, as  
shown and described.

(51) **LOC (8) Cl.** ..... **21-02**

**DESCRIPTION**

(52) **U.S. Cl.** ..... **D21/708; D21/709**

FIG. 1 is a front elevational view of a dimple for a golf ball  
embodying my new design;

(58) **Field of Classification Search** ..... D21/707–714;  
473/351–385  
See application file for complete search history.

FIG. 2 is an enlarged front elevational view of the dimple of  
FIG. 1;

(56) **References Cited**

**U.S. PATENT DOCUMENTS**

|                  |         |               |               |
|------------------|---------|---------------|---------------|
| 1,656,408 A      | 1/1928  | Young         |               |
| D75,198 S        | 5/1928  | Young         |               |
| 2,728,576 A      | 12/1955 | Martin et al. |               |
| 2,861,810 A      | 11/1958 | Franklin      |               |
| D228,394 S       | 9/1973  | Martin et al. |               |
| 4,090,716 A      | 5/1978  | Martin et al. |               |
| 5,174,578 A      | 12/1992 | Oka et al.    |               |
| 5,338,039 A      | 8/1994  | Oka et al.    |               |
| 5,470,076 A      | 11/1995 | Cadorniga     |               |
| 6,059,671 A      | 5/2000  | Asakura       |               |
| 2002/0025864 A1  | 2/2002  | Barfield      |               |
| 2002/0165044 A1  | 11/2002 | Sullivan      |               |
| 2003/0220158 A1  | 11/2003 | Aoyama        |               |
| 2006/0073915 A1* | 4/2006  | Aoyama        | ..... 473/378 |

FIG. 3 is an enlarged front elevational view of the dimple of  
FIG. 1 used to reference various cross-sectional views of the  
dimple of FIG. 1;

FIG. 4 is a cross-sectional view of the dimple of FIG. 3 taken  
along section line 4—4 of FIG. 3;

FIG. 5 is a cross-sectional view of the dimple of FIG. 3 taken  
along section line 5—5 of FIG. 3; and,

FIG. 6 is a partial cross-sectional view of the dimple of FIG.  
3 taken along section line 6—6 of FIG. 3.

In FIG. 2, the broken line, shown immediately adjacent and  
around the solid lines of the dimple, forms an unclaimed  
boundary of the design. The broken lines outside the  
unclaimed boundary in FIG. 1 are included for the purpose  
of illustrating the environment of the dimple; and form no  
part of the claimed design.

**1 Claim, 3 Drawing Sheets**

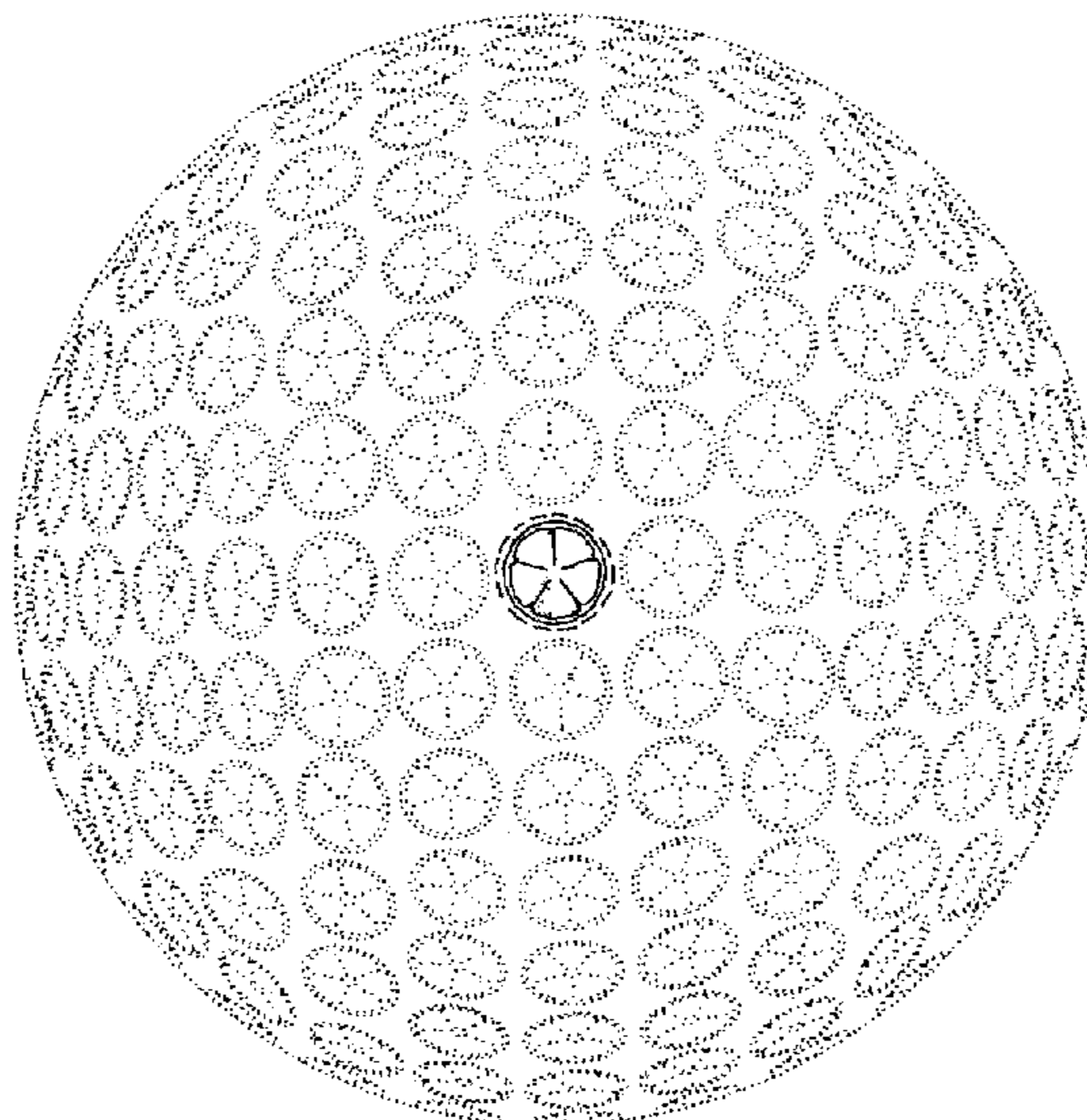


FIG. 1

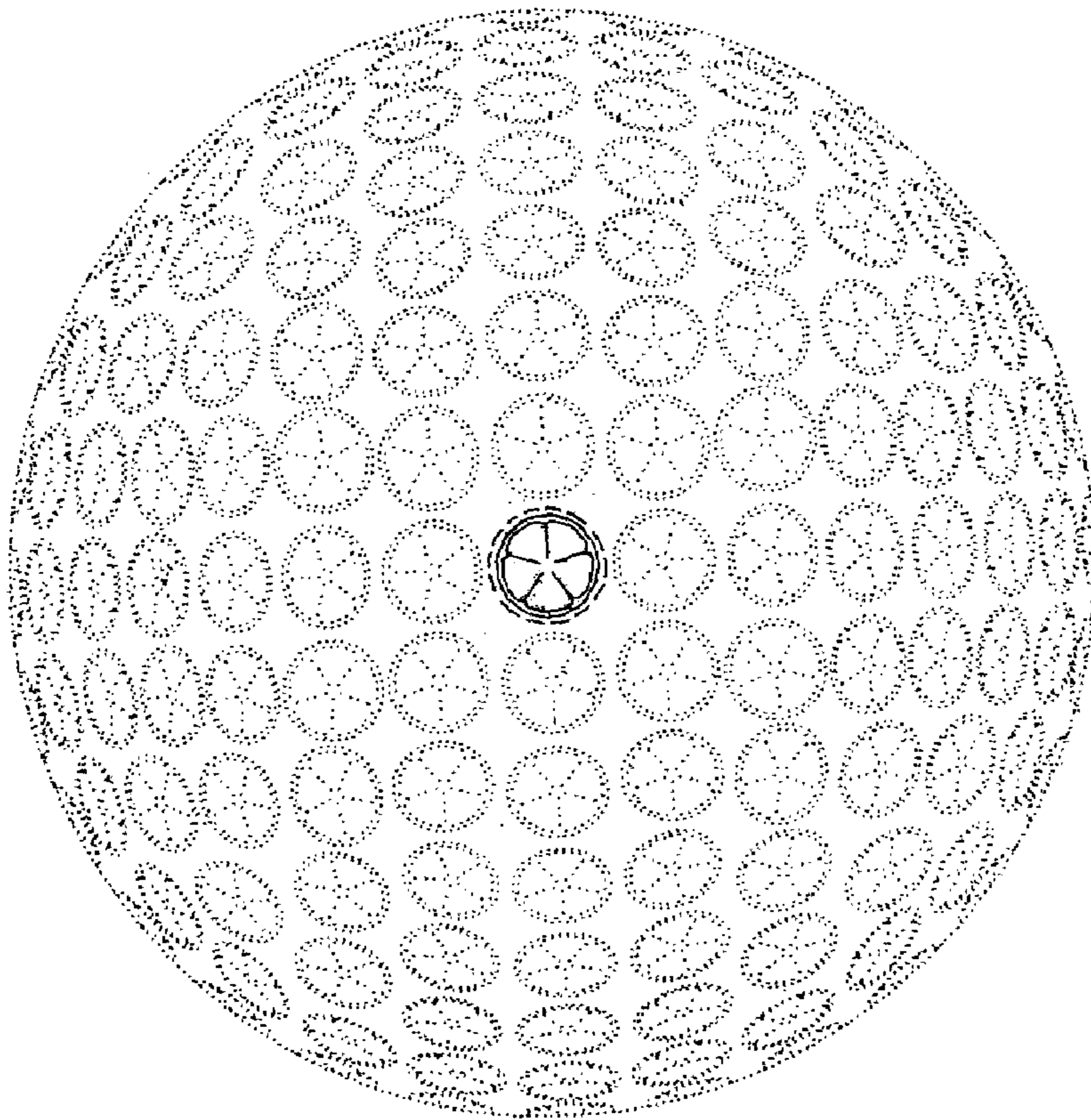
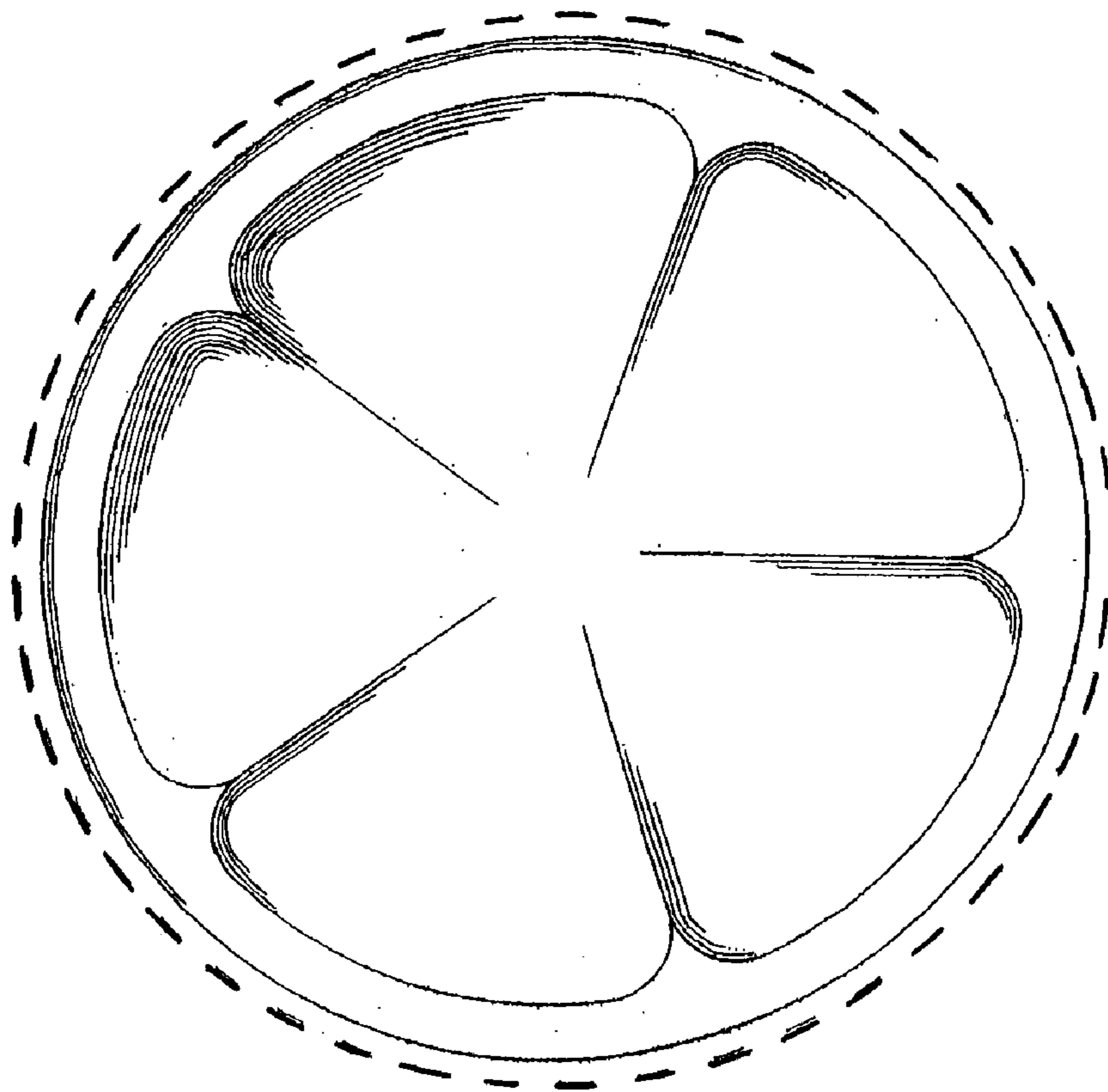


FIG. 2



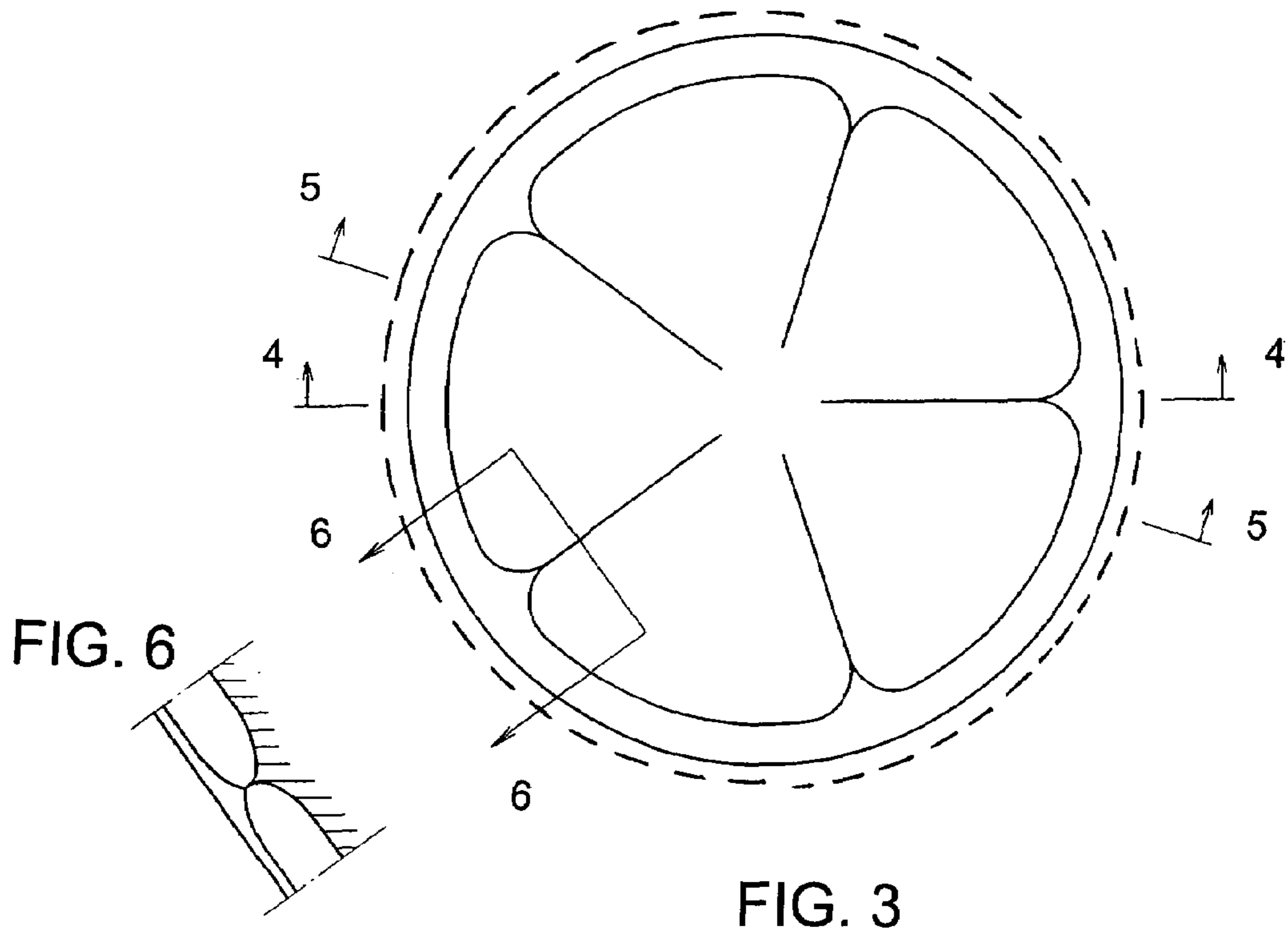


FIG. 4



FIG. 5

