

US00D546909S

(12) **United States Design Patent** (10) **Patent No.:** **US D546,909 S**
Flick (45) **Date of Patent:** **** Jul. 17, 2007**

(54) **TREADMILL UPRIGHT**
(75) Inventor: **Edward L. Flick**, Denver, CO (US)
(73) Assignee: **Nautilus, Inc.**, Vancouver, WA (US)
(**) Term: **14 Years**

D416,596 S 11/1999 Armstrong
D421,779 S * 3/2000 Piaget et al. D21/669
D424,137 S * 5/2000 Barker et al. D21/669
6,132,340 A 10/2000 Wang et al.
6,135,925 A * 10/2000 Liu 482/54
6,190,289 B1 2/2001 Pyles et al.
D445,152 S 7/2001 Wang et al.

(21) Appl. No.: **29/211,459**

(Continued)

(22) Filed: **Aug. 16, 2004**

FOREIGN PATENT DOCUMENTS

(51) **LOC (8) Cl.** **21-02**
(52) **U.S. Cl.** **D21/694**
(58) **Field of Classification Search** D21/662,
D21/668, 669, 670, 694, 696; 482/51, 52,
482/54, 70, 71

GB 2 152 825 A 8/1985
WO WO 00/30717 A1 6/2000

See application file for complete search history.

OTHER PUBLICATIONS

“Nautilus Home Health & Fitness Catalog”, Nautilus, Inc., at least pp. 1, 5-7, 11, 15 and 54 (2004), at least the U.S.

(56) **References Cited**

Primary Examiner—Philip S. Hyder
(74) *Attorney, Agent, or Firm*—Dorsey & Whitney LLP

U.S. PATENT DOCUMENTS

(57) **CLAIM**

4,364,556 A 12/1982 Otte
4,616,822 A 10/1986 Trulaske et al.
4,844,449 A 7/1989 Trulaske
4,886,266 A 12/1989 Trulaske
4,913,396 A 4/1990 Dalebout et al.
4,974,831 A 12/1990 Dunham
5,000,440 A 3/1991 Lynch
D321,388 S 11/1991 Dalebout
D321,734 S 11/1991 Dunham et al.
5,114,388 A 5/1992 Trulaske
5,149,084 A 9/1992 Dalebout et al.
5,226,866 A 7/1993 Engel et al.
5,382,207 A 1/1995 Skowronski et al.
RE34,959 E 5/1995 Potts
5,441,468 A 8/1995 Deckers et al.
5,462,504 A 10/1995 Trulaske et al.
5,476,430 A 12/1995 Lee et al.
D373,805 S 9/1996 Rawls et al.
5,649,882 A 7/1997 Parikh et al.
5,741,205 A 4/1998 Doll et al.
5,749,807 A 5/1998 Webb
5,855,537 A 1/1999 Coody et al.
D406,621 S * 3/1999 Piaget D21/669
5,910,072 A 6/1999 Rawls et al.
D412,953 S * 8/1999 Armstrong D21/694

The ornamental design for a treadmill upright, as shown and described.

DESCRIPTION

FIG. 1 is an outside isometric view of the treadmill upright in accordance with the present invention, with a treadmill shown in phantom line and not forming any part of the claimed invention;

FIG. 2 is a top plan view thereof;

FIG. 3 is an outside side view thereof;

FIG. 4 is a bottom plan view thereof;

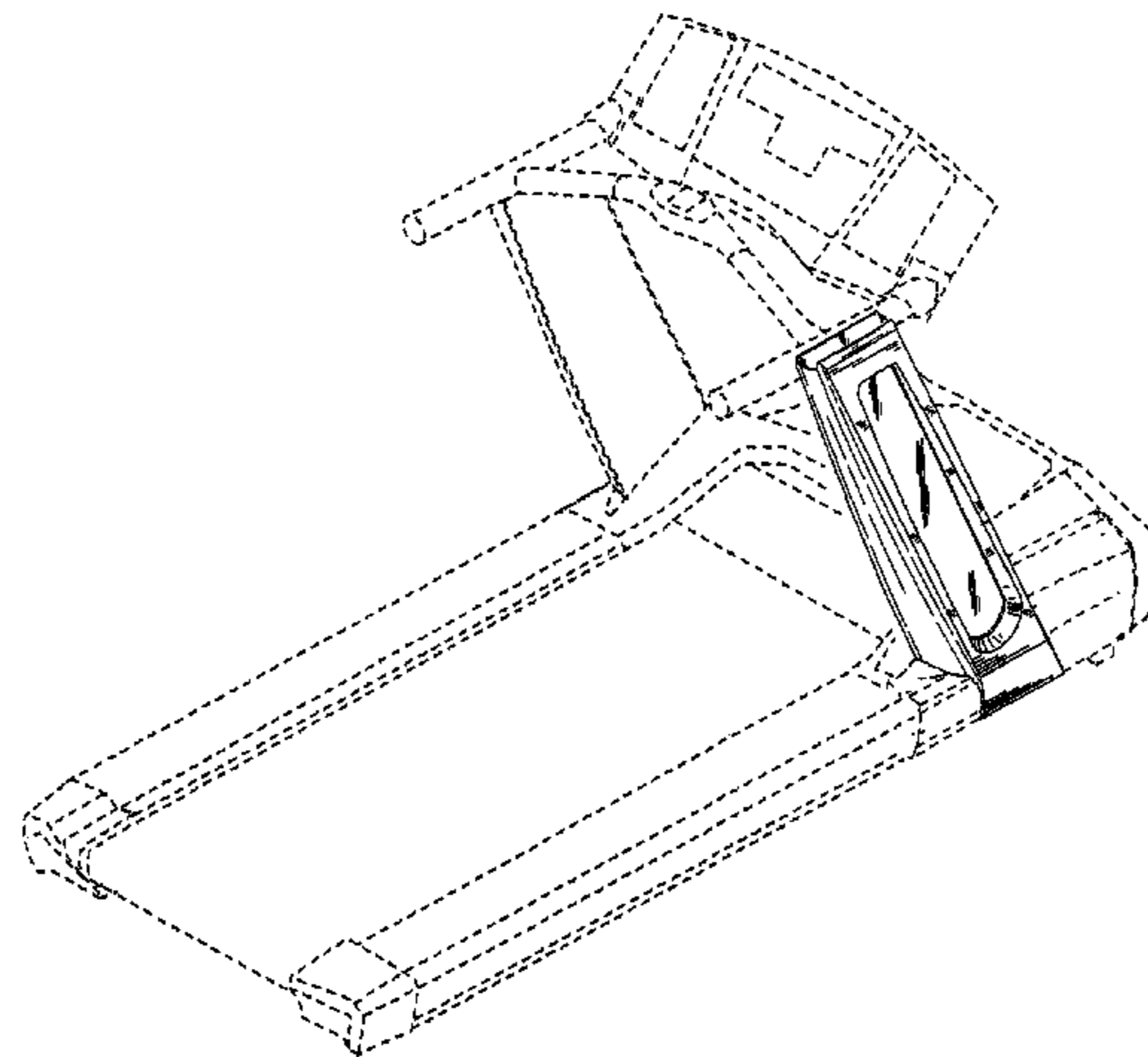
FIG. 5 is a front plan view thereof;

FIG. 6 is an inside side view thereof; and,

FIG. 7 is a rear plan view thereof.

The broken line showing of the treadmill is for illustrative purposes only and forms no part of the claimed design.

1 Claim, 3 Drawing Sheets



US D546,909 S

Page 2

U.S. PATENT DOCUMENTS

6,261,209 B1	7/2001	Coody		D482,085 S *	11/2003	Eyler et al.	D21/694
D450,792 S *	11/2001	Kuo	D21/669	6,730,002 B2	5/2004	Hald et al.		
6,461,279 B1	10/2002	Kuo		2004/0192514 A1	9/2004	Piaget et al.		
6,471,622 B1	10/2002	Hammer et al.		2004/0214693 A1	10/2004	Piaget et al.		
6,572,512 B2	6/2003	Anderson et al.		2005/0037898 A1	2/2005	Chang		

* cited by examiner

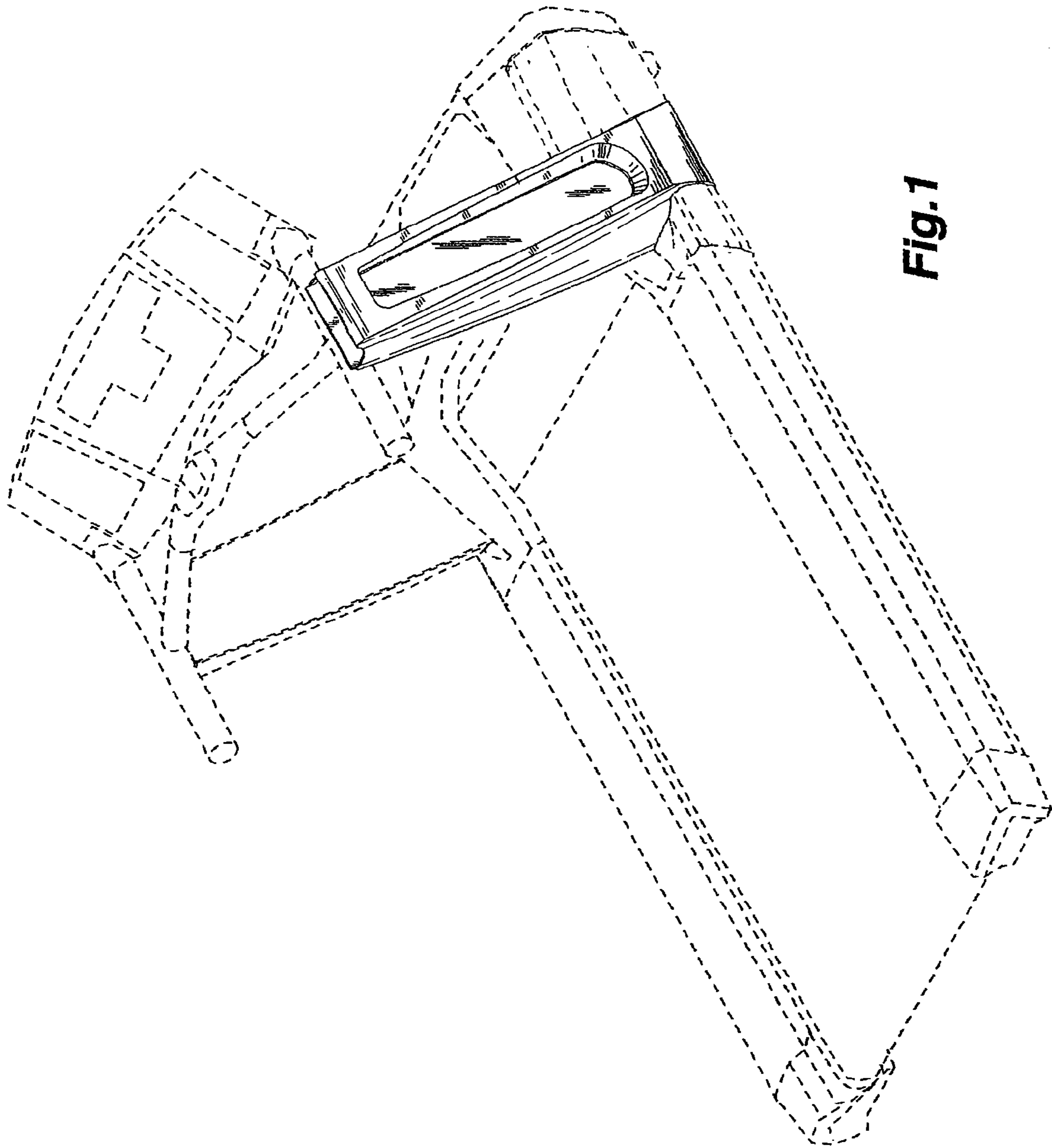


Fig. 1

Fig. 2

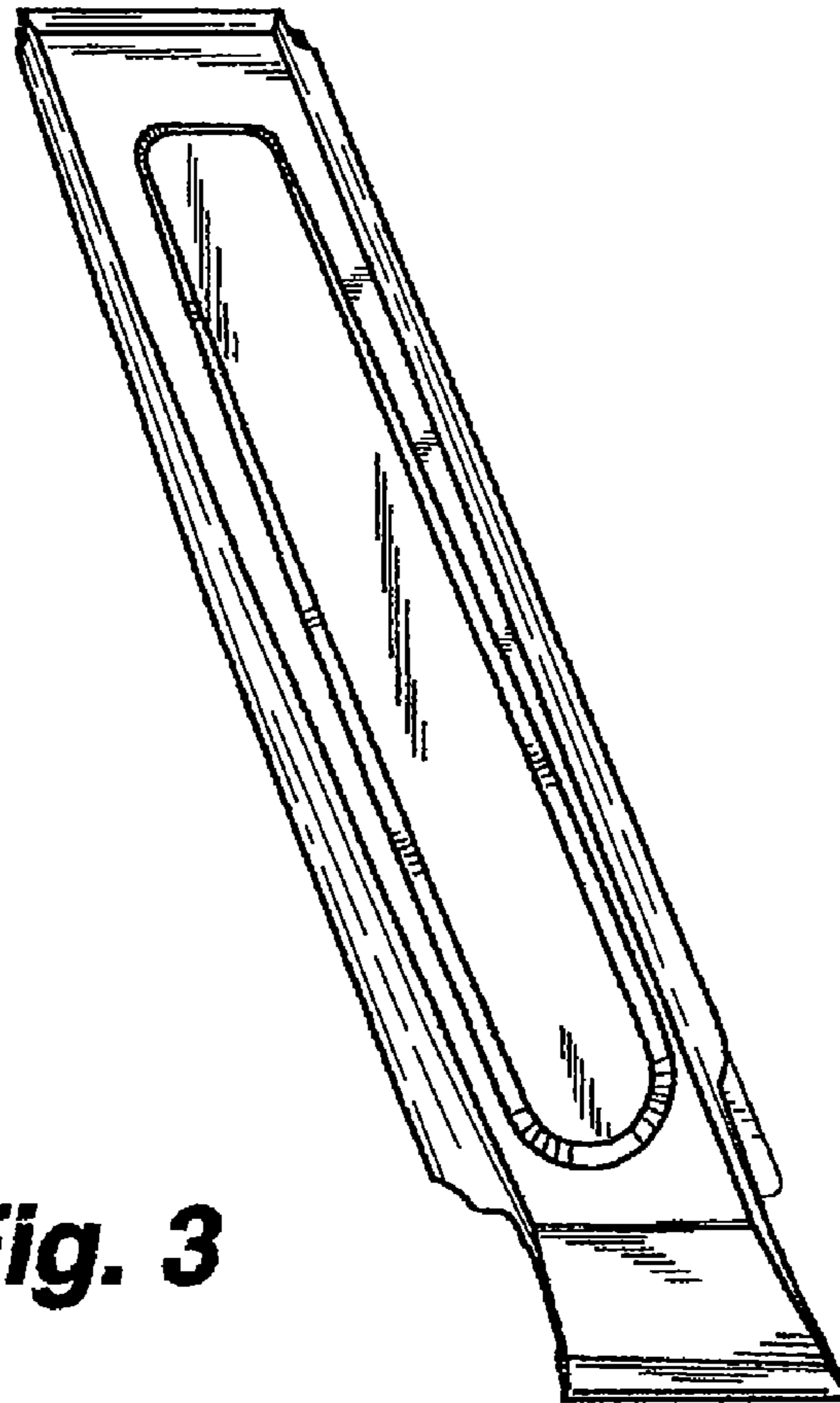
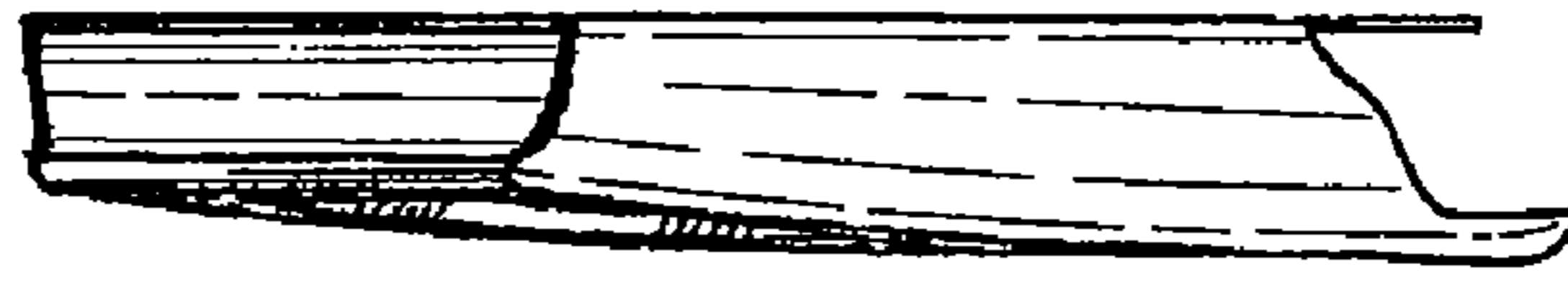


Fig. 3

Fig. 4



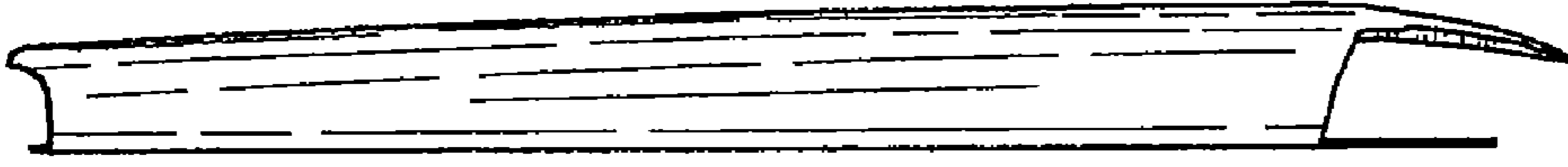


Fig. 5

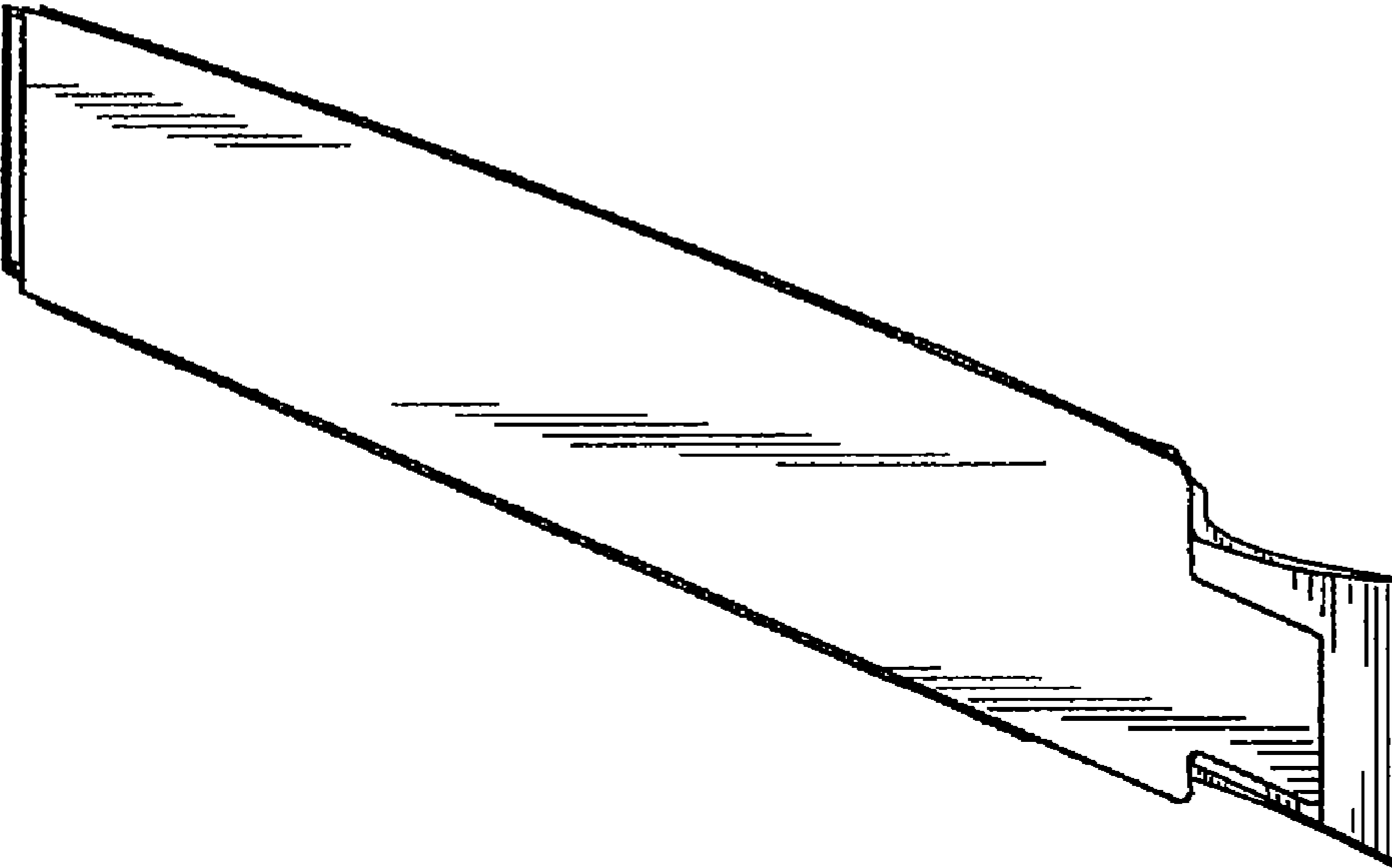


Fig. 6

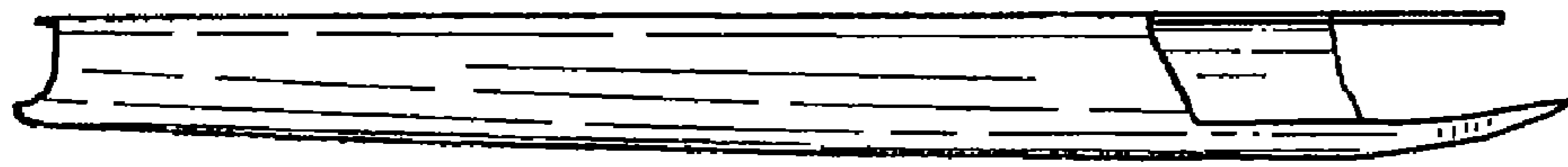


Fig. 7