



US00D546908S

(12) **United States Design Patent**  
**Lien**

(10) **Patent No.:** **US D546,908 S**

(45) **Date of Patent:** **\*\* Jul. 17, 2007**

(54) **DUMBBELL**

(75) Inventor: **Louis Lien**, Houston, TX (US)

(73) Assignee: **USA Sports, Inc.**, Houston, TX (US)

(\*\*) Term: **14 Years**

(21) Appl. No.: **29/245,070**

(22) Filed: **Dec. 15, 2005**

(51) **LOC (8) Cl.** ..... **21-02**

(52) **U.S. Cl.** ..... **D21/681**

(58) **Field of Classification Search** ..... D21/680,  
D21/681, 682, 683, 684; 482/105, 106, 107,  
482/108

See application file for complete search history.

(56) **References Cited**

**U.S. PATENT DOCUMENTS**

D409,266 S \* 5/1999 Rojas et al. .... D21/681  
6,099,443 A \* 8/2000 Landfair ..... 482/108  
6,120,420 A \* 9/2000 Pearson et al. .... 482/108  
D444,516 S \* 7/2001 Pearson et al. .... D21/681

D496,414 S \* 9/2004 Harms et al. .... D21/681  
D504,923 S \* 5/2005 Harms et al. .... D21/681  
7,048,678 B2 \* 5/2006 Harms et al. .... 482/107

\* cited by examiner

*Primary Examiner*—Philip S. Hyder

(74) *Attorney, Agent, or Firm*—Nick A. Nichols, Jr.

(57) **CLAIM**

The ornamental design for a dumbbell, as shown and described.

**DESCRIPTION**

FIG. 1 is a perspective view of a dumbbell showing my new design;

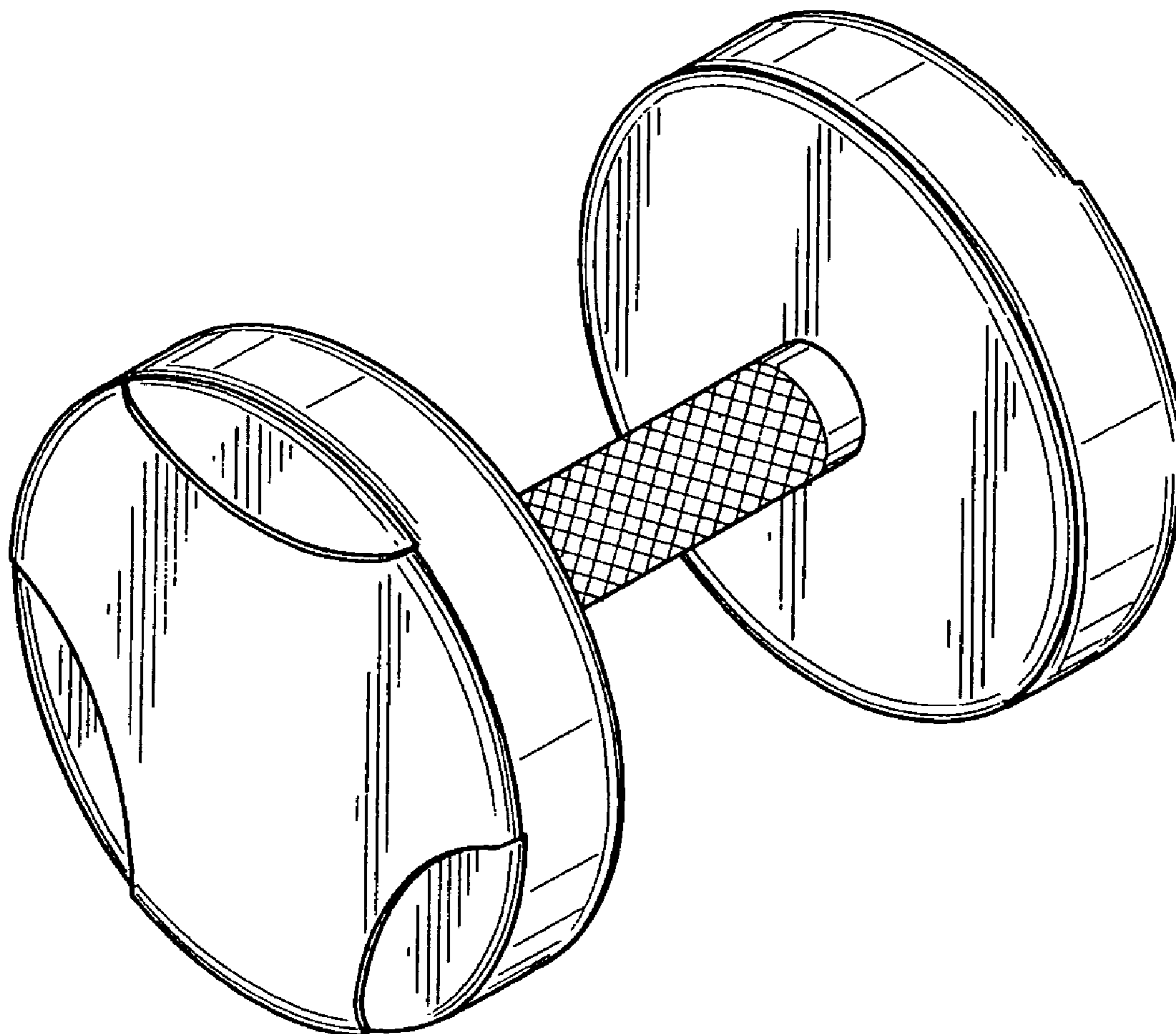
FIG. 2 is a side view thereof, the opposite side being a mirror image;

FIG. 3 is a top view thereof;

FIG. 4 is an end view thereof, the opposite side being a mirror image; and,

FIG. 5 is a bottom view thereof.

**1 Claim, 2 Drawing Sheets**



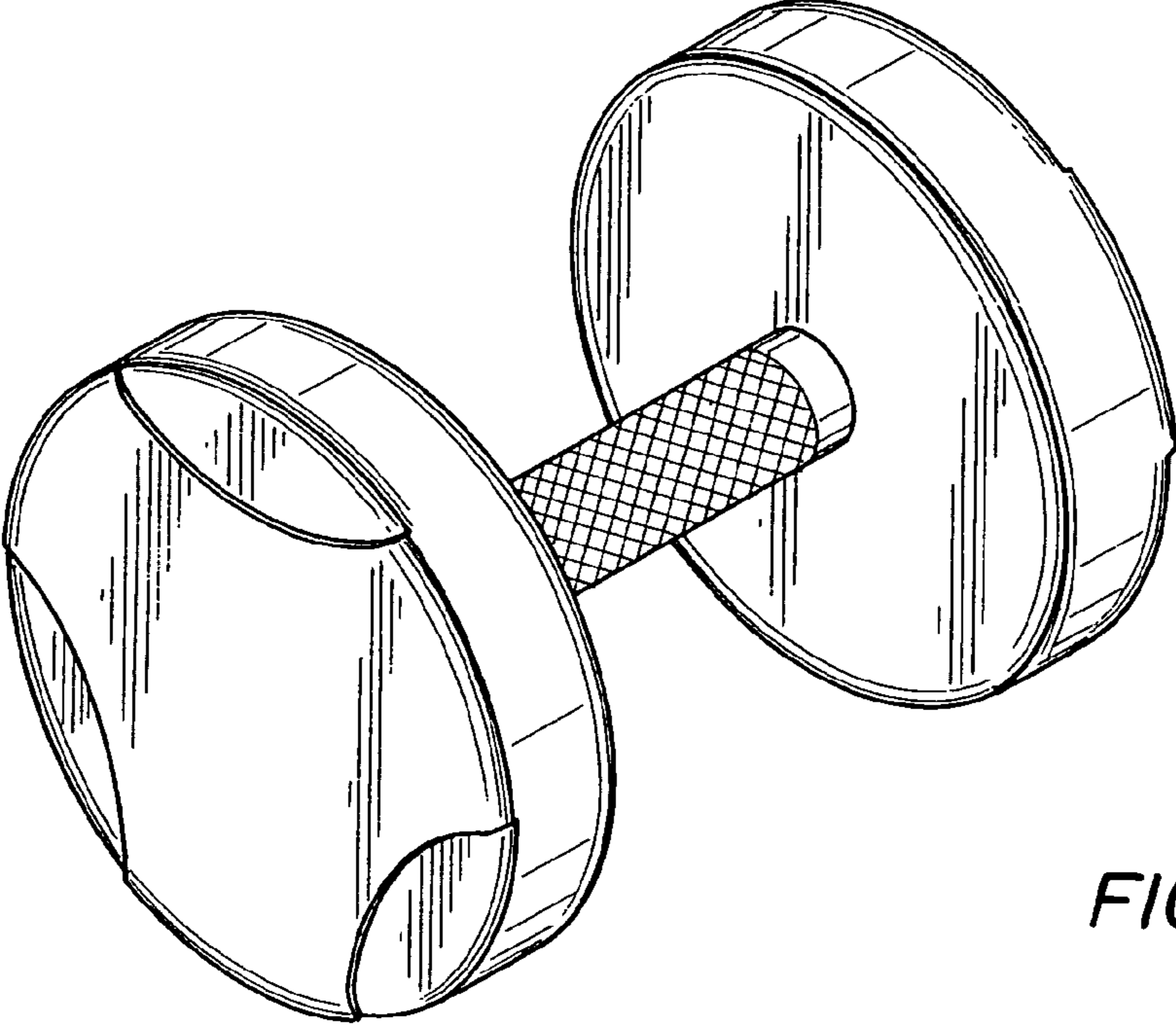


FIG. 1

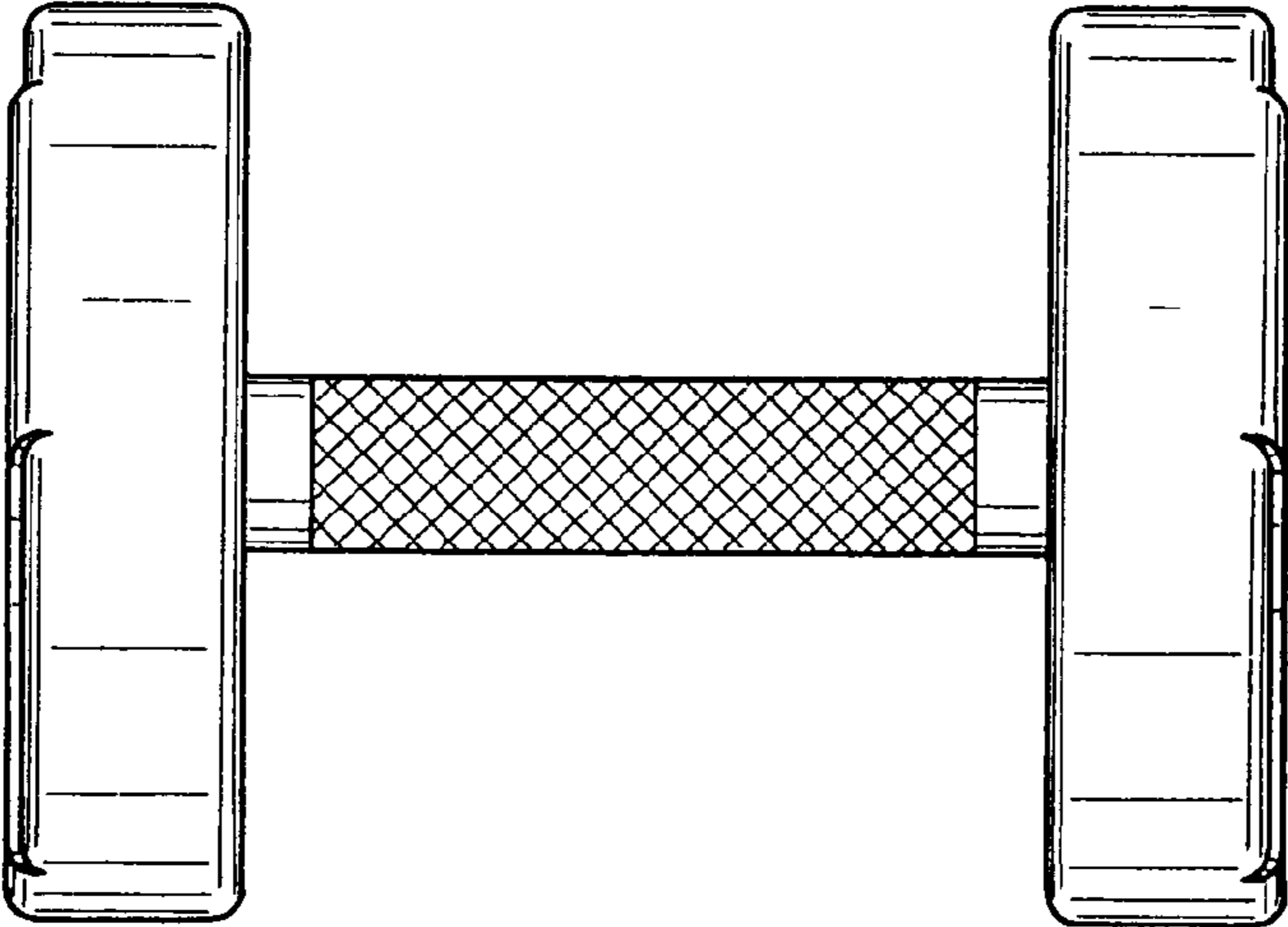
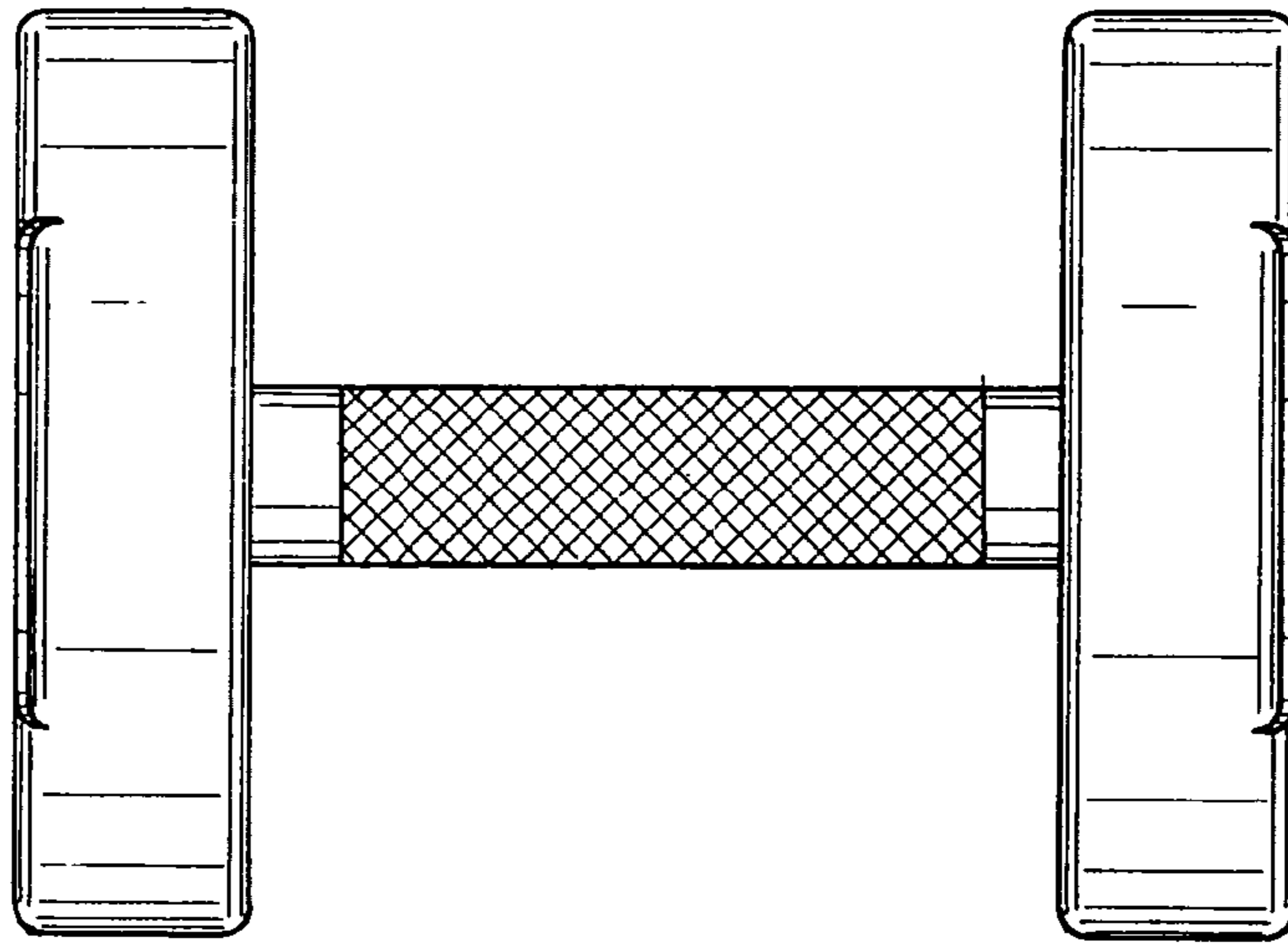
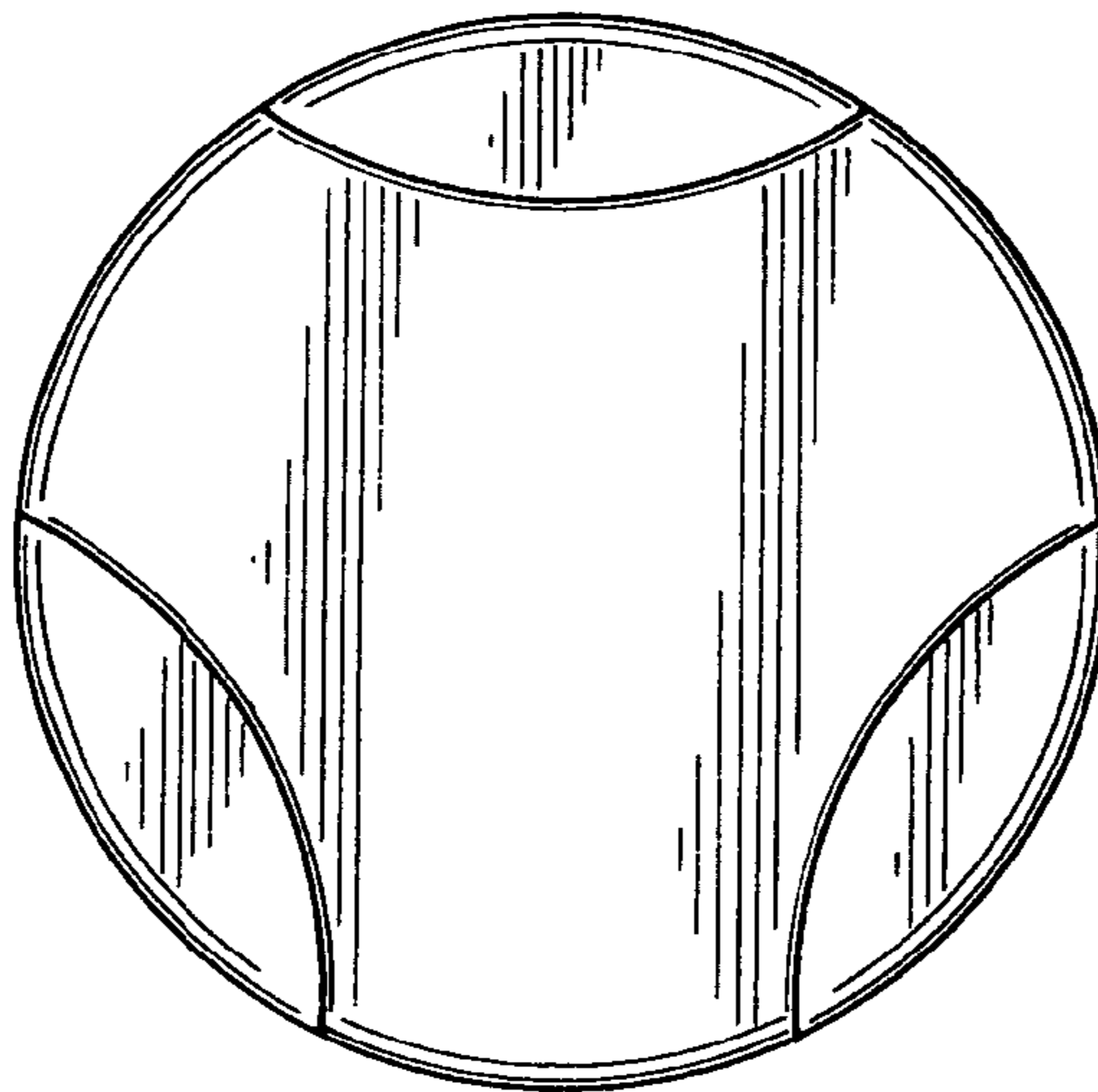


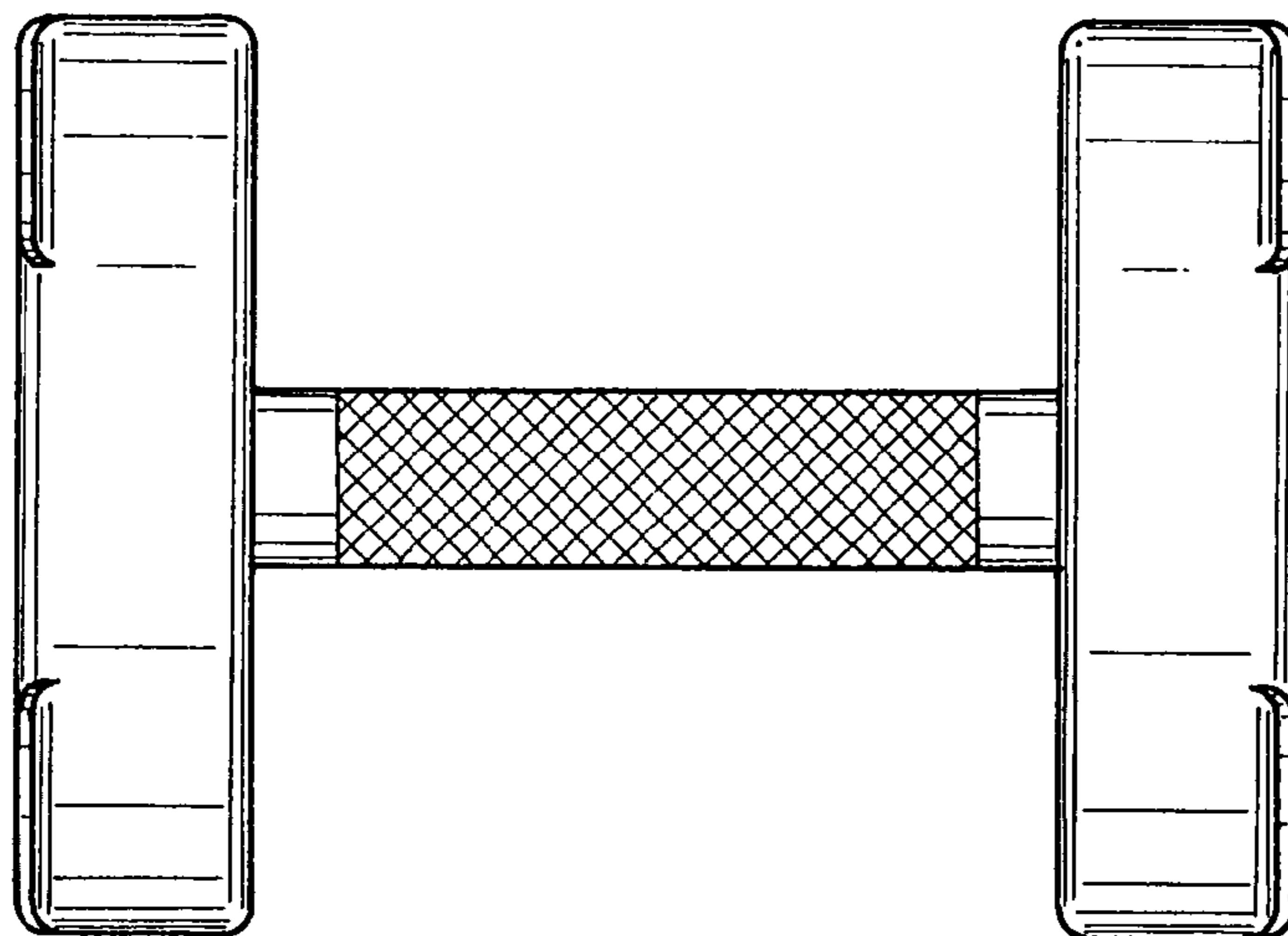
FIG. 2



*FIG. 3*



*FIG. 4*



*FIG. 5*