

US00D546905S

(12) **United States Design Patent** (10) **Patent No.:** **US D546,905 S**  
**Arai et al.** (45) **Date of Patent:** **\*\* Jul. 17, 2007**

(54) **RADIO REMOTE CONTROL UNIT**

(75) Inventors: **Masahiro Arai**, Chiba (JP); **Takahiro Isono**, Chiba (JP); **Masahiro Tanaka**, Chiba (JP)

(73) Assignee: **Futaba Corporation**, Chiba-ken (JP)

(\*\*) Term: **14 Years**

(21) Appl. No.: **29/260,558**

(22) Filed: **May 26, 2006**

(30) **Foreign Application Priority Data**

Nov. 30, 2005 (JP) ..... 2005-038429

(51) **LOC (8) Cl.** ..... **21-01**

(52) **U.S. Cl.** ..... **D21/566**

(58) **Field of Classification Search** ..... D21/566,  
D21/331, 324, 333; D14/217, 218, 400,  
D14/401; D13/168; 463/6, 7, 37-39, 46,  
463/47; 446/454-456

See application file for complete search history.

(56) **References Cited**

**U.S. PATENT DOCUMENTS**

4,552,360 A	11/1985	Bromley et al.	
D283,718 S	5/1986	Kondo	
D302,446 S	7/1989	Cheng	
4,882,942 A	11/1989	Hamilton	
D313,439 S	1/1991	Kohno	
D322,297 S *	12/1991	Kohno	D21/566
5,158,495 A	10/1992	Yonezawa	
D342,297 S *	12/1993	Kouno	D21/566
D344,553 S *	2/1994	Arai	D21/566
5,334,076 A	8/1994	Shinozuka	
D374,694 S *	10/1996	Arai	D21/566
D389,529 S	1/1998	Hayami	
D390,613 S	2/1998	Kanetsuna et al.	
D395,472 S *	6/1998	Kanetsuna et al.	D21/566
D397,169 S *	8/1998	Kanetsuna et al.	D21/453
D411,265 S	6/1999	Kanetsuna et al.	

D447,778 S *	9/2001	Bao	D21/566
D449,347 S	10/2001	Christianson	
6,342,010 B1	1/2002	Slifer	
D464,684 S	10/2002	Arai et al.	
D471,603 S *	3/2003	Morita et al.	D21/566
D478,638 S	8/2003	Mukaida	
D480,117 S	9/2003	Mukaida	
6,620,022 B1	9/2003	Smith et al.	
D481,080 S	10/2003	Arai et al.	
D502,968 S	3/2005	Takahashi et al.	
D503,199 S	3/2005	Wei	
D503,439 S	3/2005	Galletti	
6,893,320 B2	5/2005	Caiozza	
D514,172 S *	1/2006	Jinno et al.	D21/566
D517,129 S *	3/2006	Yamamoto et al.	D21/566
D521,573 S *	5/2006	Jinno et al.	D21/566
D524,382 S	7/2006	Morita et al.	
D525,320 S	7/2006	Noguchi	

\* cited by examiner

*Primary Examiner*—Holly H. Baynham  
*Assistant Examiner*—Cynthia M. Chin  
(74) *Attorney, Agent, or Firm*—Quarles & Brady LLP

(57) **CLAIM**

We claim the ornamental design for a radio remote control unit, as shown and described.

**DESCRIPTION**

FIG. 1 is a front side perspective view of a radio remote control unit showing our new design;  
FIG. 2 is a rear side perspective view thereof;  
FIG. 3 is a front elevational view thereof;  
FIG. 4 is a rear elevational view thereof;  
FIG. 5 is a right side elevational view thereof;  
FIG. 6 is a left side elevational view thereof;  
FIG. 7 is a top plan view thereof; and,  
FIG. 8 is a bottom plan view thereof.

**1 Claim, 8 Drawing Sheets**

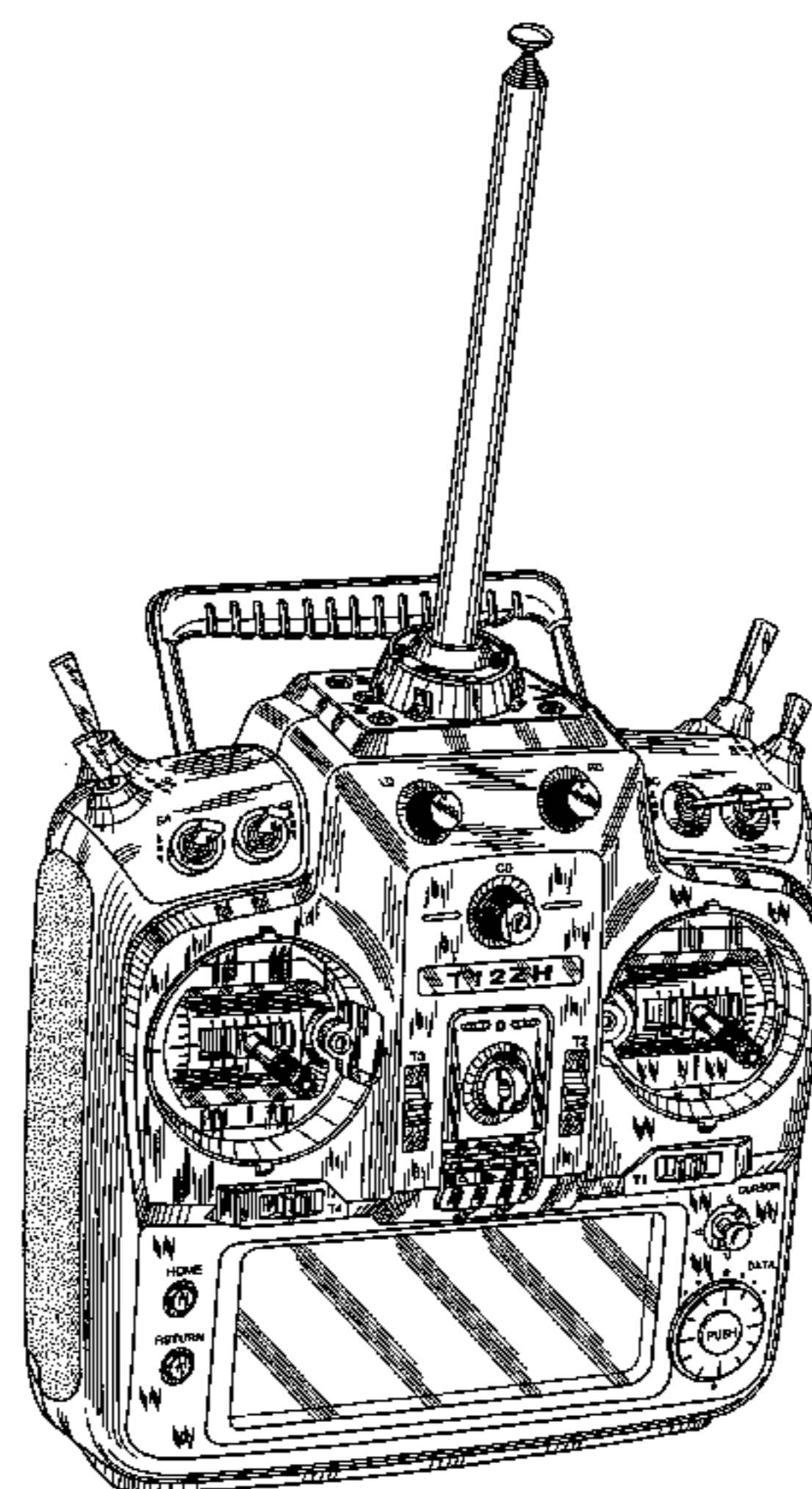


FIG.1

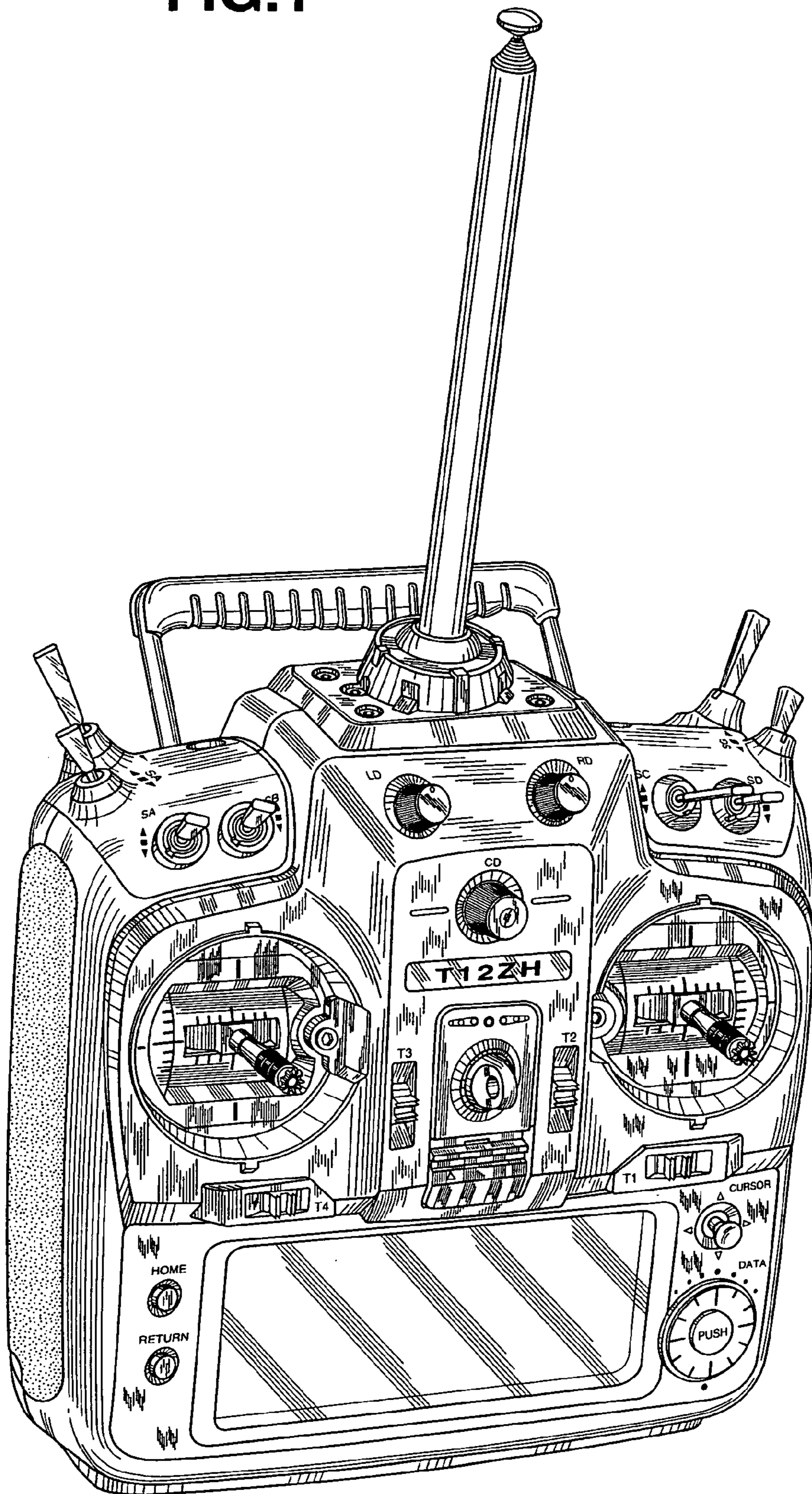


FIG.2

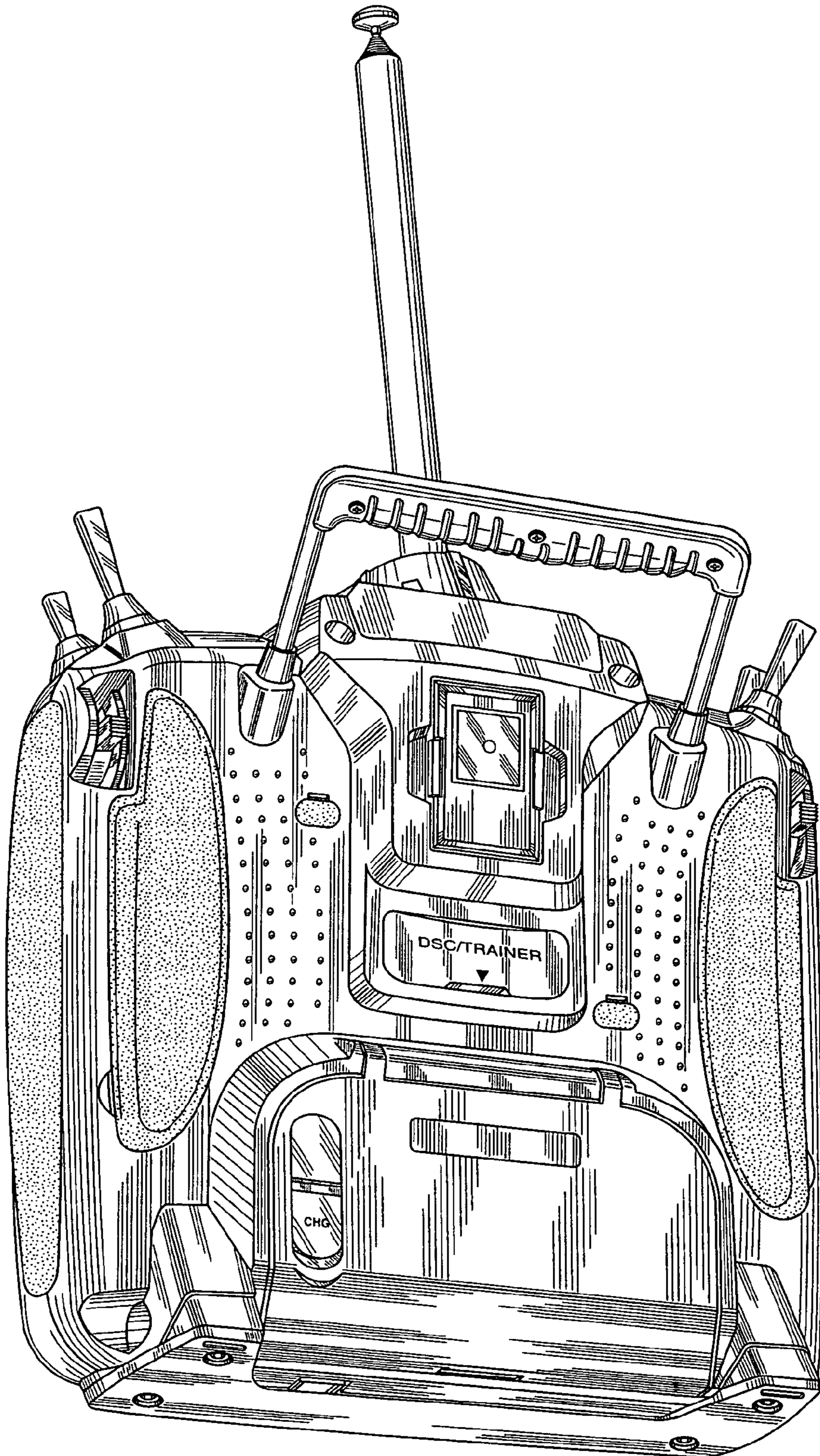


FIG.3

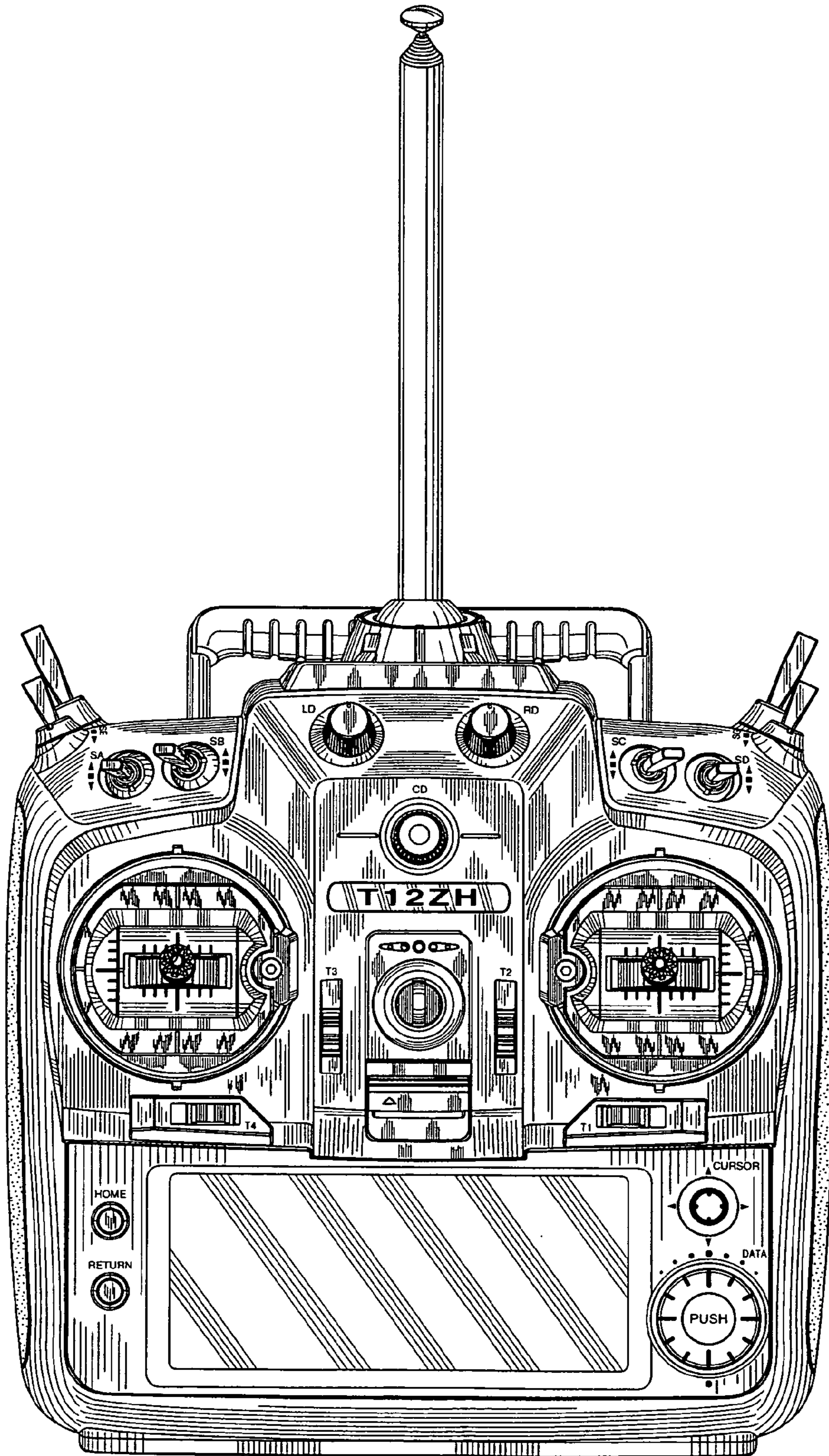
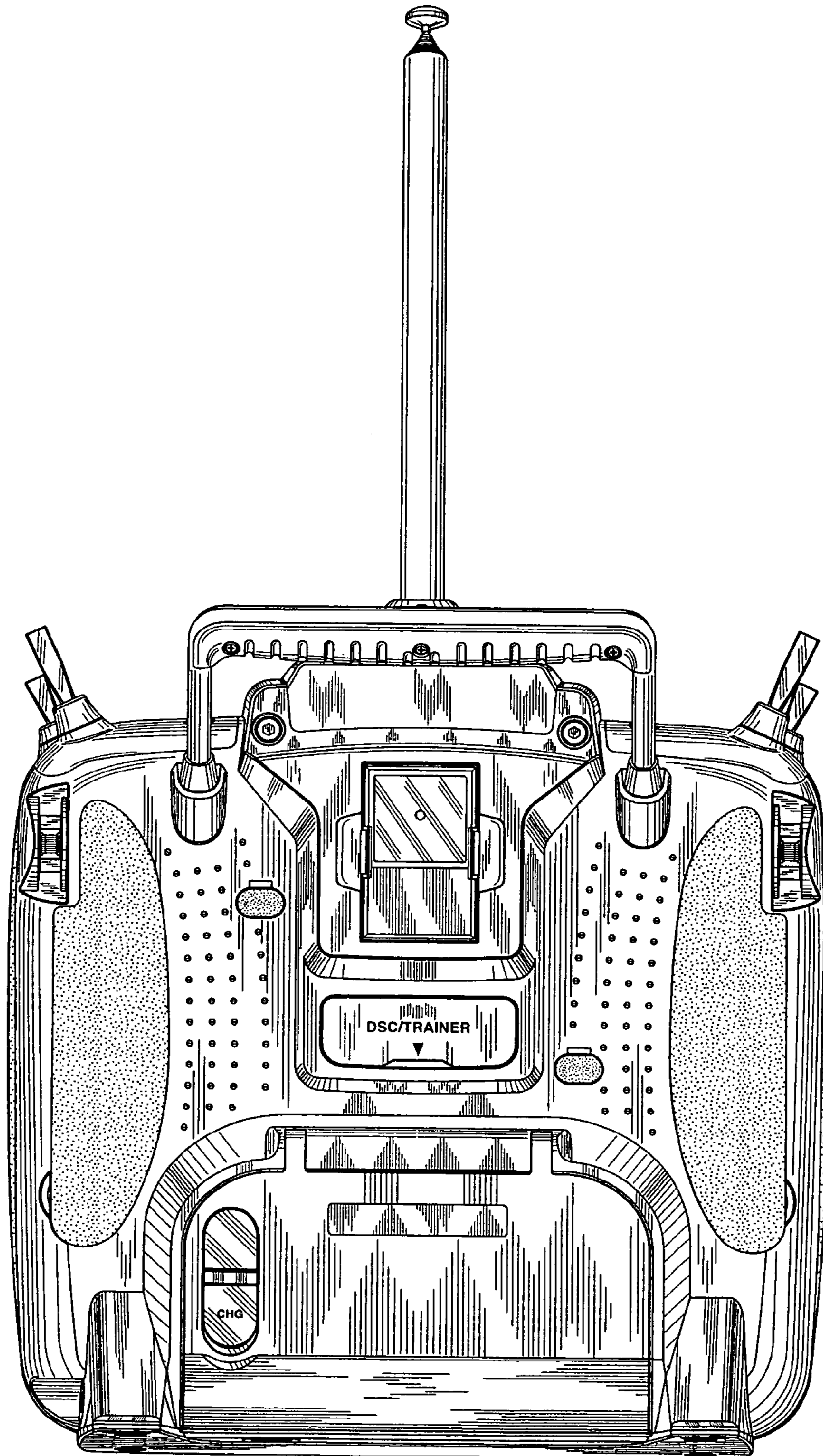
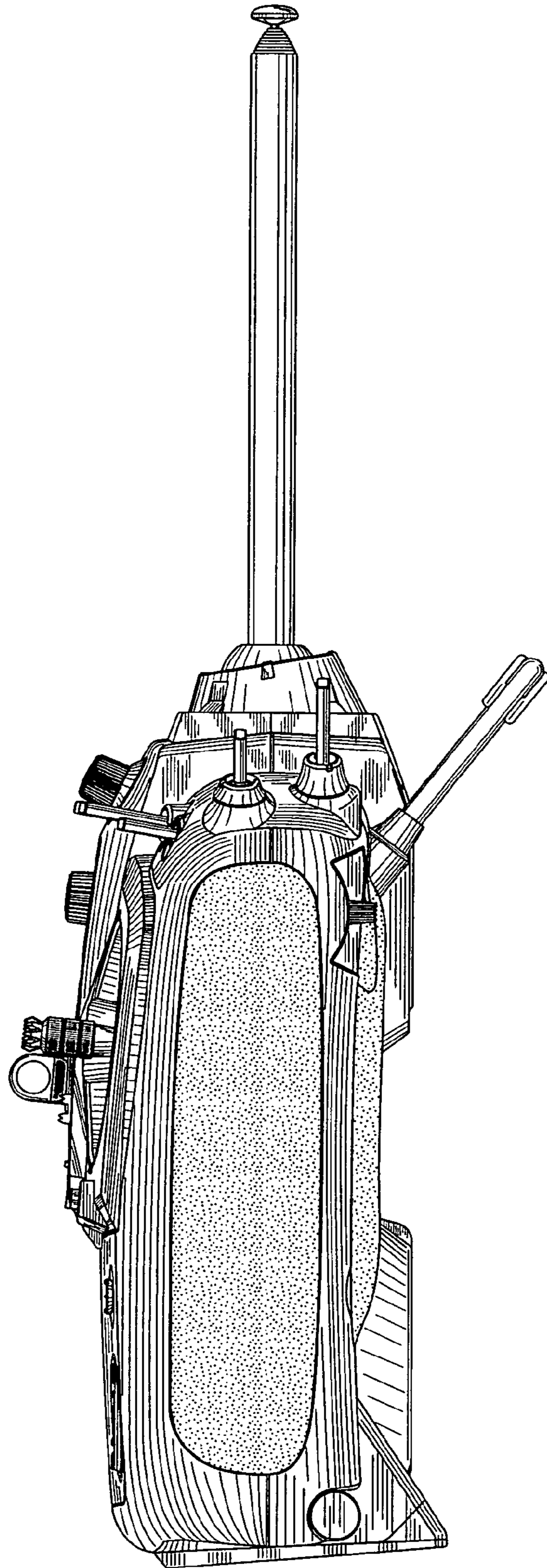


FIG.4



**FIG.5**



**FIG.6**

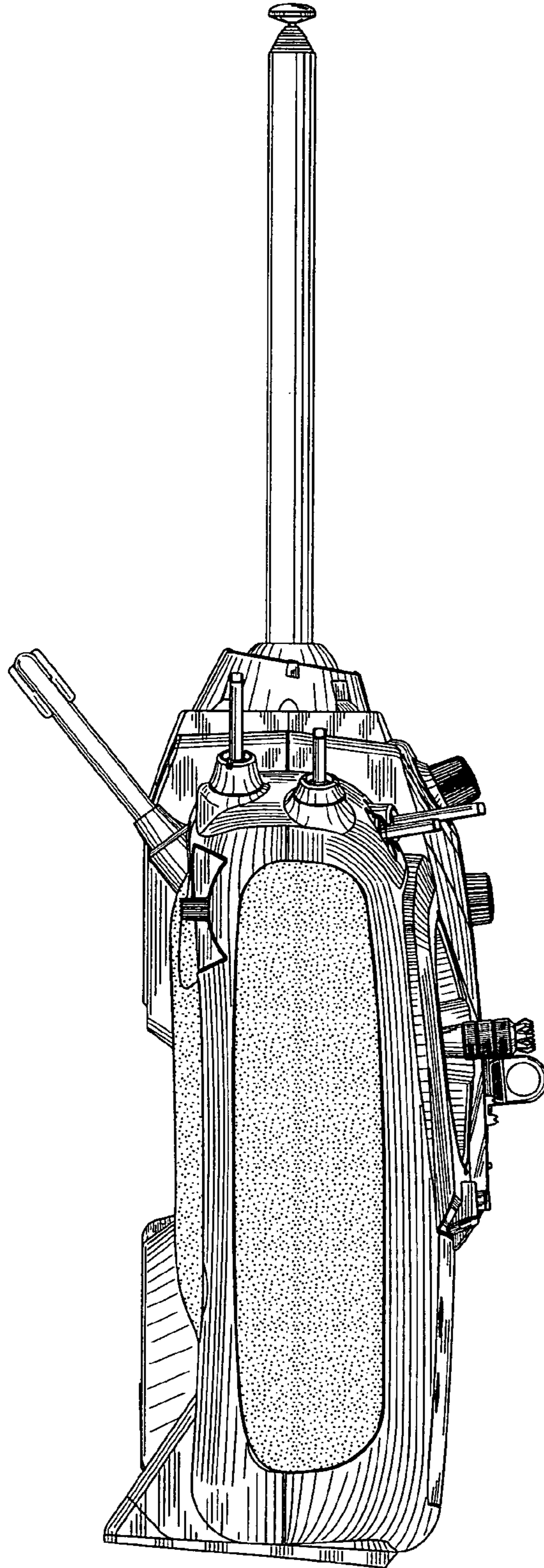


FIG.7

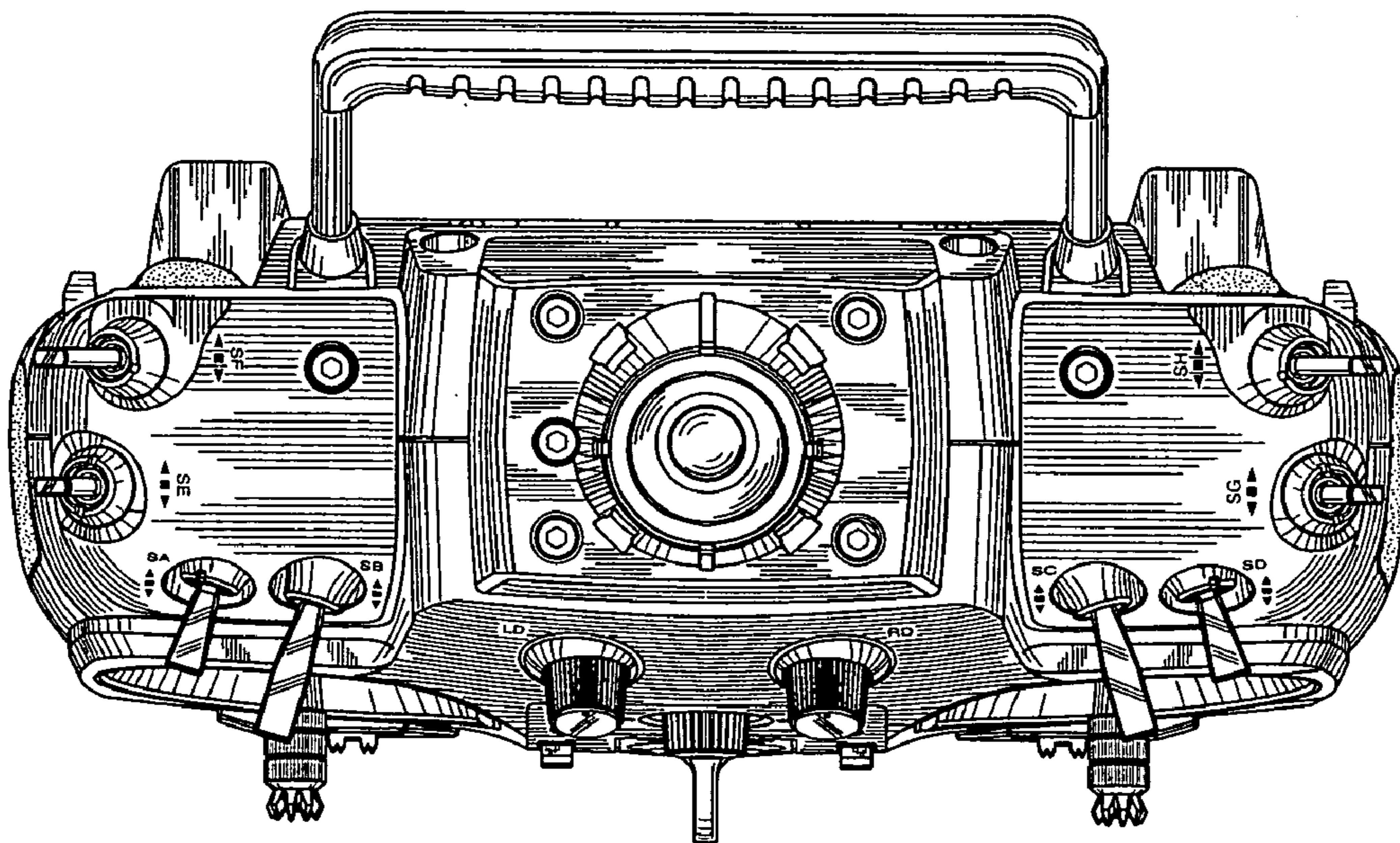




FIG.8

