

US00D546904S

(12) **United States Design Patent**
Bowen et al.

(10) **Patent No.:** **US D546,904 S**

(45) **Date of Patent:** **** Jul. 17, 2007**

(54) **TOY REMOTE CONTROLLER**

(75) Inventors: **David S. Bowen**, Fort Collins, CO
(US); **Paulo Kang**, Pasadena, CA (US)

(73) Assignee: **Mattel, Inc.**, El Segundo, CA (US)

(**) Term: **14 Years**

(21) Appl. No.: **29/247,066**

(22) Filed: **May 26, 2006**

Related U.S. Application Data

(63) Continuation-in-part of application No. 29/253,166,
filed on Jan. 31, 2006.

(51) **LOC (8) Cl.** **21-01**

(52) **U.S. Cl.** **D21/566**

(58) **Field of Classification Search** D21/566,
D21/331, 324, 333; D14/217, 218, 400,
D14/401; D13/168; 463/6, 7, 37-39, 46,
463/47; 446/454-456

See application file for complete search history.

(56) **References Cited**

U.S. PATENT DOCUMENTS

D374,694 S * 10/1996 Arai D21/566

D405,780 S * 2/1999 Smith D14/401
D408,394 S * 4/1999 Chin et al. D14/401
D478,589 S * 8/2003 Hussaini et al. D14/401
D478,590 S * 8/2003 Hussaini et al. D14/401

* cited by examiner

Primary Examiner—Holly H. Baynham

Assistant Examiner—Cynthia M. Chin

(74) *Attorney, Agent, or Firm*—Akin Gump Strauss Hauer &
Feld LLP

(57) **CLAIM**

The ornamental design for a toy remote controller, as shown
and described.

DESCRIPTION

FIG. 1 is a perspective view of the top, rear and right side of
a toy remote controller according to our new design;

FIG. 2 is a top plan view thereof;

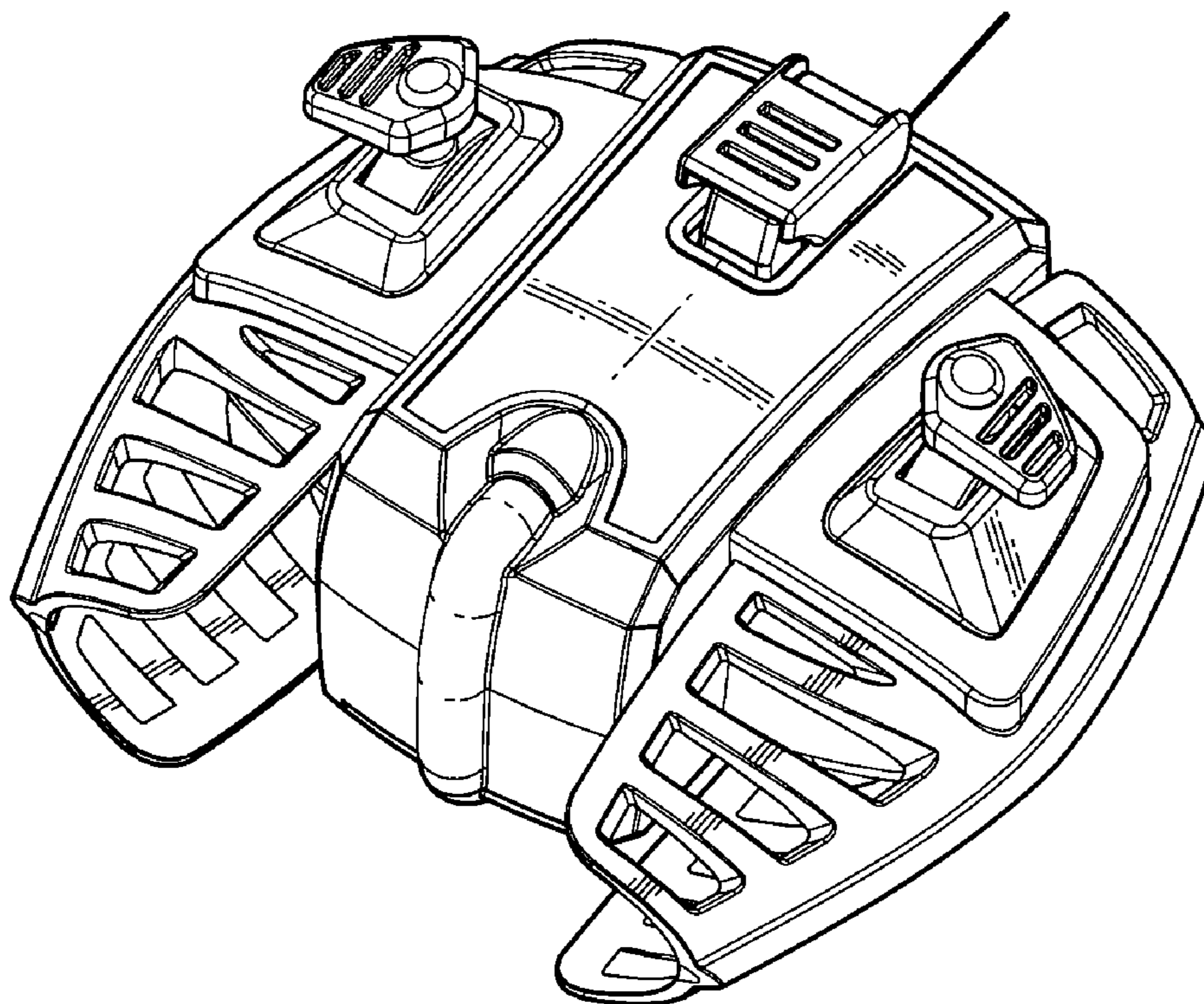
FIG. 3 is a bottom plan view thereof;

FIG. 4 is a front elevation view thereof;

FIG. 5 is a rear elevation view thereof; and,

FIG. 6 is an elevation view of a left side thereof, the right
side being a mirror image thereof.

1 Claim, 5 Drawing Sheets



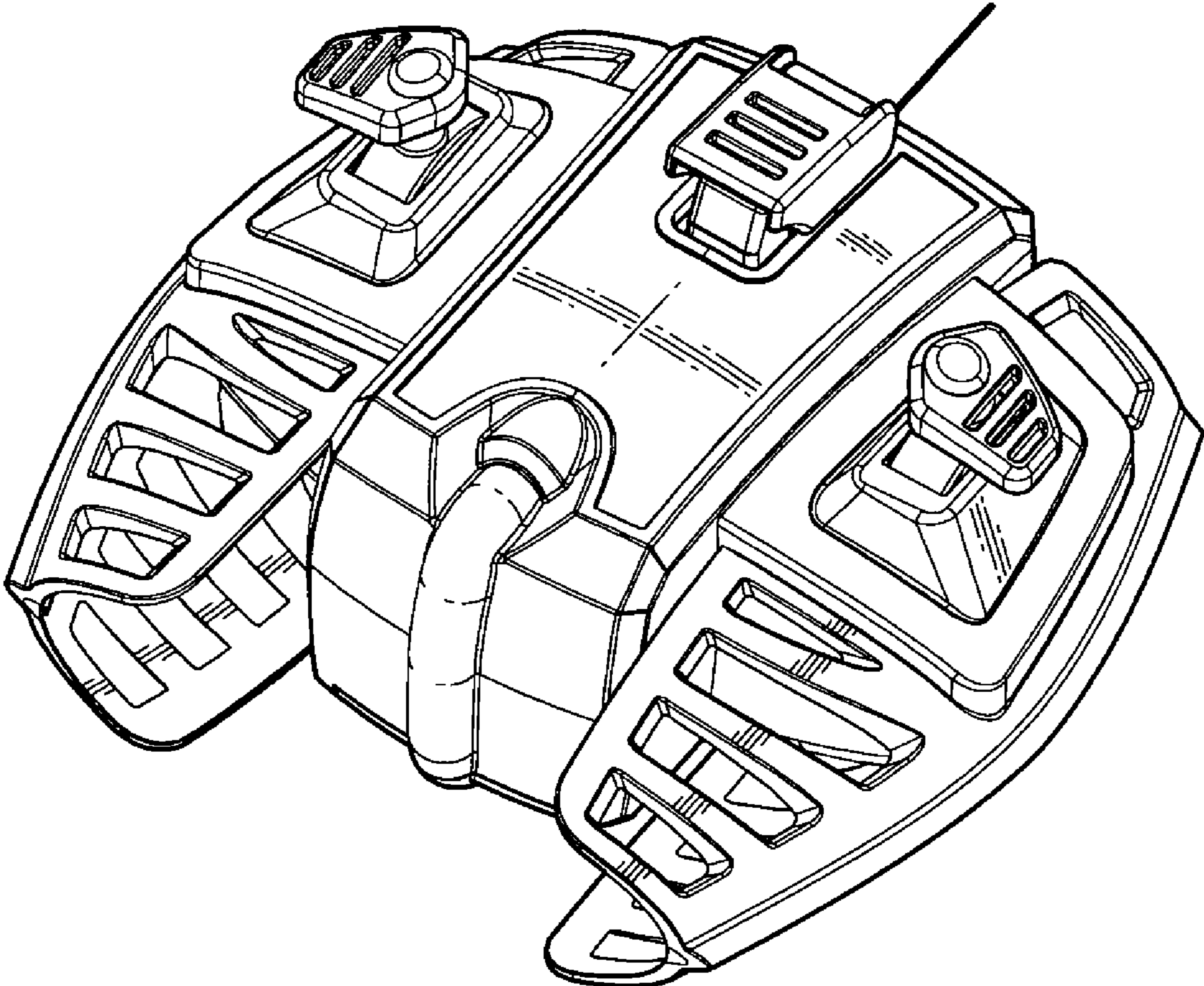


FIGURE 1

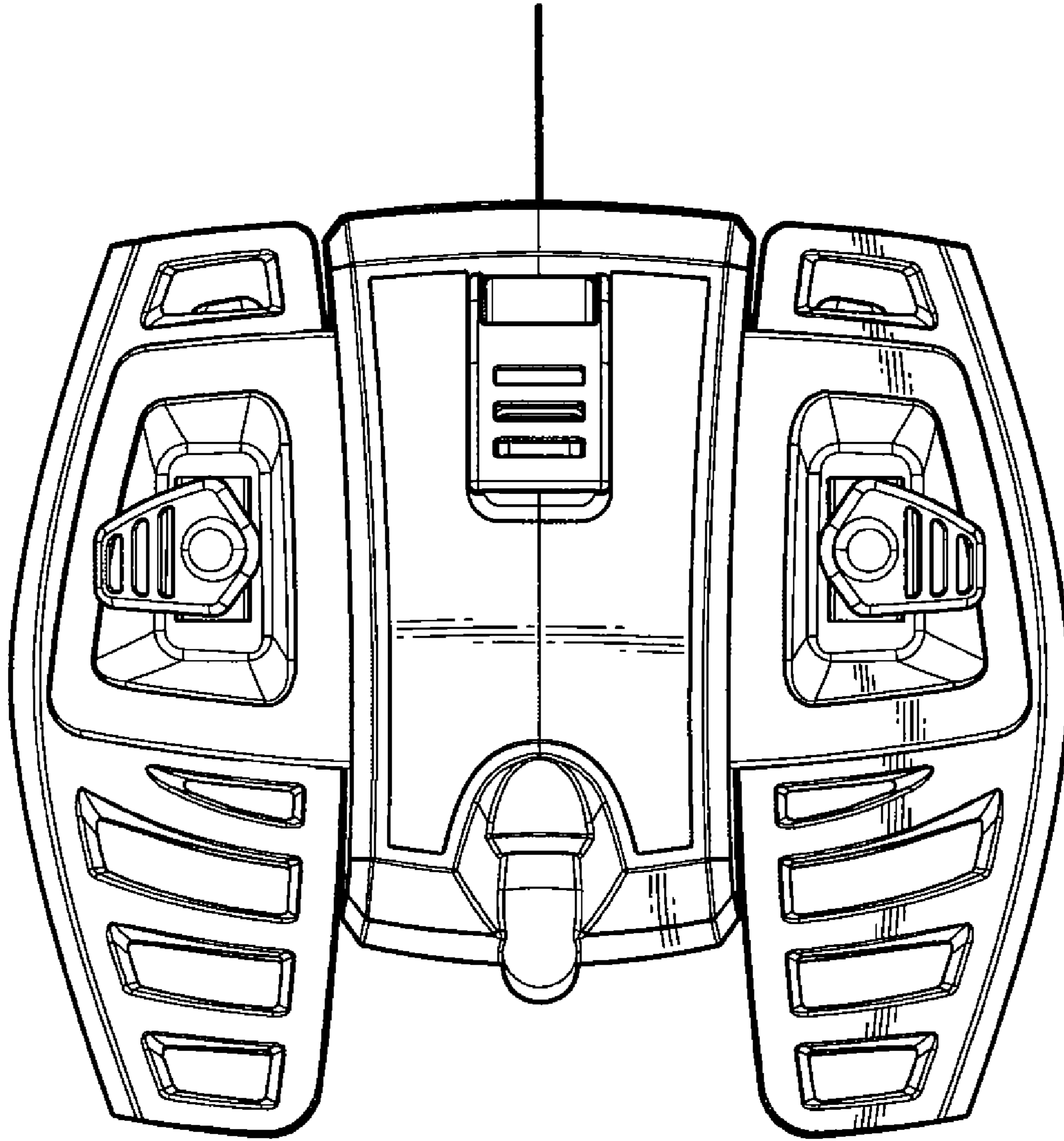


FIGURE 2

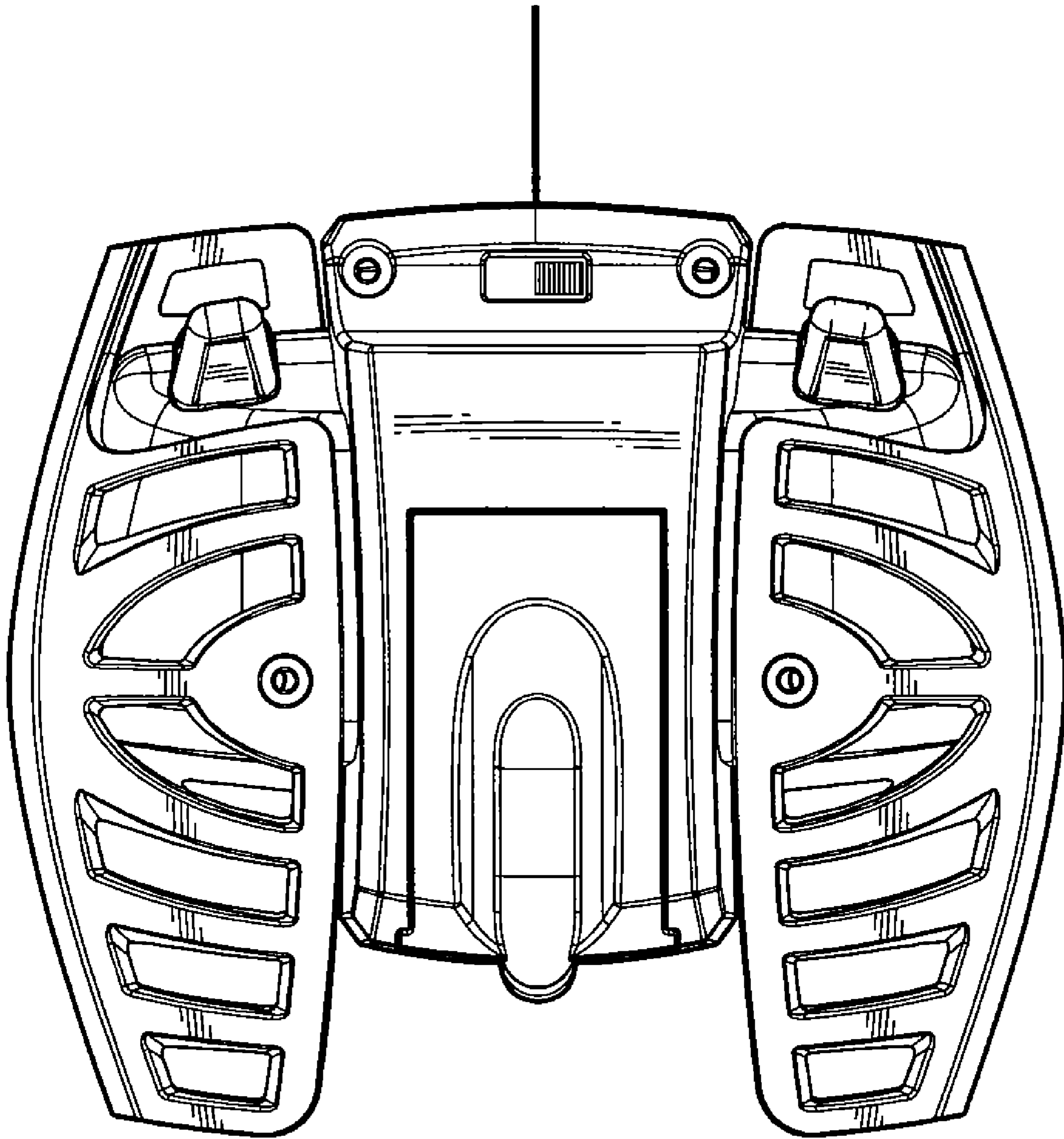


FIGURE 3

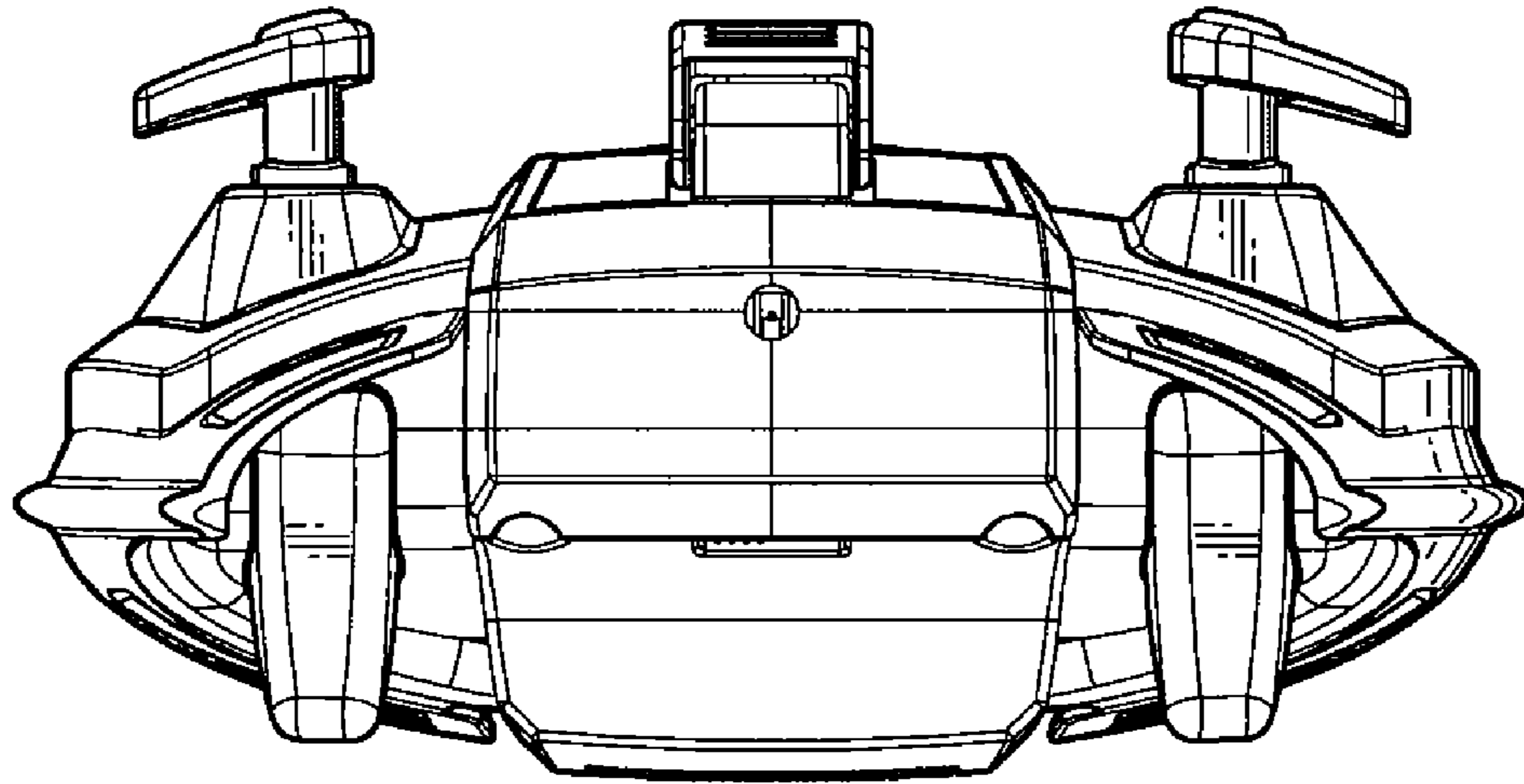


FIGURE 4

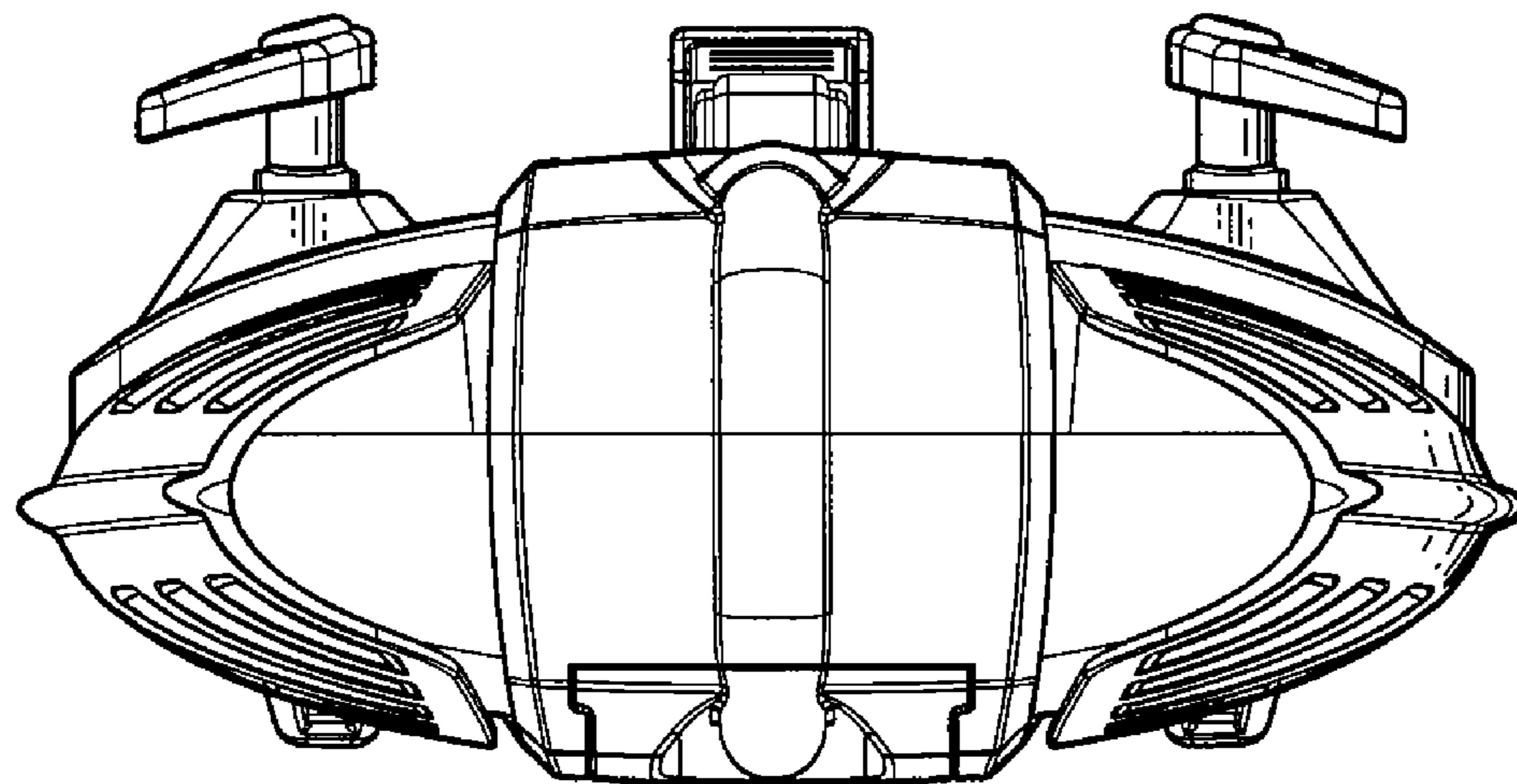


FIGURE 5

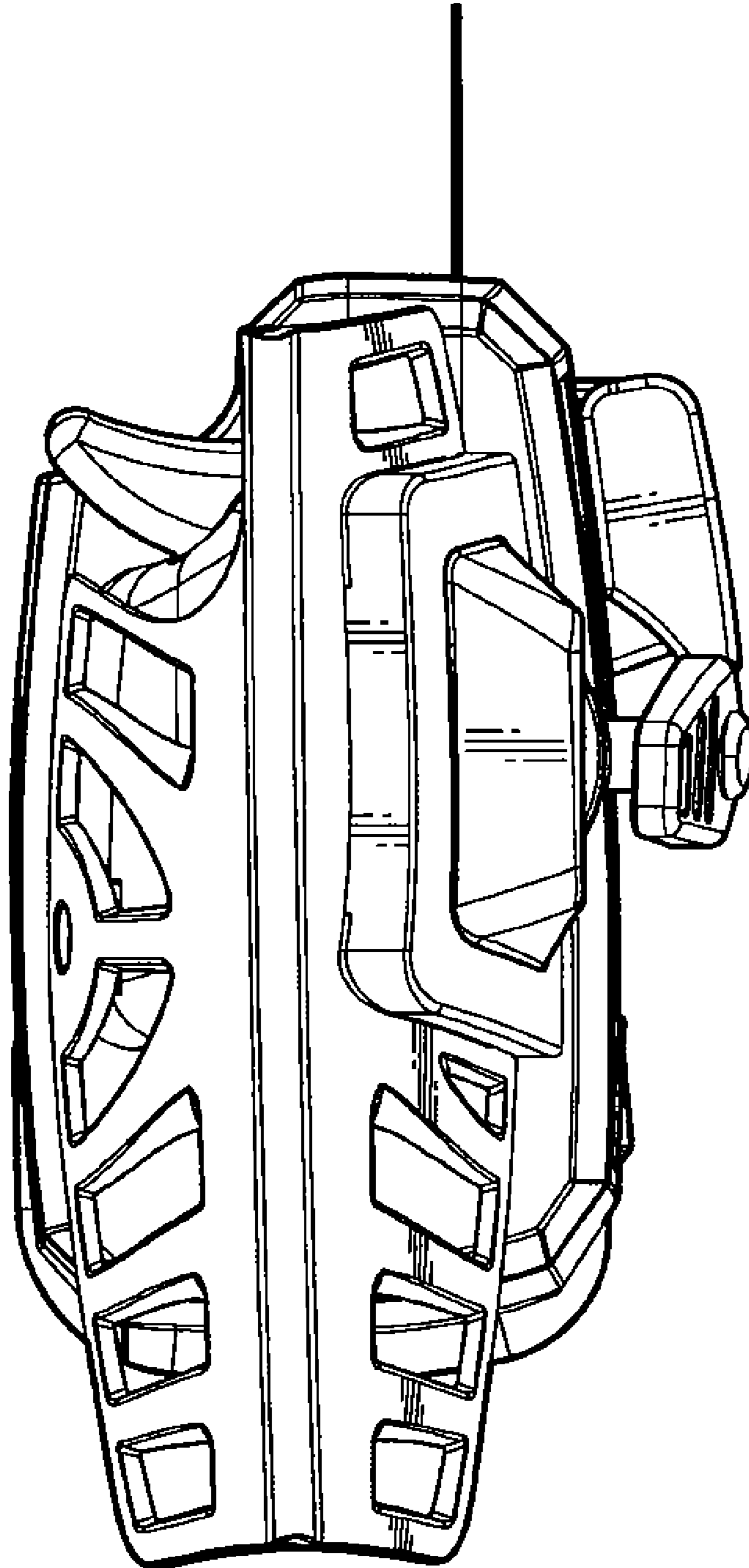


FIGURE 6