

US00D546902S

(12) **United States Design Patent**
Ganderton

(10) **Patent No.:** **US D546,902 S**

(45) **Date of Patent:** **** Jul. 17, 2007**

(54) **TOY BUILDING SET ELEMENT**

(75) Inventor: **Michael David Ganderton**, Vejle (DK)

(73) Assignee: **Interlego AG**, Baar (CH)

(**) Term: **14 Years**

(21) Appl. No.: **29/266,032**

(22) Filed: **Sep. 13, 2006**

Related U.S. Application Data

(62) Division of application No. 29/217,952, filed on Nov. 23, 2004.

Foreign Application Priority Data

May 28, 2004 (EM) 000183629

(51) **LOC (8) Cl.** **21-01**

(52) **U.S. Cl.** **D21/494; D21/491**

(58) **Field of Classification Search** D21/484,
D21/489, 491, 494, 500-501, 506-507; D25/32,
D25/138; 446/85, 108, 110

See application file for complete search history.

(56) **References Cited**

U.S. PATENT DOCUMENTS

2,780,028 A * 2/1957 McNeill 446/104
3,534,494 A * 10/1970 Takamichi 446/102
D291,217 S * 8/1987 Tapdrup D21/490

D295,643 S * 5/1988 Kushner D21/490
D353,866 S * 12/1994 Houry et al. D21/814
D364,656 S * 11/1995 Ruskai D21/494
D384,989 S * 10/1997 Andersen D21/491

FOREIGN PATENT DOCUMENTS

RU 44937 12/1998
RU 45016 1/1999
RU 47415 6/2000

* cited by examiner

Primary Examiner—Philip S. Hyder

Assistant Examiner—RoseLynne (Ulm) Cody

(74) *Attorney, Agent, or Firm*—Day Pitney LLP

(57) **CLAIM**

The ornamental design for a toy building set element, as shown and described.

DESCRIPTION

FIG. 1 is a perspective view of the toy building element of the present invention;

FIG. 2 is a bottom view thereof;

FIG. 3 is a top view thereof;

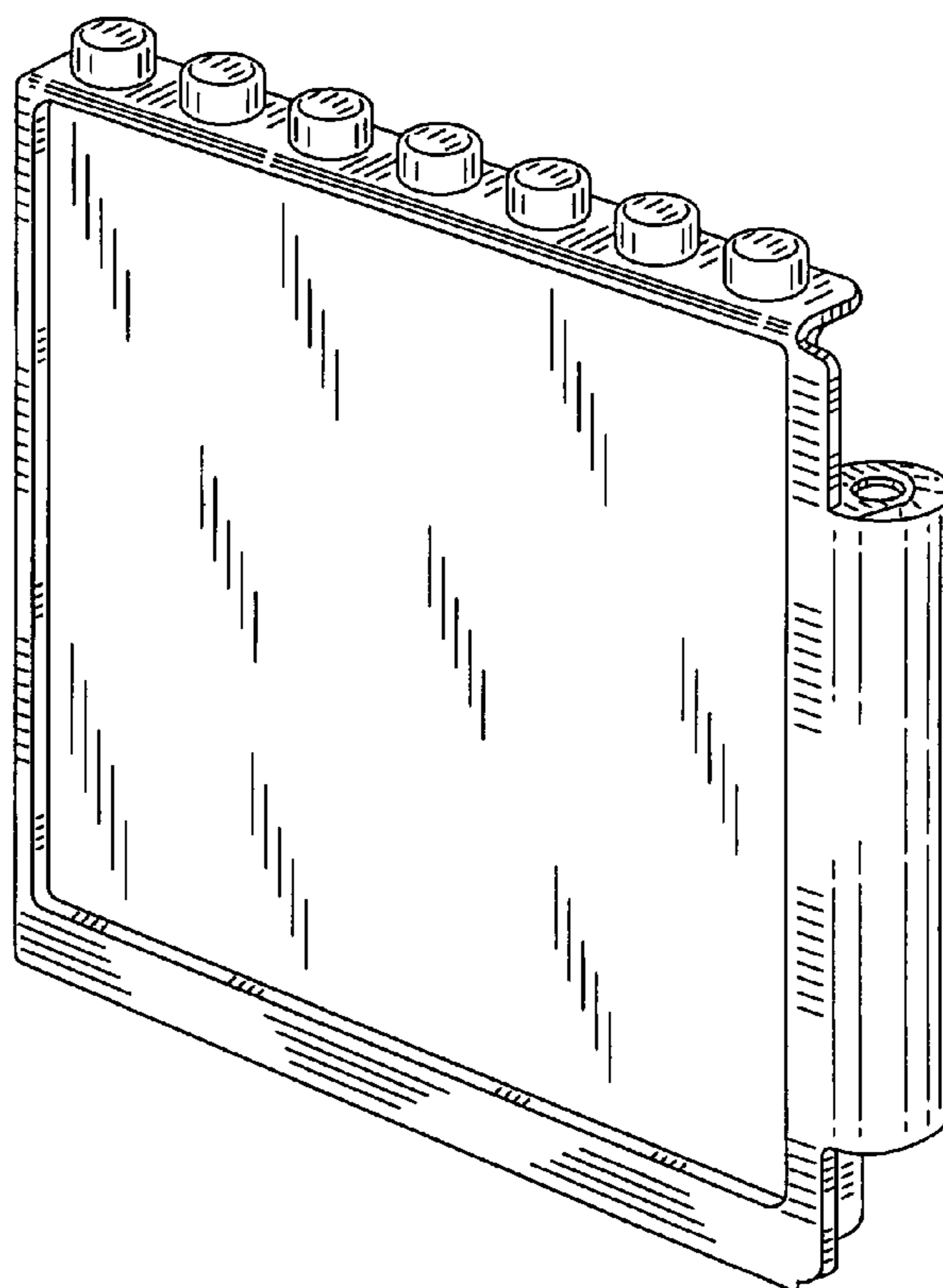
FIG. 4 is a front view thereof;

FIG. 5 is a rear view thereof;

FIG. 6 is a right side view thereof; and,

FIG. 7 is a left side view thereof.

1 Claim, 2 Drawing Sheets



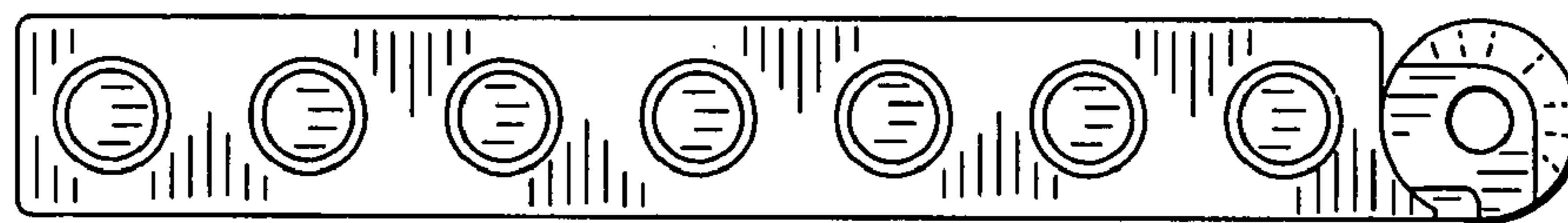


FIG. 3

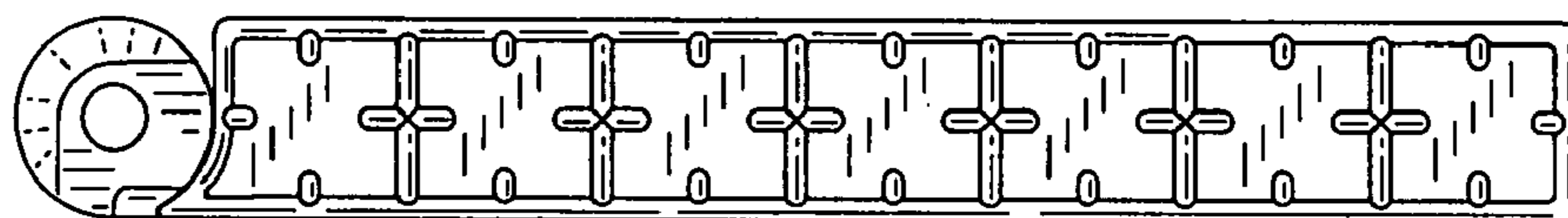


FIG. 2

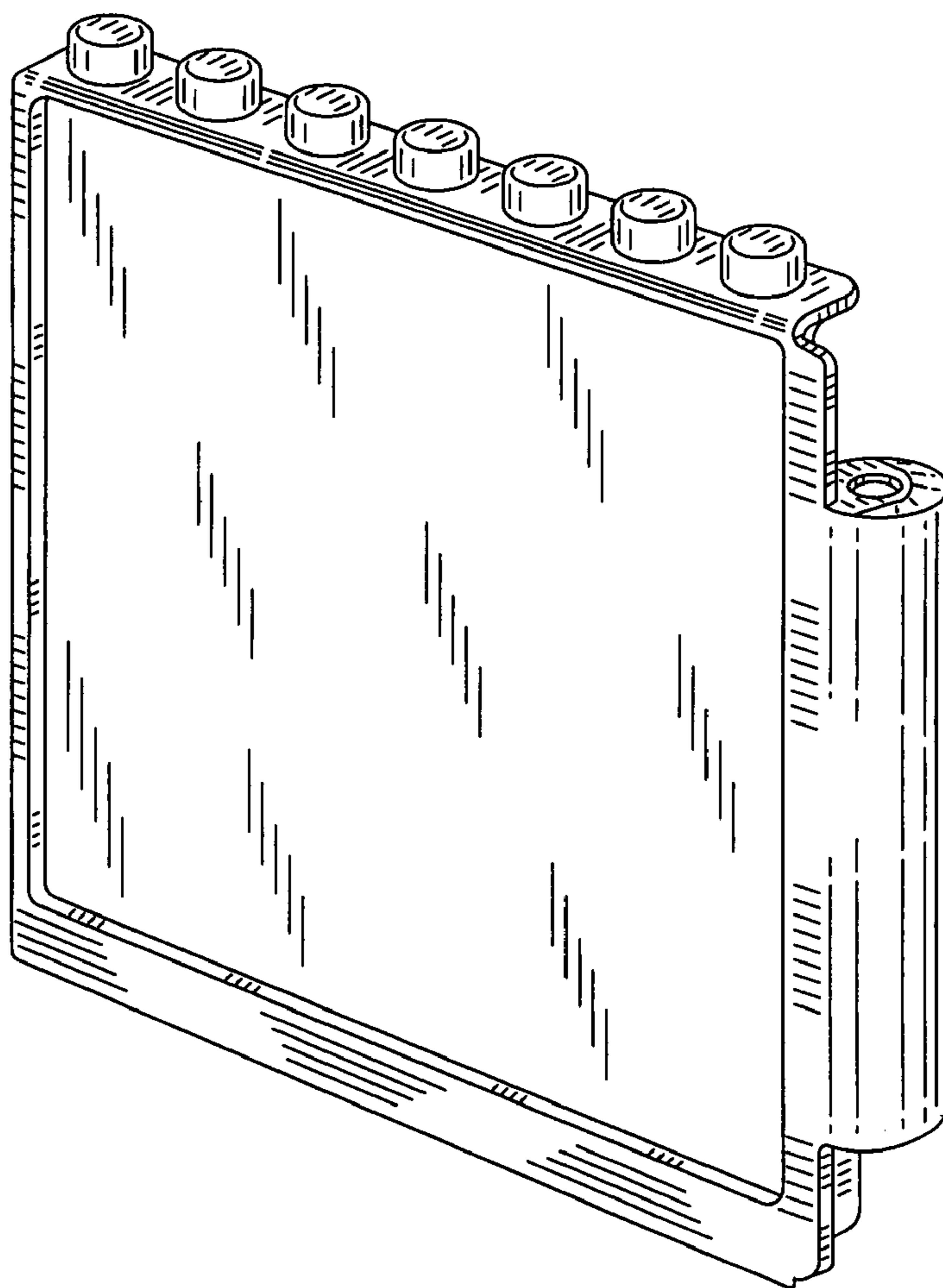


FIG. 1

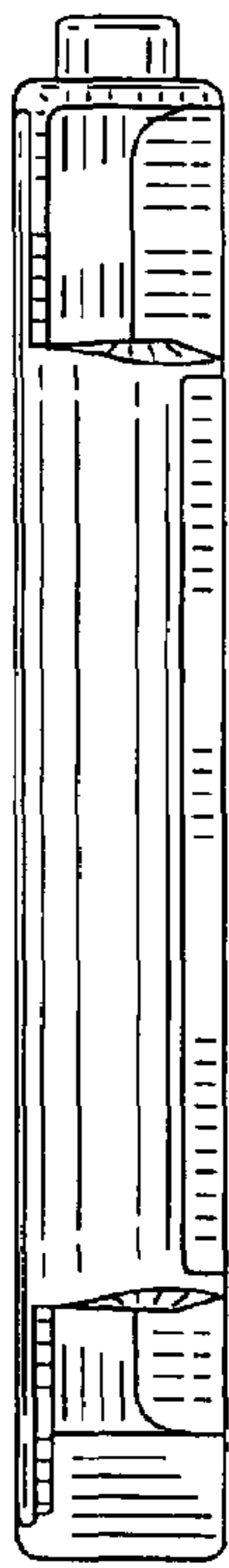


FIG. 6

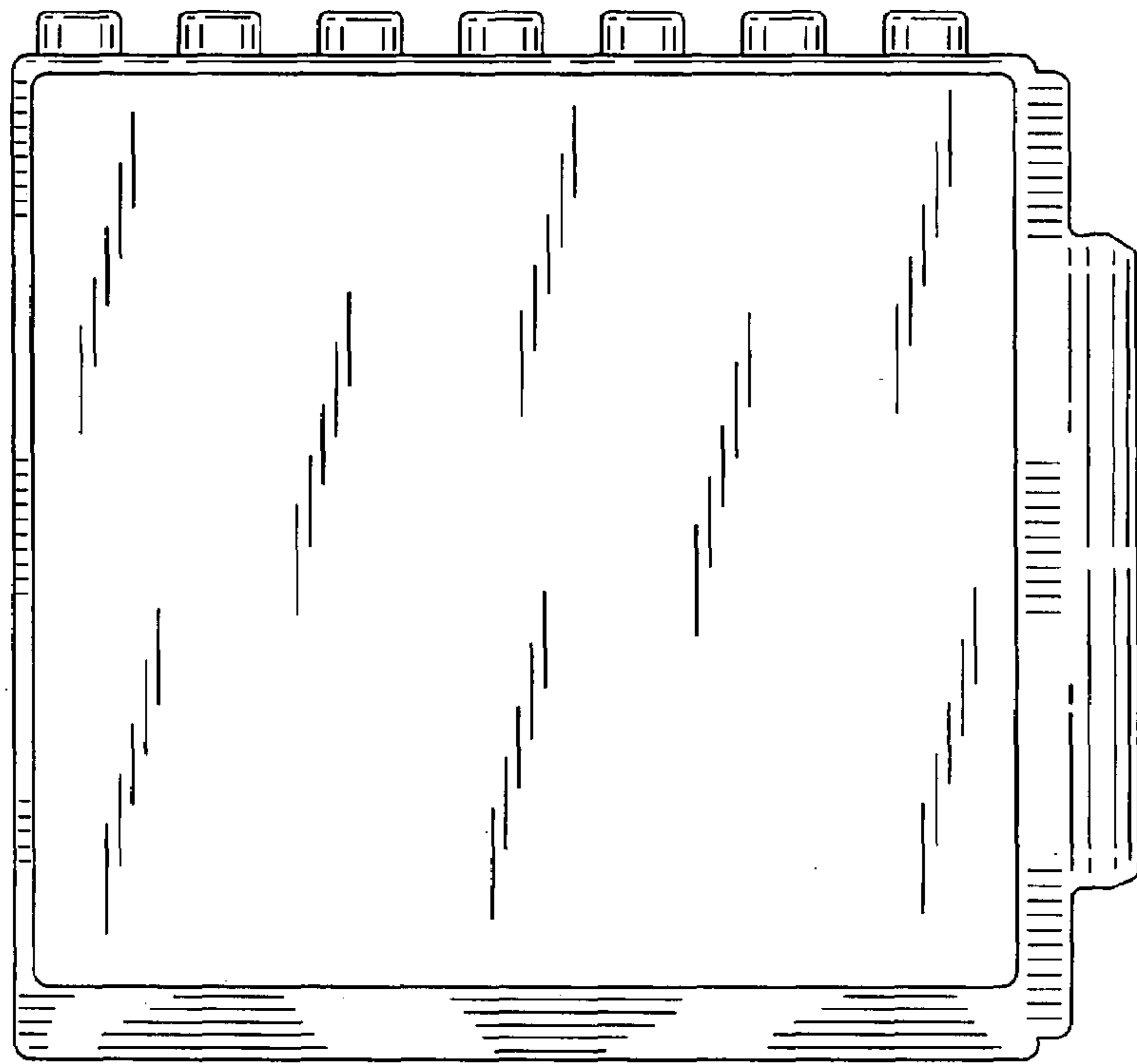


FIG. 4

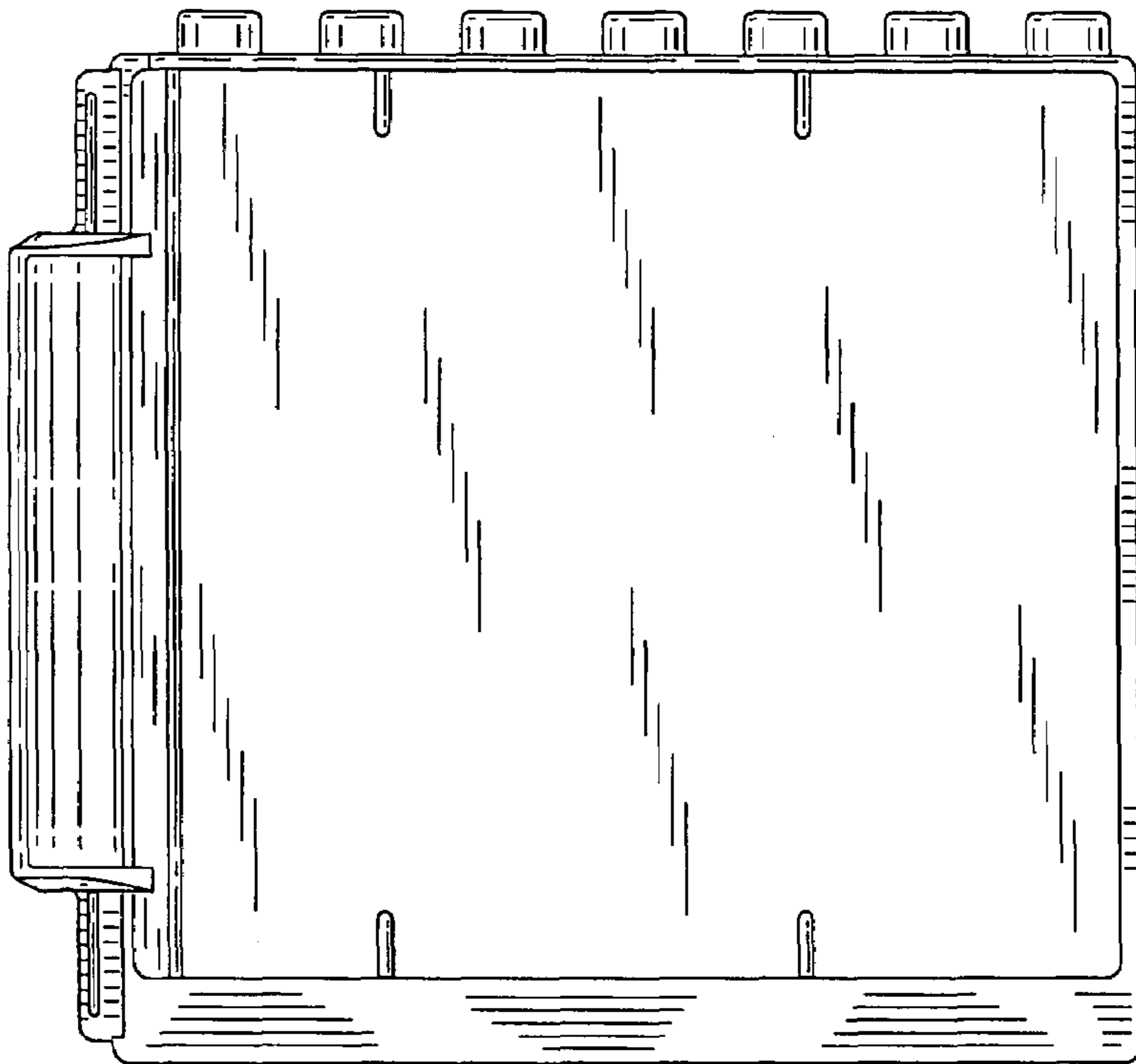


FIG. 5



FIG. 7