



US00D546901S

(12) **United States Design Patent**  
**Sorensen**

(10) **Patent No.:** **US D546,901 S**

(45) **Date of Patent:** **\*\* Jul. 17, 2007**

(54) **TOY BUILDING ELEMENT**

(76) **Inventor:** **Soren Christian Sorensen**, PO Box  
31096 SMB, Seven Mile Beach, Grand  
Cayman (KY)

(\*\*) **Term:** **14 Years**

(21) **Appl. No.:** **29/234,382**

(22) **Filed:** **Jul. 18, 2005**

(51) **LOC (8) Cl.** ..... **21-01**

(52) **U.S. Cl.** ..... **D21/484**

(58) **Field of Classification Search** ..... D21/483,  
D21/484-486, 489-494, 499-506; D25/113-118;  
446/69, 85, 101-128; 434/403

See application file for complete search history.

(56) **References Cited**

**U.S. PATENT DOCUMENTS**

|              |         |                   |       |         |
|--------------|---------|-------------------|-------|---------|
| D272,167 S * | 1/1984  | Chatani et al.    | ..... | D21/499 |
| D272,256 S * | 1/1984  | Chatani et al.    | ..... | D21/499 |
| D296,342 S * | 6/1988  | Knudsen           | ..... | D21/499 |
| D422,036 S * | 3/2000  | Laserna Fernandez | ..... | D21/499 |
| D435,609 S * | 12/2000 | Sorensen          | ..... | D21/499 |
| D437,366 S * | 2/2001  | Stemmler          | ..... | D21/499 |
| D437,895 S * | 2/2001  | Sorensen          | ..... | D21/504 |
| D456,463 S * | 4/2002  | Sorensen          | ..... | D21/500 |
| D460,129 S * | 7/2002  | Barazani et al.   | ..... | D21/499 |

|                   |         |              |               |
|-------------------|---------|--------------|---------------|
| 6,447,360 B1      | 9/2002  | Sorensen     |               |
| D465,246 S        | 11/2002 | Sorensen     |               |
| D470,196 S *      | 2/2003  | Sorensen     | ..... D21/499 |
| 6,616,499 B1      | 9/2003  | Sorensen     |               |
| 6,648,715 B2      | 11/2003 | Wiens et al. |               |
| 2003/0082986 A1 * | 5/2003  | Wiens et al. | ..... 446/120 |

\* cited by examiner

*Primary Examiner*—Holly H. Baynham

*Assistant Examiner*—Cynthia M. Chin

(74) *Attorney, Agent, or Firm*—Edward W. Callan

(57) **CLAIM**

The ornamental design for a toy building element, as shown and described.

**DESCRIPTION**

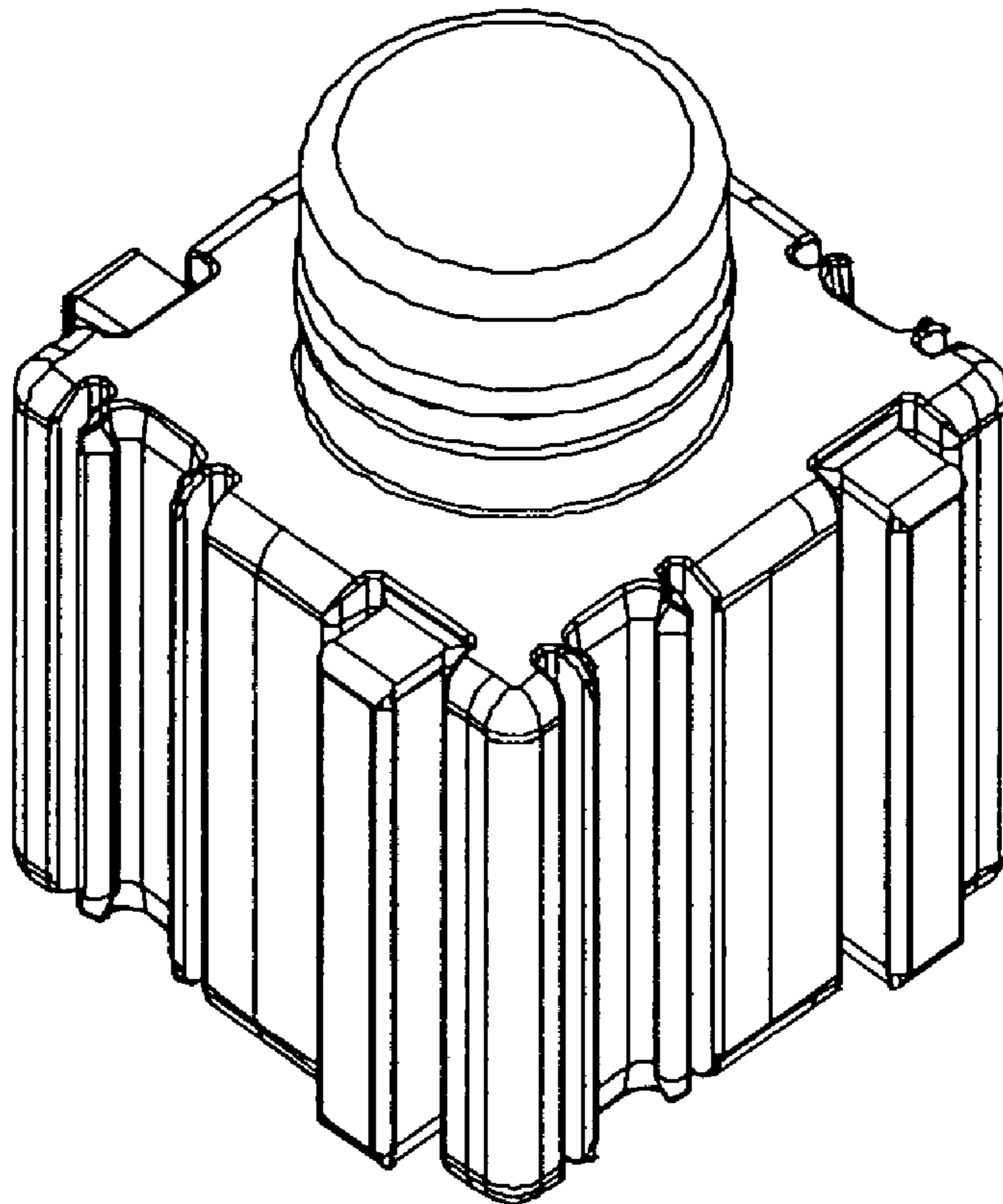
It is intended that the toy building element of the present invention be used in a set of toy building elements that are capable of being interconnected in a releasable engagement.

FIG. 1 is a top perspective view of the toy building element.

FIG. 2 is a side view of the toy building element shown in FIG. 1, all four sides being identical; and,

FIG. 3 is a top view of the toy building element shown in FIG. 1.

**1 Claim, 1 Drawing Sheet**



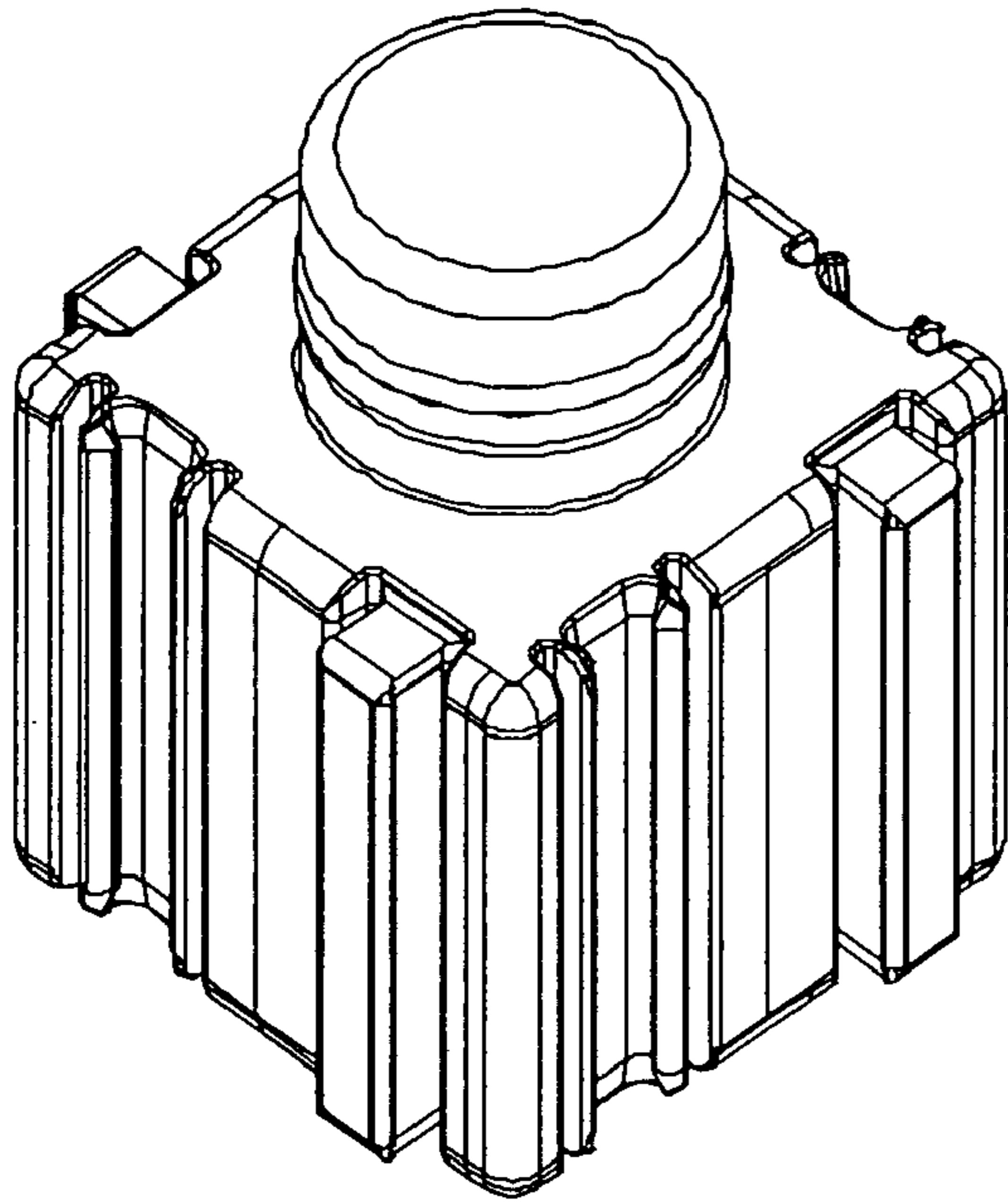


FIG. 1

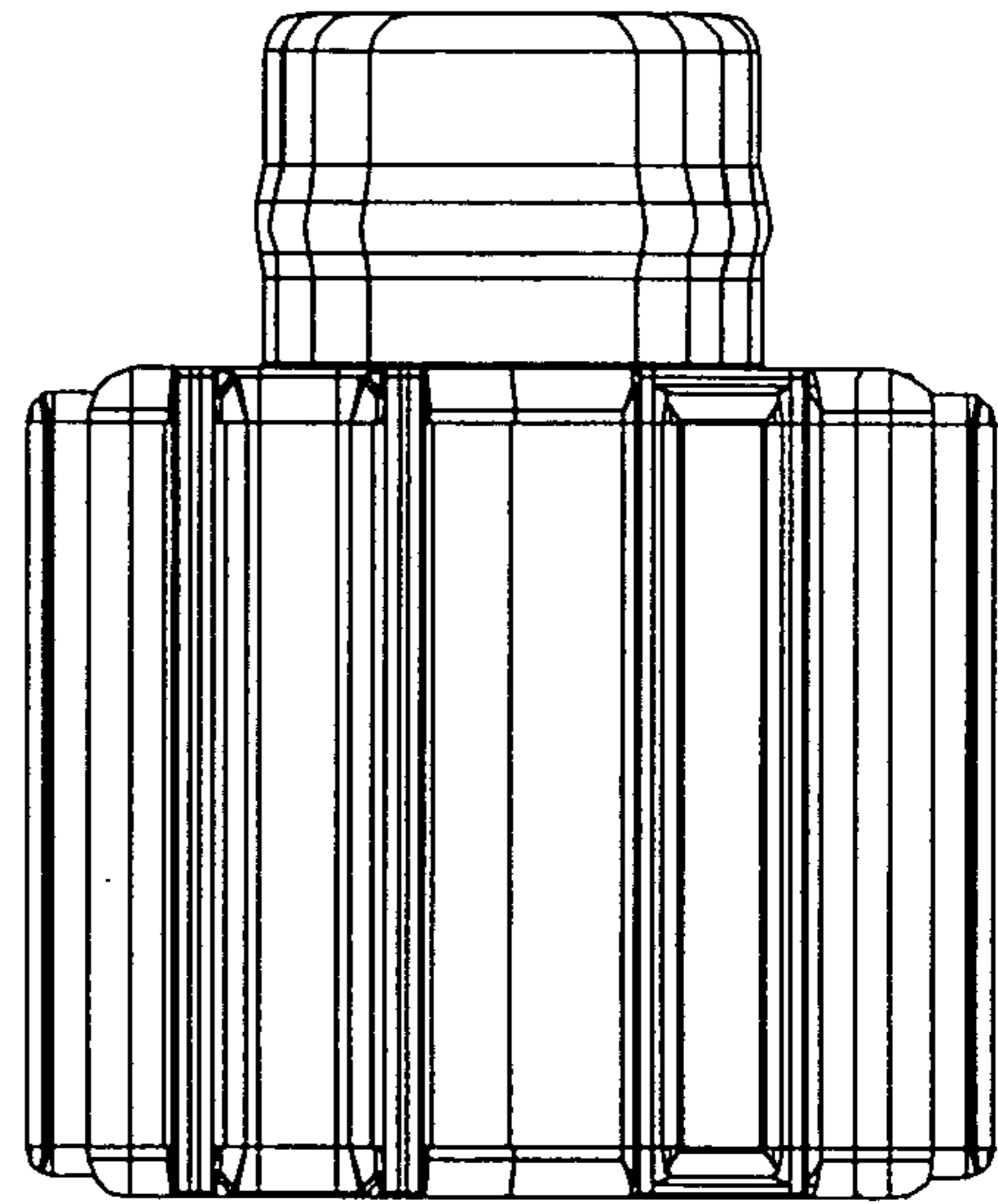


FIG. 2

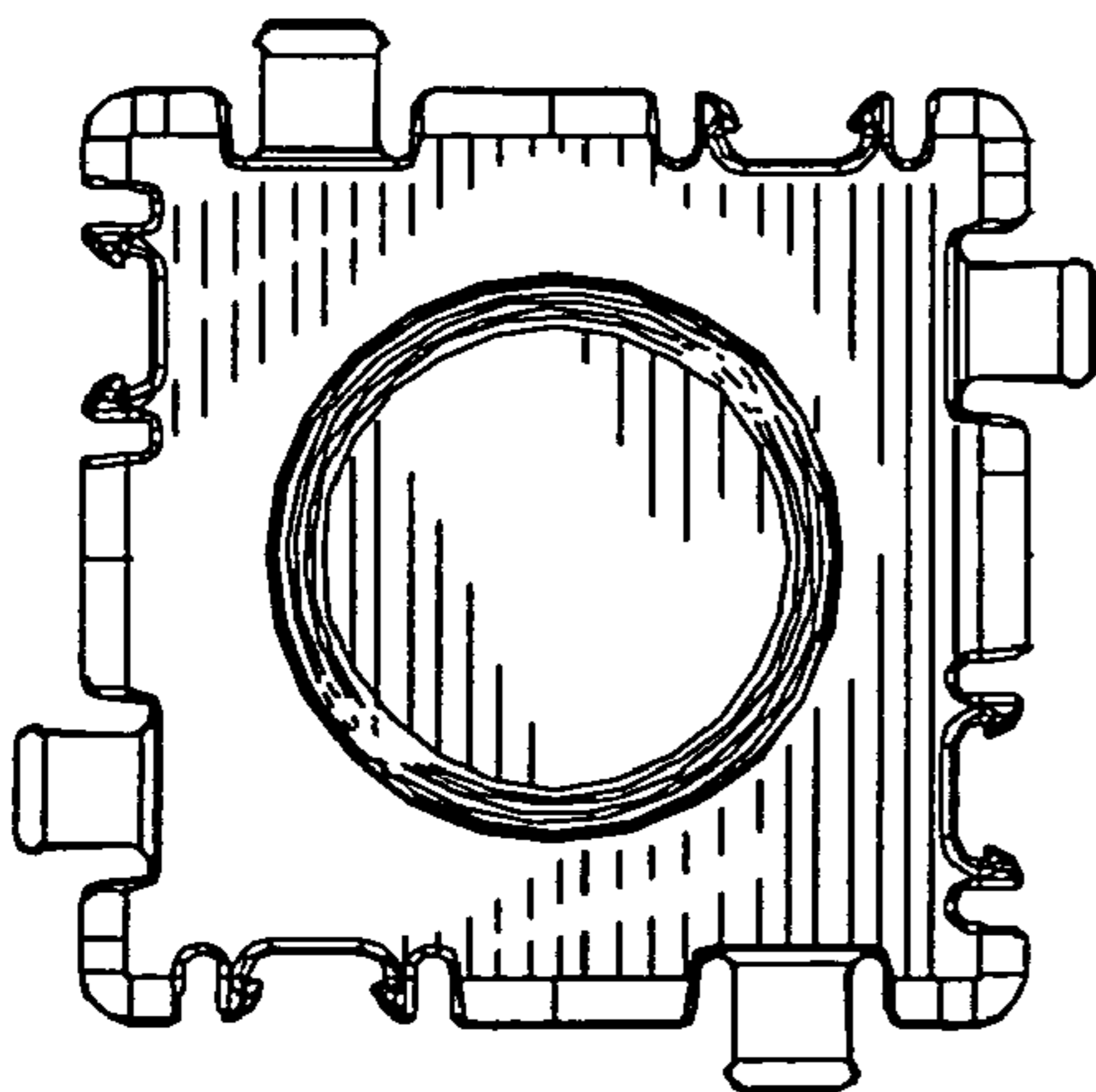


FIG. 3