

US00D546900S

(12) **United States Design Patent**
Sorensen

(10) **Patent No.:** **US D546,900 S**

(45) **Date of Patent:** **** Jul. 17, 2007**

(54) **TOY BUILDING ELEMENT**

D410,708 S 6/1999 Toft
5,913,706 A 6/1999 Glickman et al.
D413,942 S 9/1999 Rudy
6,447,360 B1 9/2002 Sorensen

(76) **Inventor:** **Soren Christian Sorensen**, P. O. Box
31096 SMB, Seven Mile Beach, Grand
Cayman (KY)

* cited by examiner

(**) **Term:** **14 Years**

Primary Examiner—Holly H. Baynham
Assistant Examiner—Cynthia M. Chin
(74) *Attorney, Agent, or Firm*—Edward W. Callan

(21) **Appl. No.:** **29/230,172**

(22) **Filed:** **May 17, 2005**

(57) **CLAIM**

(51) **LOC (8) Cl.** **21-01**

(52) **U.S. Cl.** **D21/484**

(58) **Field of Classification Search** D21/483,
D21/484-486, 489-494, 499-506; D25/113-118;
446/69, 85, 101-128; 434/403

The ornamental design for a toy building element, as shown
and described.

See application file for complete search history.

DESCRIPTION

(56) **References Cited**

U.S. PATENT DOCUMENTS

2,106,148	A	1/1938	Kellner	
2,609,638	A *	9/1952	Lindenmeyer	446/126
2,972,833	A	2/1961	La Grutta	
3,648,404	A *	3/1972	Ogsbury et al.	446/126
4,306,373	A	12/1981	Chatani et al.	
D276,830	S *	12/1984	Petersson	D21/487
4,642,064	A	2/1987	Yoke	
4,690,656	A *	9/1987	Friedman et al.	446/95
5,071,384	A *	12/1991	Poulsen	446/103
D360,000	S *	7/1995	Hatting et al.	D21/502
5,545,070	A *	8/1996	Liu	446/104
5,853,314	A	12/1998	Bora	
D410,044	S *	5/1999	Krog	D21/503

It is intended that the toy building element of the present
invention be used in a set of toy building elements that are
capable of being interconnected in a releasable engagement.

FIG. 1 is a front perspective view of the toy building
element.

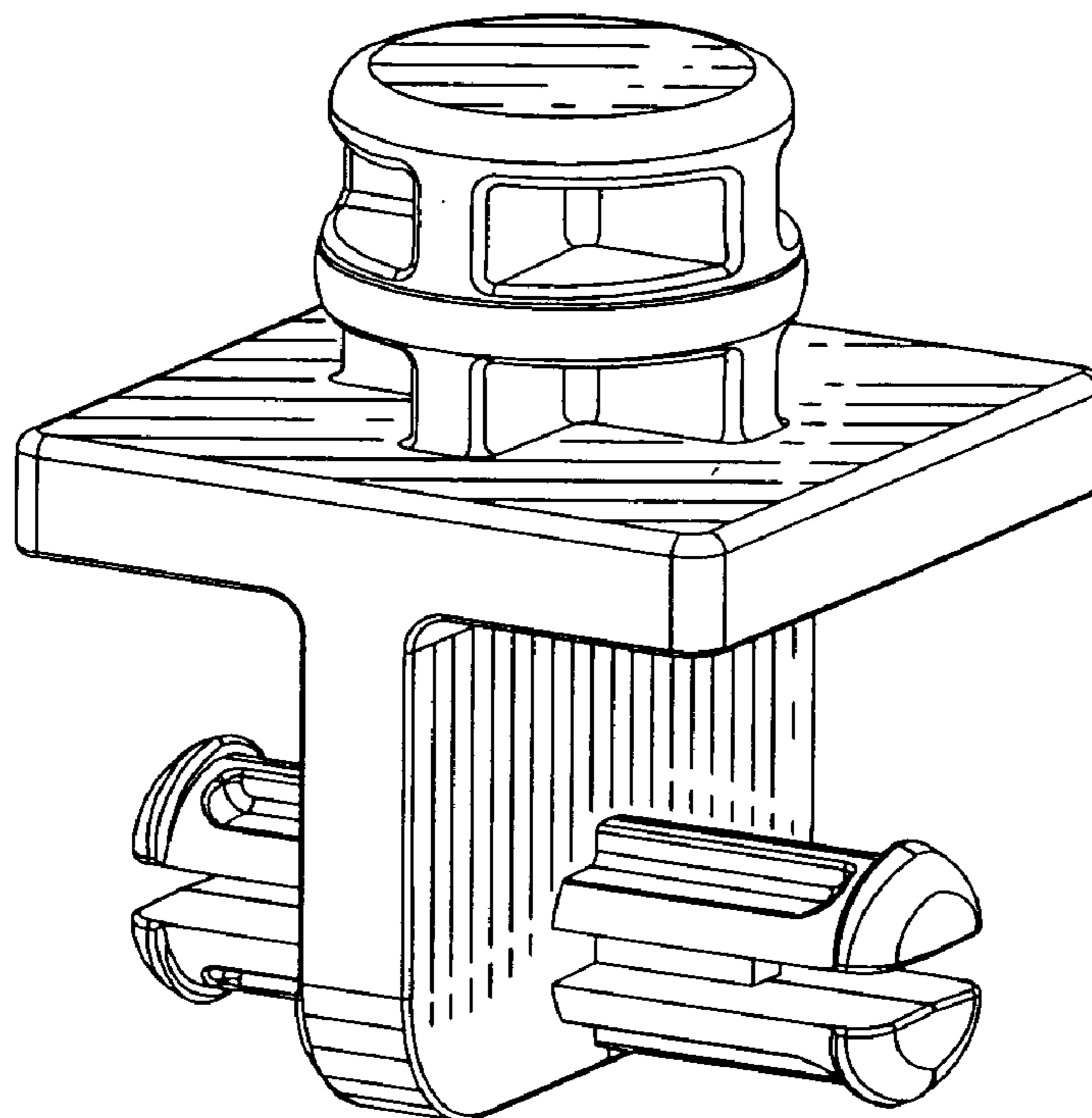
FIG. 2 is a top view of the toy building element shown in
FIG. 1.

FIG. 3 is a left side view of the toy building element shown
in FIG. 1, the right side view being identical.

FIG. 4 is a front view of the toy building element shown in
FIG. 1, the rear view being identical; and,

FIG. 5 is a bottom view of the toy building element shown
in FIG. 1.

1 Claim, 3 Drawing Sheets



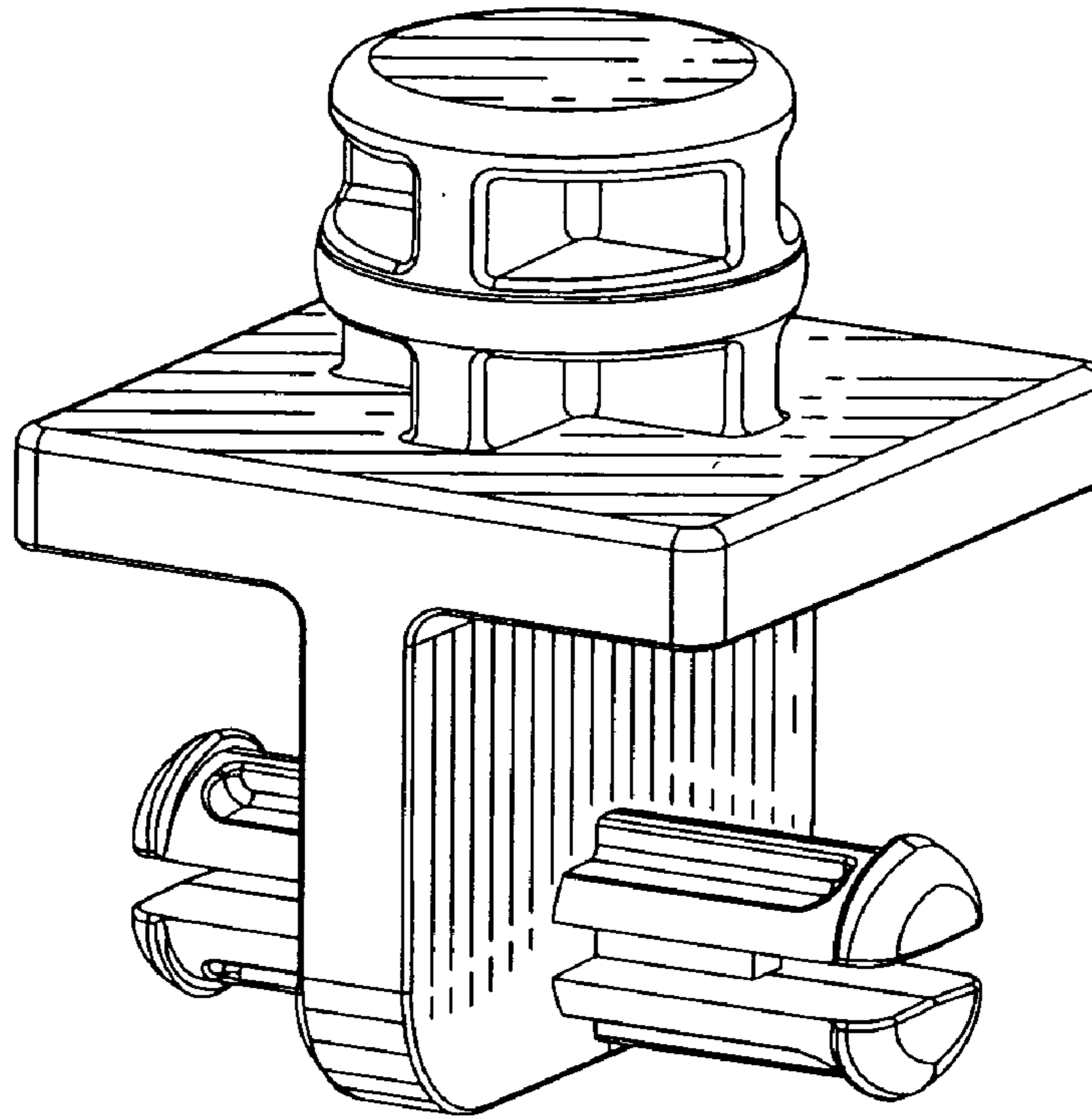


FIG. 1

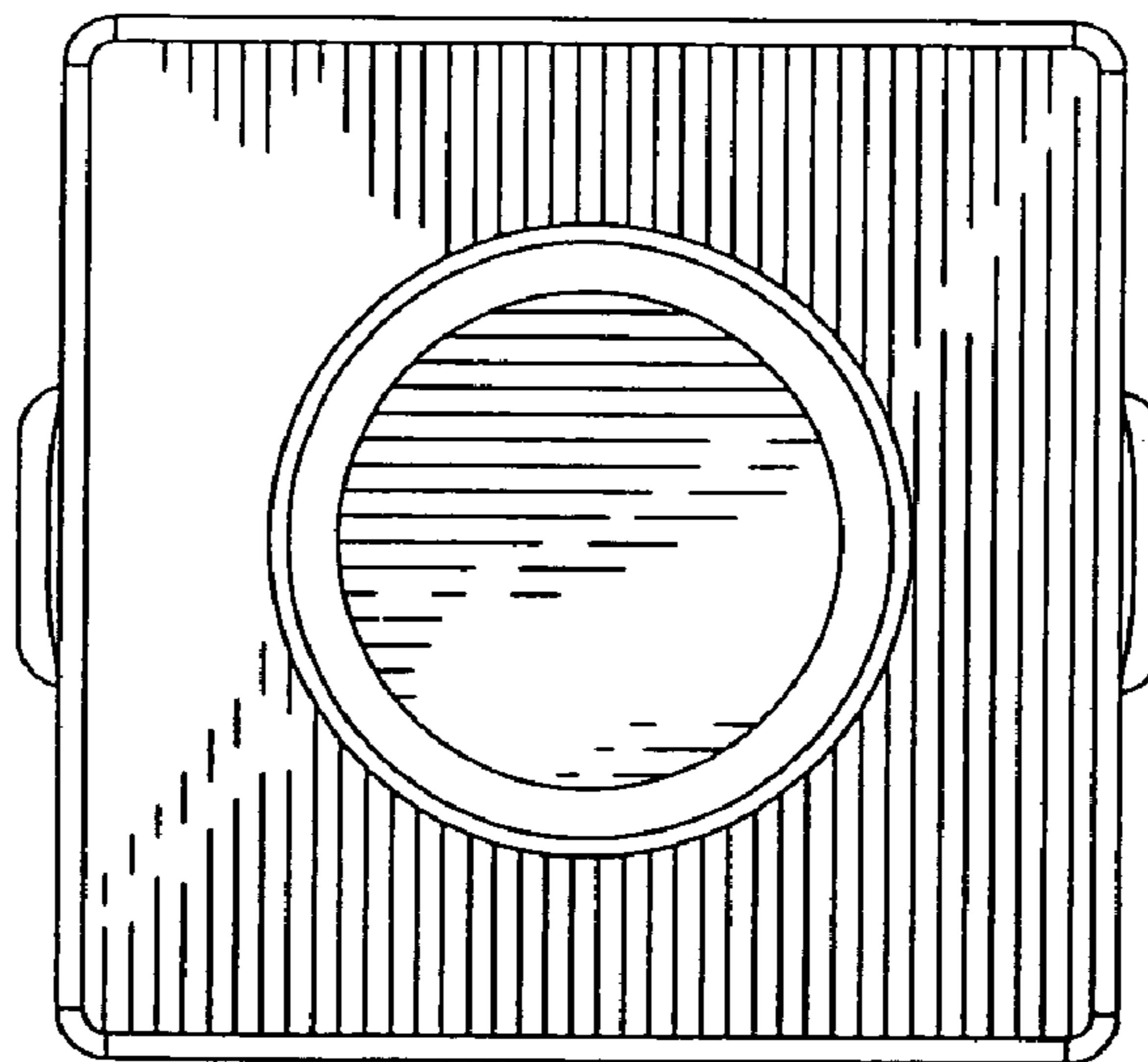


FIG. 2

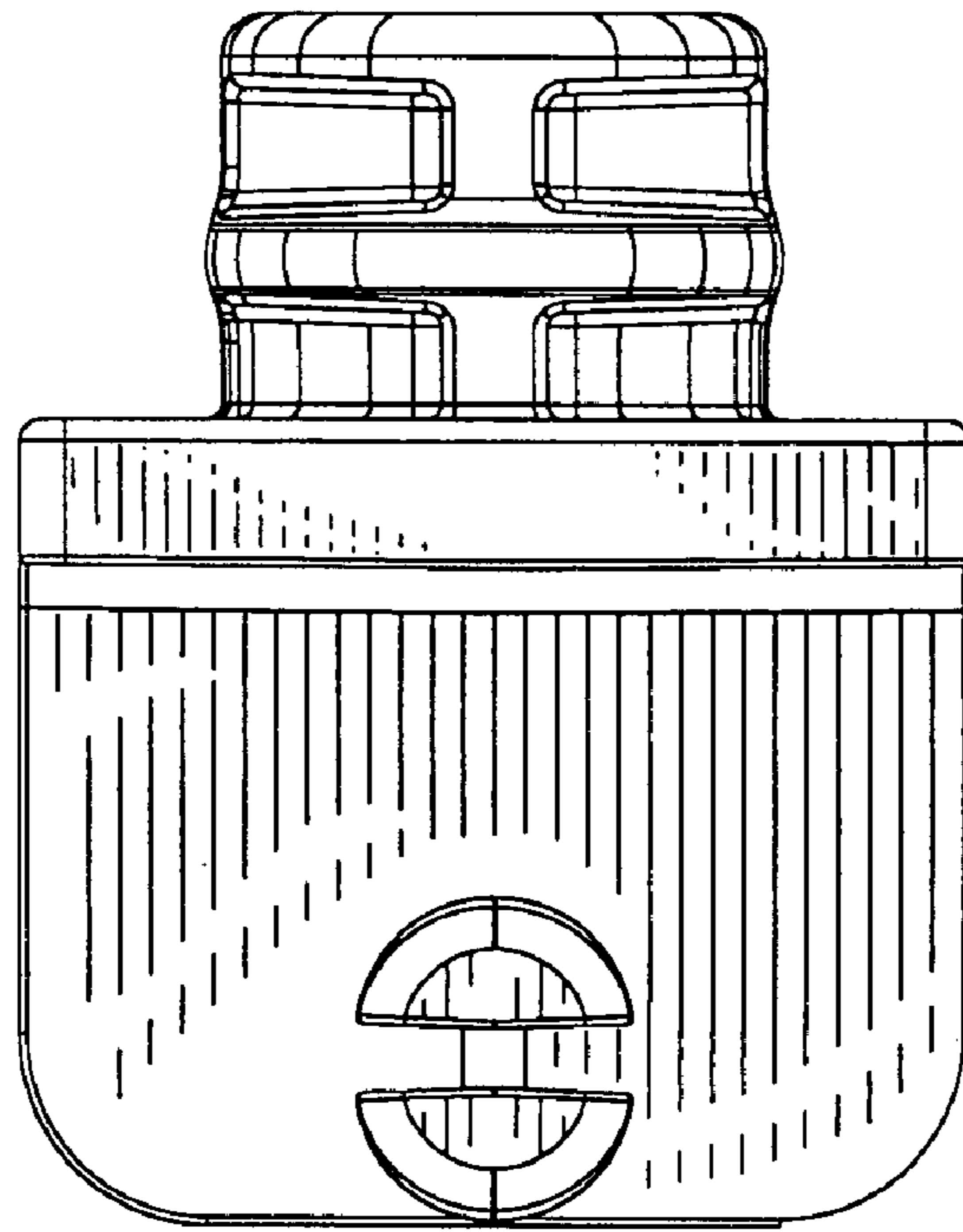


FIG. 3

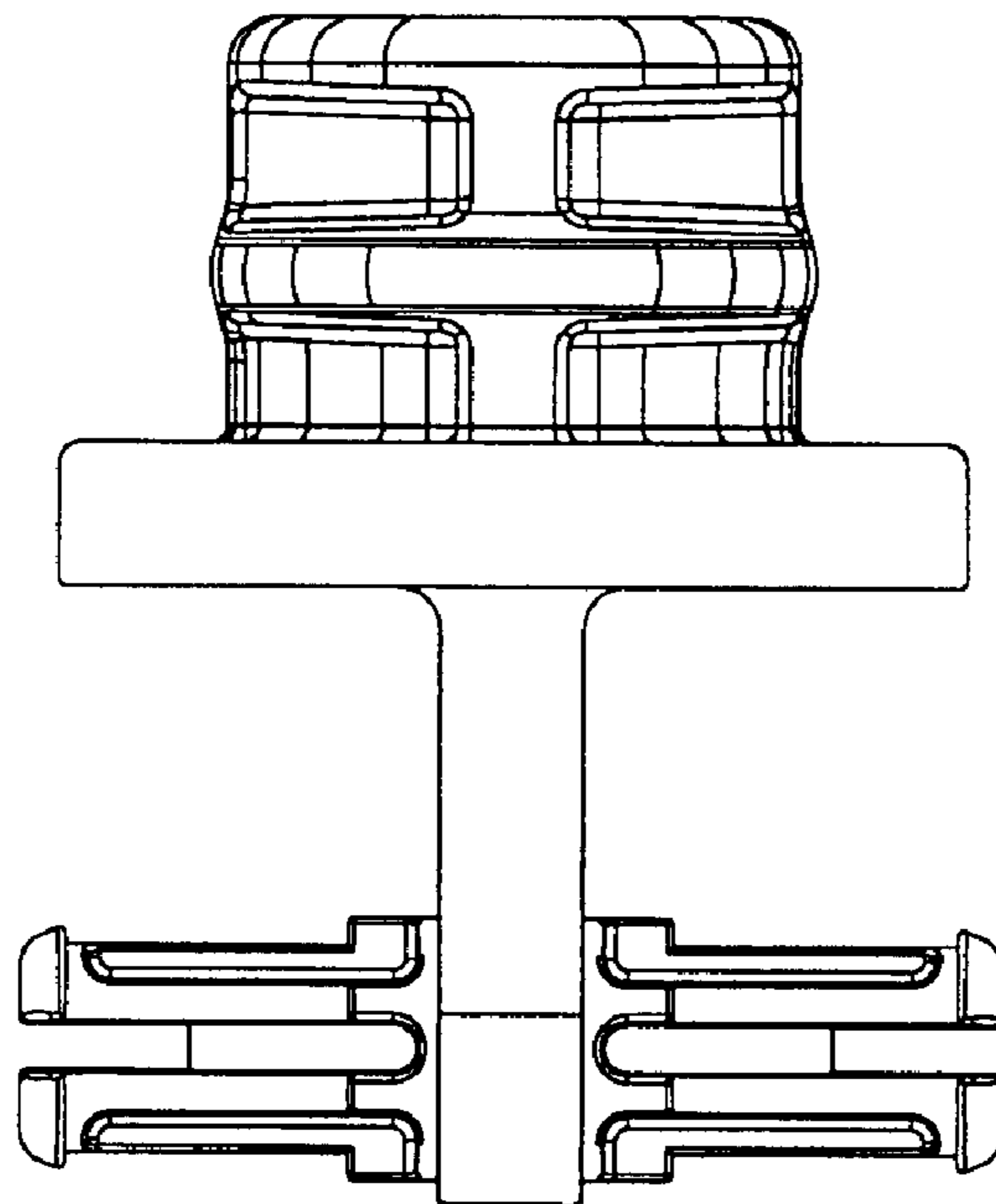


FIG. 4

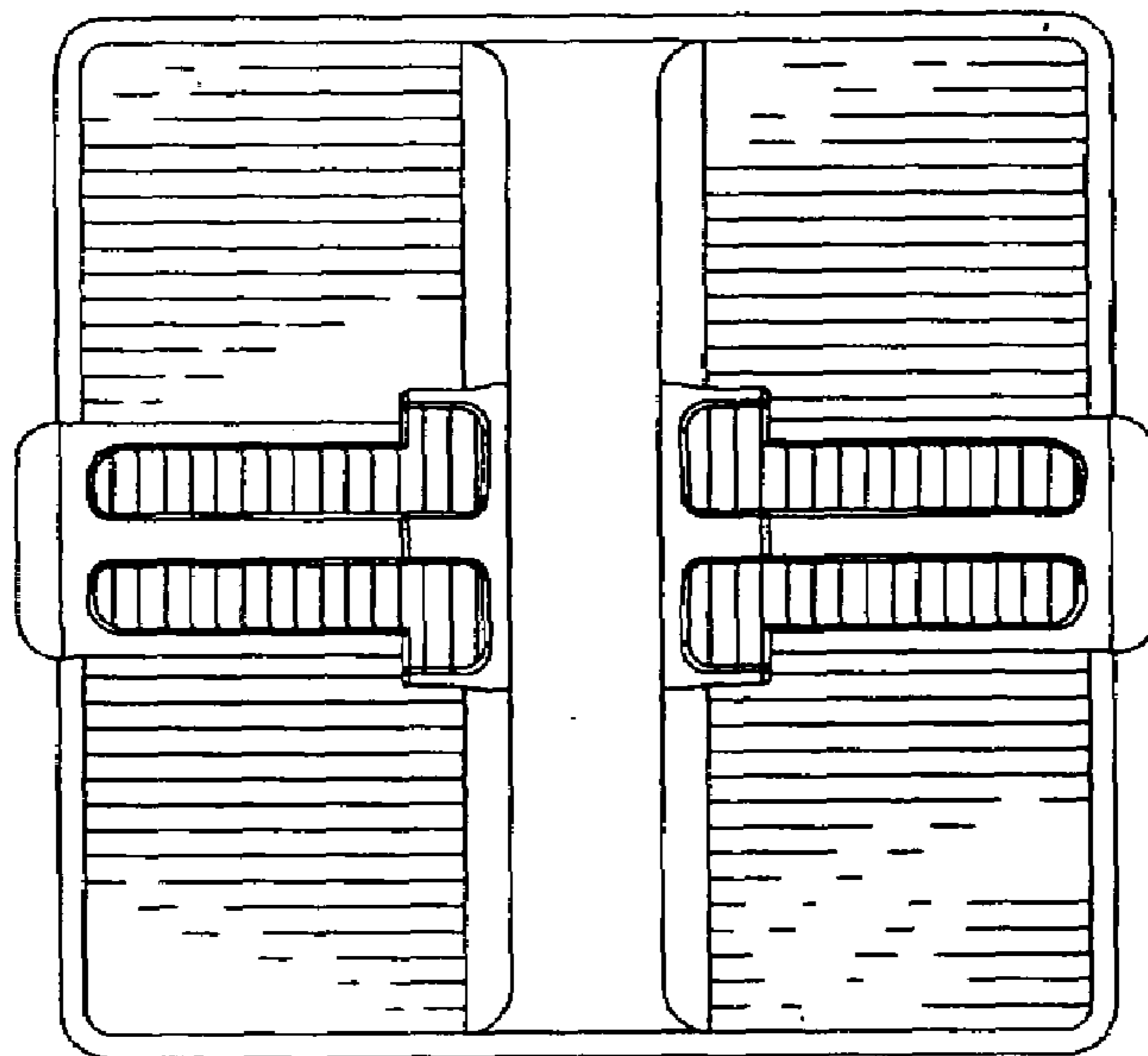


FIG. 5