



US00D546896S

(12) **United States Design Patent**  
**Ibuki**

(10) **Patent No.:** **US D546,896 S**  
(45) **Date of Patent:** **\*\* Jul. 17, 2007**

(54) **MEMORY ADAPTER FOR GAME MACHINE**

(75) Inventor: **Masato Ibuki**, Kyoto (JP)

(73) Assignee: **Nintendo Co., Ltd.**, Kyoto-shi (JP)

(\*\*) Term: **14 Years**

(21) Appl. No.: **29/231,312**

(22) Filed: **Jun. 3, 2005**

(30) **Foreign Application Priority Data**

Dec. 3, 2004 (JP) ..... 2004-037131

(51) **LOC (8) Cl.** ..... **21-01**

(52) **U.S. Cl.** ..... **D21/332; D14/435**

(58) **Field of Classification Search** ..... D21/332,  
D21/333; D14/432-438; 463/1, 43-47;  
273/148 B; 361/684-689, 737, 753  
See application file for complete search history.

(56) **References Cited**

**U.S. PATENT DOCUMENTS**

5,238,291	A *	8/1993	Alionis	.....	297/118
D368,082	S *	3/1996	Goto	.....	D14/435
5,556,108	A *	9/1996	Nagano et al.	.....	463/45
5,809,520	A *	9/1998	Edwards et al.	.....	711/115
6,075,709	A *	6/2000	Yang	.....	361/756
D428,939	S	8/2000	Ota et al.		
D437,323	S	2/2001	Sugino et al.		
D449,078	S	10/2001	Fujita		
D451,099	S *	11/2001	Lee	.....	D14/435
D452,281	S	12/2001	Ohno		
D468,743	S	1/2003	Kawanobe et al.		
D478,127	S	8/2003	Nishikawa		

D478,358	S *	8/2003	Ashida	.....	D21/332
D480,764	S	10/2003	Inoue et al.		
6,691,196	B2 *	2/2004	Mills et al.	.....	710/301
6,716,103	B1 *	4/2004	Eck et al.	.....	463/45
D505,133	S *	5/2005	Ashida et al.	.....	D14/435
7,093,510	B2 *	8/2006	Andreasson	.....	74/89.36
D530,341	S *	10/2006	Maruyama et al.	.....	D14/496
D530,343	S *	10/2006	Maruyama et al.	.....	D14/496

\* cited by examiner

*Primary Examiner*—Prabhakar Deshmukh

(74) *Attorney, Agent, or Firm*—Nixon & Vanderhye, P.C.

(57) **CLAIM**

The ornamental design for a memory adapter for game machine, as shown and described.

**DESCRIPTION**

FIG. 1 is a front, top and right perspective view of a memory adapter for game machine showing my new design;

FIG. 2 is a rear, bottom and left perspective view thereof;

FIG. 3 is a top plan view thereof;

FIG. 4 is a bottom plan view thereof;

FIG. 5 is a front view thereof;

FIG. 6 is a rear view thereof;

FIG. 7 is a right side view thereof;

FIG. 8 is a left side view thereof; and,

FIG. 9 is a perspective view thereof, shown the article in it's environmental use. The broken lines showing of a memory card is for illustrative purpose only and form no part of the claimed design.

**1 Claim, 4 Drawing Sheets**

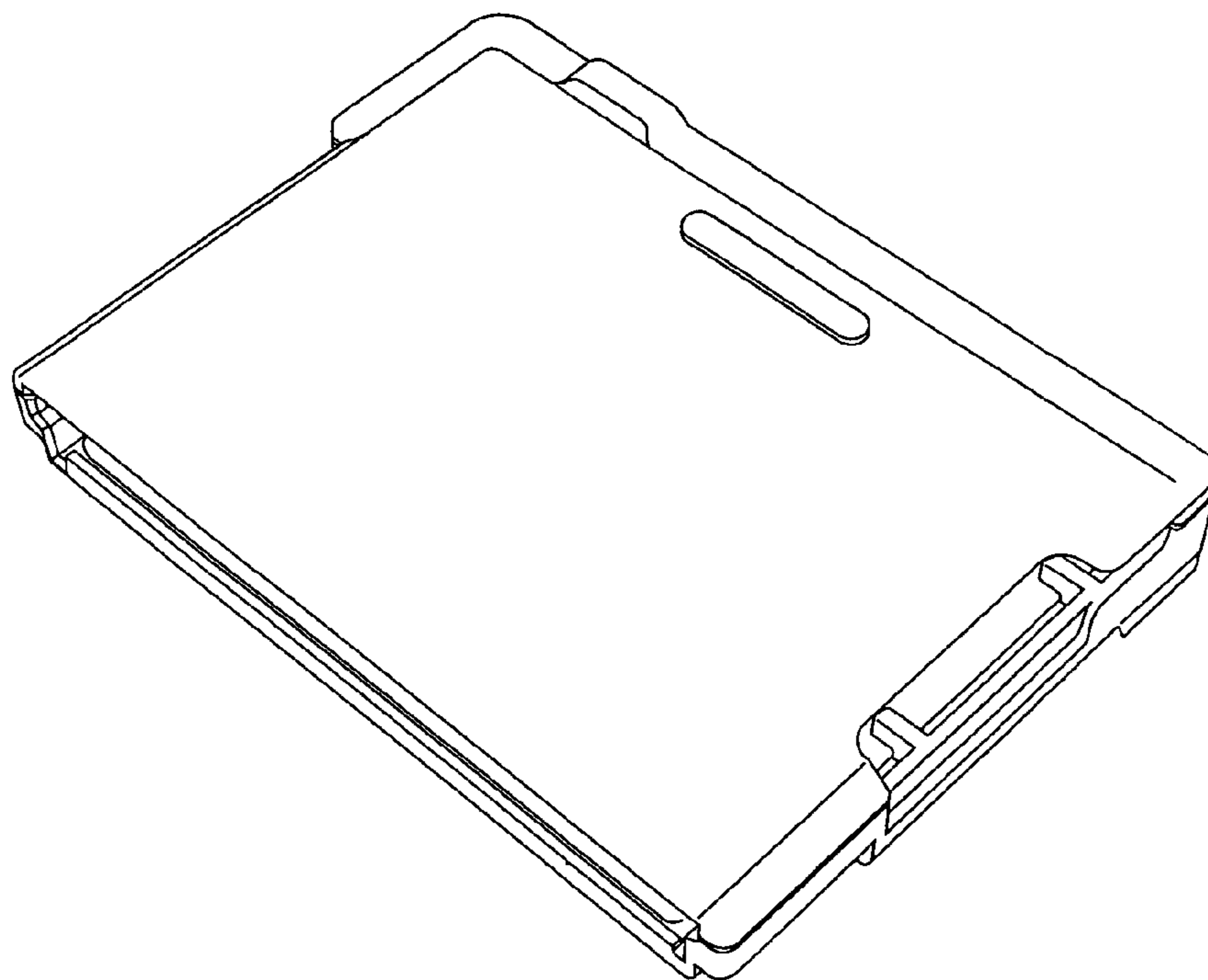


FIG. 1

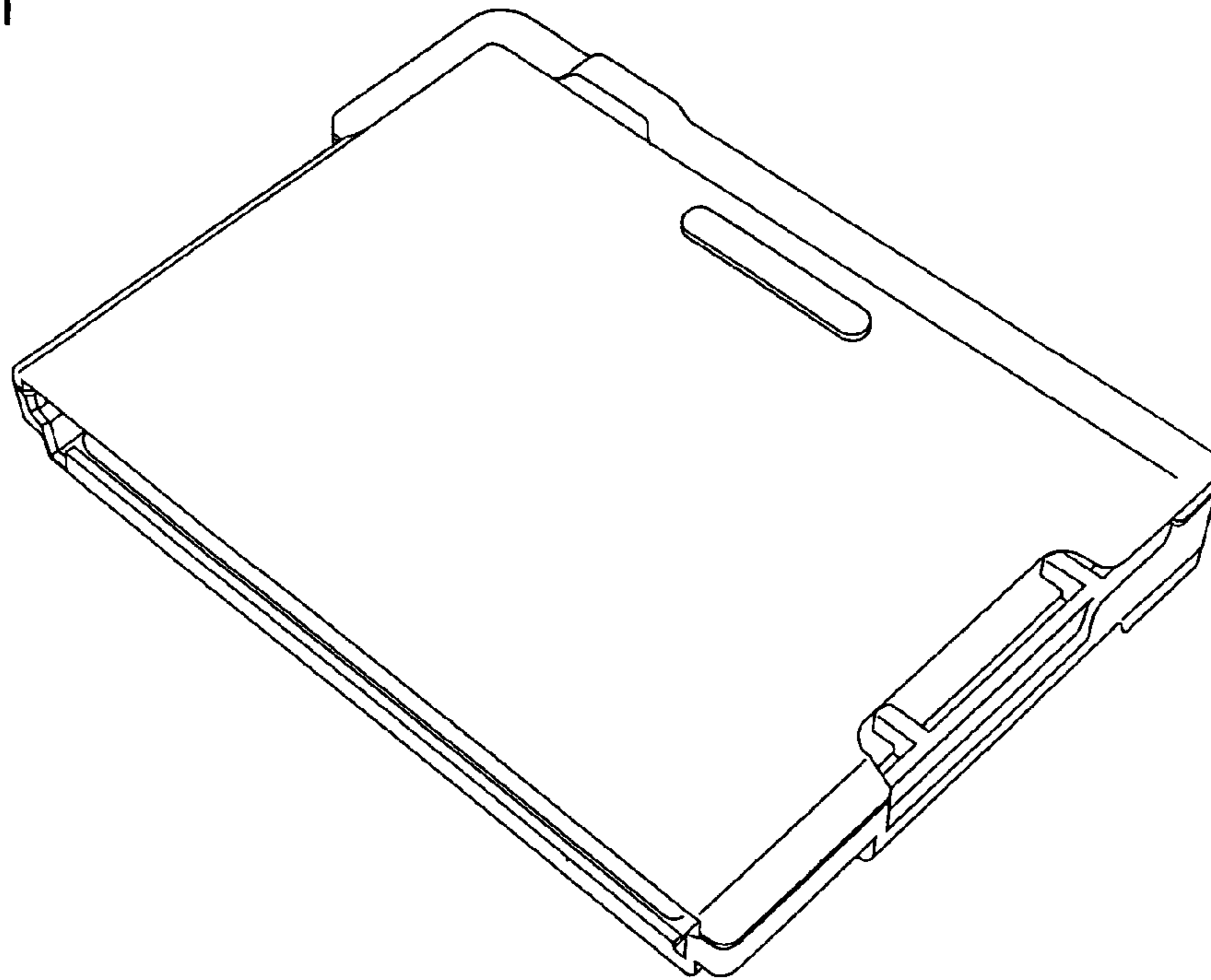


FIG. 2

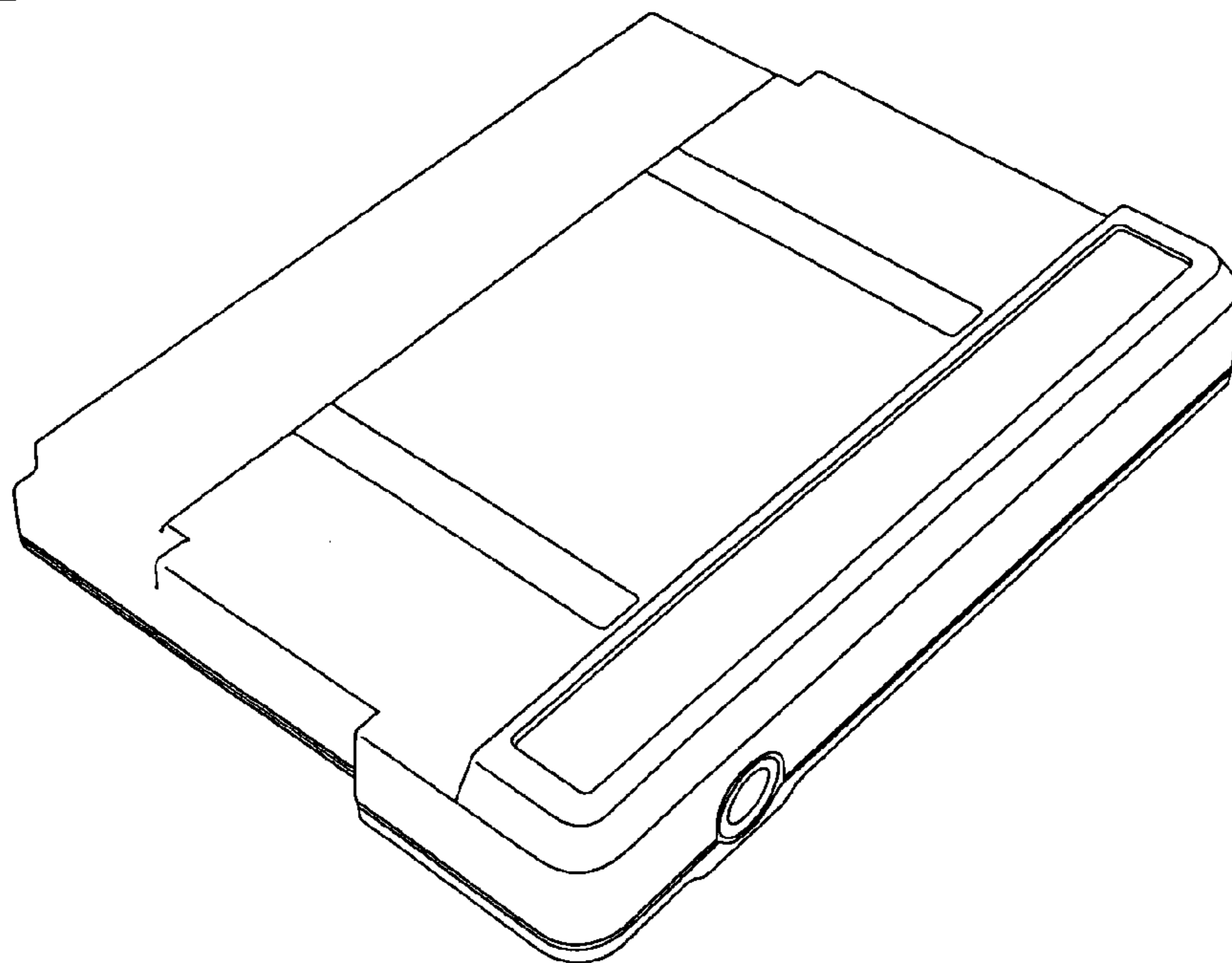


FIG. 3

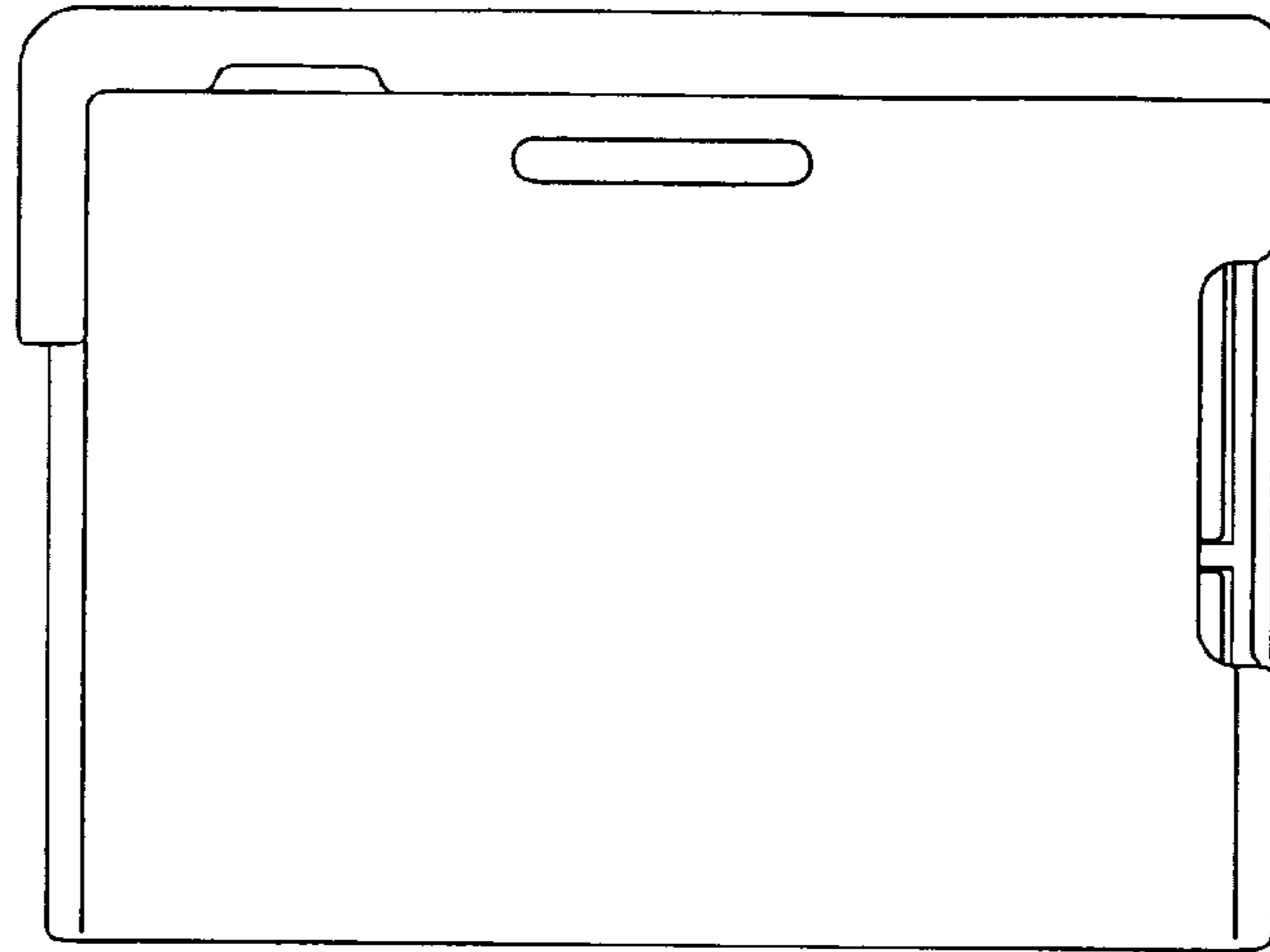


FIG. 4

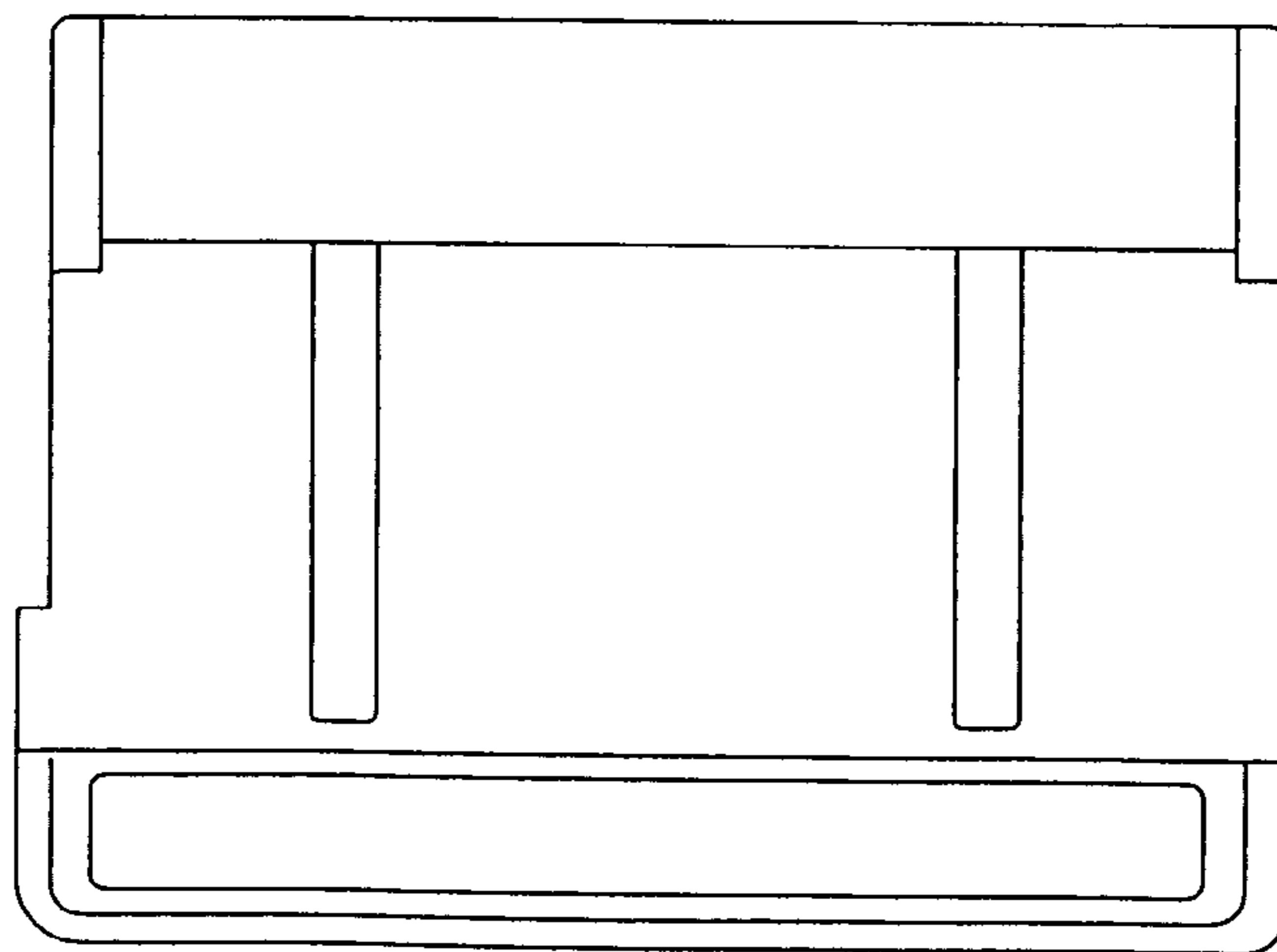


FIG. 5

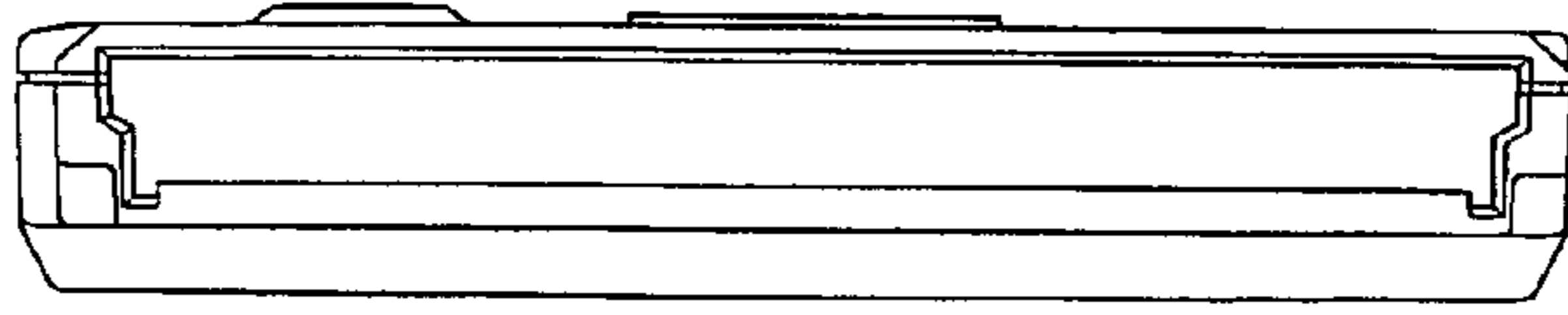


FIG. 6

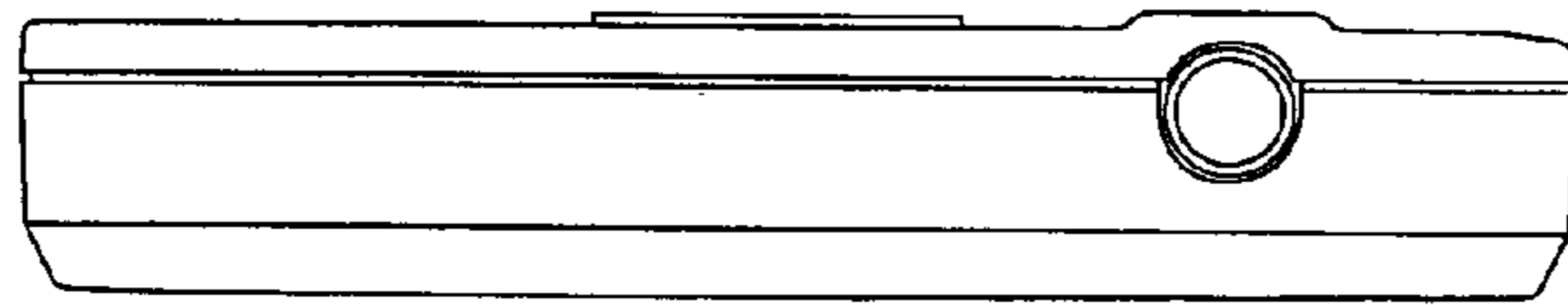


FIG. 7

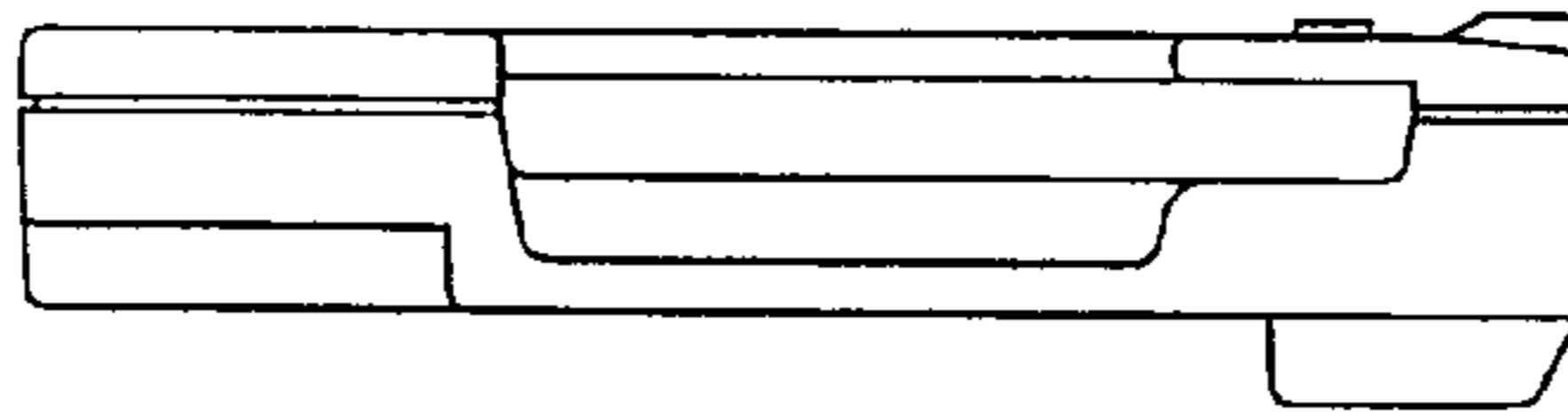


FIG. 8

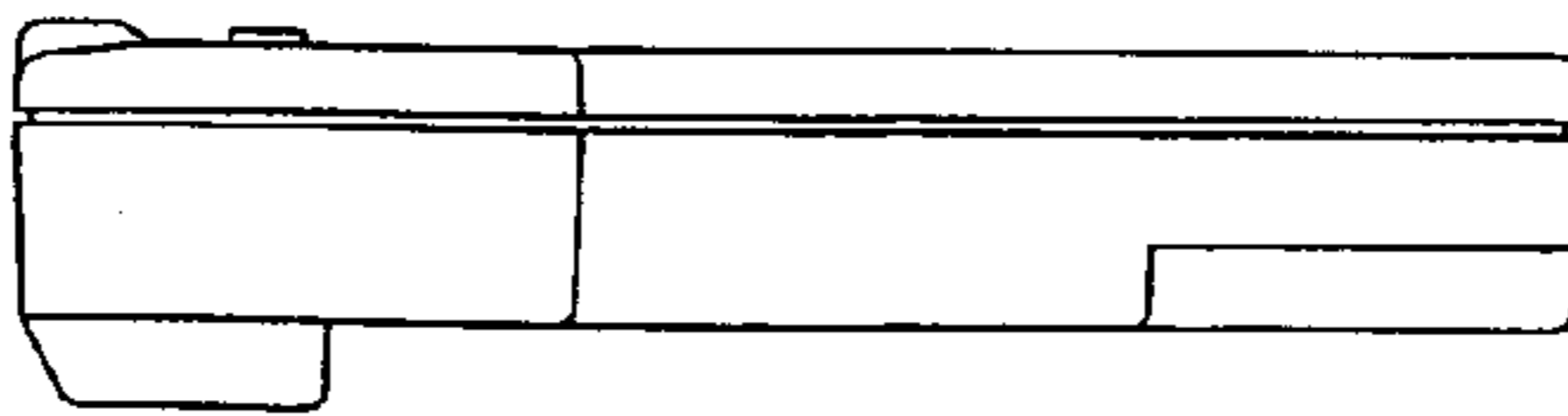


FIG. 9

