

US00D546895S

(12) **United States Design Patent**  
**Chan**

(10) **Patent No.:** **US D546,895 S**

(45) **Date of Patent:** **\*\* Jul. 17, 2007**

(54) **ELECTRONIC LEARNING DEVICE**

*Primary Examiner*—Prabhakar Deshmukh

(75) Inventor: **Raymond Chan**, Hong Kong (HK)

(74) *Attorney, Agent, or Firm*—Alix, Yale & Ristas, LLP

(73) Assignee: **IDT Electronic Products Limited**,  
Kowloon (HK)

(57) **CLAIM**

(\*\*) Term: **14 Years**

The ornamental design for an electronic learning device, as shown and described.

(21) Appl. No.: **29/231,565**

(22) Filed: **Jun. 7, 2005**

**DESCRIPTION**

(30) **Foreign Application Priority Data**

Apr. 11, 2005 (HK) ..... 0500729.1M001-M002

(51) **LOC (8) Cl.** ..... **21-01**

(52) **U.S. Cl.** ..... **D21/330**; D19/60

(58) **Field of Classification Search** ..... D21/324,  
D21/329, 330, 333; D14/496; D3/294; D19/59,  
D19/60; 434/112, 113, 224, 308, 309, 317,  
434/365; 345/156, 168, 903; 206/575, 579,  
206/387.13; 220/270–275, 81; D9/420–424  
See application file for complete search history.

FIG. 1 is a front perspective view of a first embodiment of an electronic learning device in a closed configuration, showing my new design;

FIG. 2 is a rear perspective view thereof;

FIG. 3 is a front elevational view thereof;

FIG. 4 is a rear elevational view thereof;

FIG. 5 is a top plan view thereof;

FIG. 6 is a bottom plan view thereof;

FIG. 7 is a left side elevational view thereof;

FIG. 8 is a right side elevational view thereof;

FIG. 9 is a front perspective view of a second embodiment of the electronic learning device in an open configuration;

FIG. 10 is a rear perspective view thereof;

FIG. 11 is a front elevational view thereof;

FIG. 12 is a rear elevational view thereof;

FIG. 13 is a top plan view thereof;

FIG. 14 is a bottom plan view thereof;

FIG. 15 is a left side elevational view thereof; and,

FIG. 16 is a right side elevational view thereof.

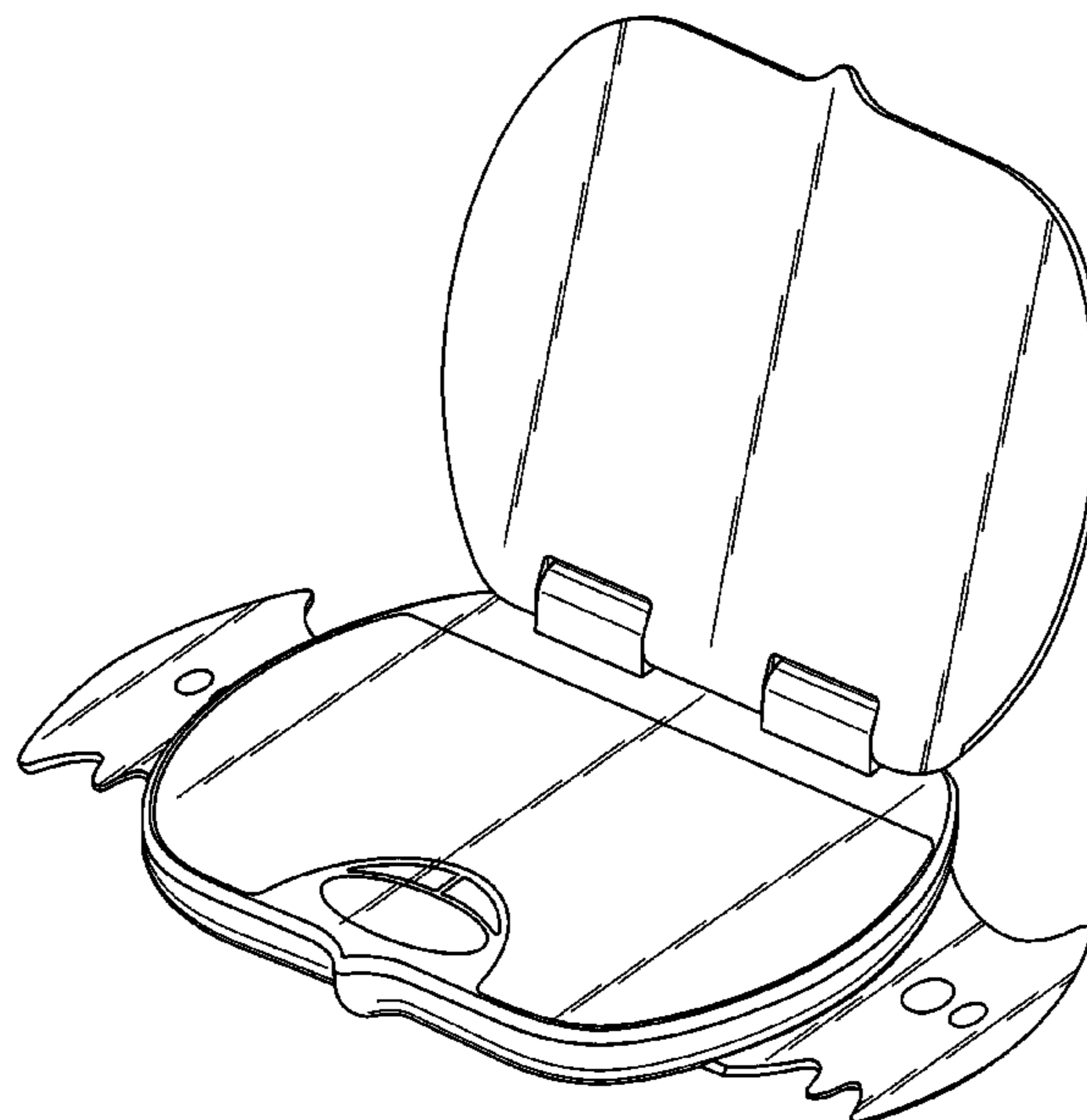
(56) **References Cited**

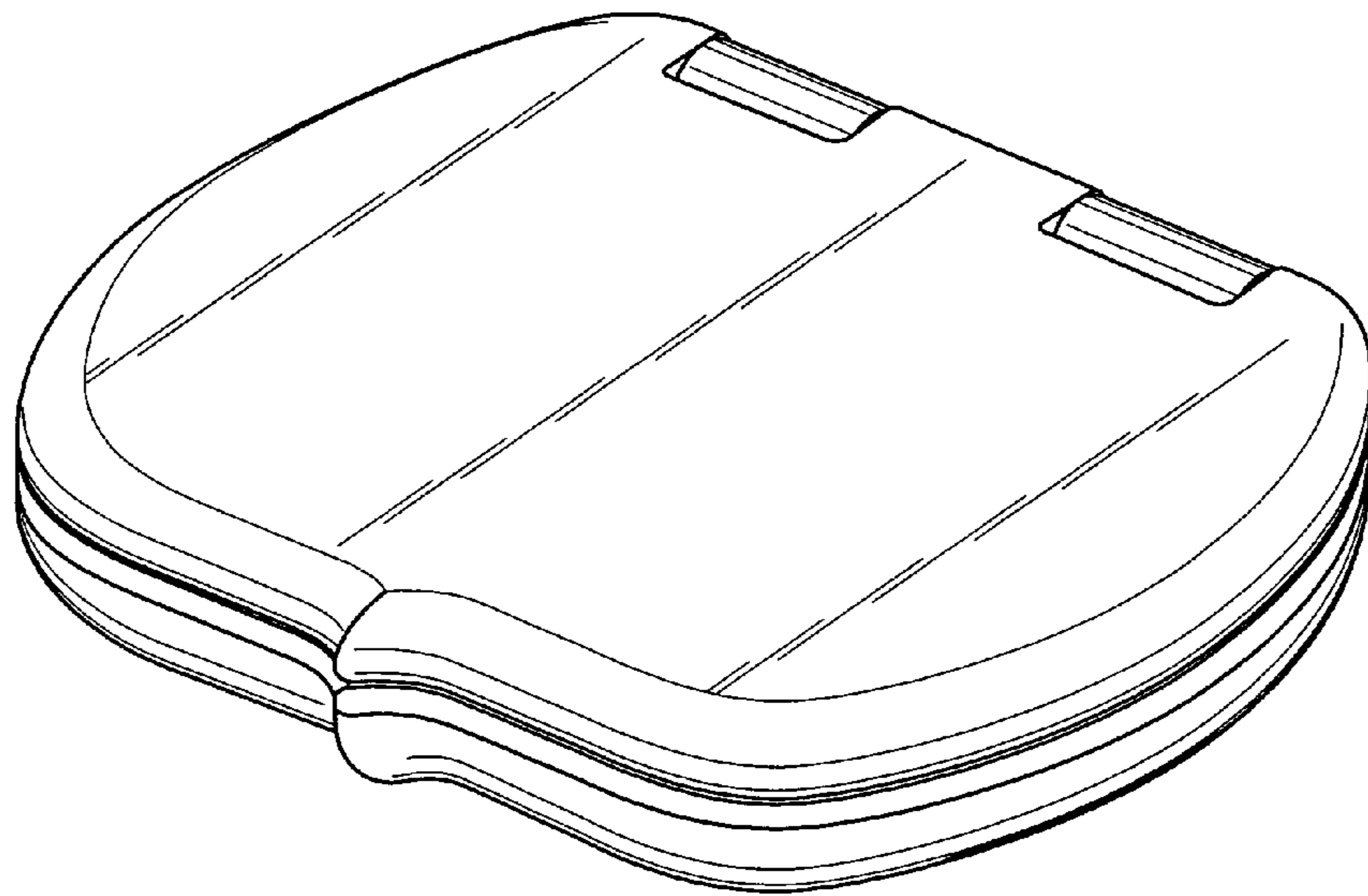
**U.S. PATENT DOCUMENTS**

4,799,890	A *	1/1989	Thompson et al.	.....	434/304
4,959,017	A *	9/1990	Thompson et al.	.....	434/110
5,137,457	A *	8/1992	Howard et al.	.....	434/201
5,139,423	A *	8/1992	McCormack et al.	.....	434/201
D356,781	S *	3/1995	Poon	.....	D14/318
D380,231	S *	6/1997	Chow	.....	D19/60
D428,920	S *	8/2000	Chan	.....	D14/327
D464,995	S *	10/2002	Griffin et al.	.....	D21/329
D494,220	S *	8/2004	Yu	.....	D19/60
2004/0043371	A1 *	3/2004	Ernst et al.	.....	434/317
2004/0213140	A1 *	10/2004	Taylor et al.	.....	369/292

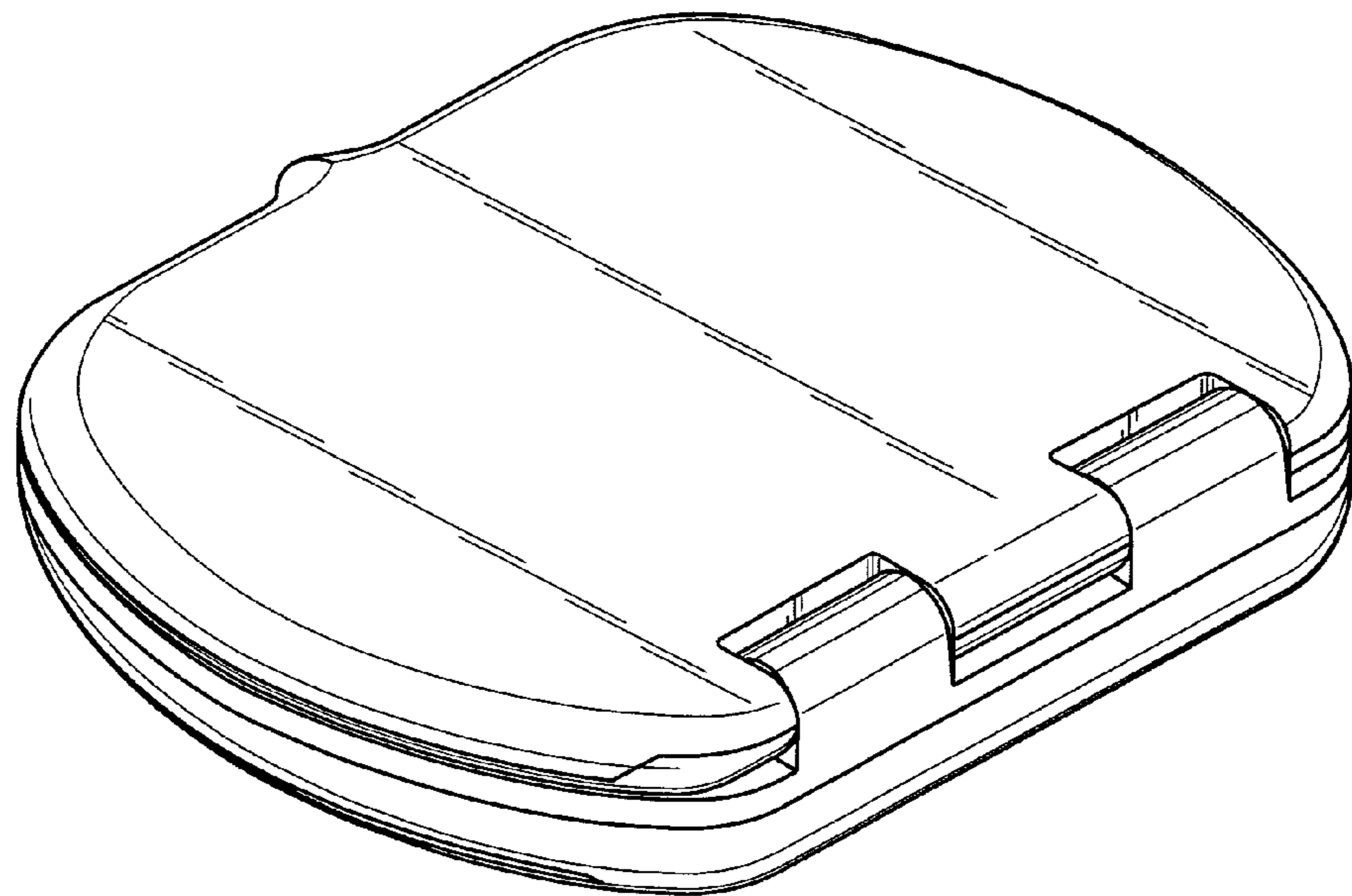
\* cited by examiner

**1 Claim, 16 Drawing Sheets**

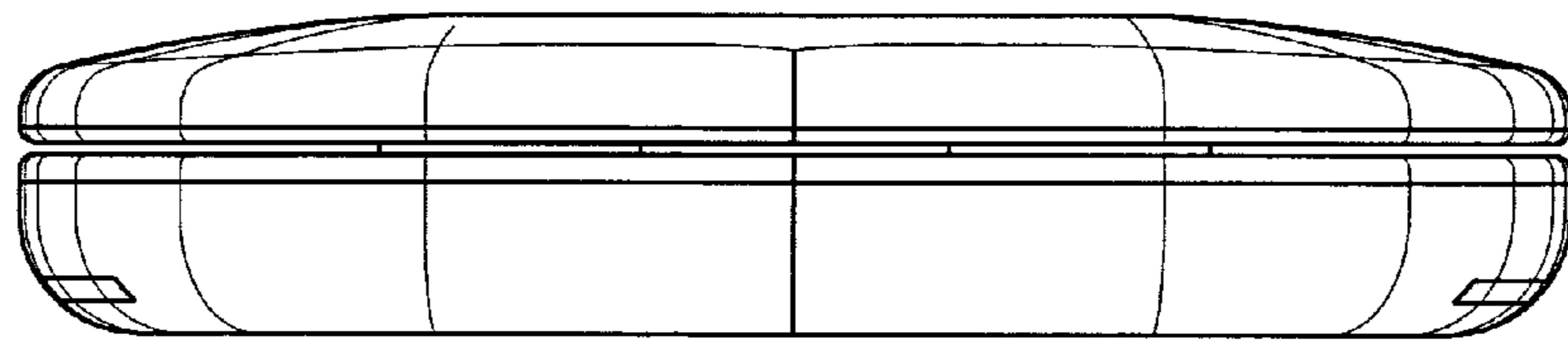




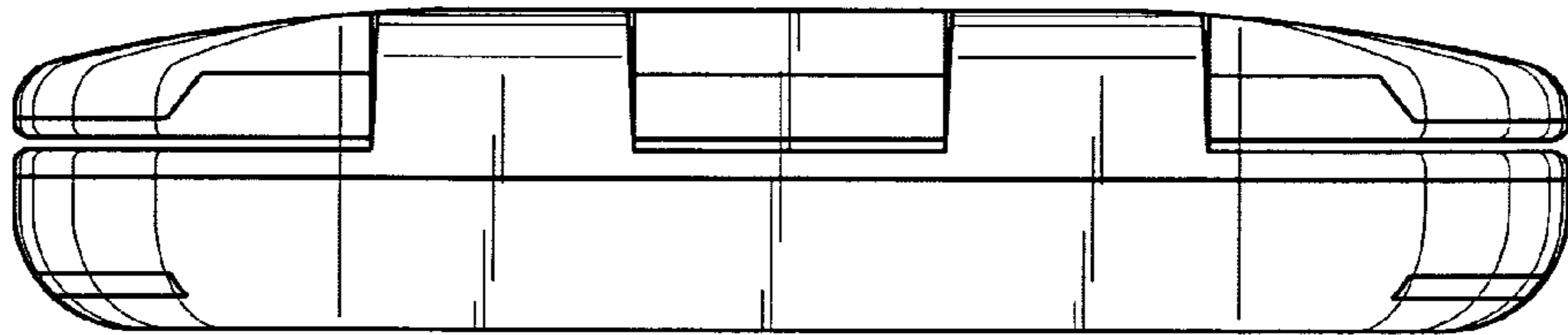
**FIG. 1**



**FIG. 2**



**FIG. 3**



**FIG. 4**

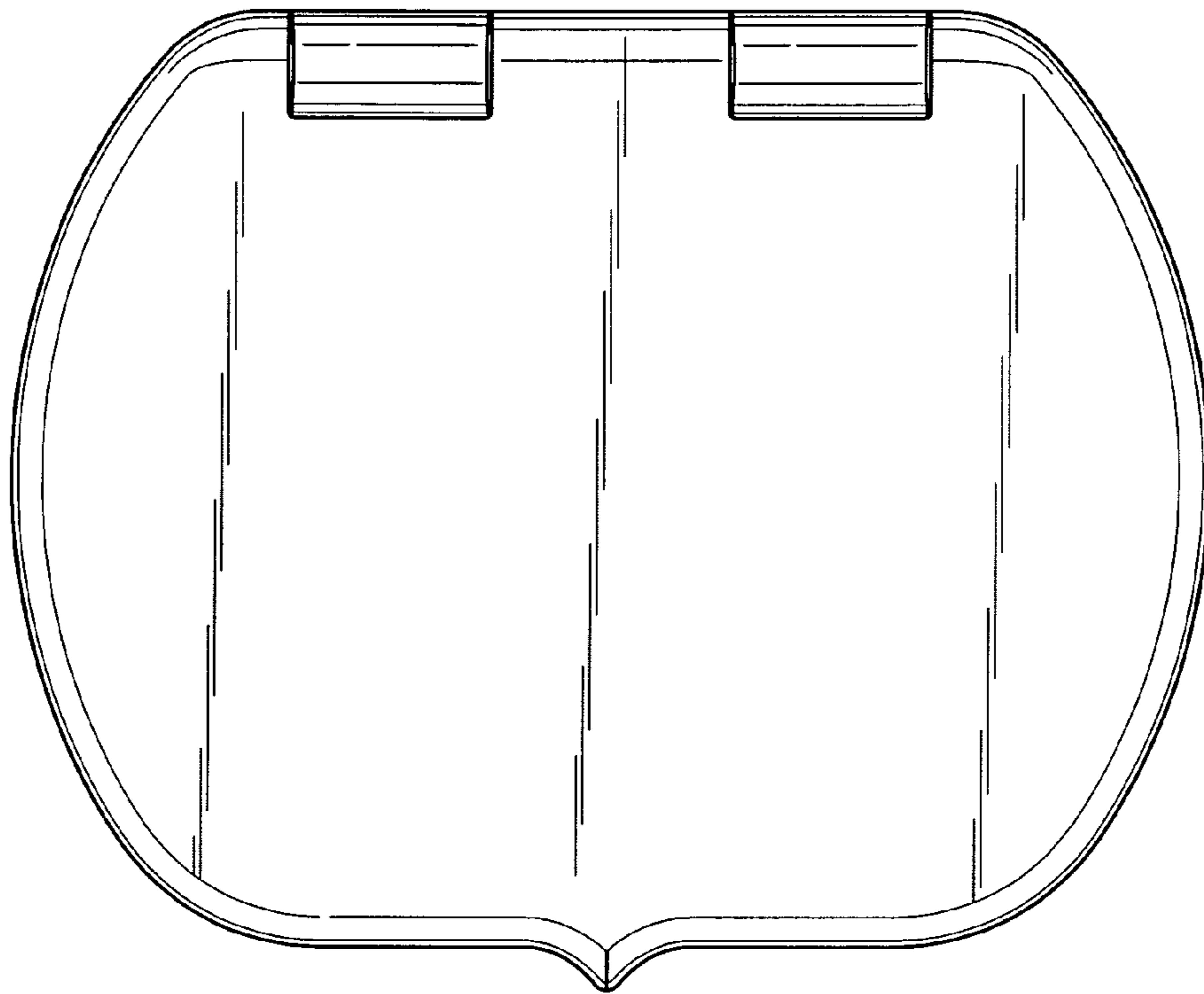
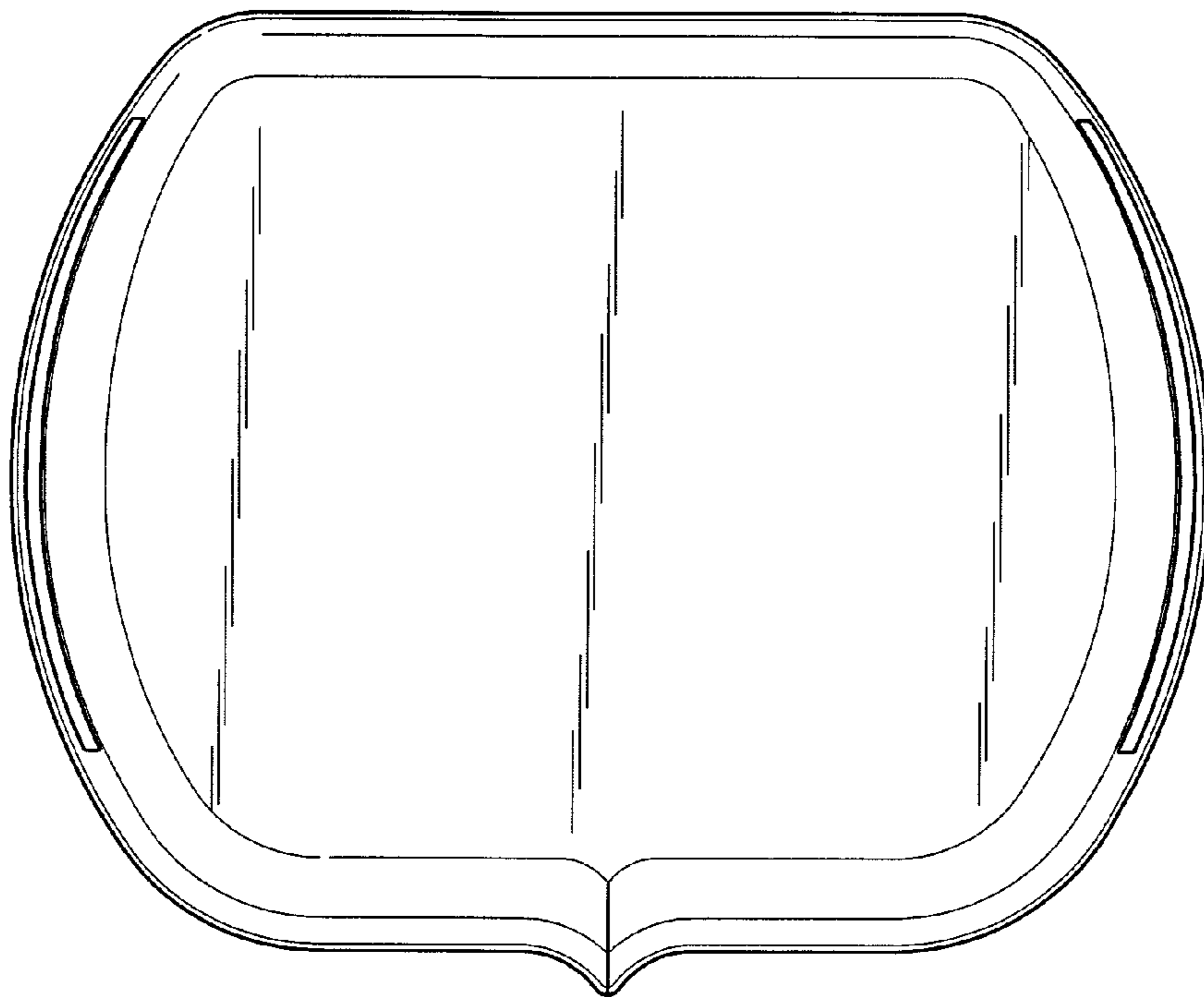
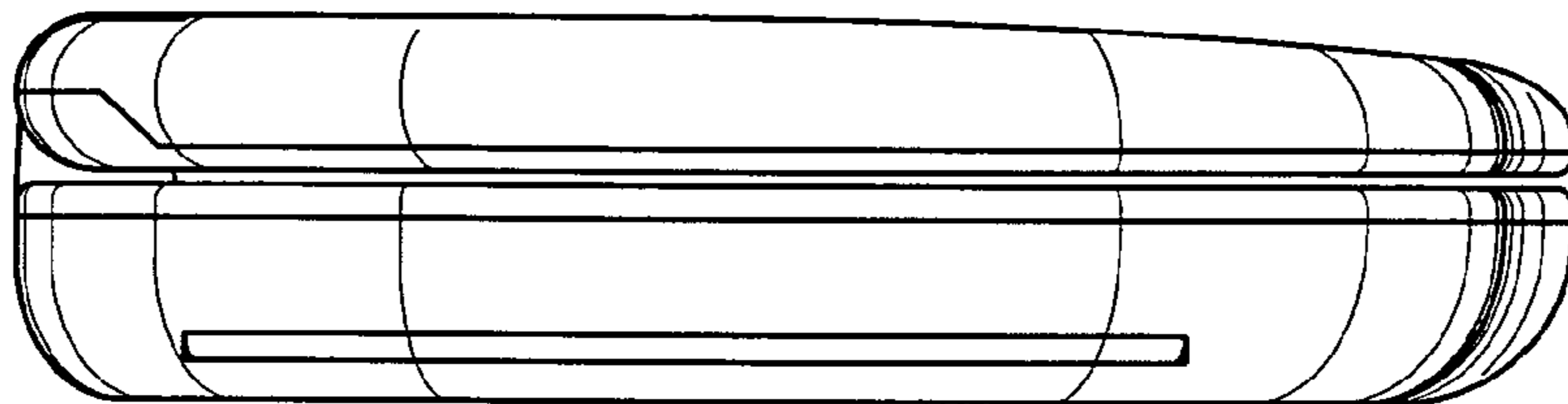


FIG. 5

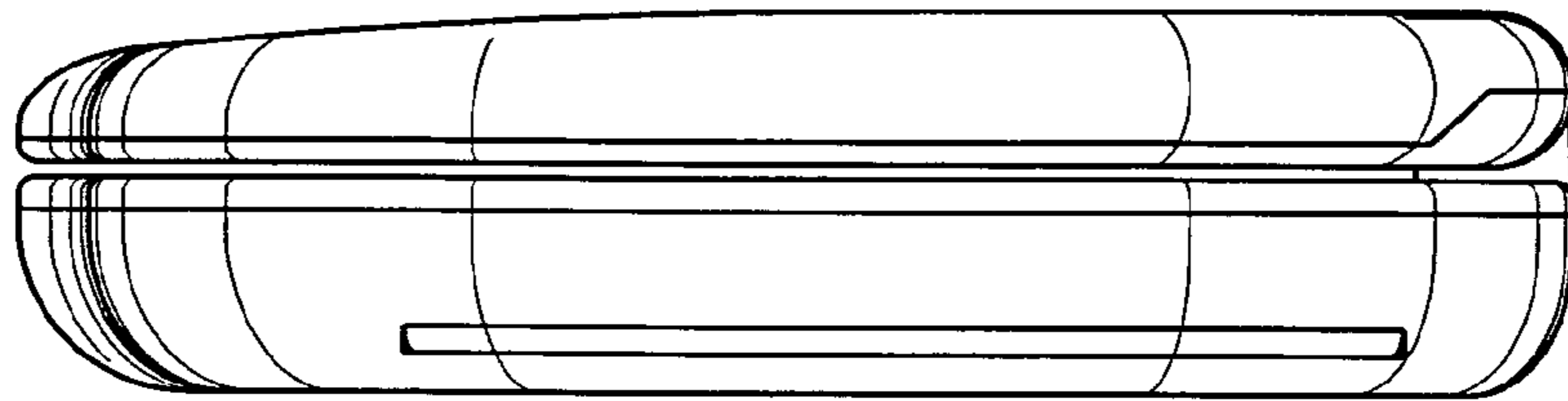


**FIG. 6**



**FIG. 7**





**FIG. 8**

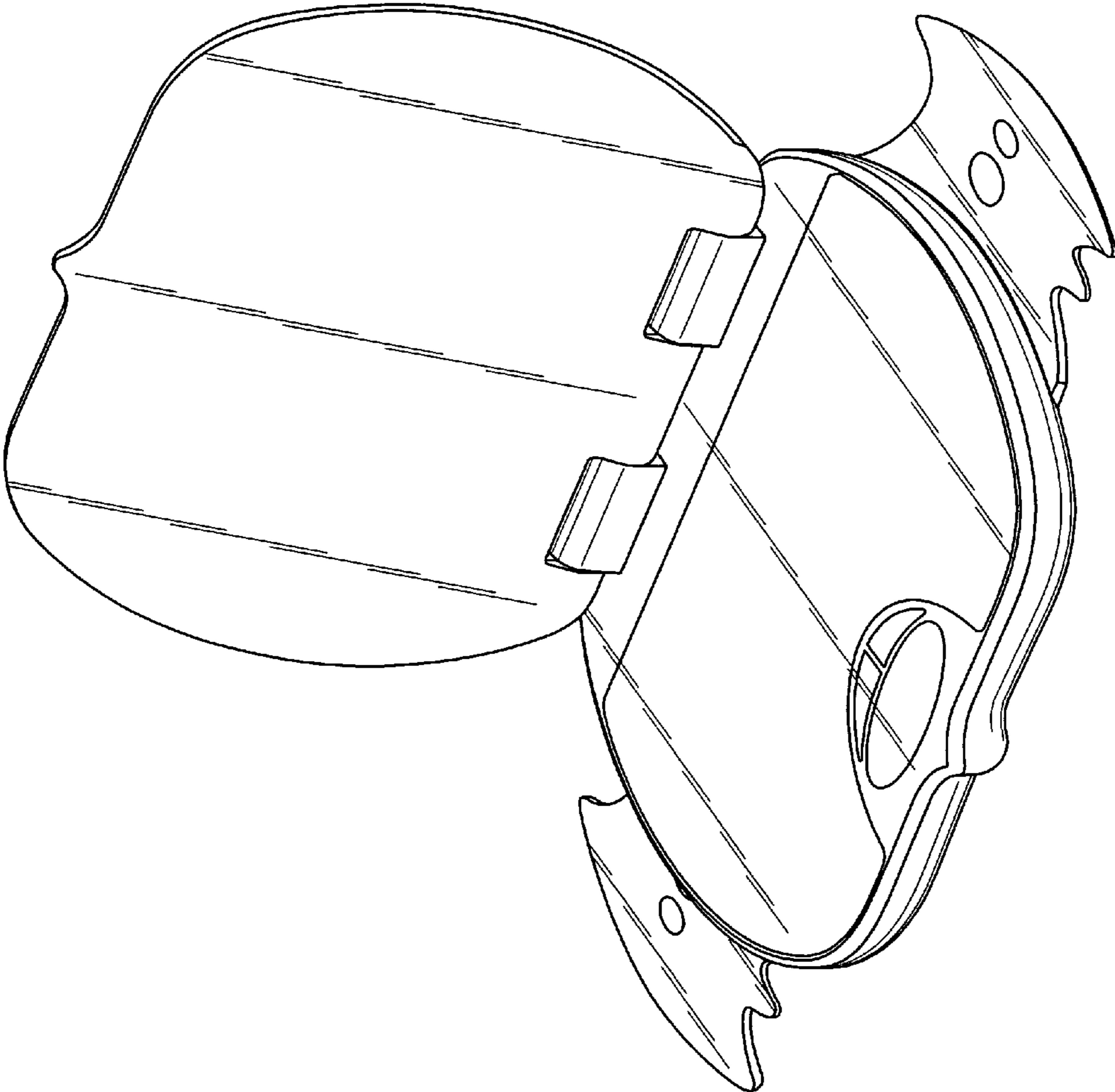


FIG. 9

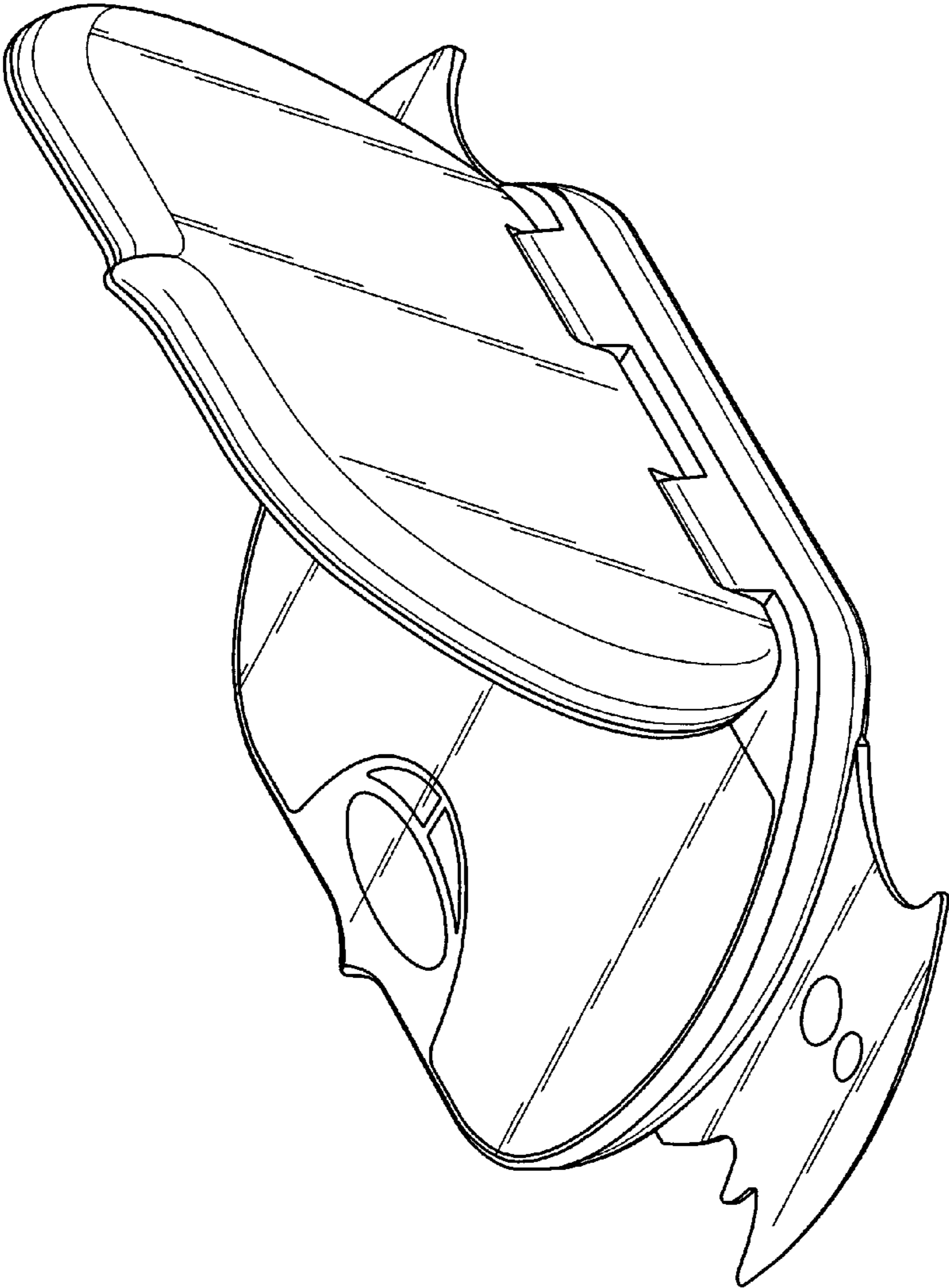


FIG. 10

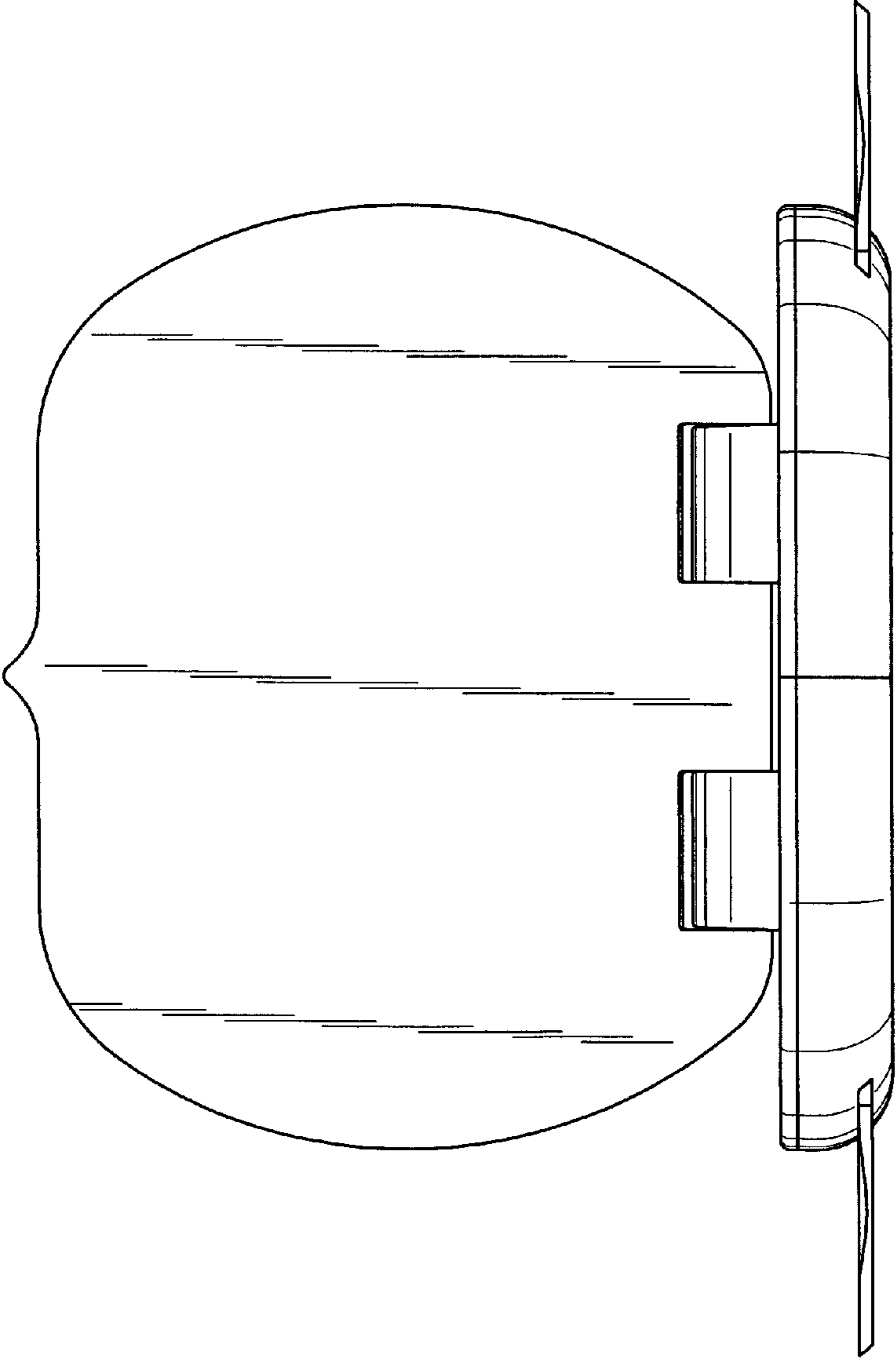


FIG. 11

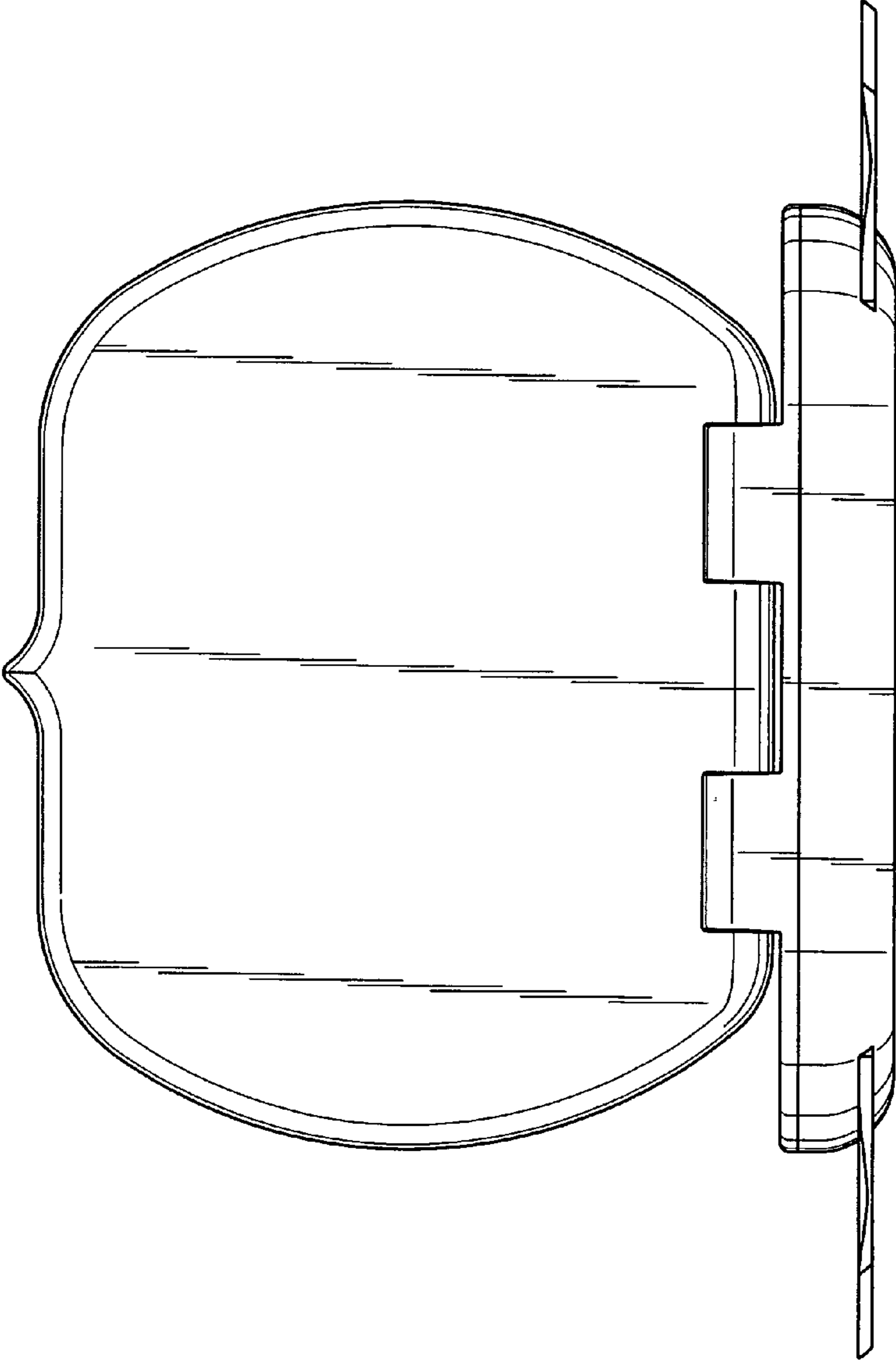


FIG. 12

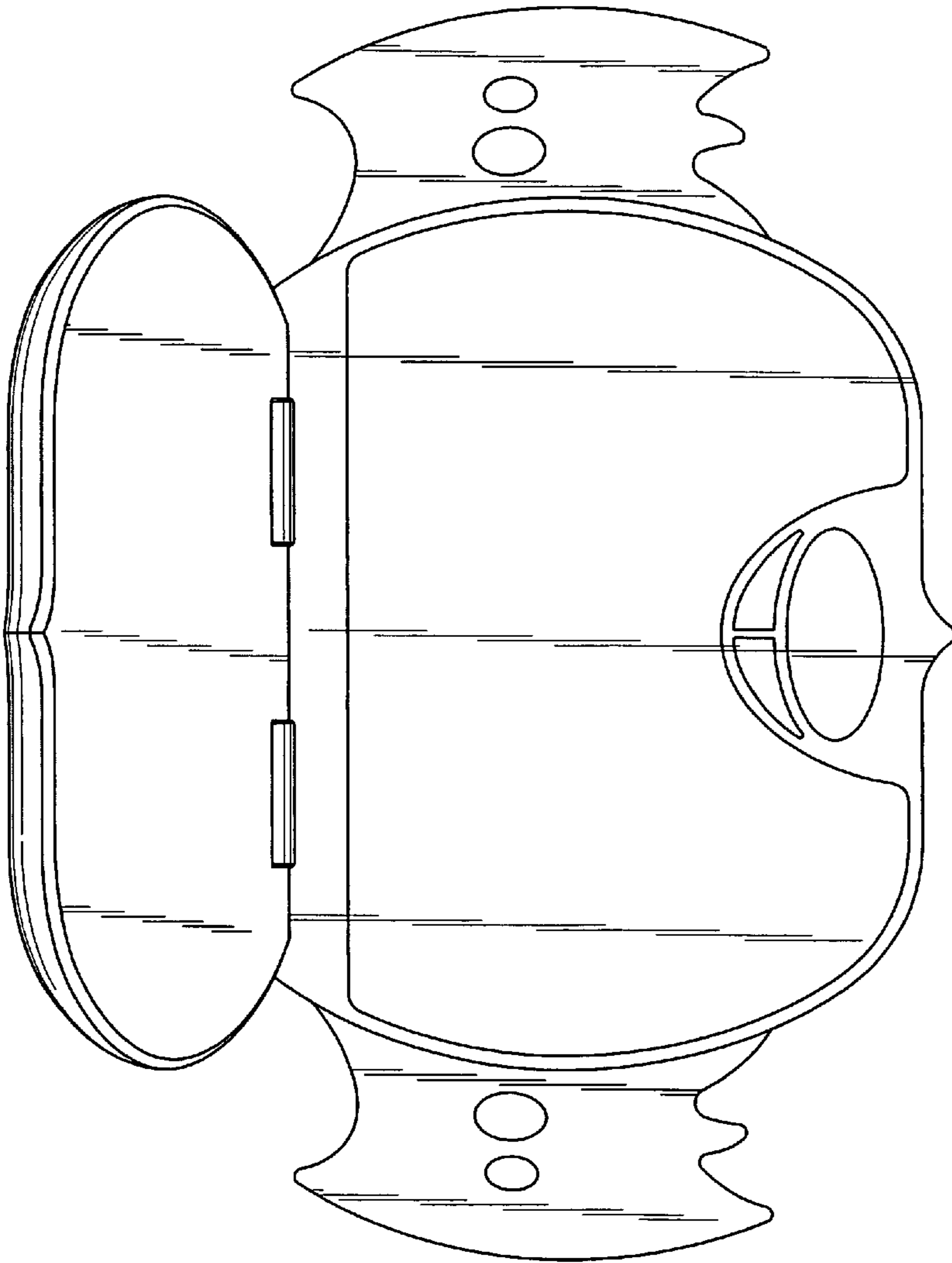


FIG. 13

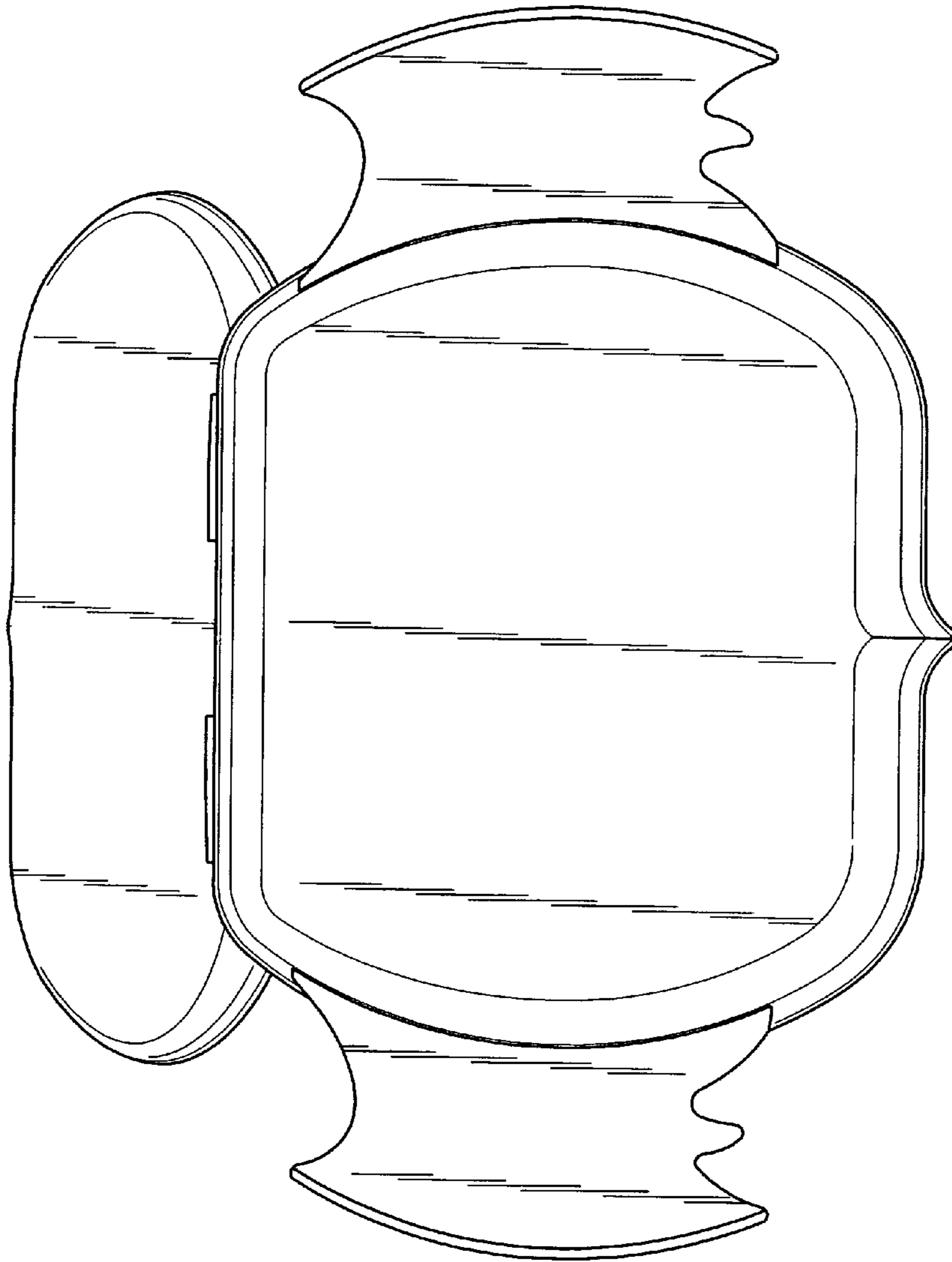


FIG. 14

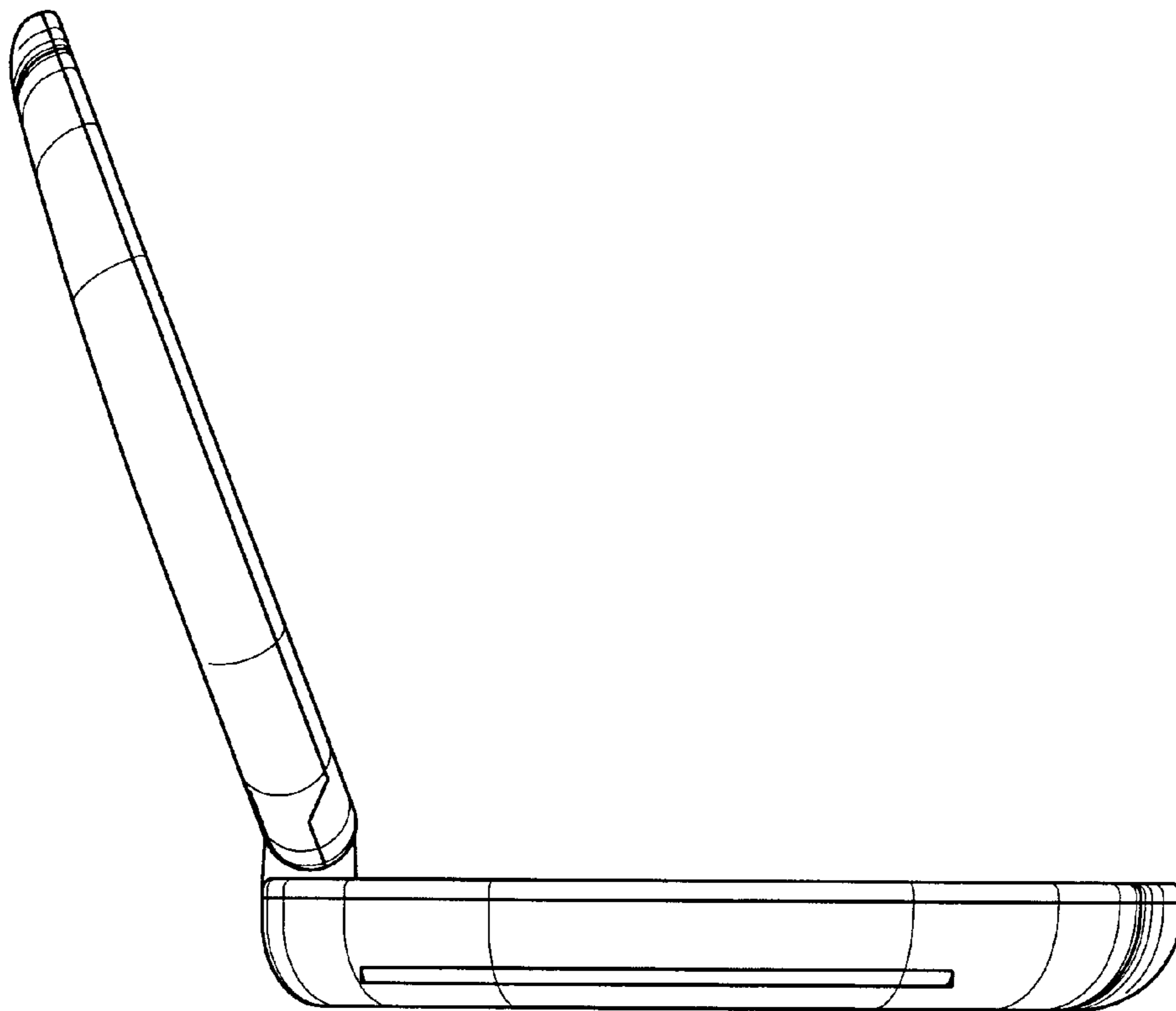


FIG. 15



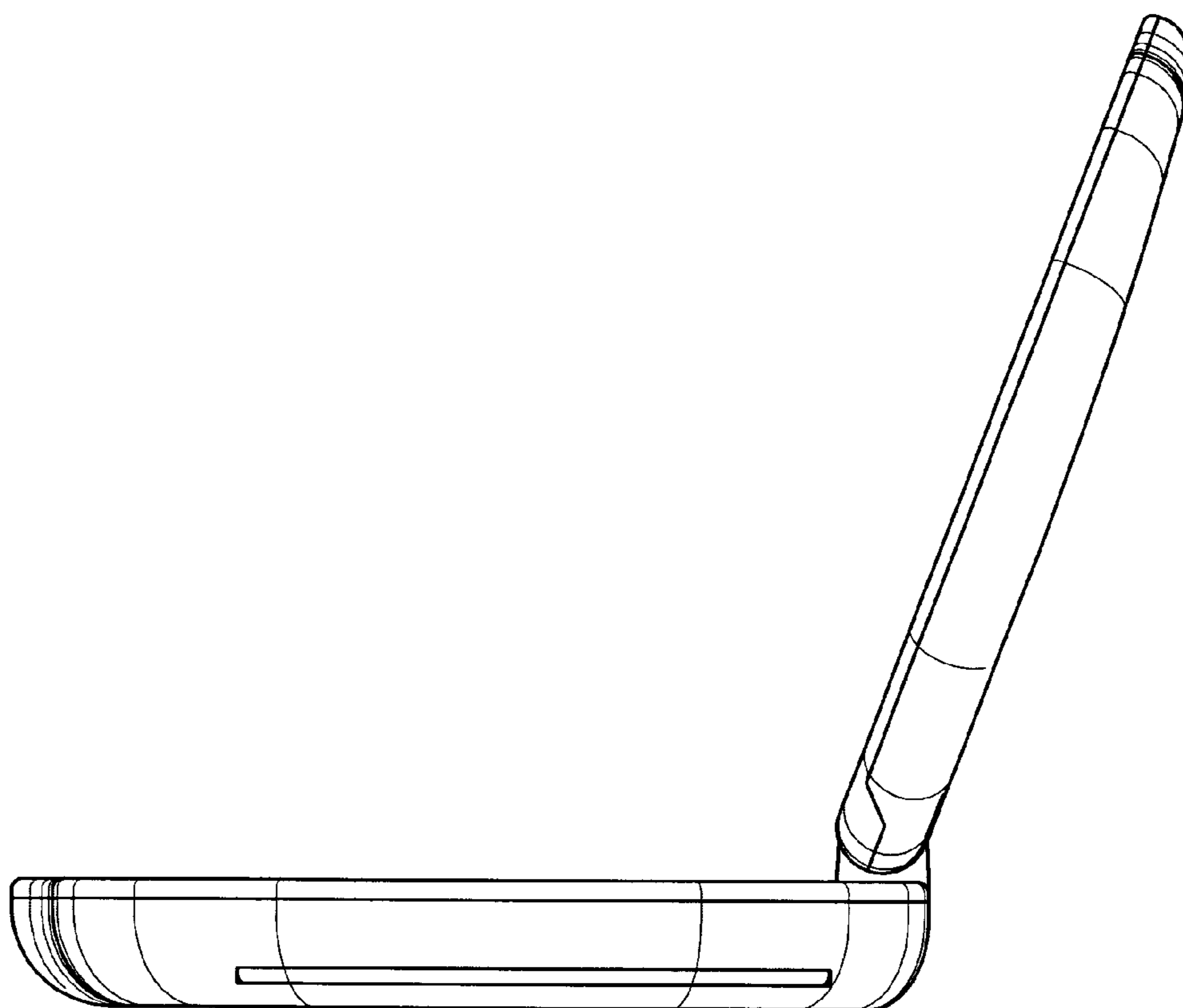


FIG. 16