

US00D546892S

(12) **United States Design Patent**  
**Bruegmann**

(10) **Patent No.:** **US D546,892 S**

(45) **Date of Patent:** **\*\* Jul. 17, 2007**

(54) **SHELF LABEL HOLDER**

(75) Inventor: **Malte Bruegmann**, Dallas, TX (US)

(73) Assignee: **Cytex Plastics, Inc.**, Houston, TX (US)

(\*\*) Term: **14 Years**

(21) Appl. No.: **29/238,490**

(22) Filed: **Sep. 19, 2005**

(51) **LOC (8) Cl.** ..... **20-03**

(52) **U.S. Cl.** ..... **D20/44**

(58) **Field of Classification Search** ..... D20/10,  
D20/15, 43, 44, 99; 40/124.07, 584, 642.01,  
40/642.02, 644, 650; 248/309.1; D6/314  
See application file for complete search history.

(56) **References Cited**

**U.S. PATENT DOCUMENTS**

D62,481 S *	6/1923	Fogarty	.....	D20/44
D189,147 S	11/1960	Hinchcliffe		
3,164,354 A	1/1965	Murdock		
3,168,954 A	2/1965	Von Herrmann		
D209,071 S	10/1967	Koch		
D291,097 S	7/1987	Dalbey et al.		
5,044,104 A	9/1991	Hopperdietzel		
5,419,066 A	5/1995	Harnois et al.		
D370,355 S *	6/1996	Kenney	.....	D6/314
5,899,011 A	5/1999	Brinkman		
6,105,295 A	8/2000	Brinkman et al.		
6,145,232 A	11/2000	Bevins		
6,226,910 B1	5/2001	Ireland		
D443,311 S *	6/2001	Wildrick	.....	D20/43
6,263,603 B1	7/2001	Wildrick		
D453,535 S	2/2002	Wingerei et al.		

D454,163 S	3/2002	Nagel		
6,357,154 B1	3/2002	Pfendler et al.		
6,470,613 B1	10/2002	Wildrick		
D480,434 S *	10/2003	Brinkman et al.	.....	D20/43
6,665,971 B2	12/2003	Lowry et al.		
6,688,567 B2	2/2004	Fast et al.		
6,862,826 B2	3/2005	Lowry et al.		
6,971,201 B2 *	12/2005	Brinkman et al.	.....	40/642.02
D531,227 S *	10/2006	Mueller et al.	.....	D20/44
2005/0166438 A1	8/2005	Mueller et al.		

\* cited by examiner

*Primary Examiner*—Robert M. Spear

*Assistant Examiner*—Mary Ann Calabrese

(74) *Attorney, Agent, or Firm*—Locke Liddell & Sapp, LLP

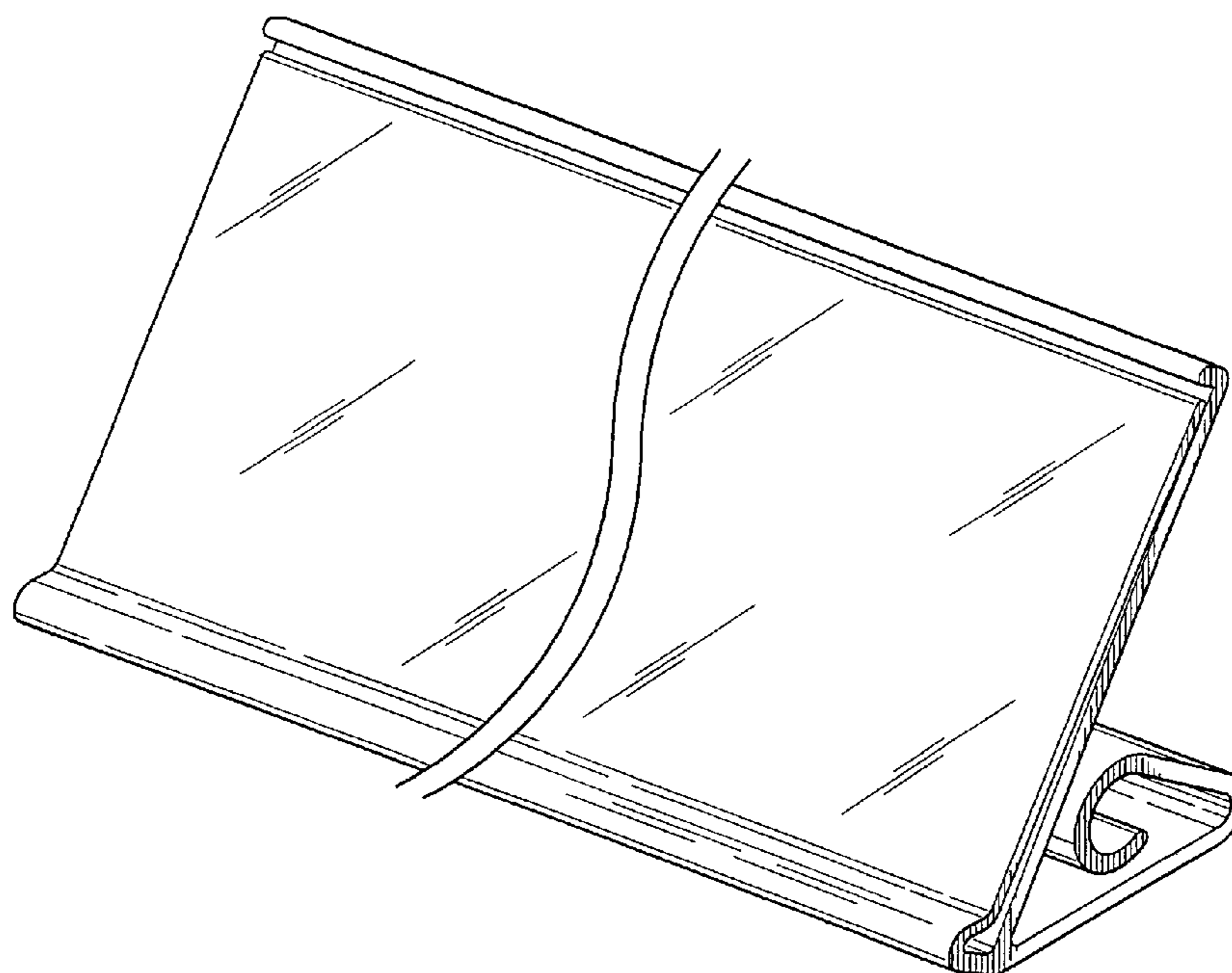
(57) **CLAIM**

The ornamental design for a shelf label holder, as shown and described.

**DESCRIPTION**

FIG. 1 is a perspective view of my new shelf label holder; FIG. 2 is a rear elevational view thereof; FIG. 3 is a right side elevational view thereof; FIG. 4 is a bottom plan view thereof; FIG. 5 is a top plan view thereof; FIG. 6 is a front elevational view thereof; and, FIG. 7 is a left side elevational view thereof. The break lines shown in FIGS. 1, 2, 4, 5 and 6 indicate the label holder has indeterminate length and form no part of the claimed design.

**1 Claim, 2 Drawing Sheets**



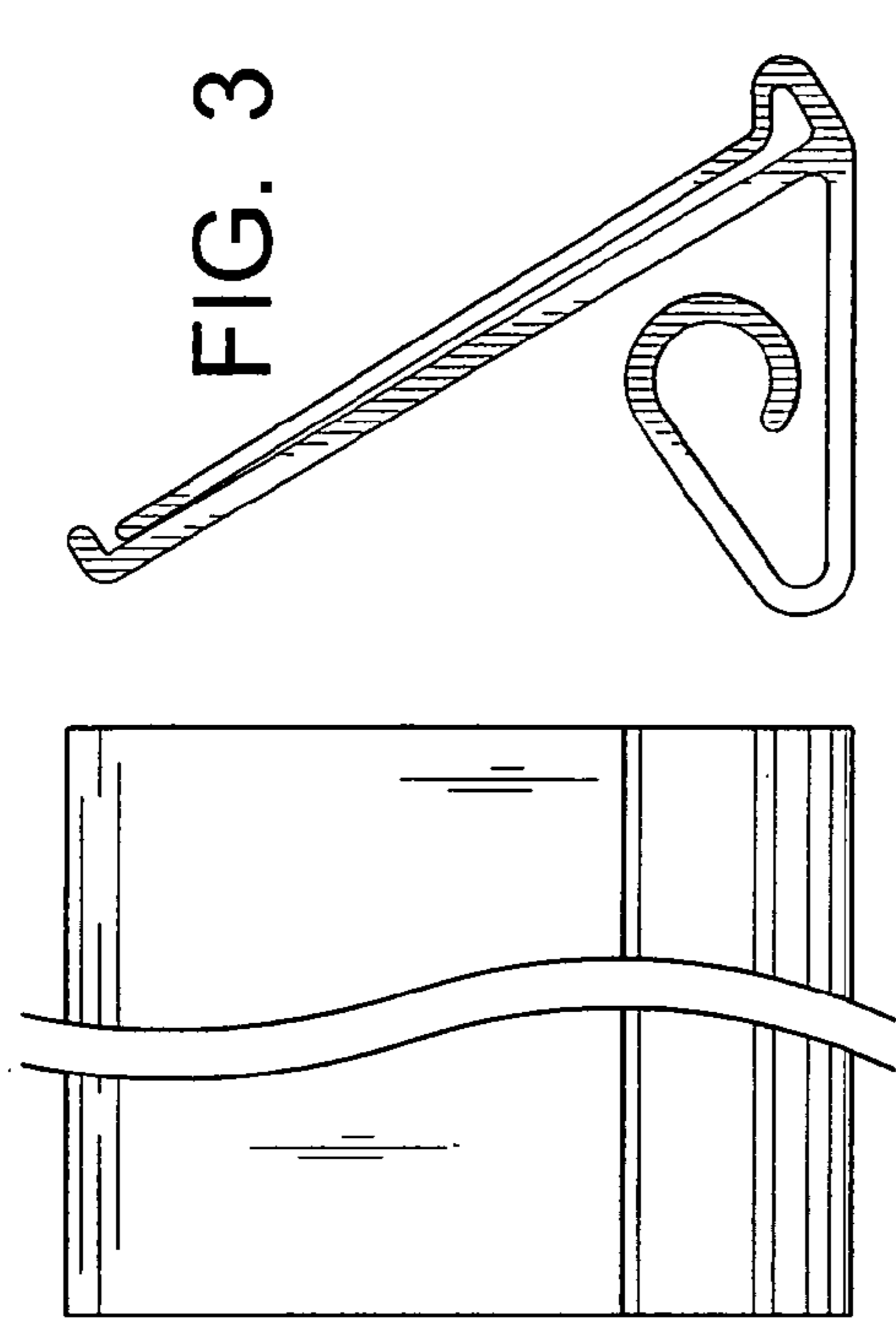


FIG. 3

FIG. 2

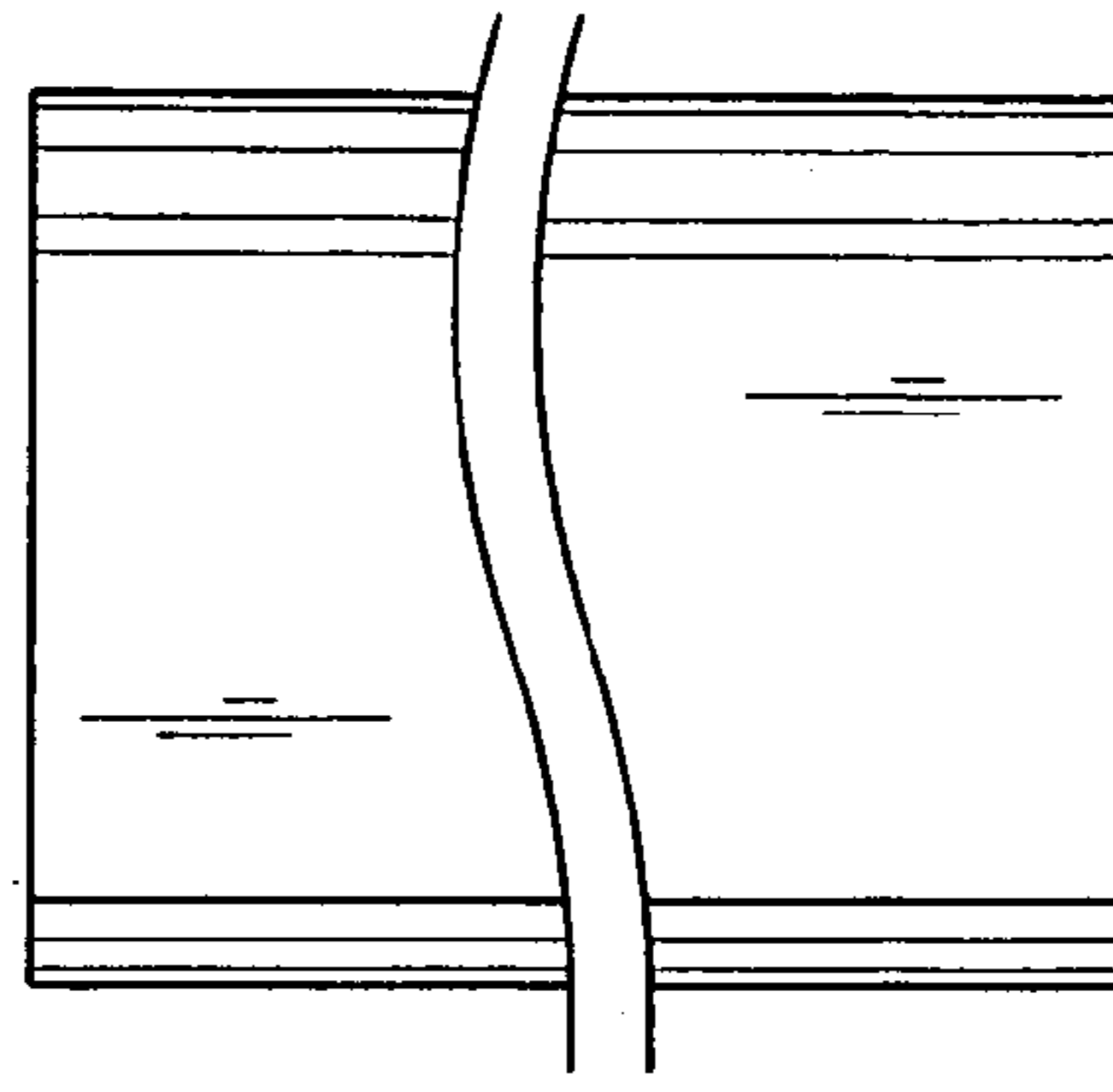


FIG. 4

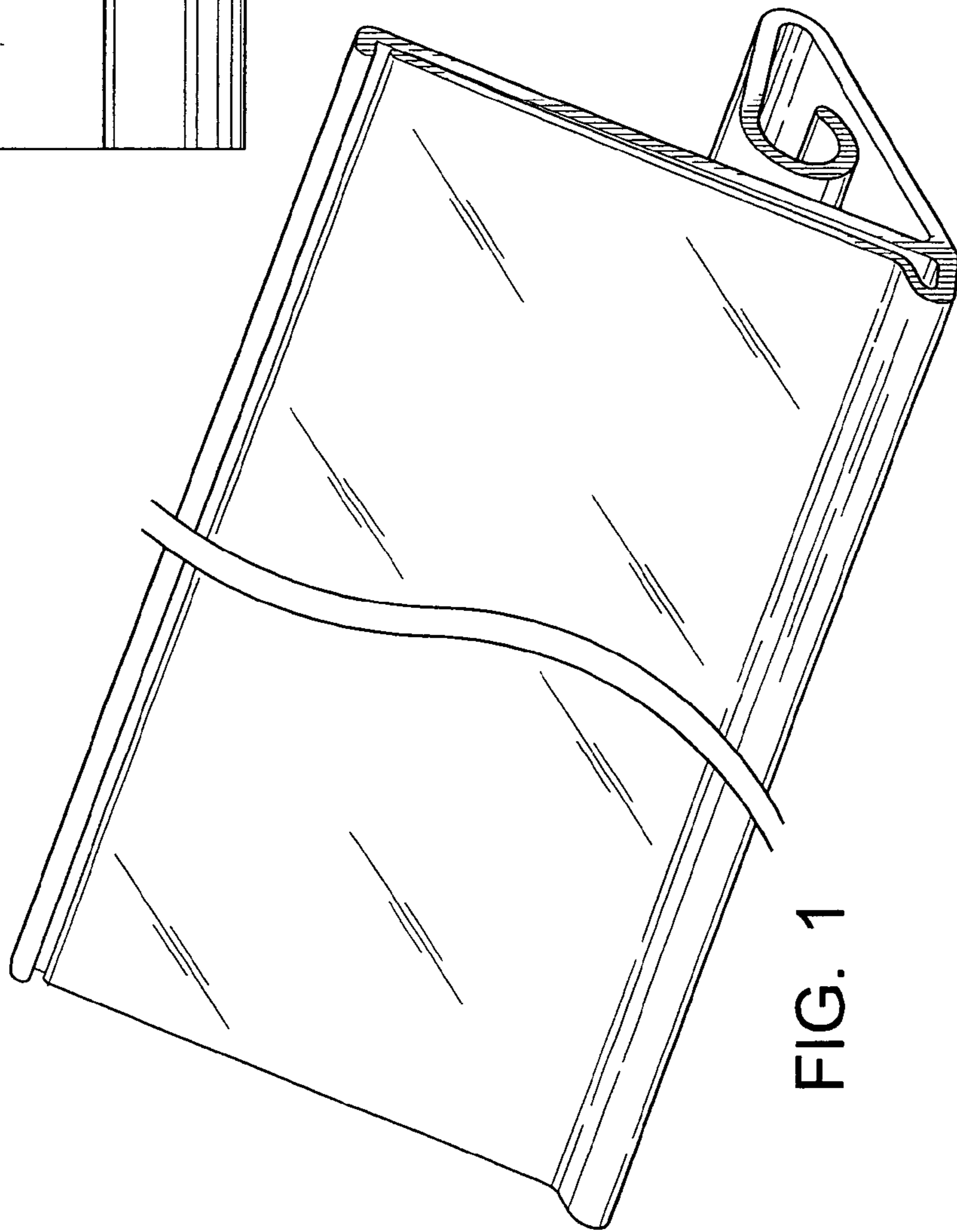


FIG. 1

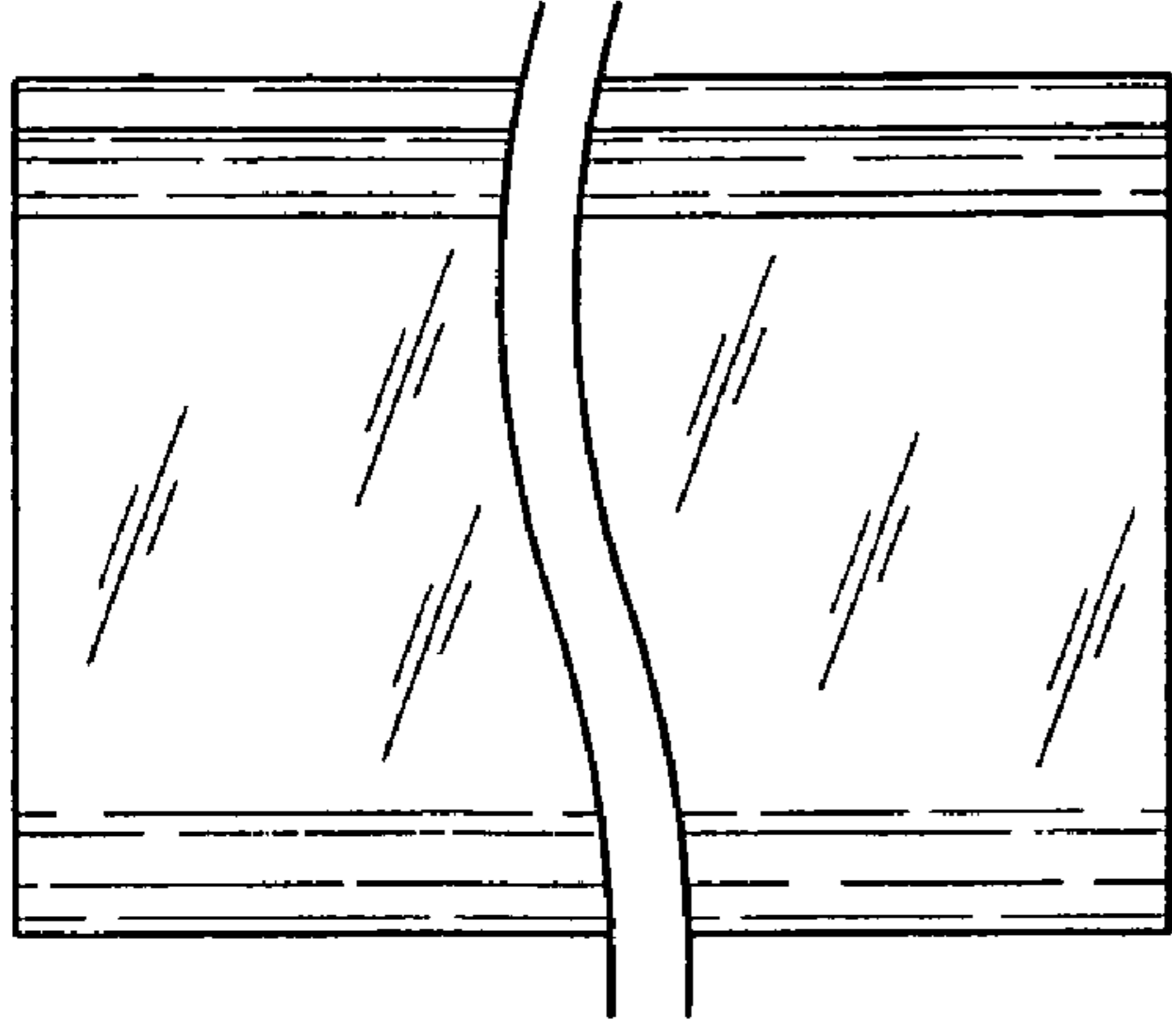


FIG. 5

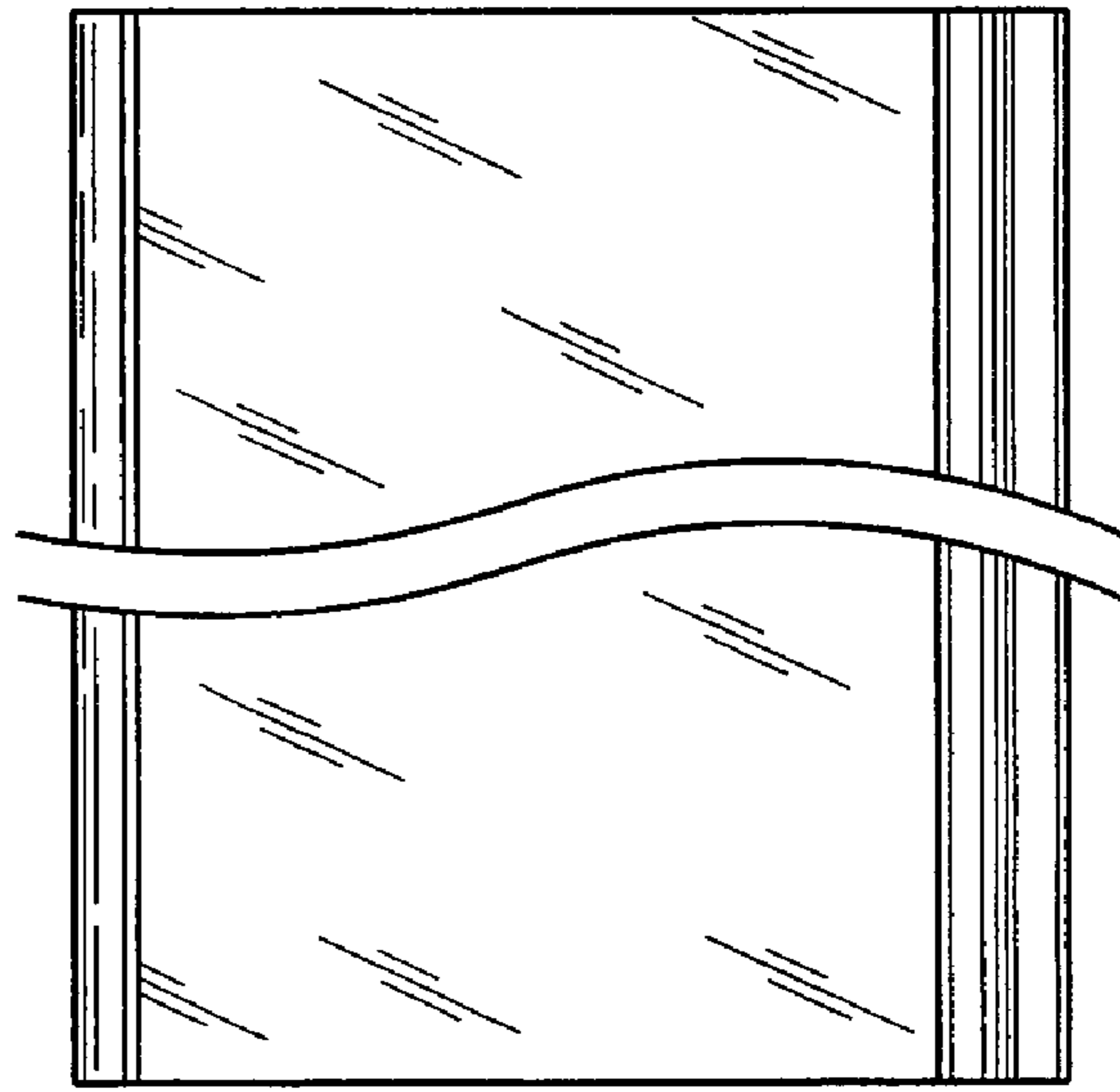


FIG. 6

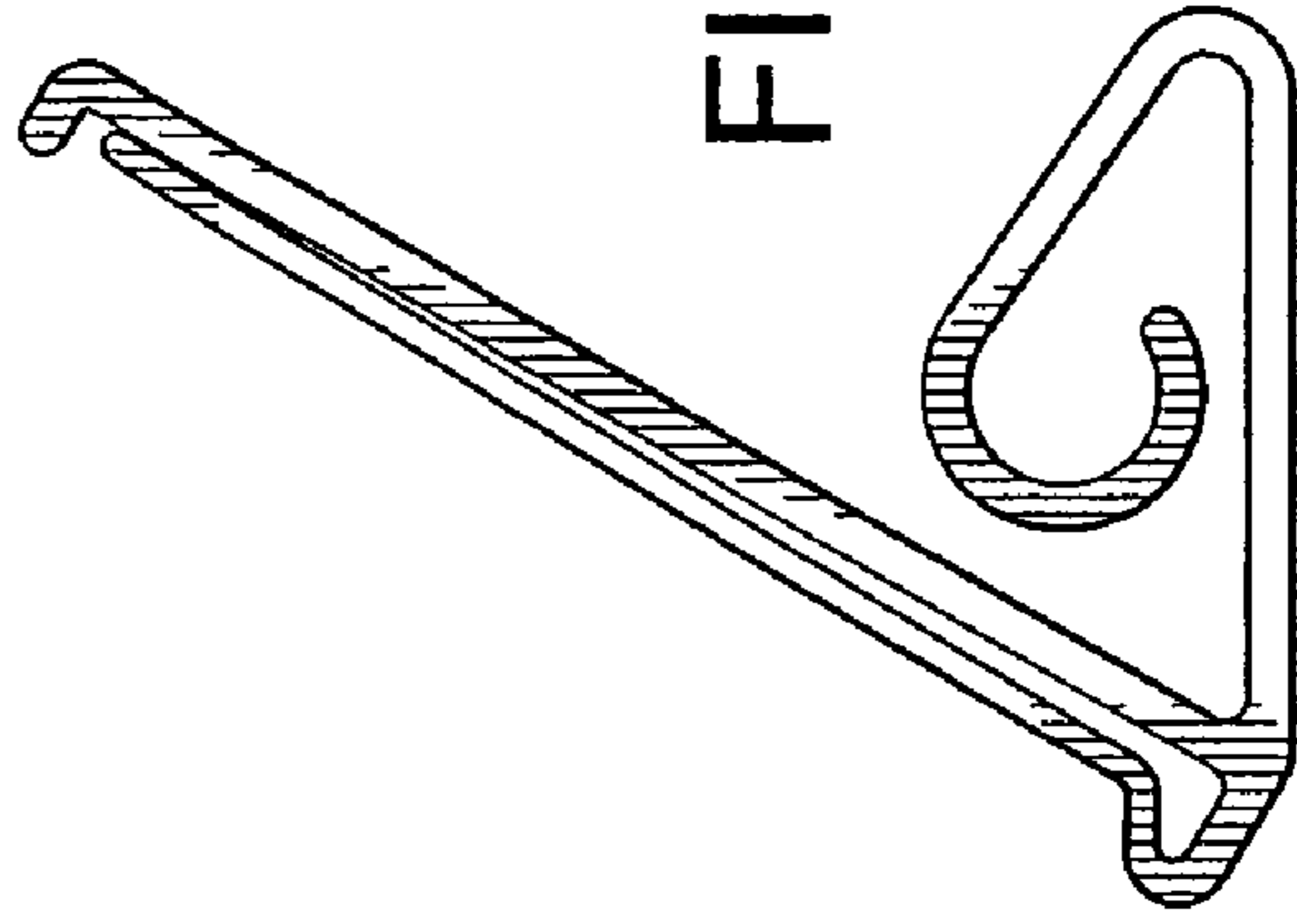


FIG. 7