



US00D546891S

(12) **United States Design Patent**
Adams

(10) **Patent No.:** **US D546,891 S**

(45) **Date of Patent:** **** Jul. 17, 2007**

(54) **SIGN SUPPORT**

(76) Inventor: **Tim Adams**, 100 Tanuster Rd.,
Greenback, TN (US) 37742

(**) Term: **14 Years**

(21) Appl. No.: **29/220,439**

(22) Filed: **Dec. 29, 2004**

Related U.S. Application Data

(63) Continuation-in-part of application No. 29/214,192, filed on
Sep. 28, 2004.

(51) **LOC (8) Cl.** **20-03**

(52) **U.S. Cl.** **D20/35**

(58) **Field of Classification Search** D20/10,
D20/13, 29, 30, 35, 39, 41, 43, 99; D1/113;
40/545, 606.01, 606.18, 624; 248/512, 530;
362/263, 812

See application file for complete search history.

(56) **References Cited**

U.S. PATENT DOCUMENTS

D44,658 S * 9/1913 Curwen et al. D20/35
D83,550 S * 3/1931 Knabenshue D20/35
2,138,533 A * 11/1938 Akers 40/545
2,171,705 A * 9/1939 Leonard et al. 313/546

D310,545 S * 9/1990 Avittan D20/10
D325,882 S * 5/1992 Powell D10/109
D416,122 S * 11/1999 Fink et al. D1/113
6,419,374 B1 * 7/2002 Goldscher 362/263

* cited by examiner

Primary Examiner—Robert M. Spear

(57) **CLAIM**

The ornamental design for a sign support as shown and
described.

DESCRIPTION

FIG. 1 is an upper perspective view of a sign support
showing my new design.

FIG. 2 is a front view of a sign support showing my new
design.

FIG. 3 is a rear view of a sign support showing my new
design.

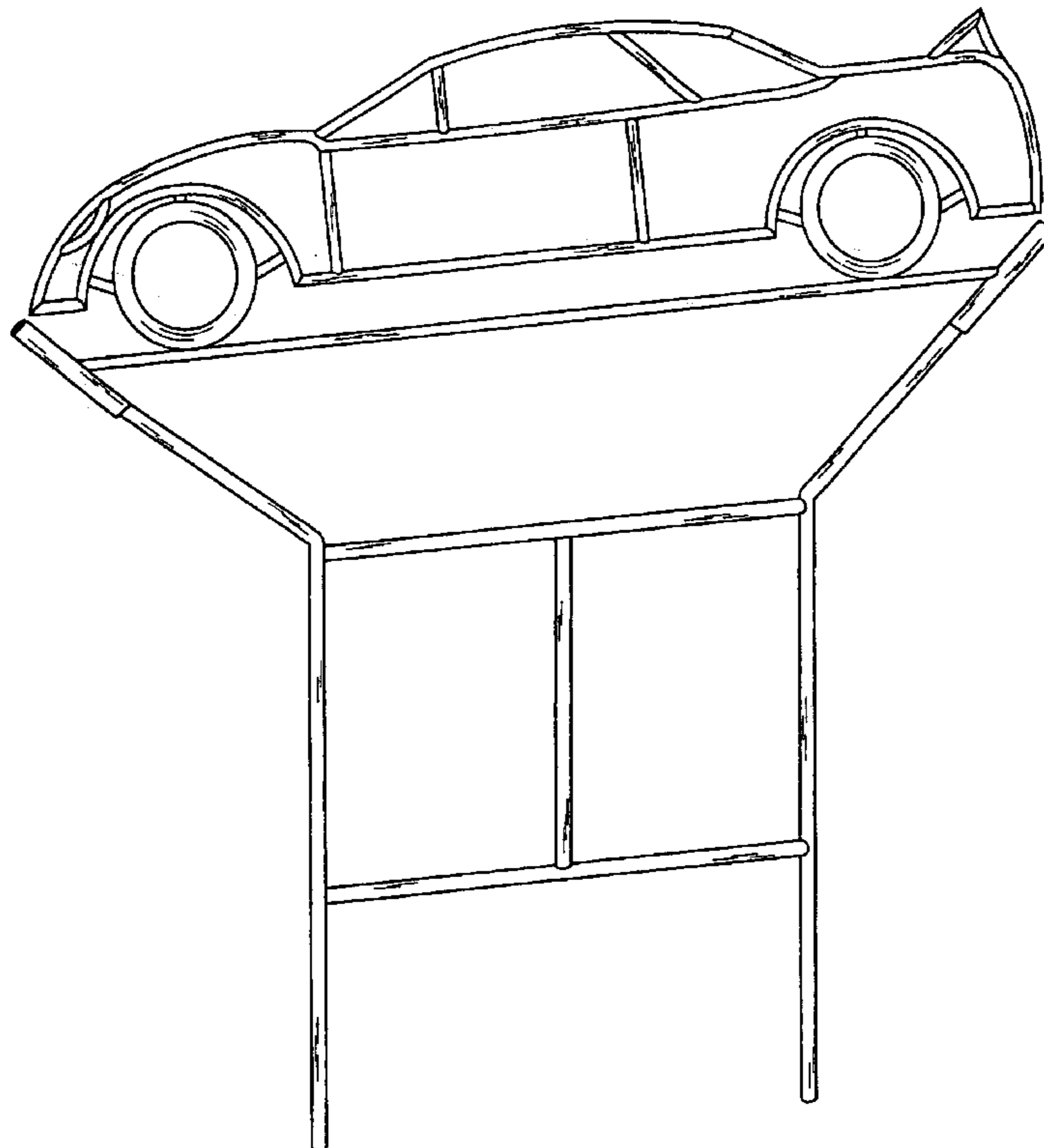
FIG. 4 is a left side view of a sign support showing my new
design.

FIG. 5 is a right side view of a sign support showing my new
design.

FIG. 6 is a top view of a sign support showing my new
design; and,

FIG. 7 is a bottom view of a sign support showing my new
design.

1 Claim, 7 Drawing Sheets



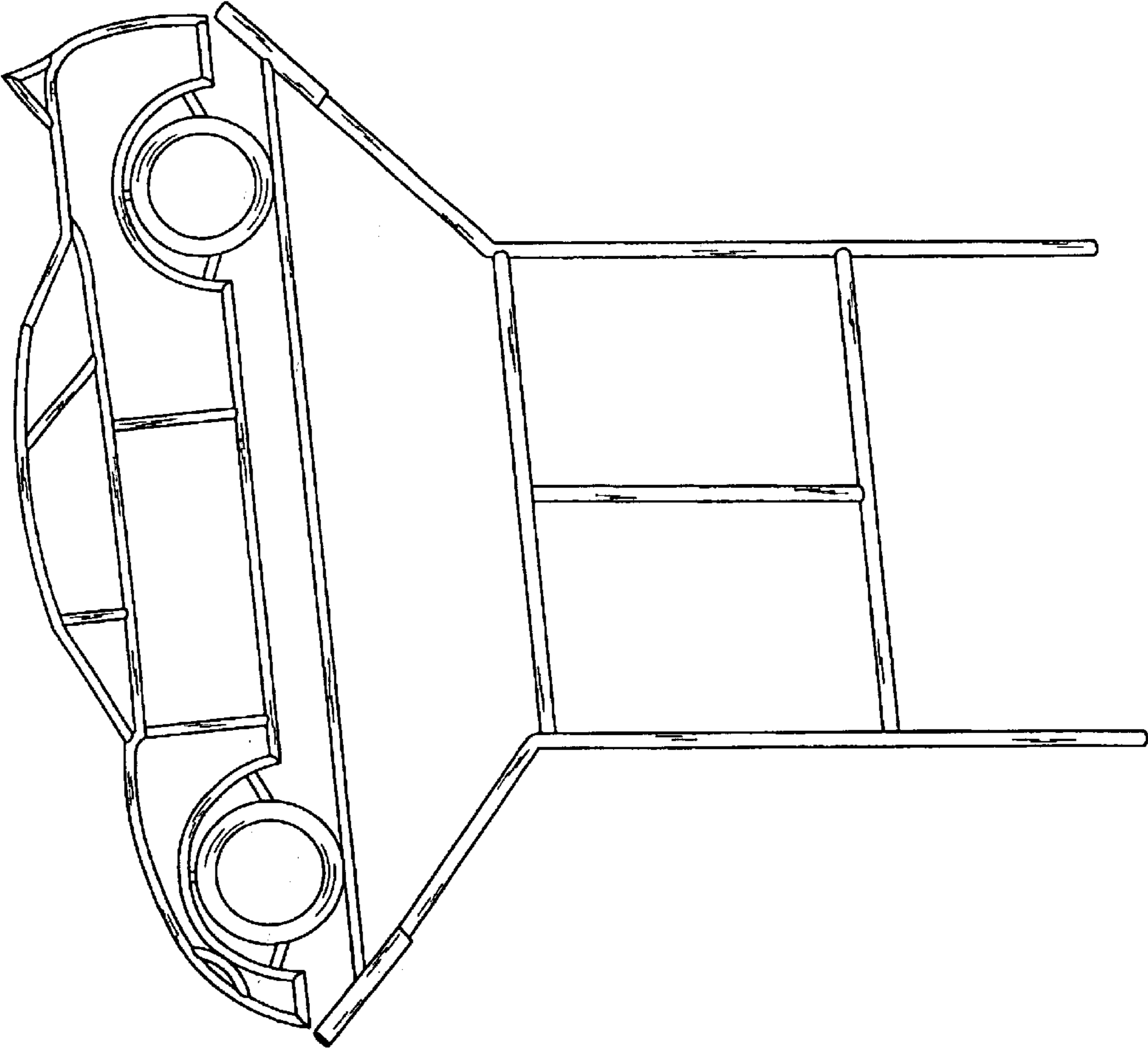


FIG. 1

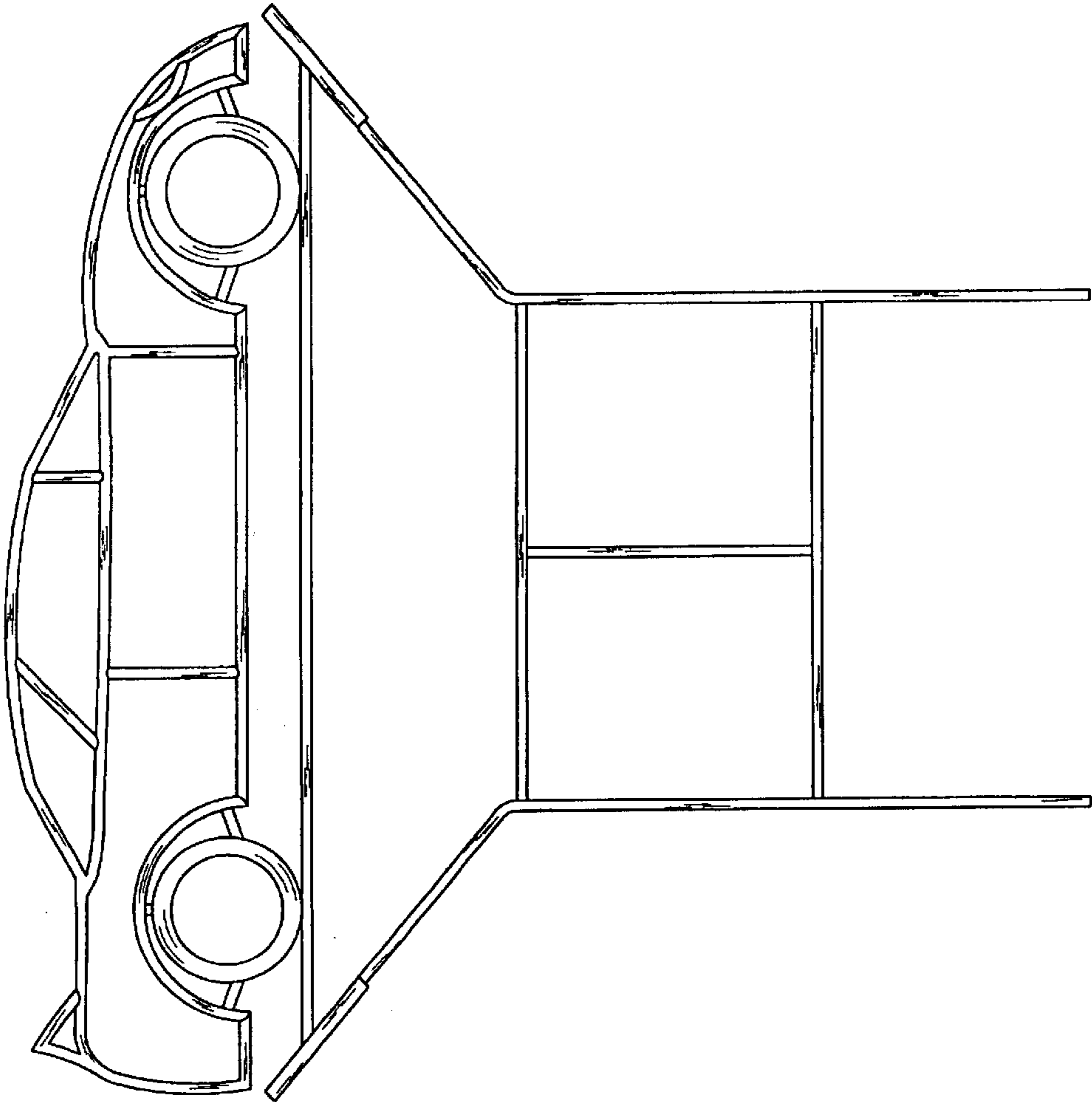


FIG. 2

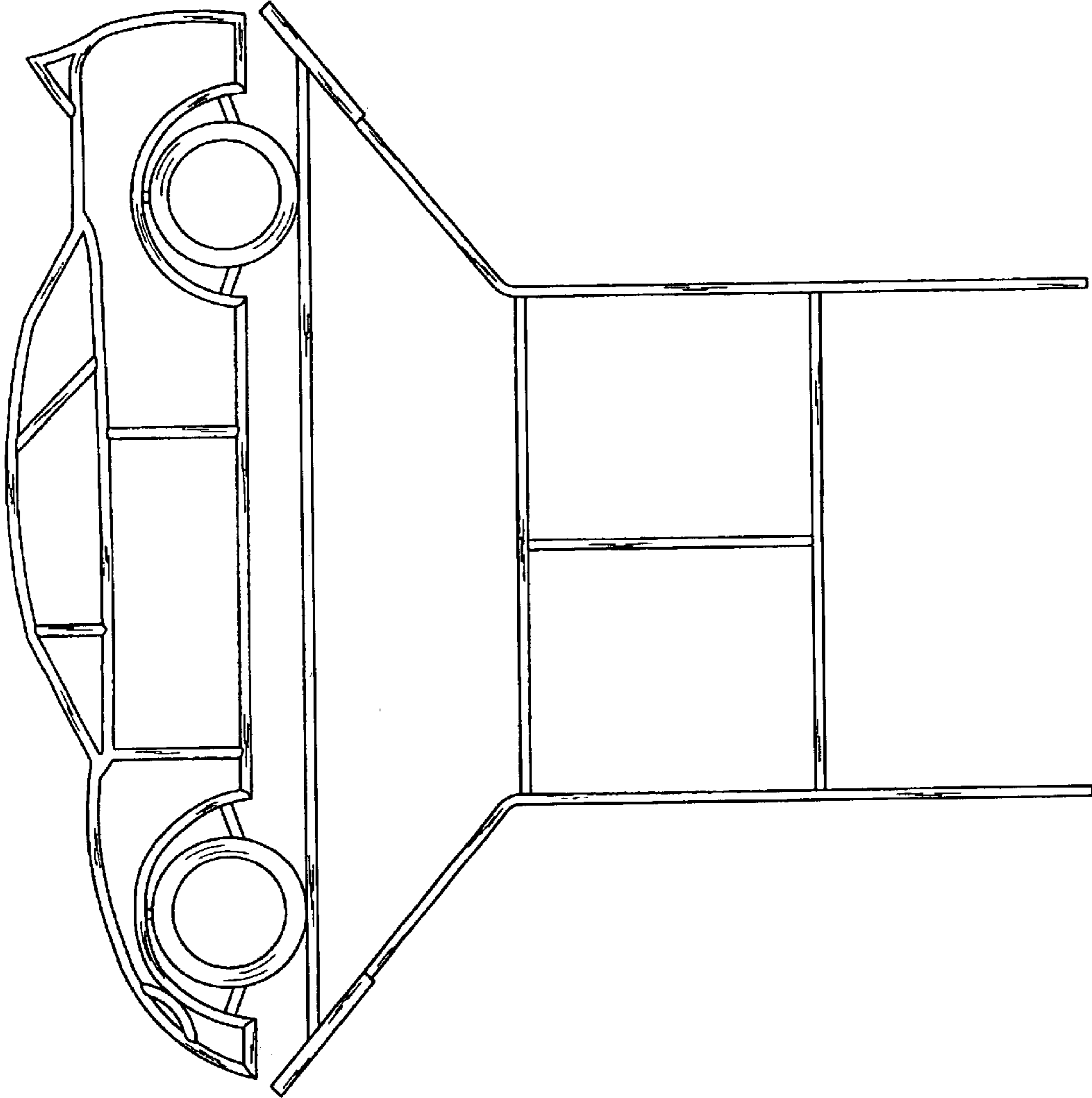
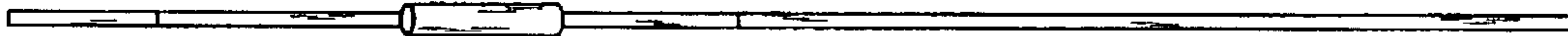


FIG. 3

FIG. 4



FIG. 5



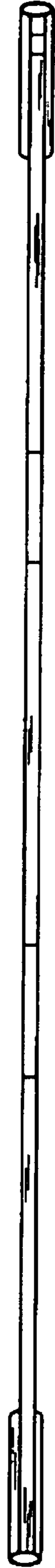


FIG. 6



FIG. 7