



US00D546889S

(12) **United States Design Patent**
Bhavnani

(10) **Patent No.:** **US D546,889 S**

(45) **Date of Patent:** **** Jul. 17, 2007**

(54) **BUSINESS CARD HOLDER**

(75) Inventor: **Dilip Bhavnani**, Beverly Hills, CA
(US)

(73) Assignee: **Sun Coast Merchandise Corporation**,
Commerce, CA (US)

(**) Term: **14 Years**

(21) Appl. No.: **29/245,162**

(22) Filed: **Dec. 19, 2005**

(51) **LOC (8) Cl.** **19-02**

(52) **U.S. Cl.** **D19/91**

(58) **Field of Classification Search** D6/310,
D6/475, 476, 512; D19/75, 78, 86, 87, 90,
D19/91, 92; 206/215, 425, 449; 211/11,
211/45, 50, 55

See application file for complete search history.

(56) **References Cited**

U.S. PATENT DOCUMENTS

2,557,399 A * 6/1951 Teetor 40/124.04
D261,533 S * 10/1981 Nagley D19/91

D279,630 S * 7/1985 Bart D6/567
D313,047 S * 12/1990 Evenson D19/99
D337,619 S * 7/1993 Evenson D19/99
D437,600 S * 2/2001 Calfee D14/447

* cited by examiner

Primary Examiner—Elizabeth A. Albert

(74) *Attorney, Agent, or Firm*—The Soni Law Firm

(57) **CLAIM**

The ornamental design for a business card holder, as shown and described.

DESCRIPTION

FIG. 1 is a front side perspective view of a business card holder showing my new design.

FIG. 2 is a front view thereof;

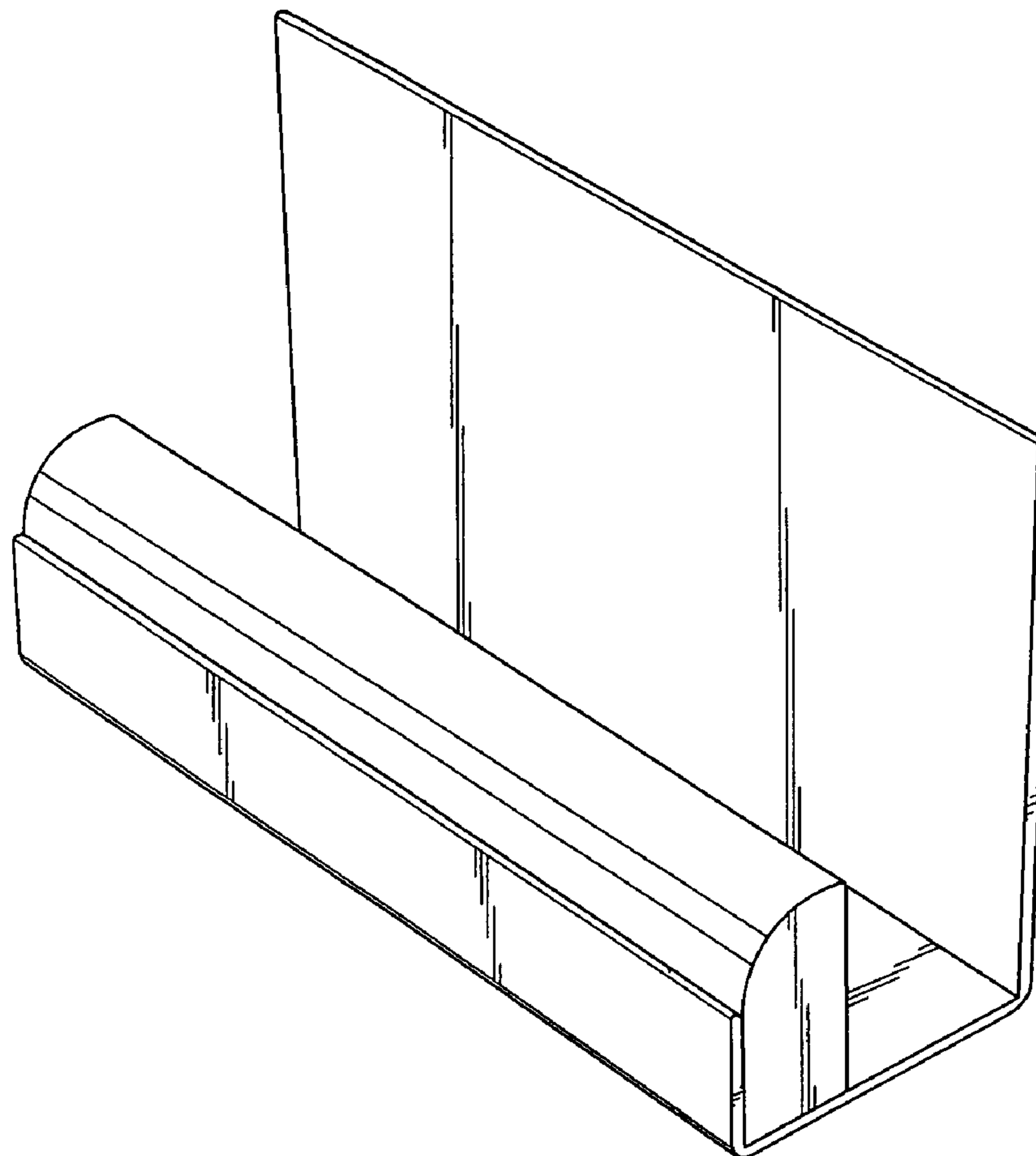
FIG. 3 is a side view thereof;

FIG. 4 is a top view thereof;

FIG. 5 is a back view thereof; and,

FIG. 6 is a bottom view thereof.

1 Claim, 2 Drawing Sheets



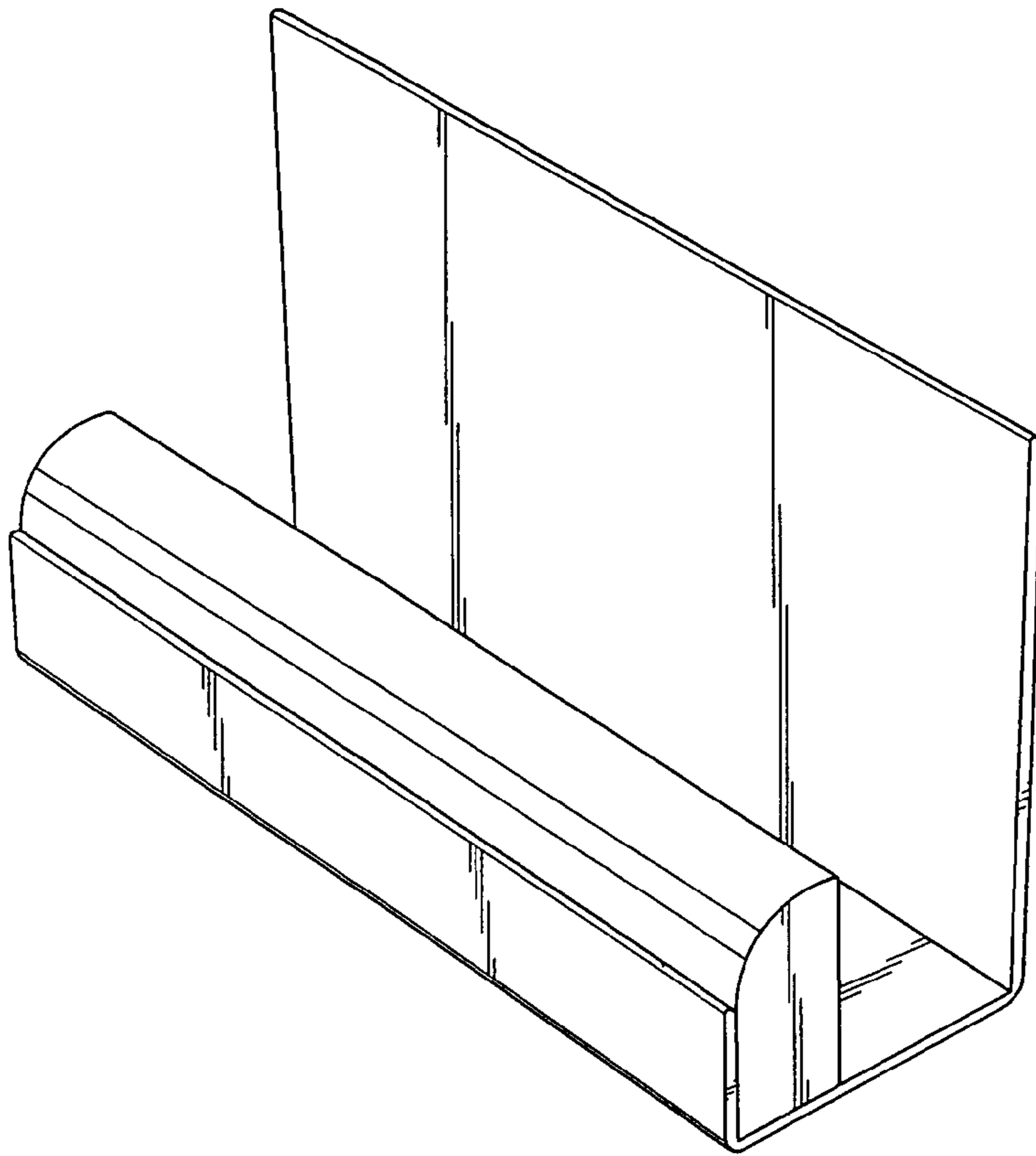


FIG. 1

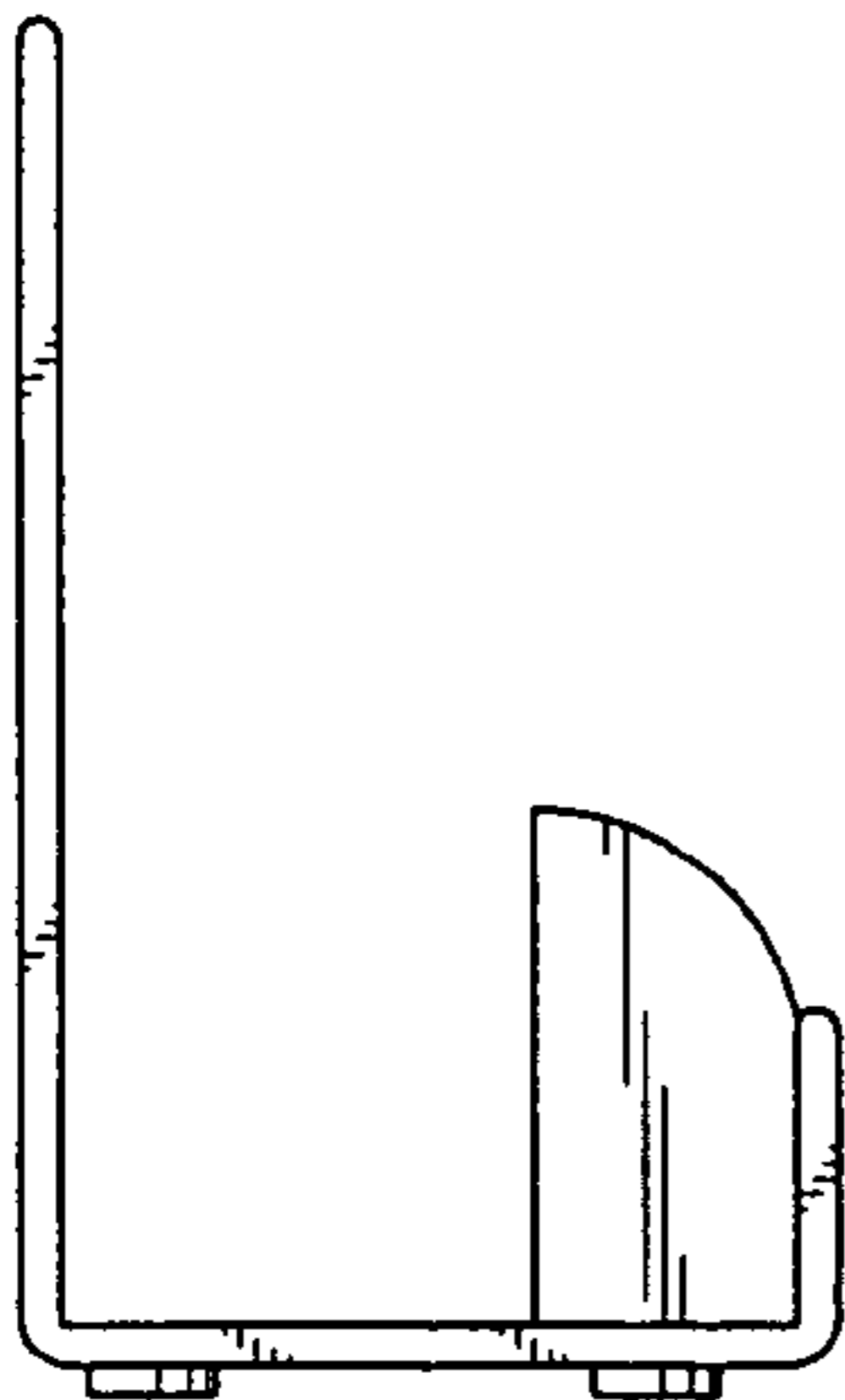


FIG. 3



FIG. 2

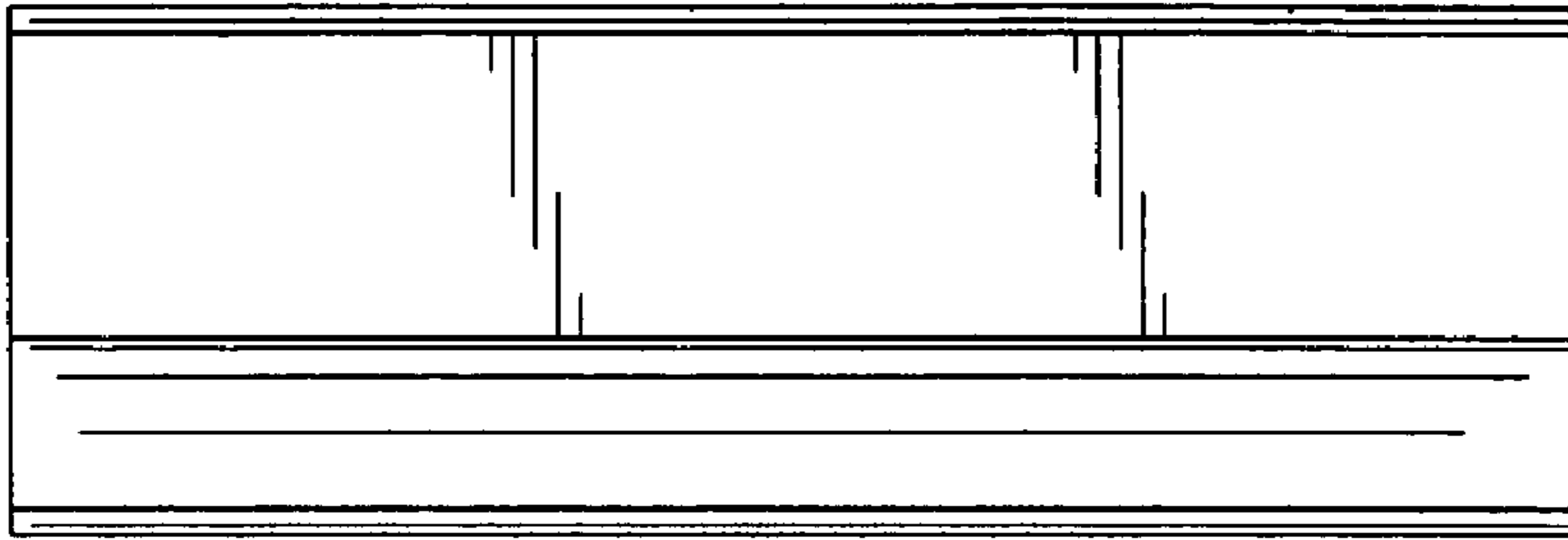


FIG. 4

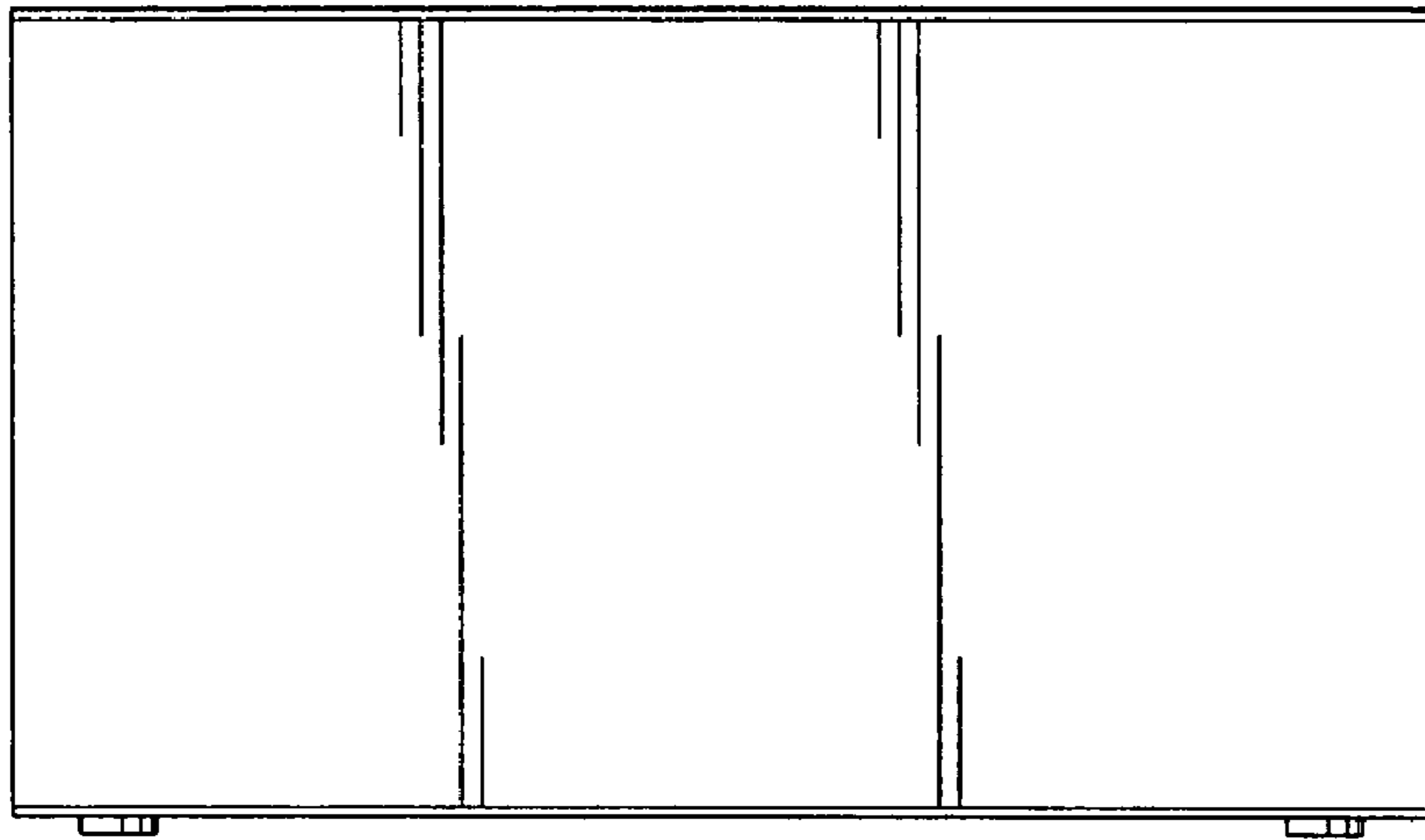


FIG. 5

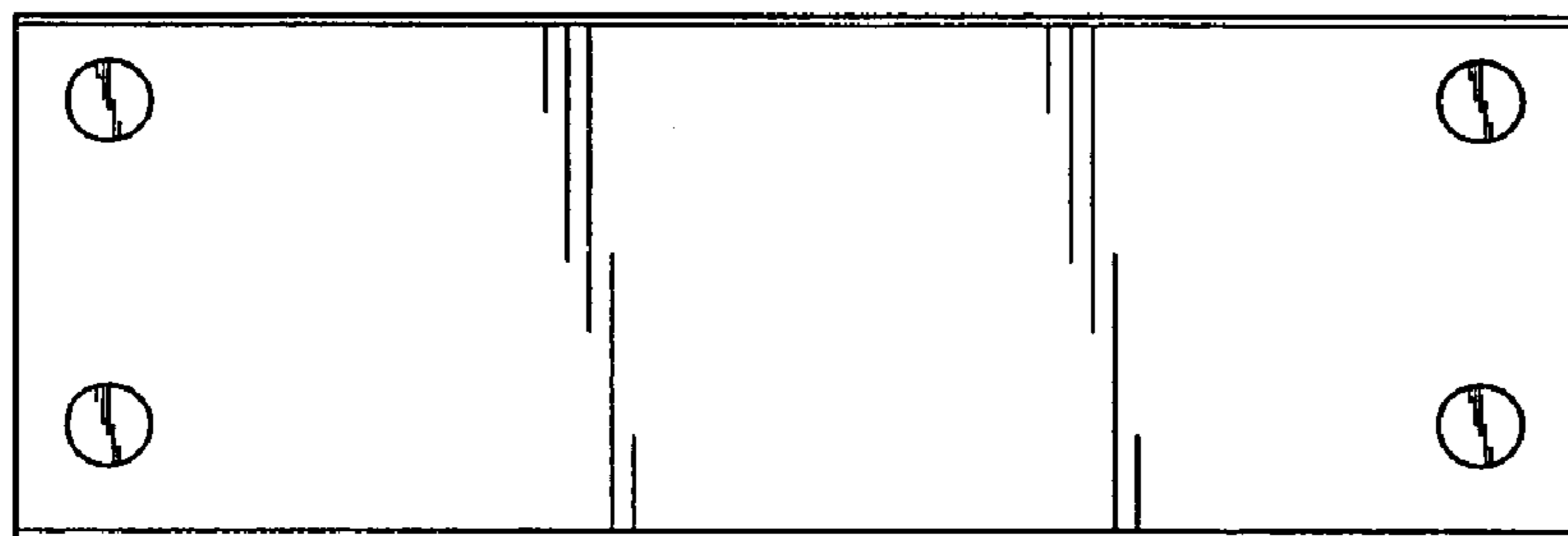


FIG. 6