

US00D546877S

(12) **United States Design Patent** (10) **Patent No.:** **US D546,877 S**
Kephart et al. (45) **Date of Patent:** **** Jul. 17, 2007**

(54) **BOOK**

(75) Inventors: **Dean A. Kephart**, Minneapolis, MN (US); **Karl R. Wolf**, Minneapolis, MN (US)

(73) Assignee: **Target Brands, Inc.**, Minneapolis, MN (US)

(**) Term: **14 Years**

(21) Appl. No.: **29/237,017**

(22) Filed: **Aug. 25, 2005**

(51) **LOC (8) Cl.** **19-04**

(52) **U.S. Cl.** **D19/26**

(58) **Field of Classification Search** D19/32, D19/65, 27, 26, 91, 59, 62; D3/249, 294, D3/274, 243, 247, 265; D9/433, 430, 432, D9/713, 701; 281/29, 38, 31, 43, 27.3; 402/3, 402/4, 68, 31, 19; 206/472, 424, 448; D21/731, D21/466; D10/119; D4/137

See application file for complete search history.

(56) **References Cited**

U.S. PATENT DOCUMENTS

D247,143	S	*	2/1978	Rivas	D4/137
4,108,473	A		8/1978	Coen et al.		
4,152,845	A	*	5/1979	Ezzell	434/187
4,616,851	A		10/1986	Mann		
D337,024	S	*	7/1993	Stickel, III	D7/549
D344,314	S	*	2/1994	Malkoun	D21/731
D371,655	S	*	7/1996	Weston	D32/40
D415,054	S	*	10/1999	Foster et al.	D10/119
D417,695	S		12/1999	Riley		
D421,063	S		2/2000	Davidson		
D434,797	S		12/2000	Meyerhoff		
D451,559	S	*	12/2001	Miles	D21/466
D462,987	S		9/2002	Ruscetta et al.		

* cited by examiner

Primary Examiner—Cathron C. Brooks

Assistant Examiner—Austin Murphy

(74) *Attorney, Agent, or Firm*—Dicke, Billig & Czaja, P.L.L.C.

(57) **CLAIM**

The ornamental design for a book, as shown and described.

DESCRIPTION

FIG. 1 is a perspective view of a book according to an embodiment of the invention, with elements in dashed lines forming no part of the claimed design.

FIG. 2 is a front view of a book according to an embodiment of the invention, with elements in dashed lines forming no part of the claimed design.

FIG. 3 is a back view of a book according to an embodiment of the invention, with elements in dashed lines forming no part of the claimed design.

FIG. 4 is a right side view of a book according to an embodiment of the invention, with elements in dashed lines forming no part of the claimed design.

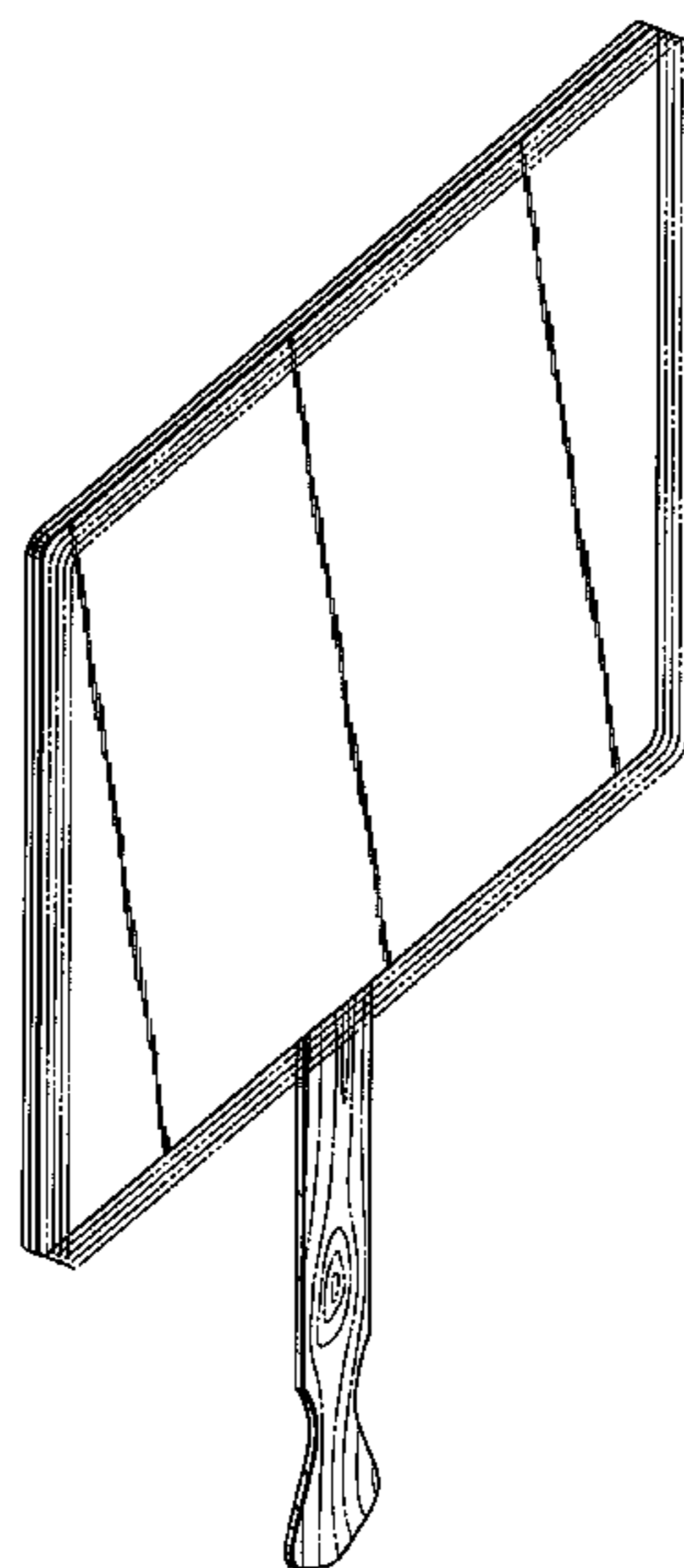
FIG. 5 is a left side view of a book according to an embodiment of the invention, with elements in dashed lines forming no part of the claimed design.

FIG. 6 is a top view of a book according to an embodiment of the invention, with elements in dashed lines forming no part of the claimed design.

FIG. 7 is a bottom view of a book according to an embodiment of the invention, with elements in dashed lines forming no part of the claimed design; and,

FIG. 8 is a perspective view of a book in an open position according to an embodiment of the invention, with elements in dashed lines forming no part of the claimed design.

1 Claim, 6 Drawing Sheets



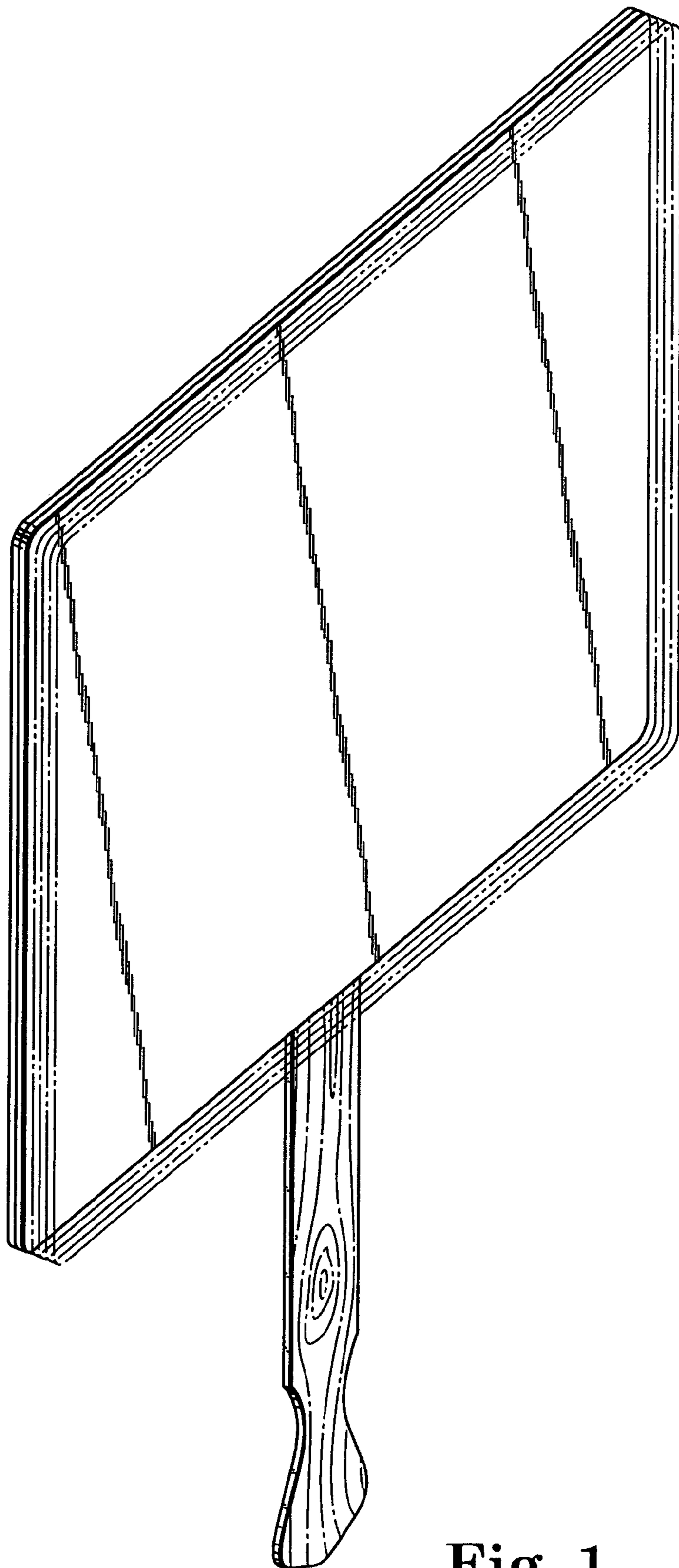


Fig. 1

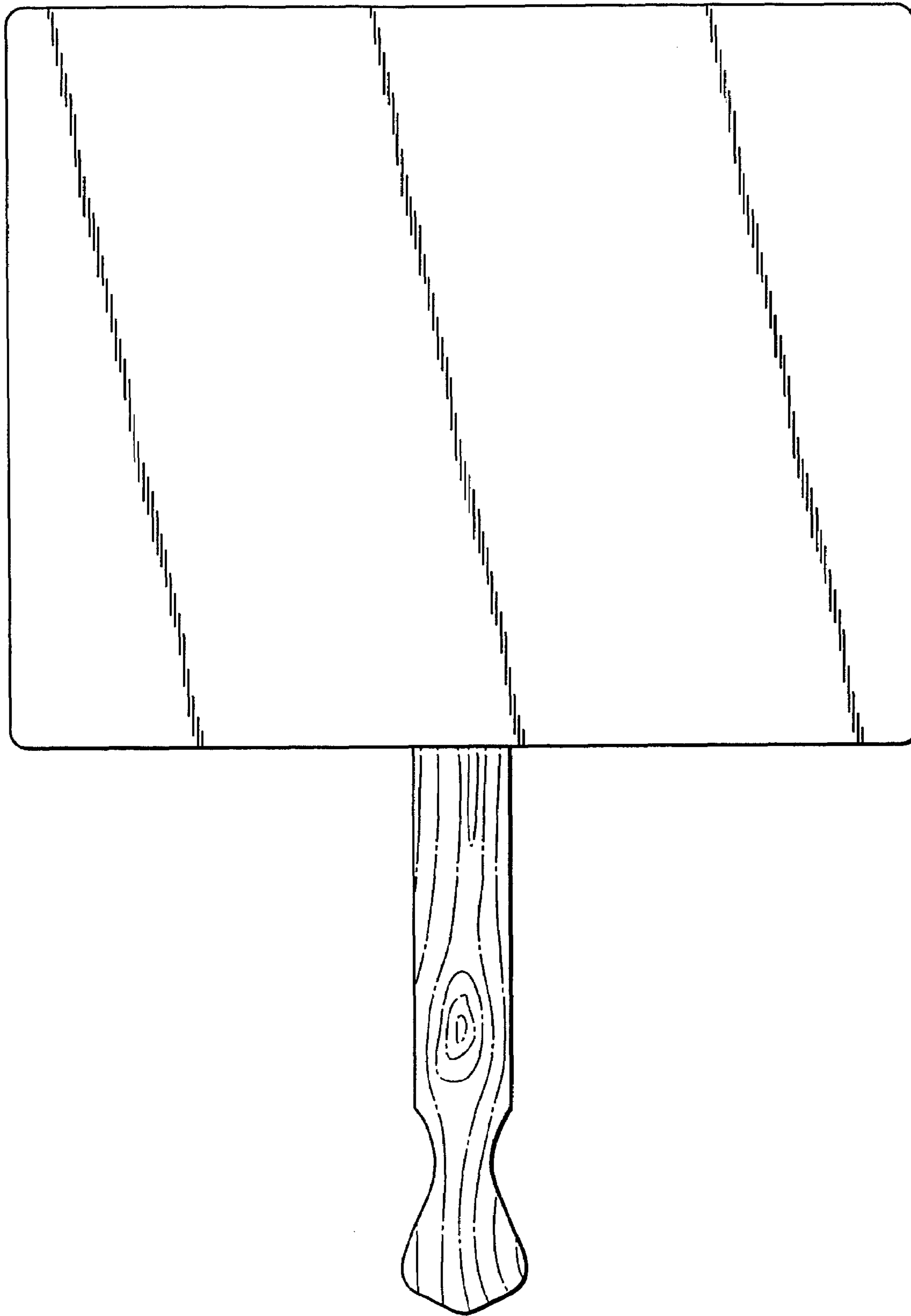


Fig. 2

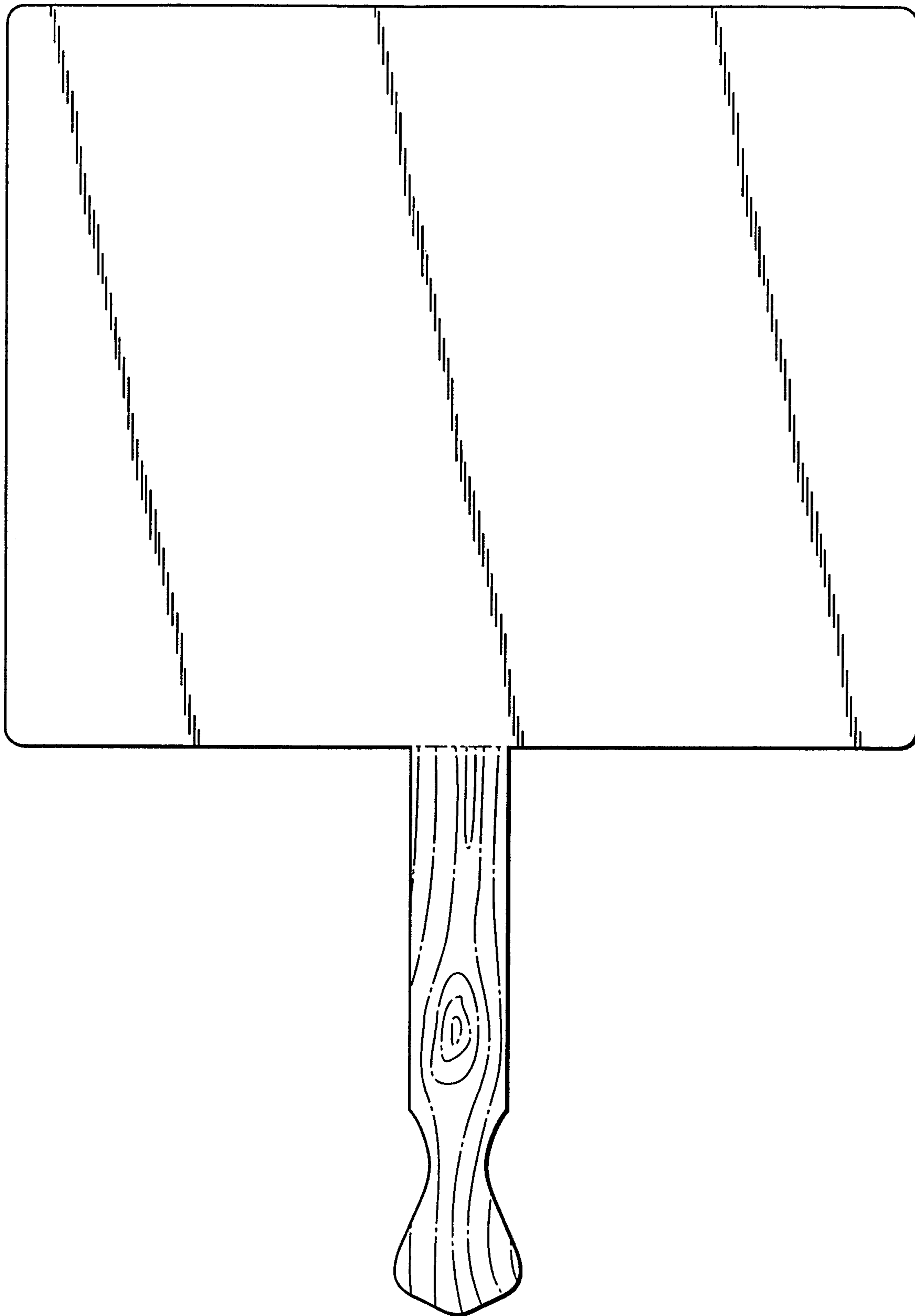


Fig. 3

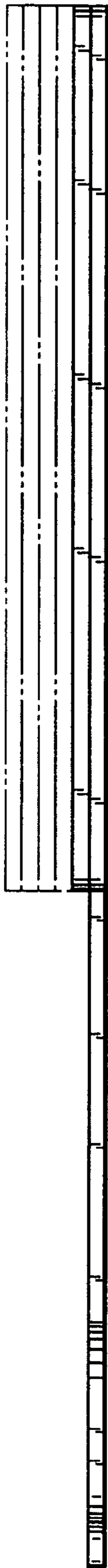


Fig. 4

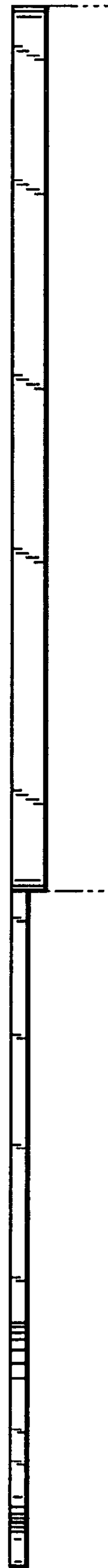


Fig. 5

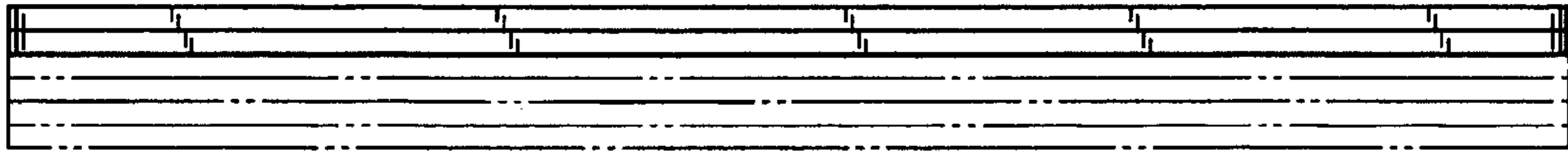


Fig. 6

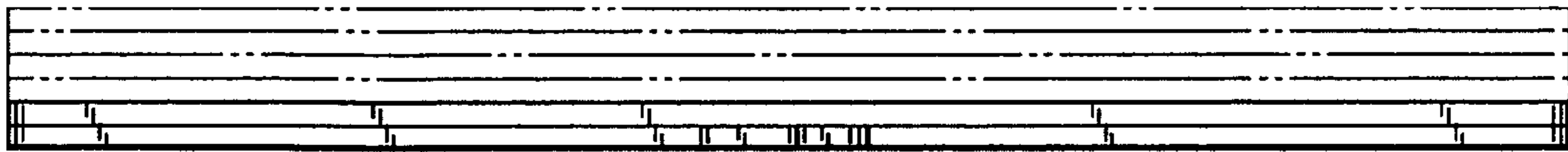


Fig. 7

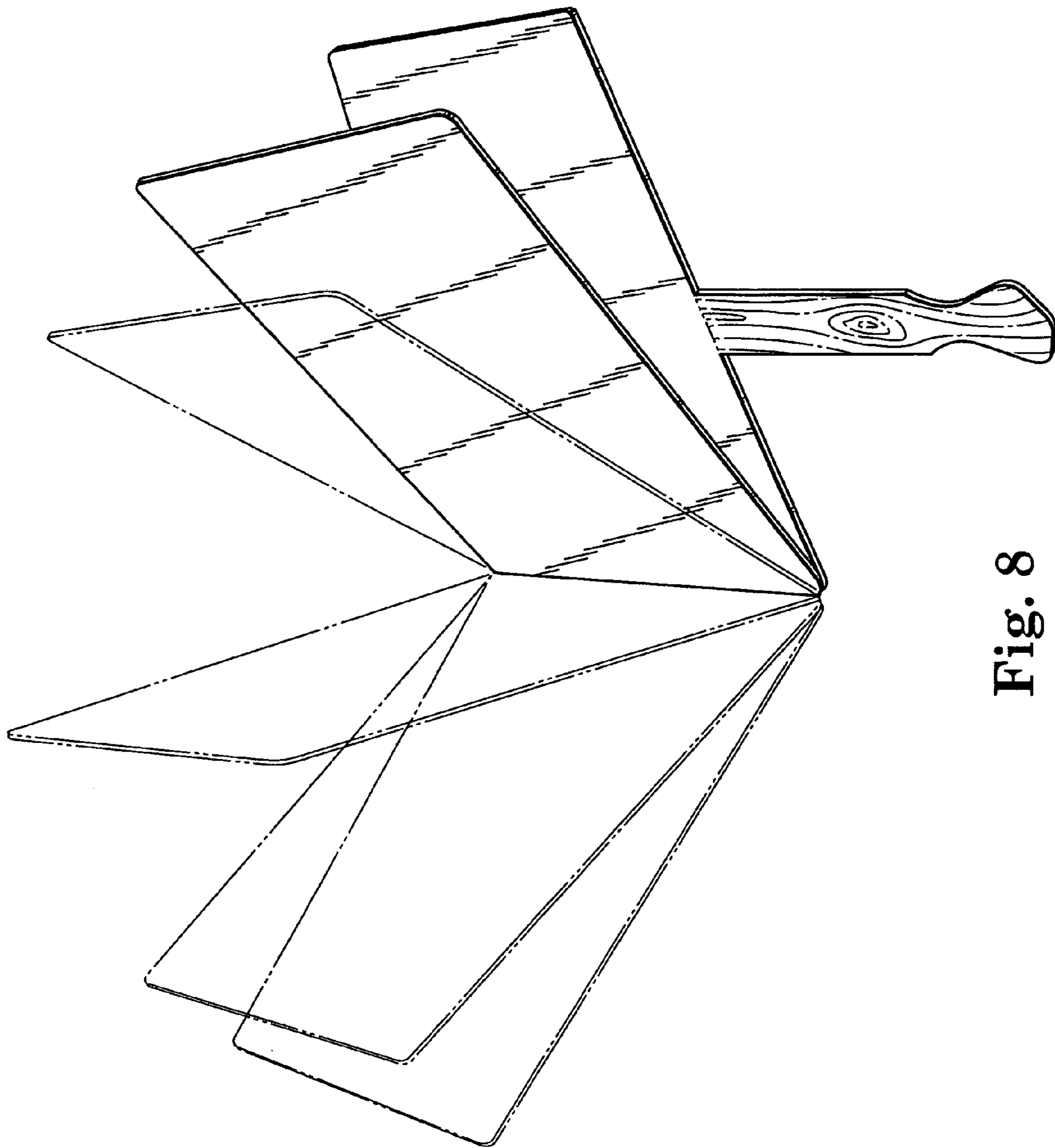


Fig. 8