

US00D546876S

(12) **United States Design Patent**
Muranaka

(10) **Patent No.:** **US D546,876 S**

(45) **Date of Patent:** **** Jul. 17, 2007**

(54) **INK POUCH FOR A PRINTER INK CARTRIDGE**

(75) Inventor: **Masakazu Muranaka**, Tokyo (JP)

(73) Assignee: **Ricoh Company, Ltd.**, Tokyo (JP)

(**) Term: **14 Years**

(21) Appl. No.: **29/193,081**

(22) Filed: **Nov. 4, 2003**

(30) **Foreign Application Priority Data**

May 9, 2003 (JP) 2003-012867

(51) **LOC (8) Cl.** **18-02**

(52) **U.S. Cl.** **D18/56**

(58) **Field of Classification Search** D18/43,
D18/56; 347/7, 85-87; 383/80; 215/218;
222/107, 464.1, 541.6

See application file for complete search history.

(56) **References Cited**

U.S. PATENT DOCUMENTS

| | | | | | |
|-----------|-----|---------|------------------|-------|--------|
| 4,669,124 | A * | 5/1987 | Kimura | | 383/80 |
| 5,307,091 | A * | 4/1994 | DeCoste, Jr. | | 347/86 |
| 5,466,131 | A * | 11/1995 | Altham et al. | | 347/85 |
| 5,691,755 | A * | 11/1997 | Pawlawski et al. | | 347/86 |
| D387,379 | S * | 12/1997 | Sasaki | | D18/56 |
| 5,872,584 | A * | 2/1999 | Hauck et al. | | 347/86 |
| 6,010,210 | A * | 1/2000 | Wilson et al. | | 347/85 |

| | | | | | |
|-----------|------|---------|-----------------|-------|--------|
| 6,116,723 | A * | 9/2000 | Childers | | 347/85 |
| D444,814 | S * | 7/2001 | Hunt | | D18/56 |
| D451,542 | S * | 12/2001 | Ishizawa et al. | | D18/56 |
| 6,471,333 | B1 * | 10/2002 | Powell et al. | | 347/86 |
| 6,609,789 | B1 * | 8/2003 | Hunt | | 347/86 |
| 6,692,116 | B2 * | 2/2004 | Pan et al. | | 347/85 |

* cited by examiner

Primary Examiner—Cathy Anne MacCormac

(74) *Attorney, Agent, or Firm*—Dickstein Shapiro LLP

(57) **CLAIM**

The ornamental design for an ink pouch for a printer ink cartridge, as shown and described.

DESCRIPTION

FIG. 1 is a front elevation of an ink pouch for a printer ink cartridge according to the present invention;

FIG. 2 is a rear elevation thereof;

FIG. 3 is a top plan view thereof;

FIG. 4 is a bottom plan view thereof;

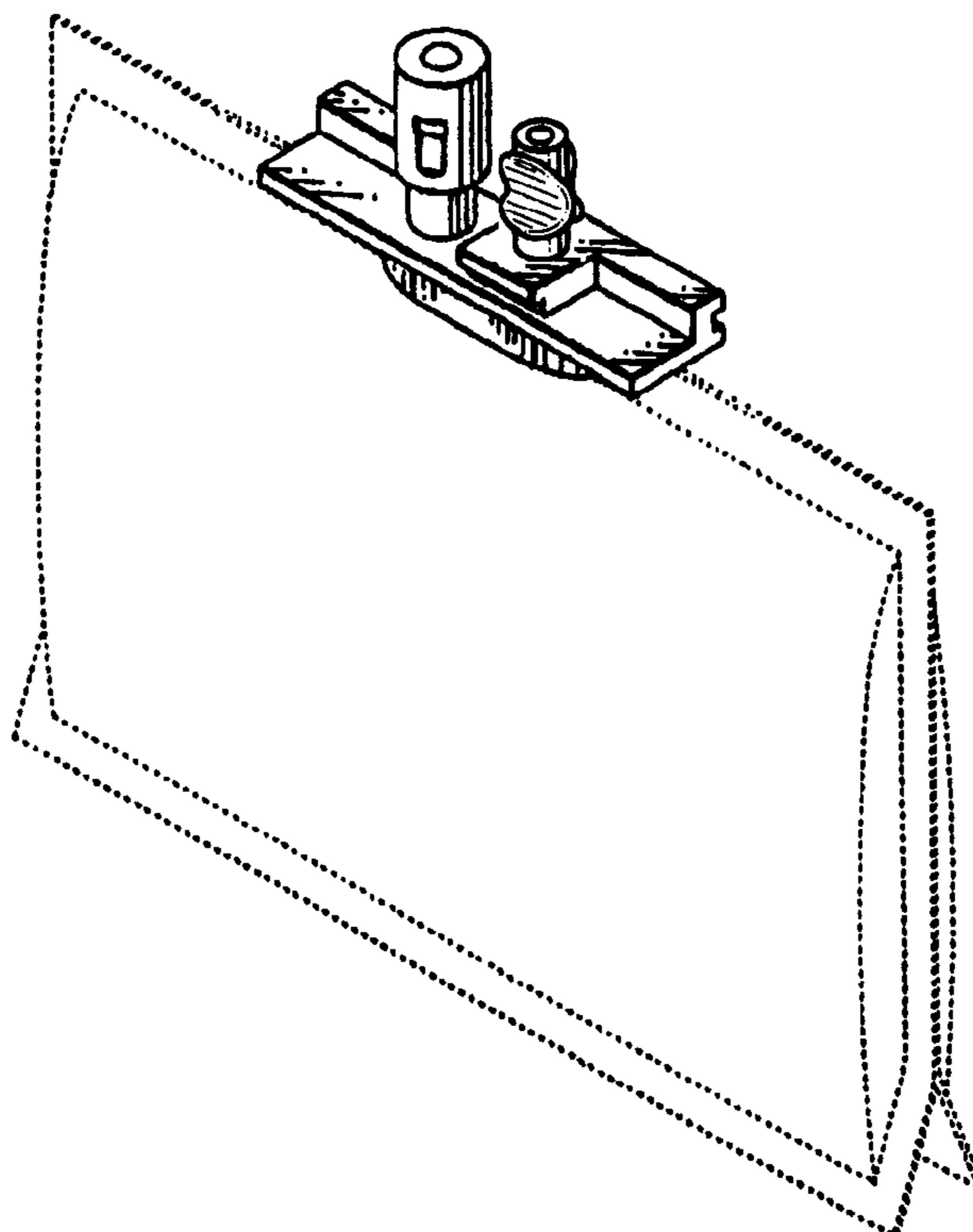
FIG. 5 is a right side elevation thereof;

FIG. 6 is a left side elevation thereof; and,

FIG. 7 is a top, front and right side perspective view thereof.

The broken lines are for purposes of illustration only and form no part of the claimed design.

1 Claim, 4 Drawing Sheets



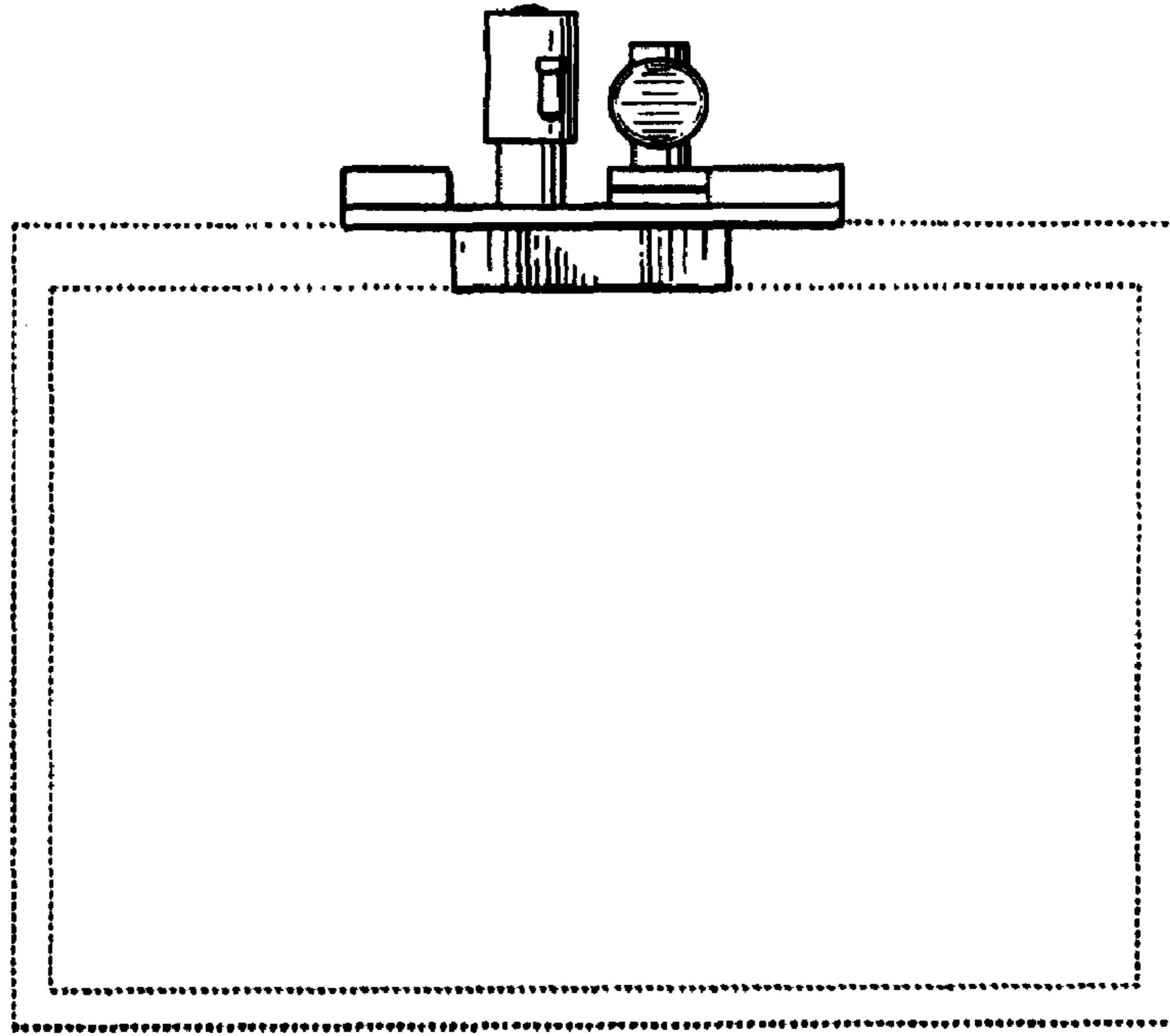


FIG. 1

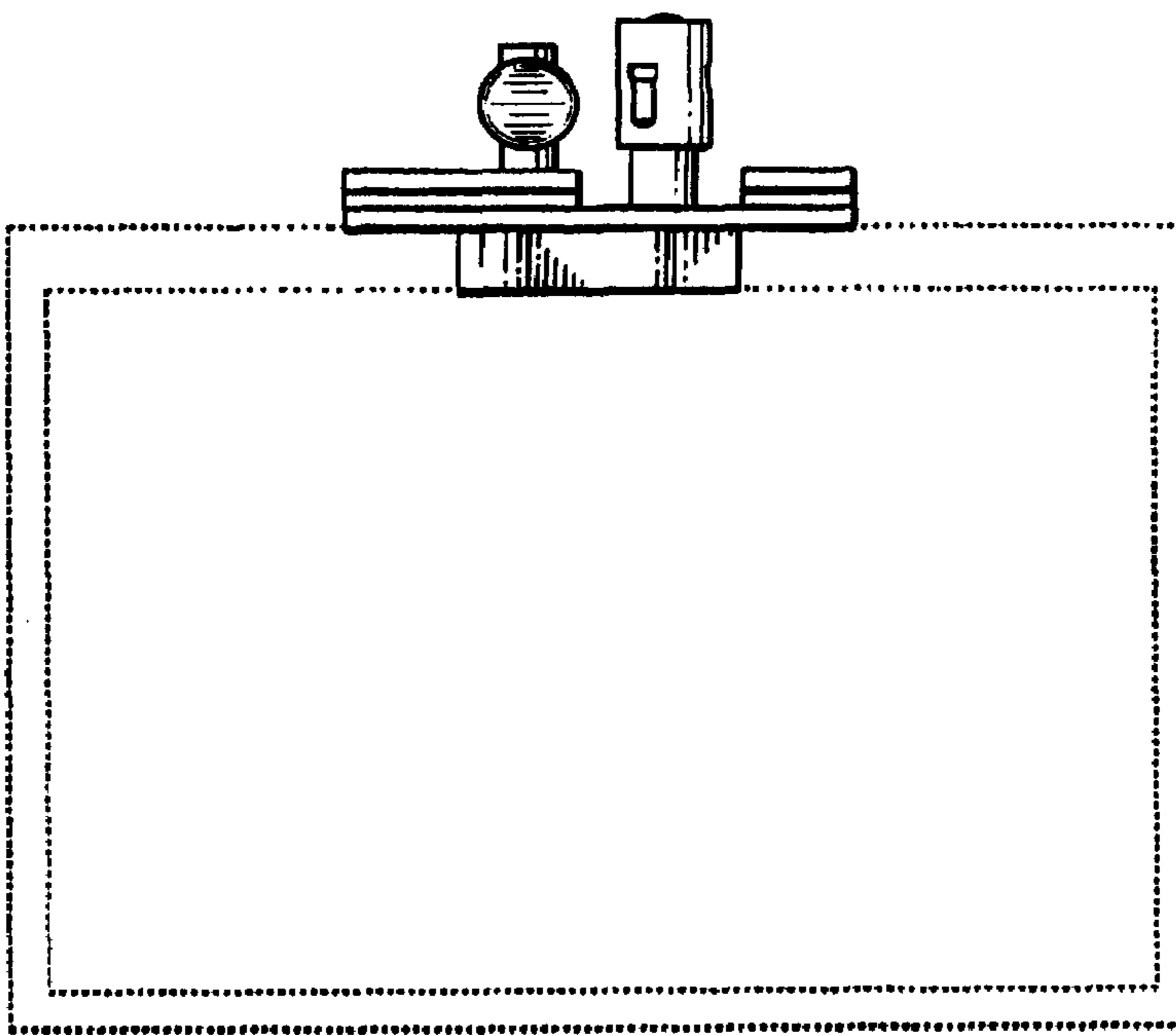


FIG. 2



FIG. 3

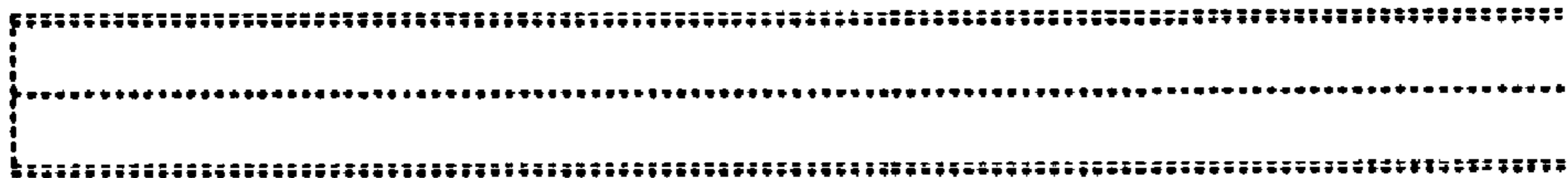


FIG. 4

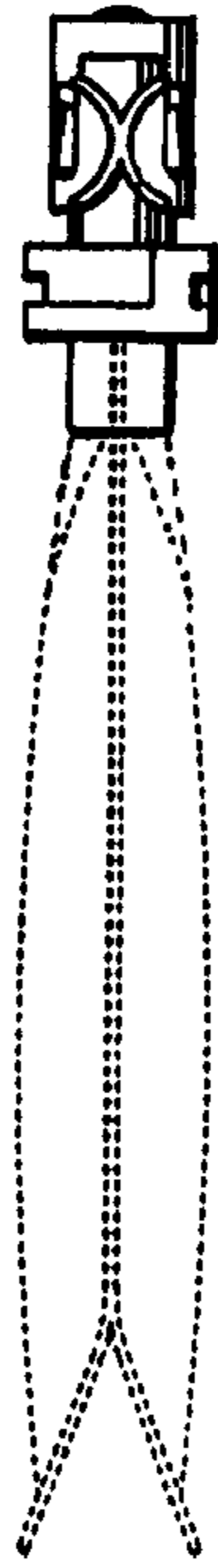


FIG. 5

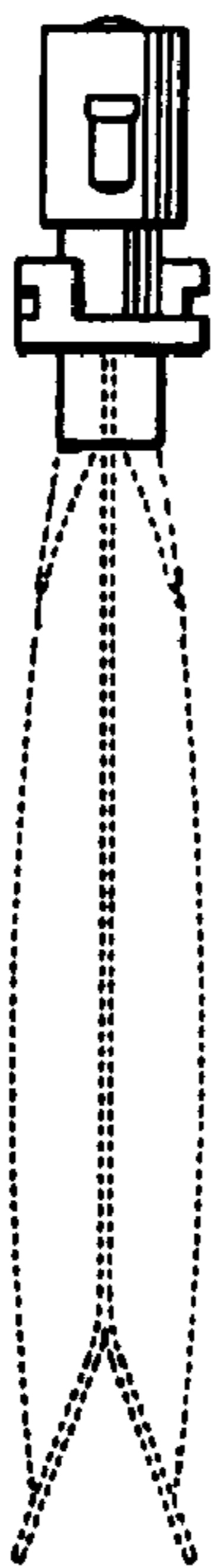


FIG. 6

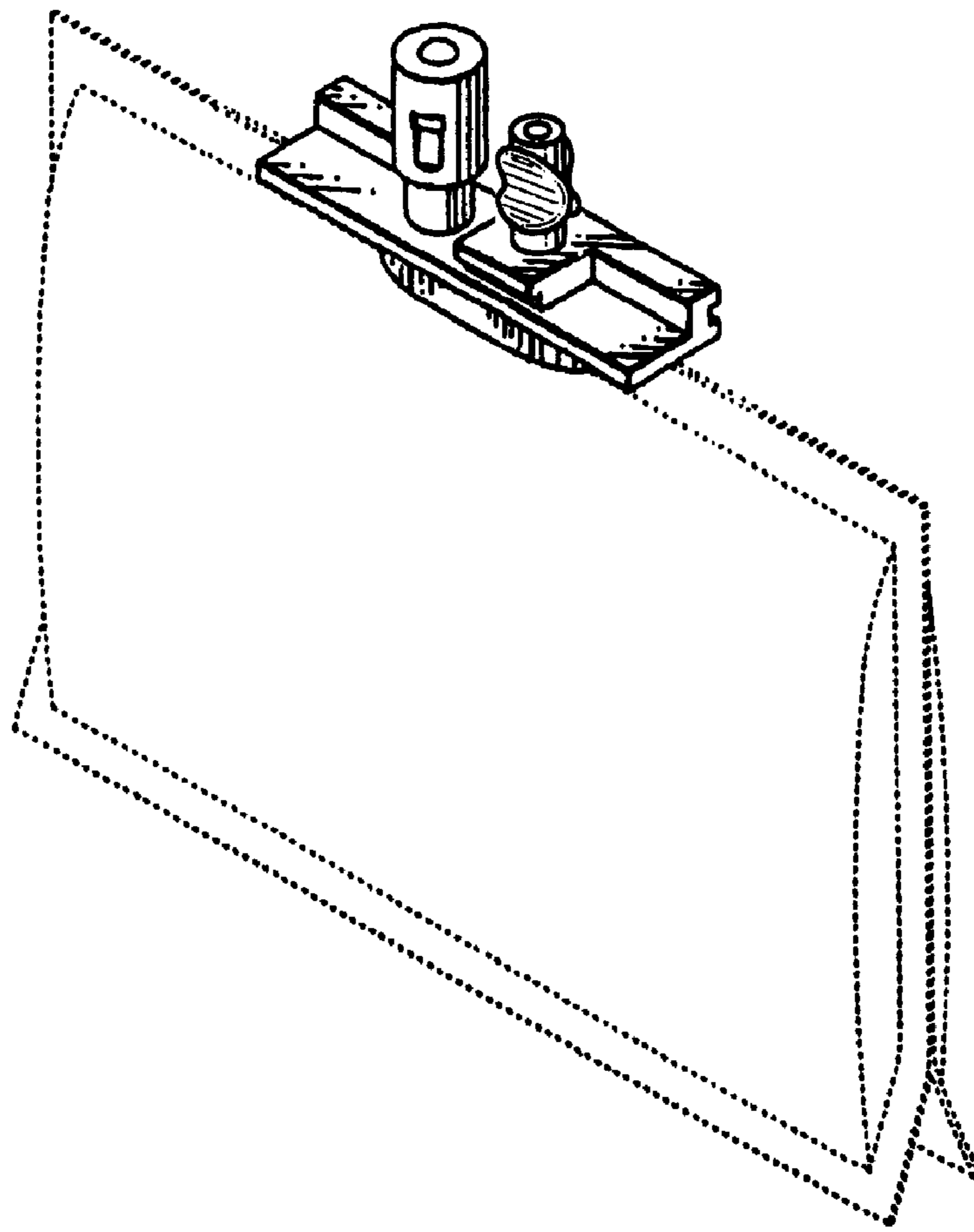


FIG. 7