

US00D546875S

(12) **United States Design Patent**
Suzuki et al.

(10) **Patent No.:** **US D546,875 S**

(45) **Date of Patent:** **** Jul. 17, 2007**

(54) **PRINTER**

(75) Inventors: **Wataru Suzuki**, Shiojiri (JP); **Tetsu Nakayama**, Shiojiri (JP); **Shinichiro Yoshikawa**, Shiojiri (JP)

(73) Assignee: **Seiko Epson Corporation** (JP)

(**) Term: **14 Years**

(21) Appl. No.: **29/237,048**

(22) Filed: **Aug. 25, 2005**

(30) **Foreign Application Priority Data**

Apr. 26, 2005 (JP) 2005-012354

(51) **LOC (8) Cl.** **14-02**

(52) **U.S. Cl.** **D18/50**

(58) **Field of Classification Search** D18/36-39,
D18/53-54, 54.1, 55; D14/420-425, 356-357,
D14/361-363; D16/246-248, 237; 399/107;
400/613, 613.1-613.4, 691-694

See application file for complete search history.

(56) **References Cited**

U.S. PATENT DOCUMENTS

D356,818 S * 3/1995 Sekine et al. D18/55
D400,918 S * 11/1998 Kobayashi et al. D18/55
D411,228 S * 6/1999 Kobayashi et al. D18/50
D430,894 S * 9/2000 Inoue D18/54

D439,272 S * 3/2001 Kobayashi et al. D18/50
D441,012 S * 4/2001 Kawahara et al. D18/55
D449,851 S * 10/2001 Katou et al. D18/36
D453,352 S * 2/2002 Yamano et al. D18/55
D499,759 S * 12/2004 Kobayashi et al. D18/55
D516,621 S * 3/2006 Kobayashi et al. D18/55
D516,622 S * 3/2006 Suzuki et al. D18/55
D517,595 S * 3/2006 Miyauchi et al. D18/55

* cited by examiner

Primary Examiner—Cathy Anne MacCormac

(74) *Attorney, Agent, or Firm*—Harness, Dickey & Pierce, P.L.C.

(57) **CLAIM**

The ornamental design for a printer, as shown and described.

DESCRIPTION

FIG. 1 is a front perspective view of a printer embodying our new design;

FIG. 2 is a front view thereof;

FIG. 3 is a rear view thereof;

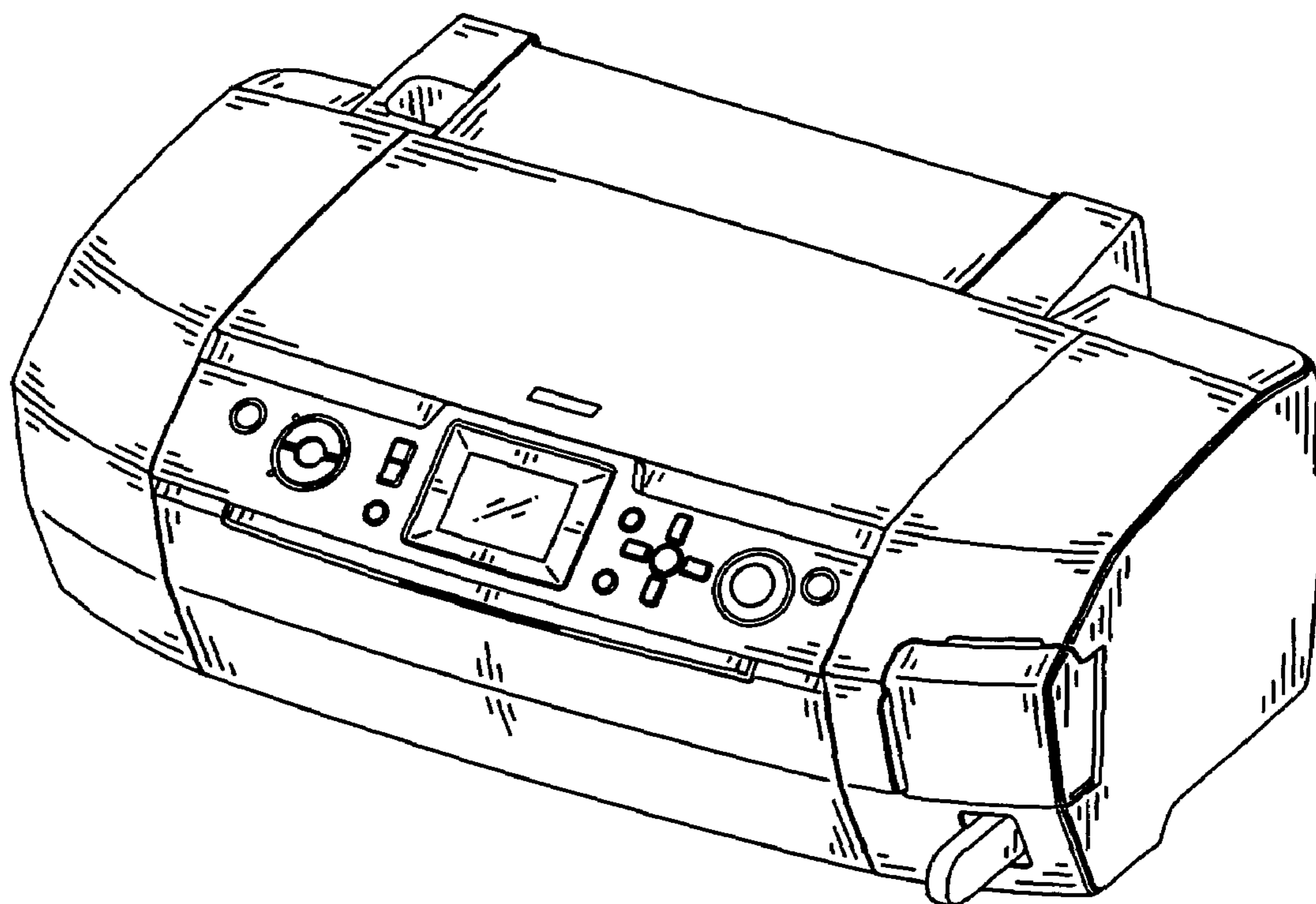
FIG. 4 is a left side view thereof;

FIG. 5 is a right side view thereof;

FIG. 6 is a top view thereof; and,

FIG. 7 is a bottom view thereof.

1 Claim, 4 Drawing Sheets



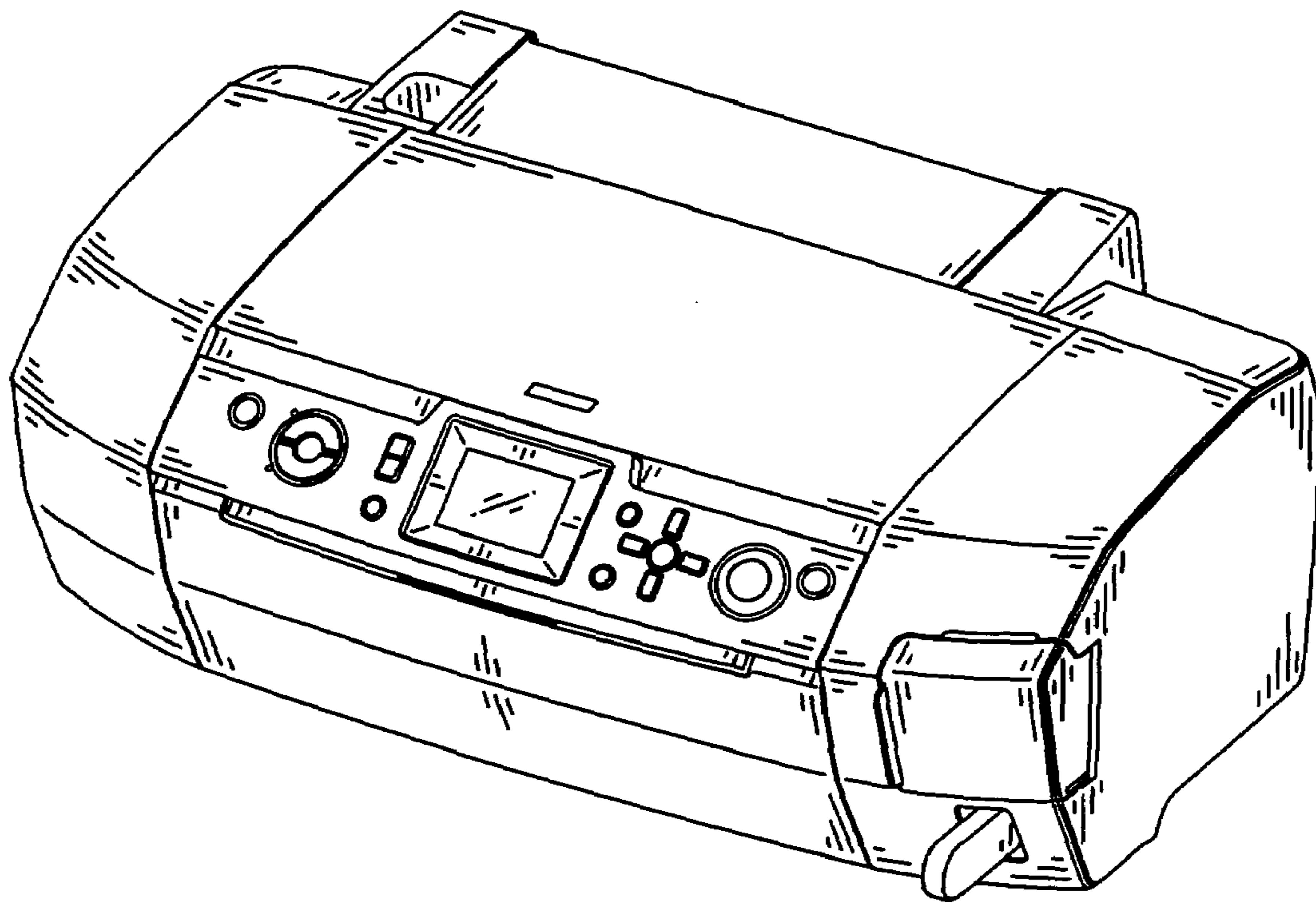


FIG. 1

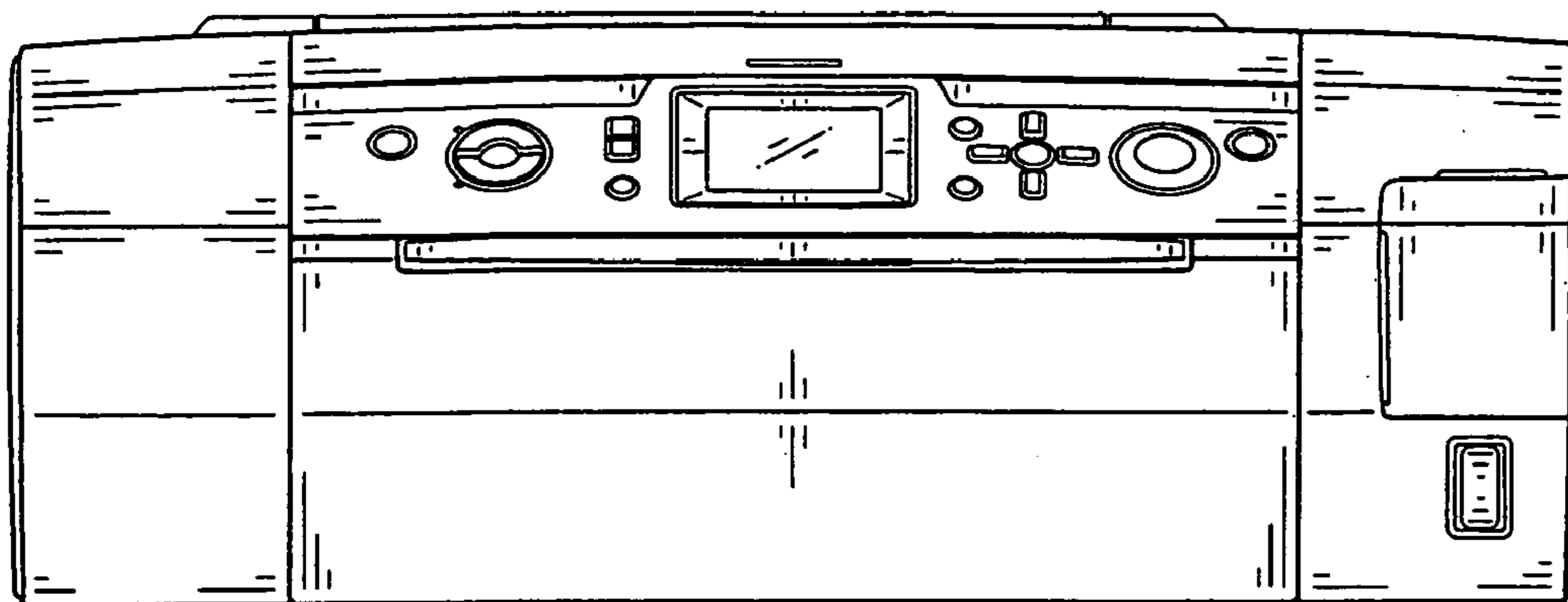


FIG. 2

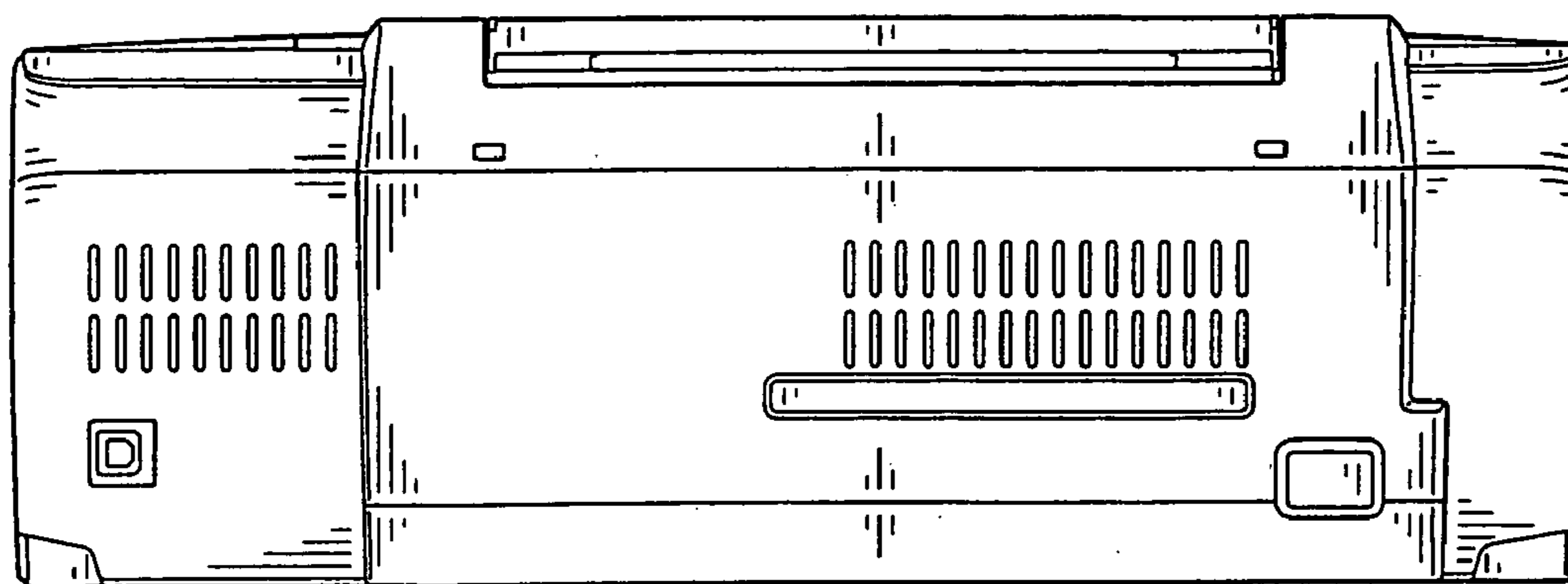


FIG. 3

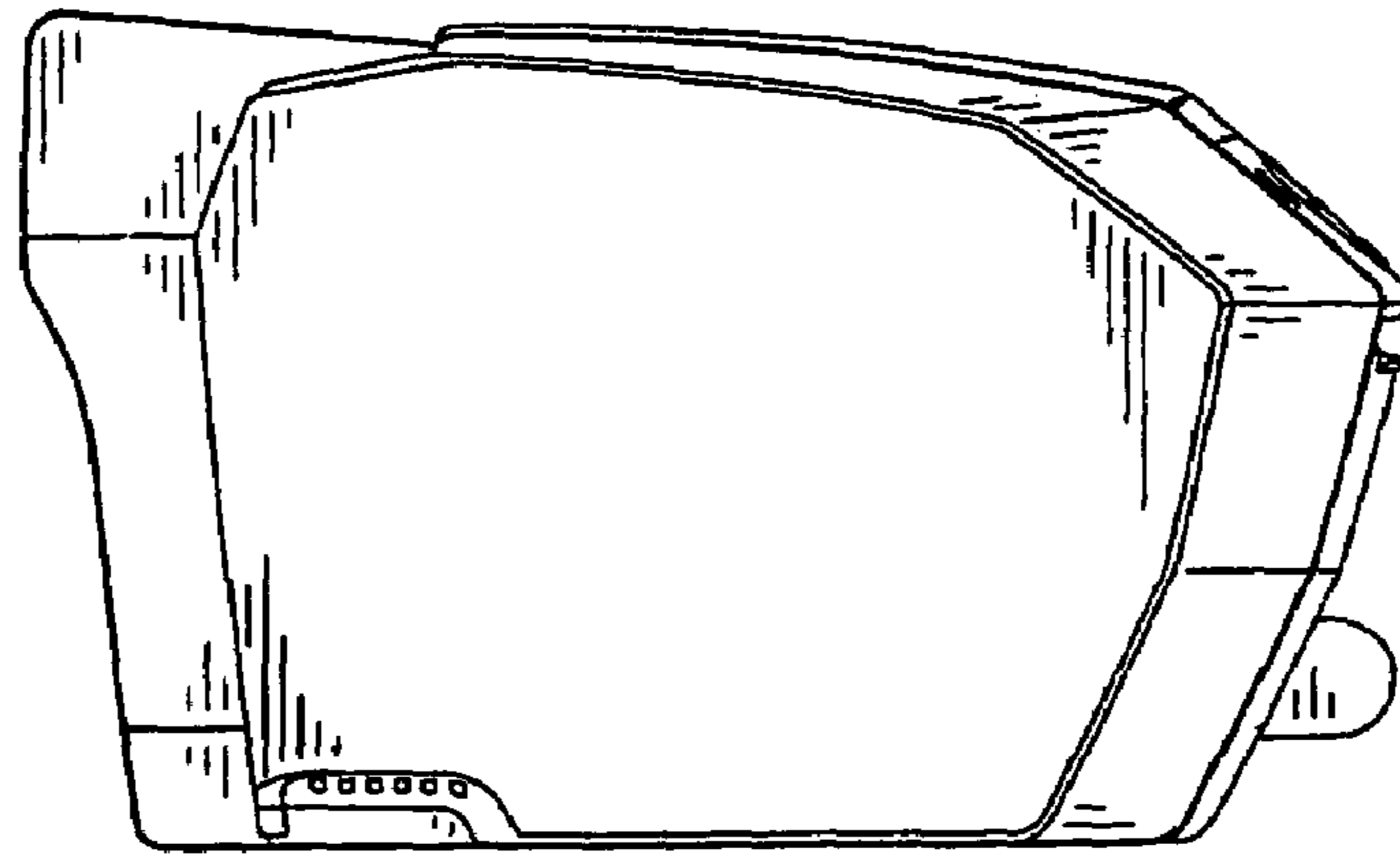


FIG. 4

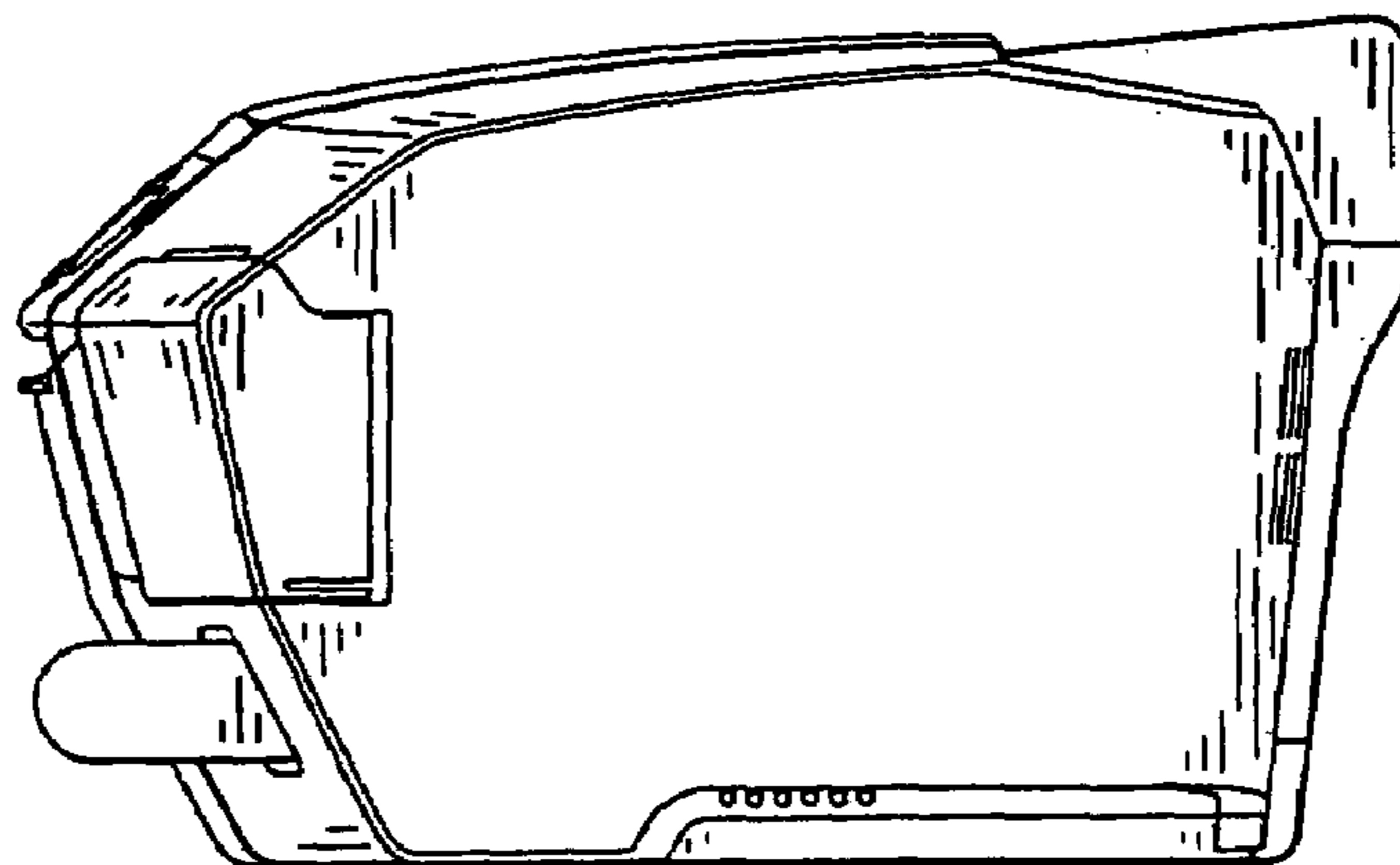


FIG. 5

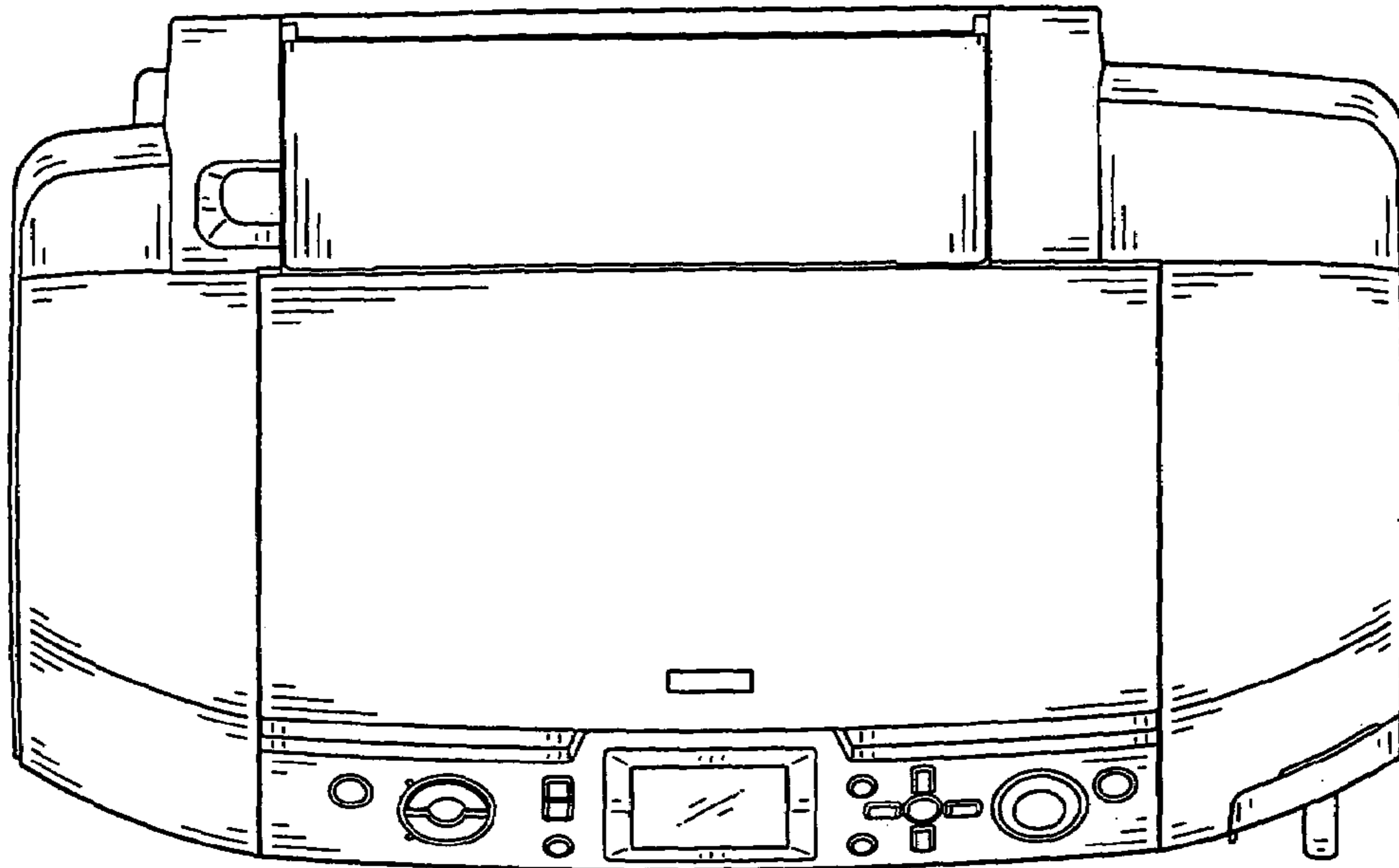


FIG. 6

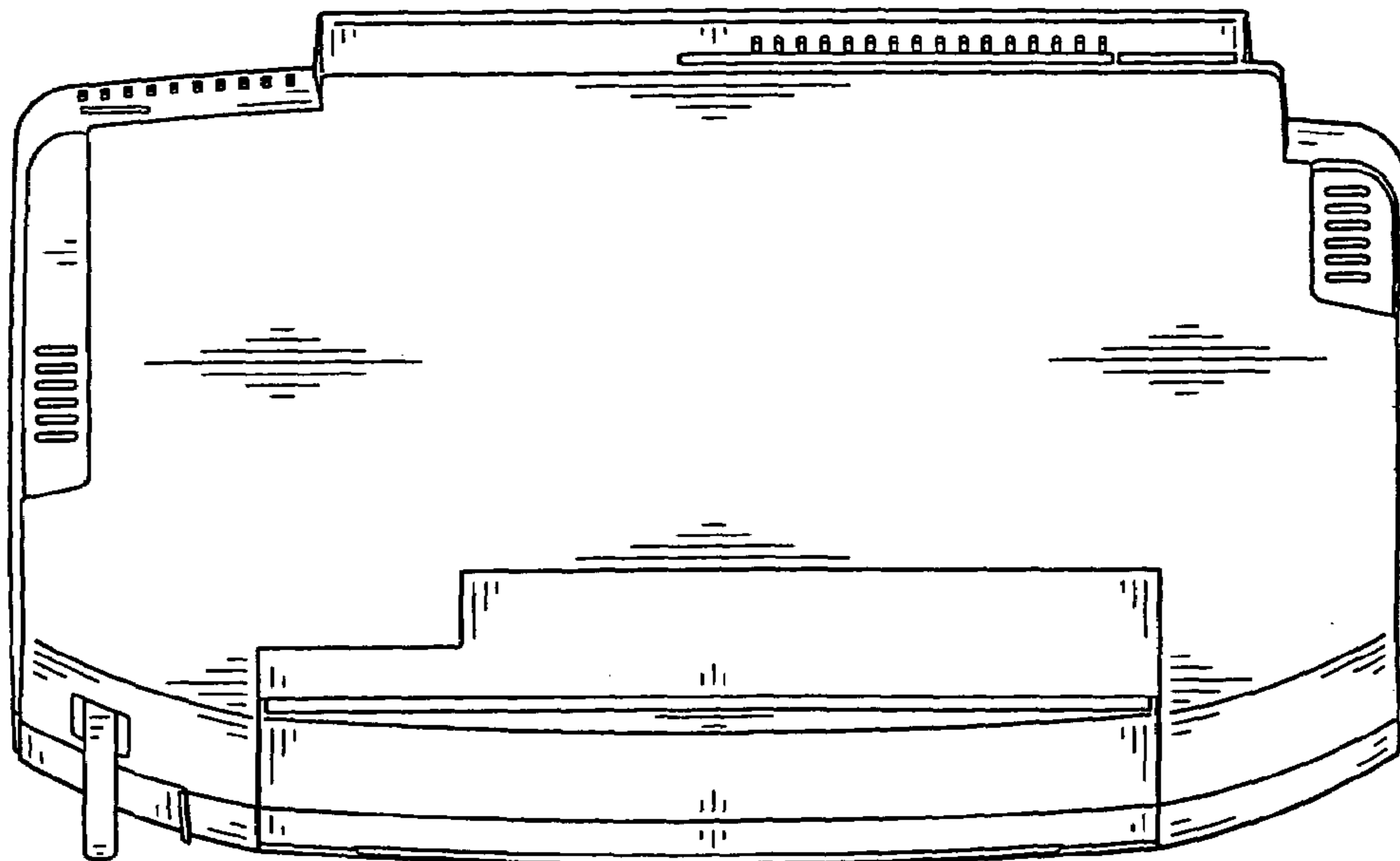


FIG. 7