



US00D546874S

(12) **United States Design Patent**  
**Hakukawa**

(10) **Patent No.:** **US D546,874 S**

(45) **Date of Patent:** **\*\* Jul. 17, 2007**

(54) **TONER CARTRIDGE**

(75) Inventor: **Kazuo Hakukawa**, Fukuoka (JP)

(73) Assignee: **Matsushita Electric Industrial Co., Ltd.**, Osaka (JP)

(\*\*) Term: **14 Years**

(21) Appl. No.: **29/233,645**

(22) Filed: **Jul. 7, 2005**

(51) **LOC (8) Cl.** ..... **16-03**

(52) **U.S. Cl.** ..... **D18/43**

(58) **Field of Classification Search** ..... D18/12,  
D18/36, 40, 43, 44, 56; D14/462, 469-471;  
222/DIG. 1; 347/197, 222; 399/24-28,  
399/107-112, 119, 121, 122, 222-224; 400/207,  
400/208

See application file for complete search history.

(56) **References Cited**

**U.S. PATENT DOCUMENTS**

3,338,410 A *	8/1967	South	.....	D18/43
D216,281 S *	12/1969	Moyroud	.....	D18/43
D321,716 S *	11/1991	Kikuchi et al.	.....	D18/43
D379,634 S	6/1997	Ootani et al.		
D381,677 S	7/1997	Makino		
D386,518 S	11/1997	Miyamoto et al.		
D389,860 S	1/1998	Nakajima et al.		
D391,602 S	3/1998	Jyoroku		
D394,083 S	5/1998	Jyoroku		

D414,507 S	9/1999	Nozawa et al.		
D430,196 S	8/2000	Ashikari et al.		
D431,260 S *	9/2000	Kohno et al.	.....	D18/43
6,238,044 B1 *	5/2001	Silverbrook et al.	.....	347/86
D468,345 S *	1/2003	Tanaka et al.	.....	D18/43
D477,357 S *	7/2003	Nakajima et al.	.....	D18/43
D524,366 S *	7/2006	Arai et al.	.....	D18/56

\* cited by examiner

*Primary Examiner*—Robert M. Spear

*Assistant Examiner*—Garth Rademaker

(74) *Attorney, Agent, or Firm*—Brinks Hofer Gilson & Lione

(57) **CLAIM**

The ornamental design for a toner cartridge, as shown and described.

**DESCRIPTION**

FIG. 1 is a front perspective view of a TONER CARTRIDGE of the present invention;

FIG. 2 is a rear perspective view thereof;

FIG. 3 is a front elevation view thereof;

FIG. 4 is a bottom plan view thereof;

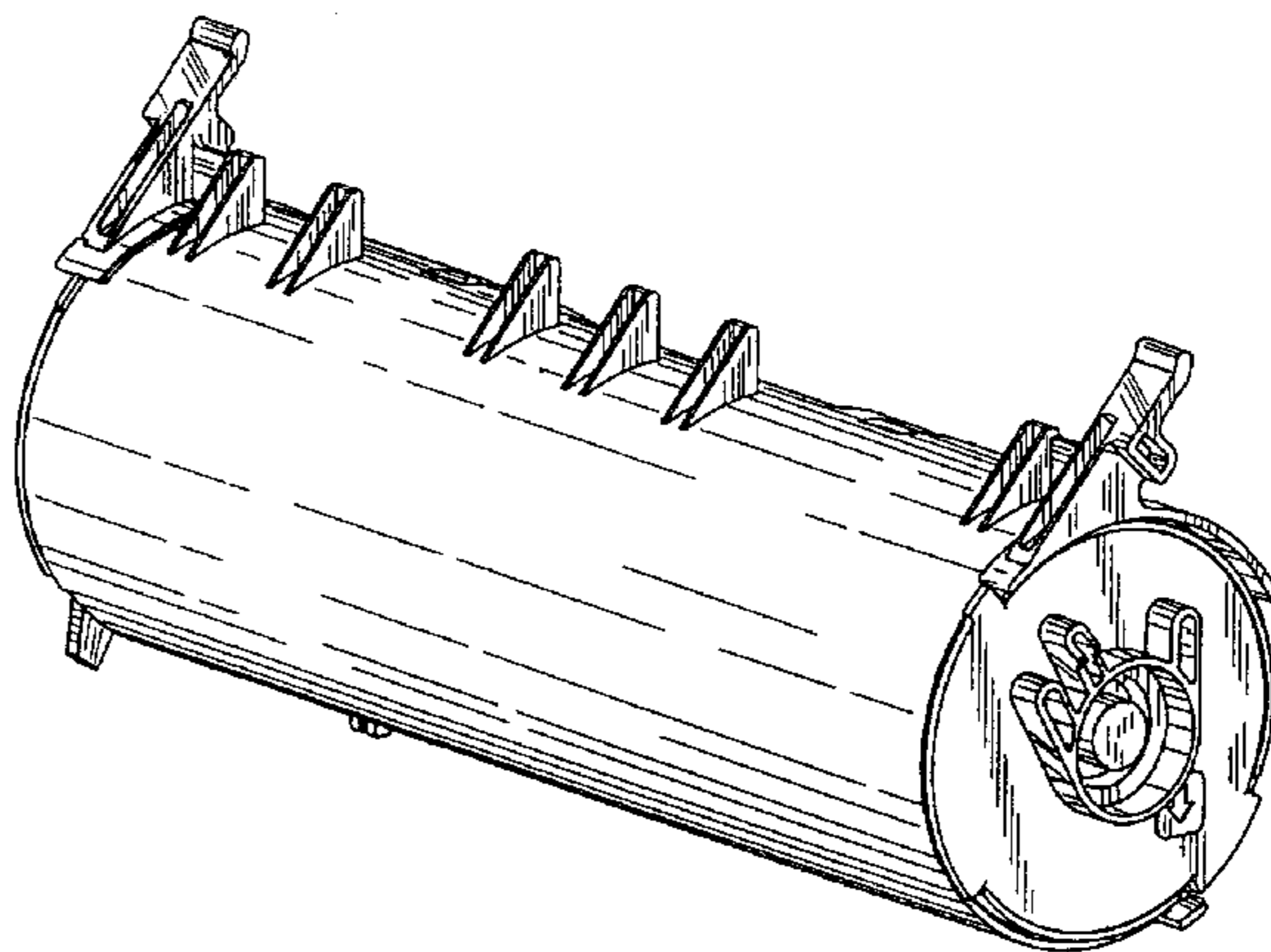
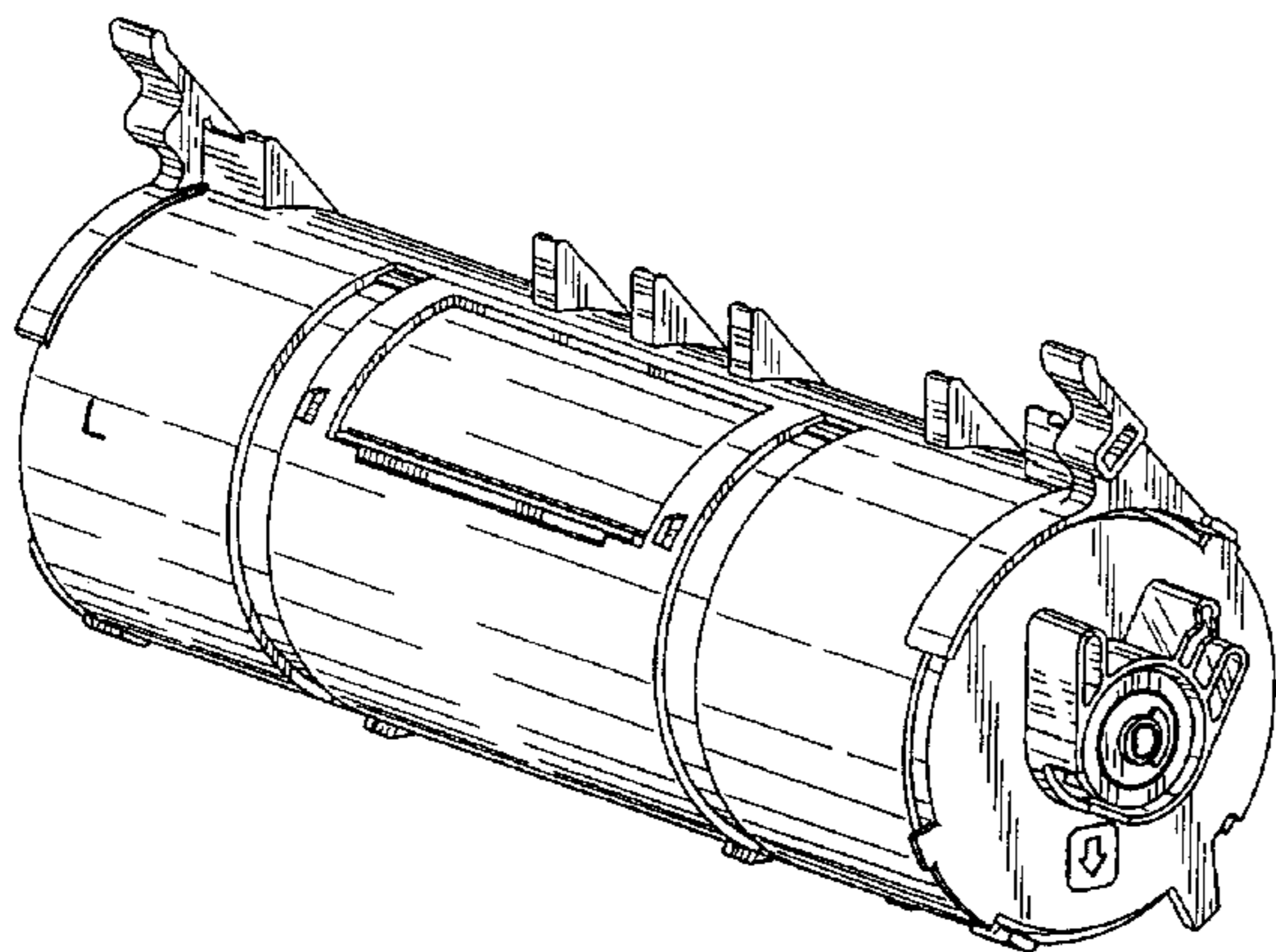
FIG. 5 is a right side elevation view thereof;

FIG. 6 is a left side elevation view thereof;

FIG. 7 is a top plan view thereof; and,

FIG. 8 is a rear elevation view thereof.

**1 Claim, 3 Drawing Sheets**



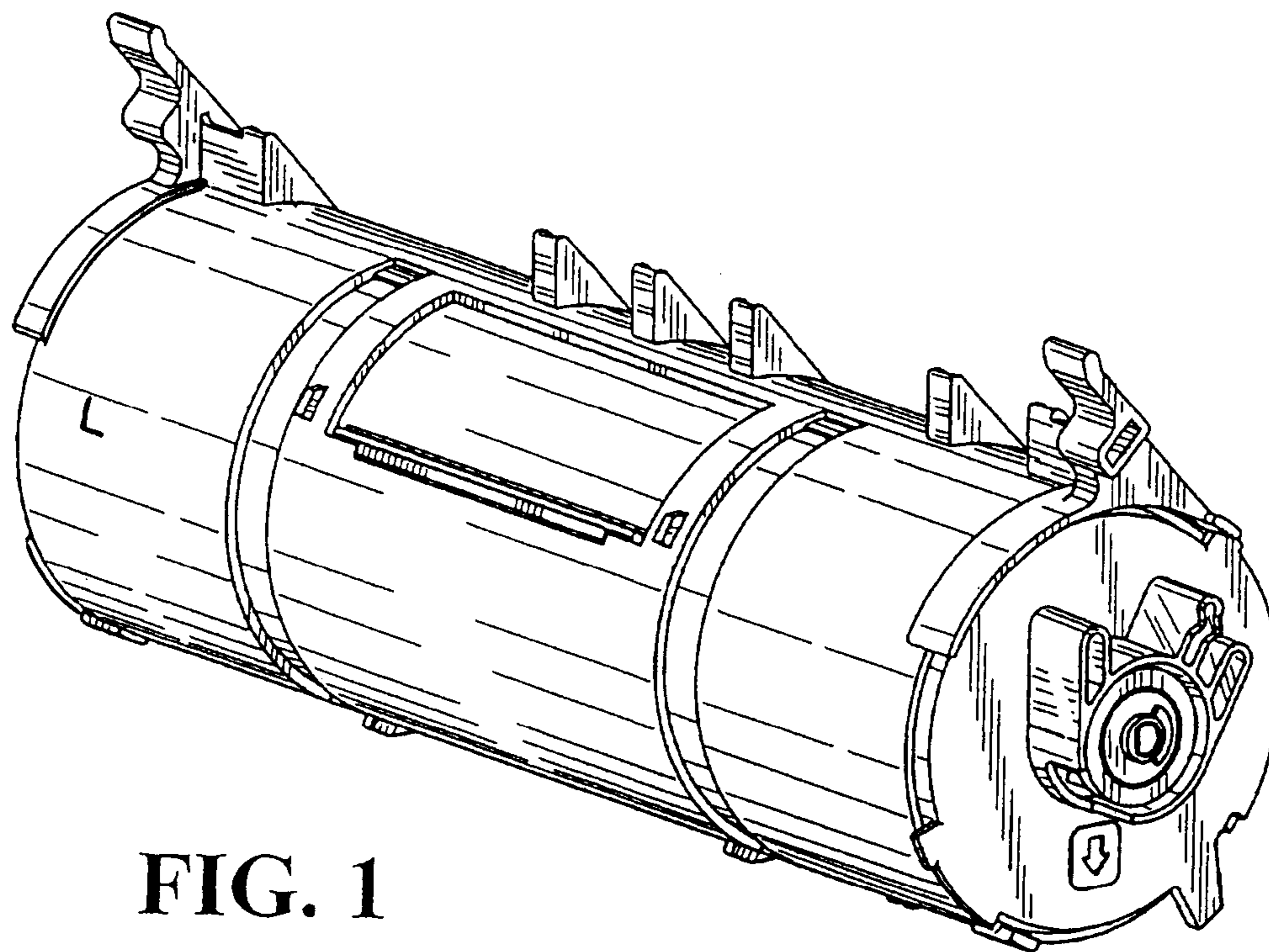


FIG. 1

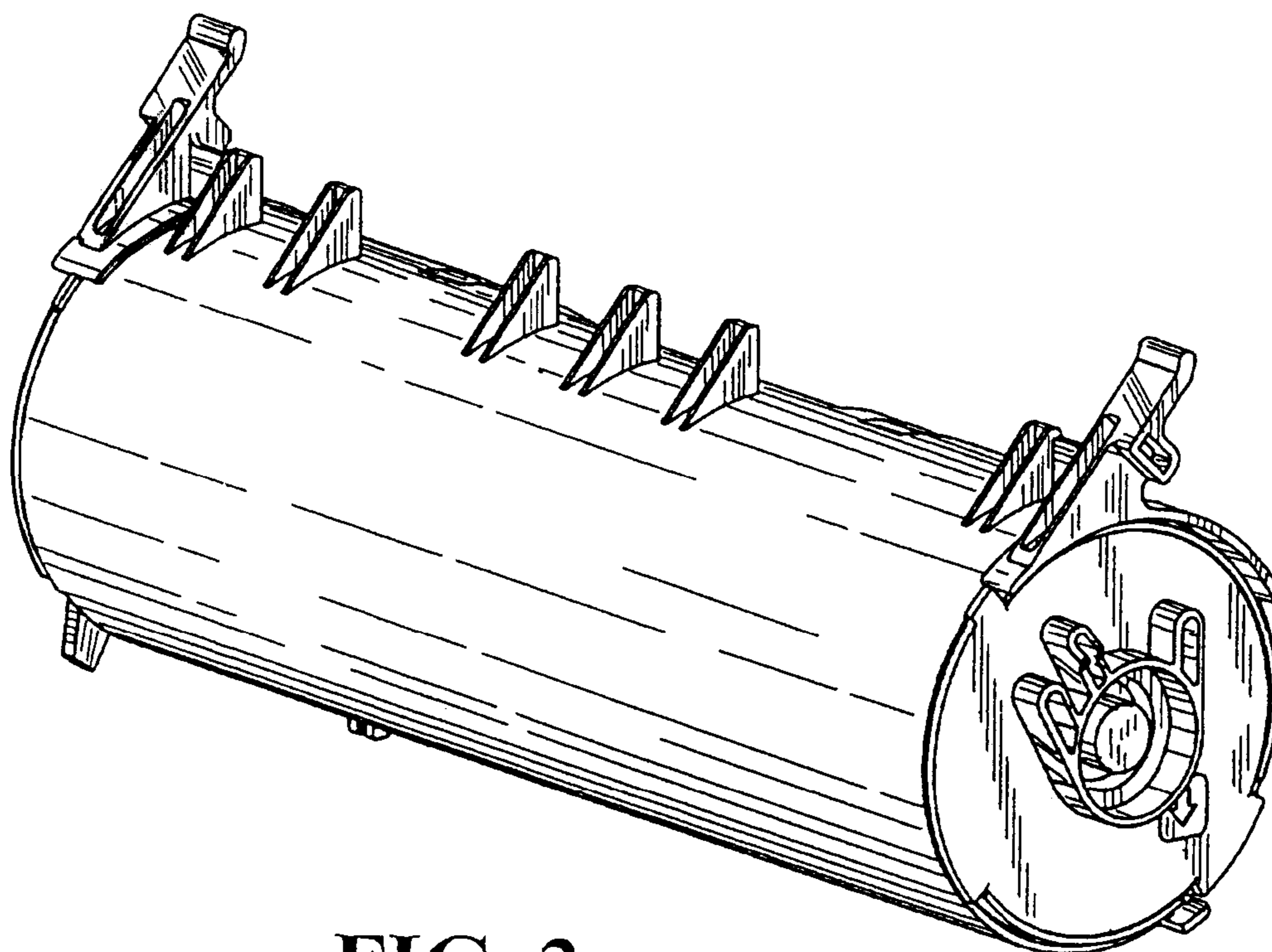


FIG. 2

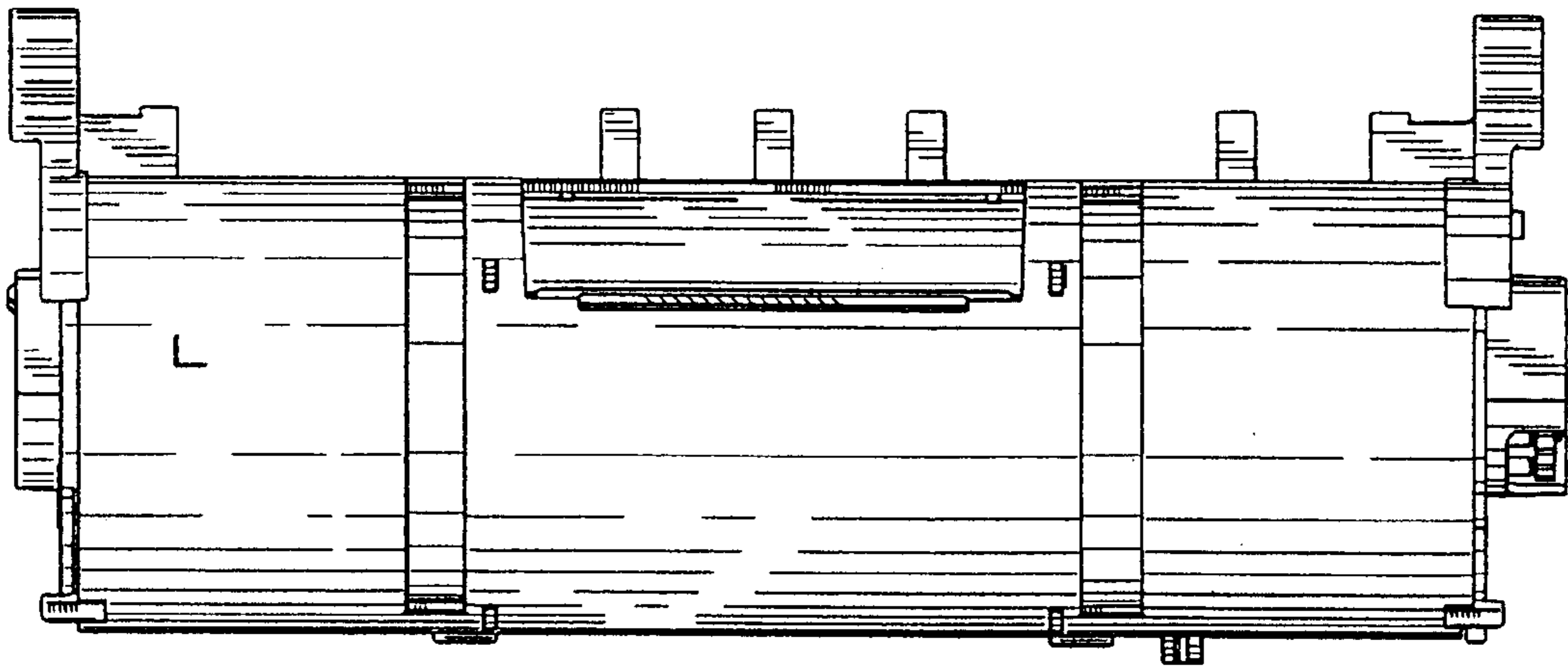


FIG. 3

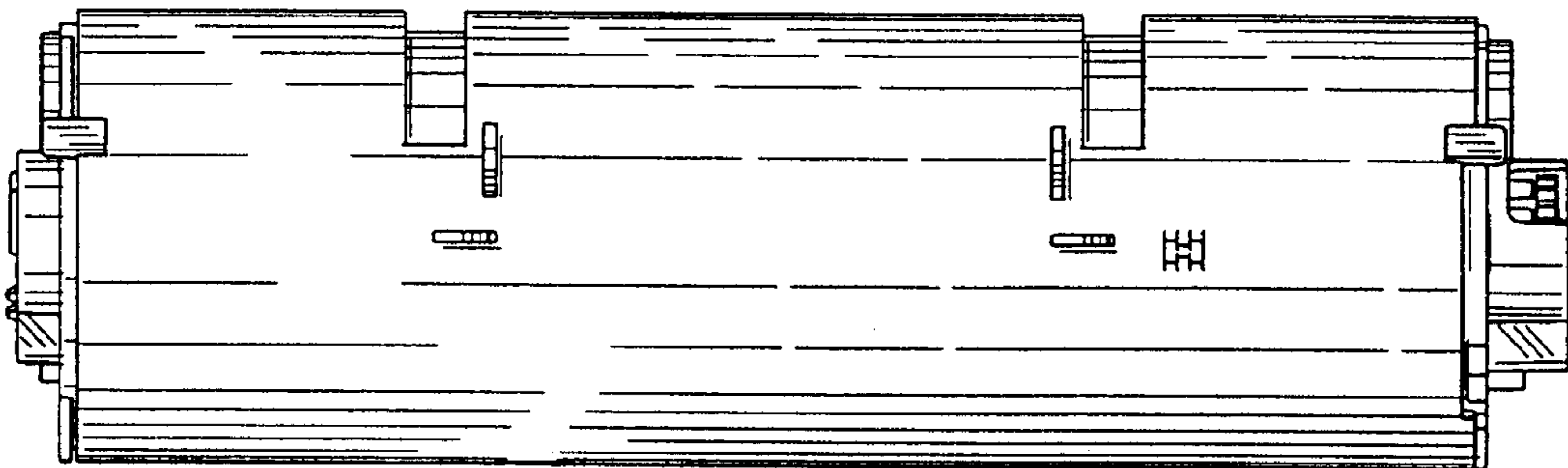


FIG. 4

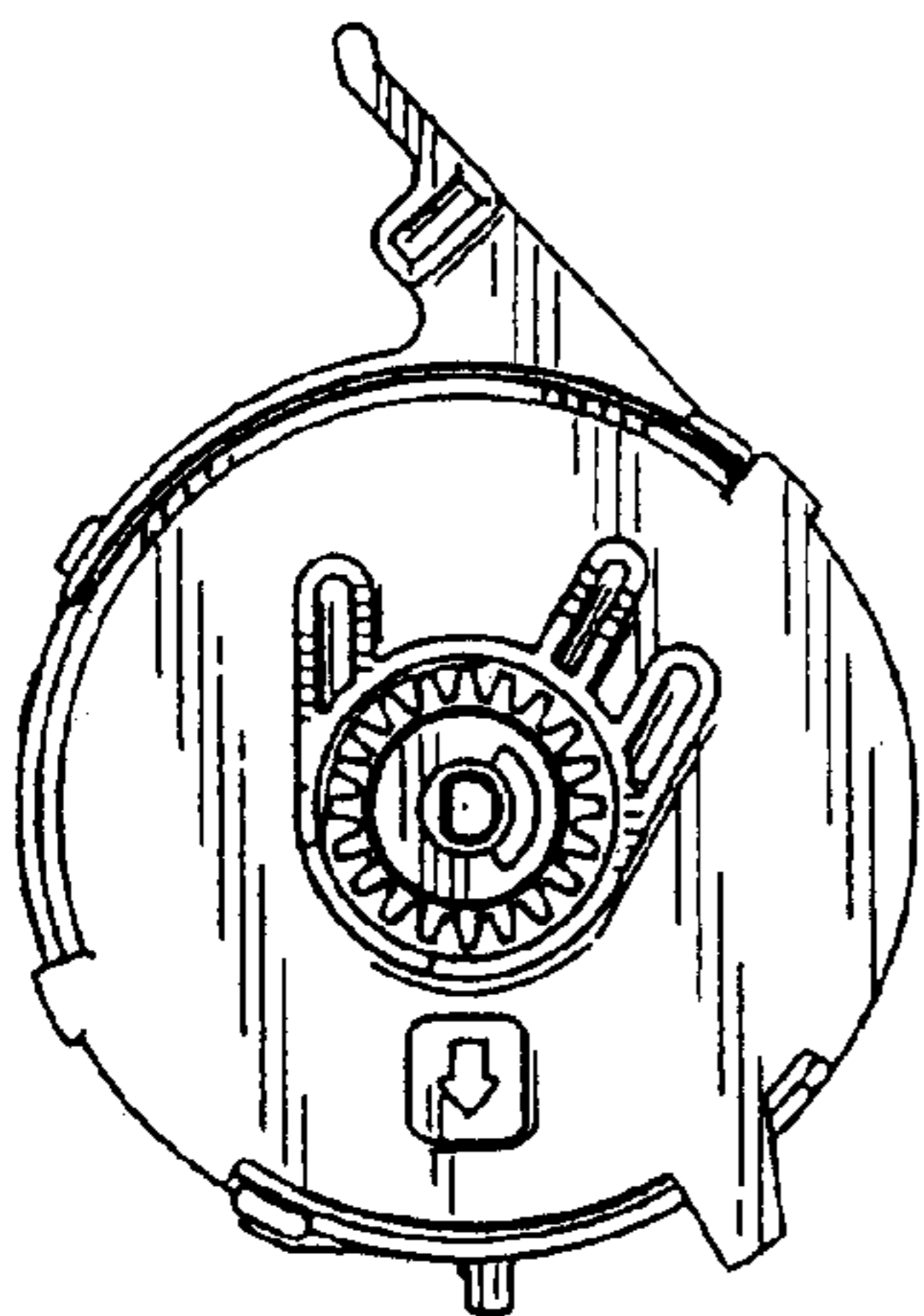


FIG. 5

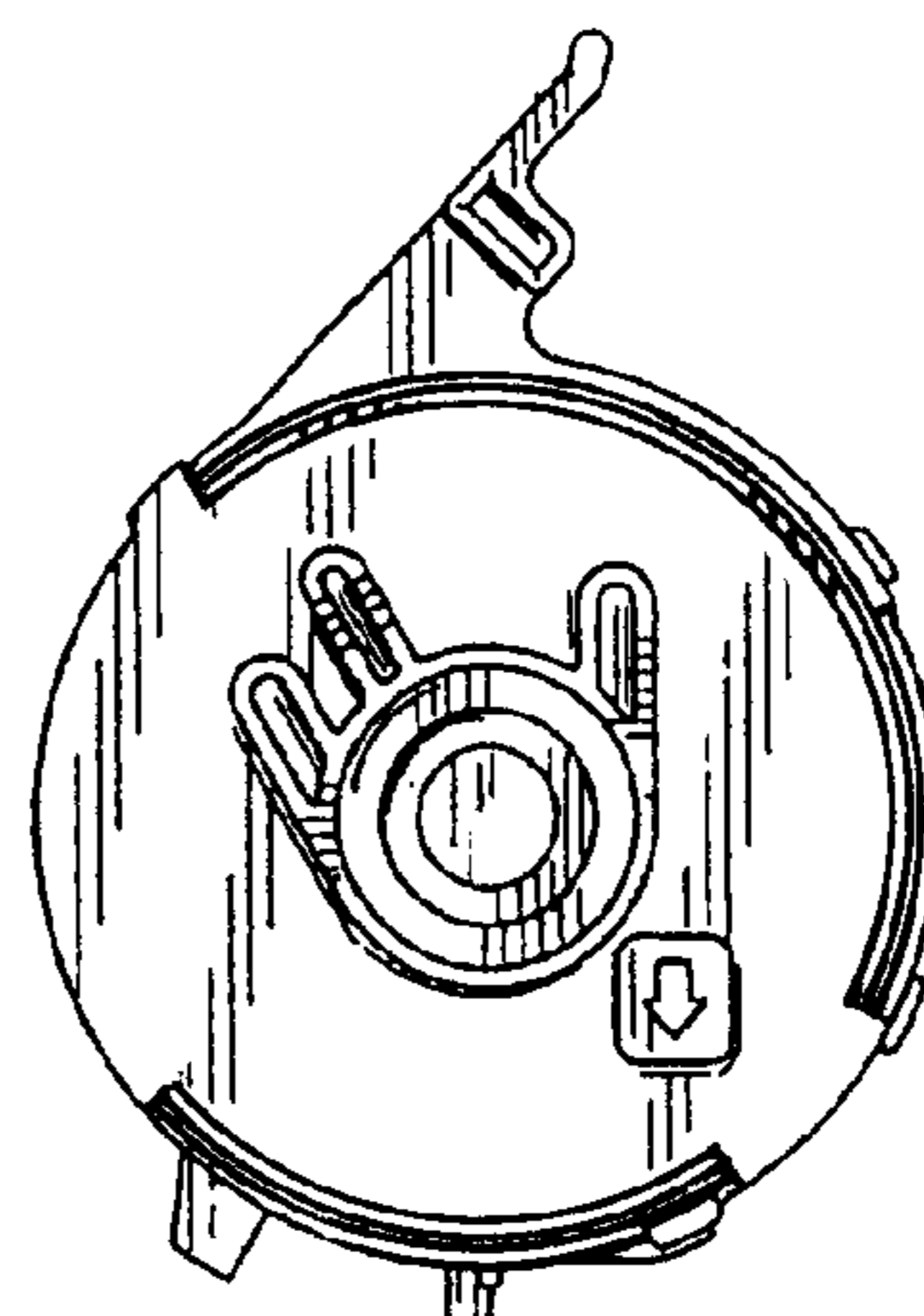


FIG. 6

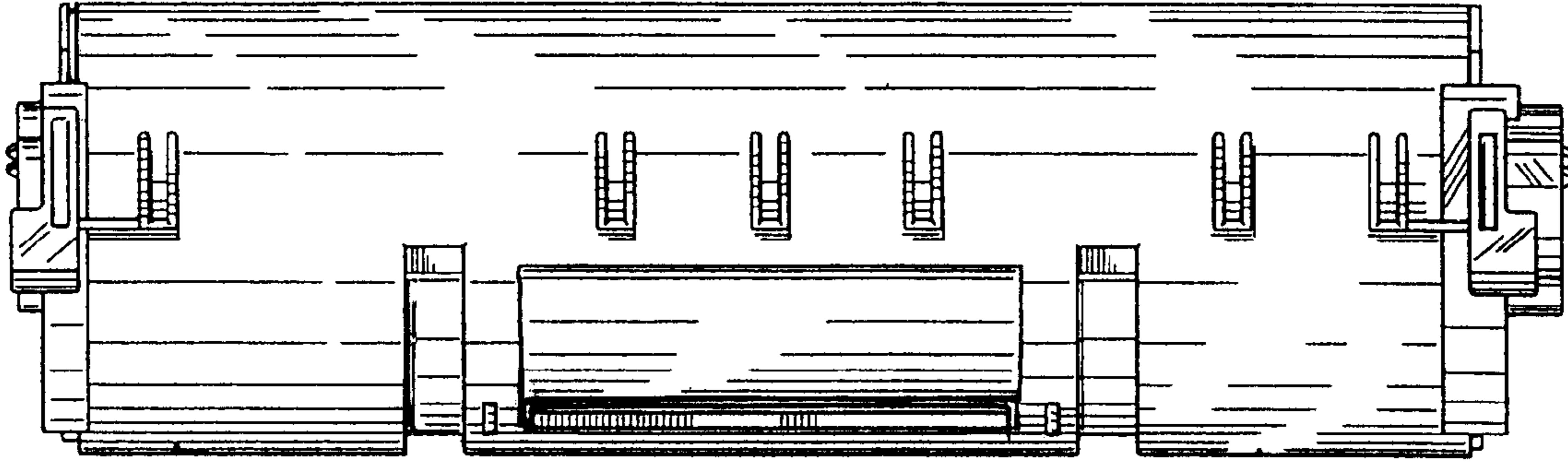


FIG. 7

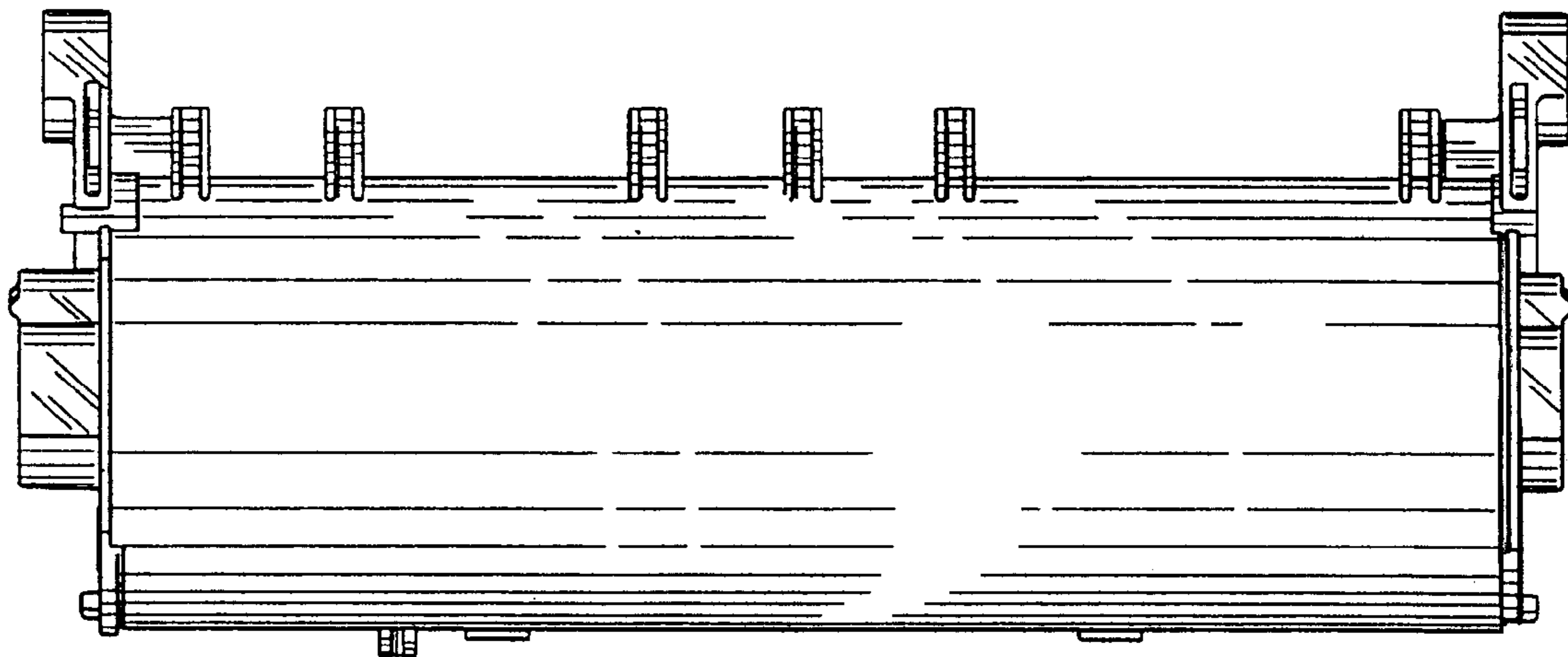


FIG. 8