

US00D546873S

(12) **United States Design Patent**  
**Otani et al.**

(10) **Patent No.:** **US D546,873 S**  
(45) **Date of Patent:** **\*\* Jul. 17, 2007**

(54) **TONER CARTRIDGE**

(75) Inventors: **Shinichi Otani**, Tokyo (JP); **Tetsu Koyama**, Tokyo (JP); **Masayuki Suzuki**, Tokyo (JP); **Atsushi Kobayashi**, Tokyo (JP); **Tetsuji Kojima**, Tokyo (JP); **Yasushi Nakasone**, Tokyo (JP); **Shigenori Koido**, Tokyo (JP); **Takanori Mimura**, Tokyo (JP)

(73) Assignee: **Oki Data Corporation**, Tokyo (JP)

(\*\*) Term: **14 Years**

(21) Appl. No.: **29/232,694**

(22) Filed: **Jun. 21, 2005**

(30) **Foreign Application Priority Data**

Jan. 6, 2005 (JP) ..... 2005-000096

(51) **LOC (8) Cl.** ..... **16-03**

(52) **U.S. Cl.** ..... **D18/43**

(58) **Field of Classification Search** ..... D18/12,  
D18/36, 40, 43, 44, 56; D14/462, 469-471;  
222/DIG. 1; 347/197, 222; 399/24-28,  
399/107-112, 119, 121, 122, 222-224; 400/207,  
400/208

See application file for complete search history.

(56) **References Cited**

**U.S. PATENT DOCUMENTS**

D319,842 S \* 9/1991 Tanda ..... D18/43

6,064,844 A \* 5/2000 Isobe et al. .... 399/119  
D450,752 S \* 11/2001 Ito et al. .... D18/43  
D478,616 S \* 8/2003 Fujita et al. .... D18/43  
D491,602 S \* 6/2004 Koyama et al. .... D18/43  
D491,978 S \* 6/2004 Isomura et al. .... D18/43  
D501,023 S \* 1/2005 Tanaka ..... D18/43  
D524,360 S \* 7/2006 Konishi ..... D18/43

\* cited by examiner

*Primary Examiner*—Robert M. Spear

*Assistant Examiner*—Garth Rademaker

(74) *Attorney, Agent, or Firm*—Ladas and Parry LLP

(57) **CLAIM**

We claim the ornamental design for toner cartridge, as shown.

**DESCRIPTION**

FIG. 1 is a front elevational view of a toner cartridge showing the new design;

FIG. 2 is a rear elevational view thereof;

FIG. 3 is a left side elevational view thereof;

FIG. 4 is a right side elevational view thereof;

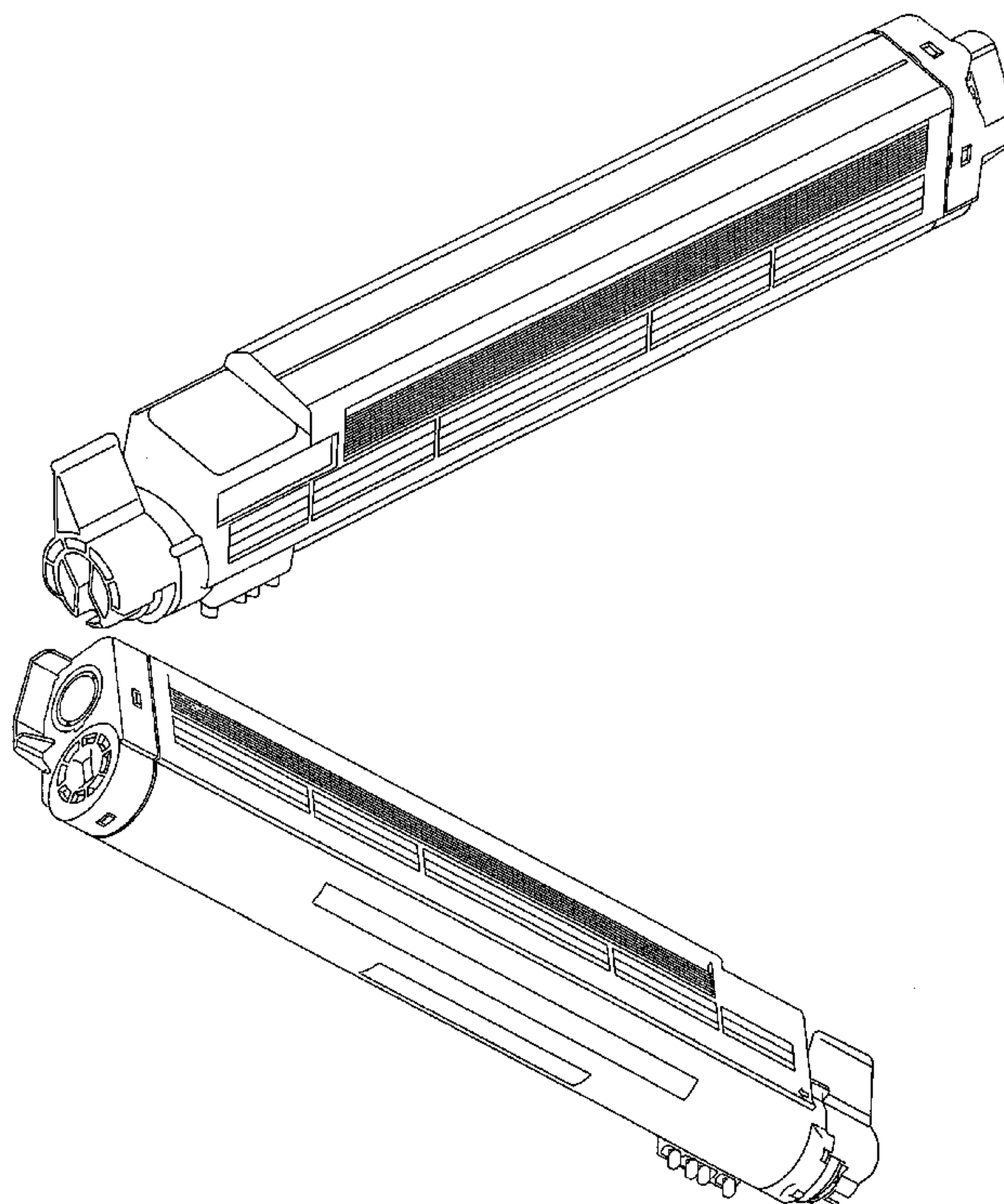
FIG. 5 is a top plan view of FIG. 1;

FIG. 6 is a bottom plan view thereof;

FIG. 7 is a front and left side perspective view thereof; and,

FIG. 8 is a bottom and right side perspective view thereof.

**1 Claim, 4 Drawing Sheets**



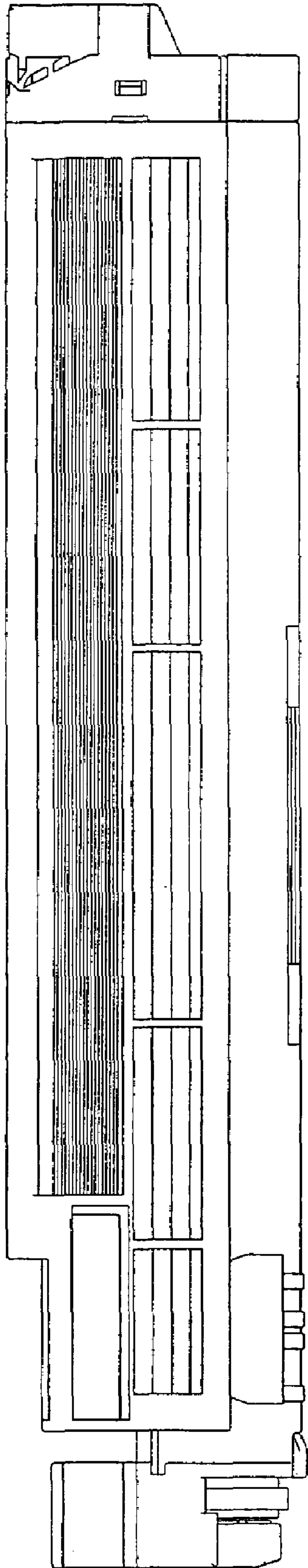


FIG. 1

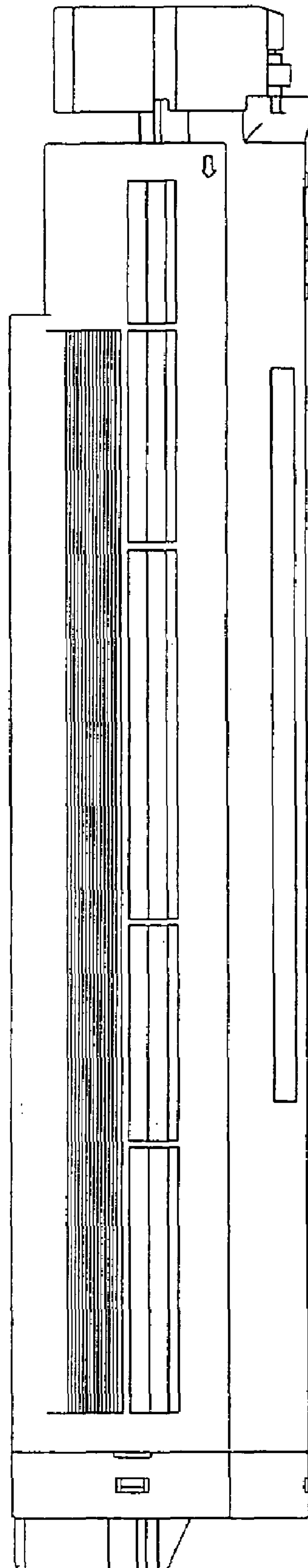


FIG. 2

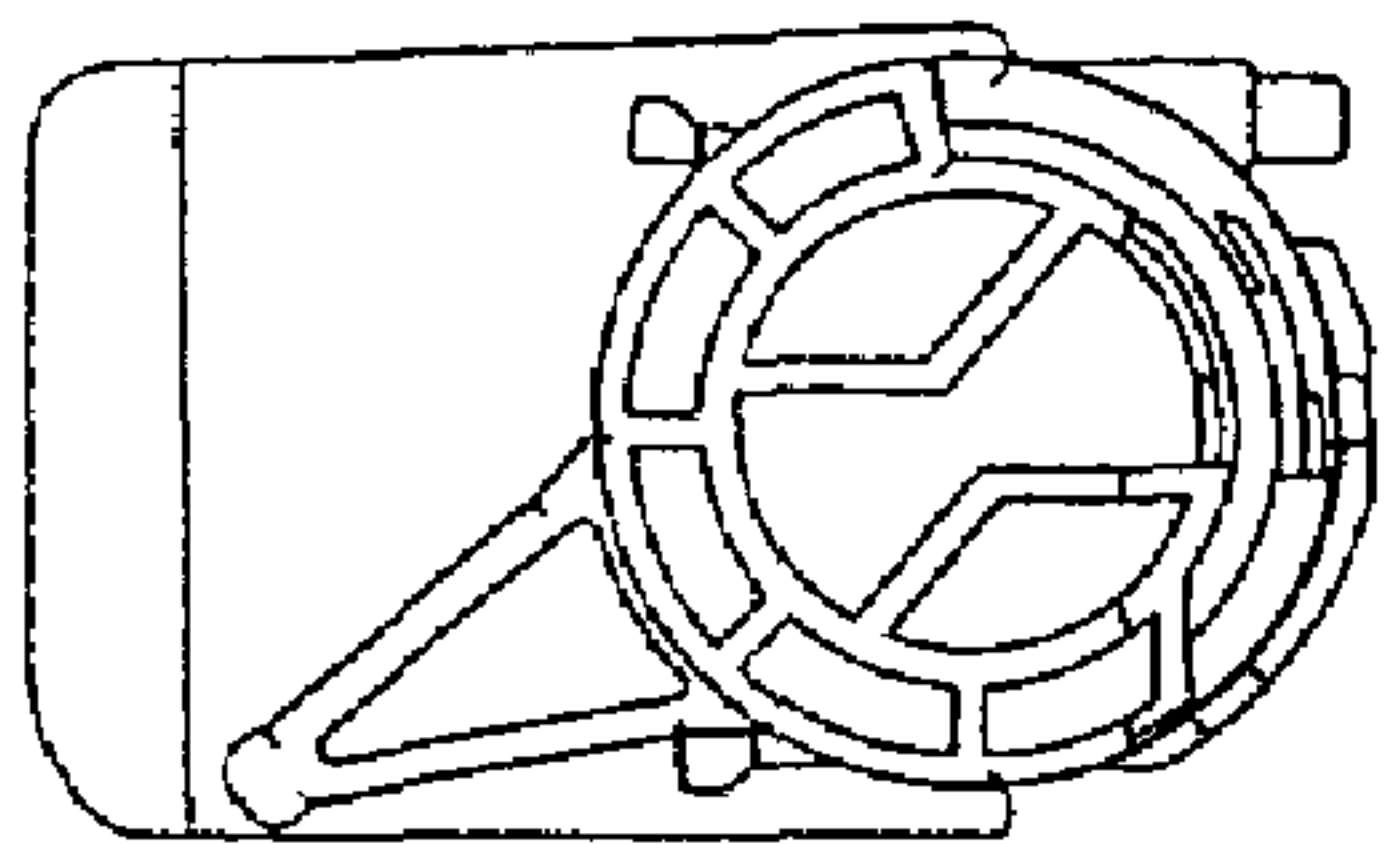


FIG. 3

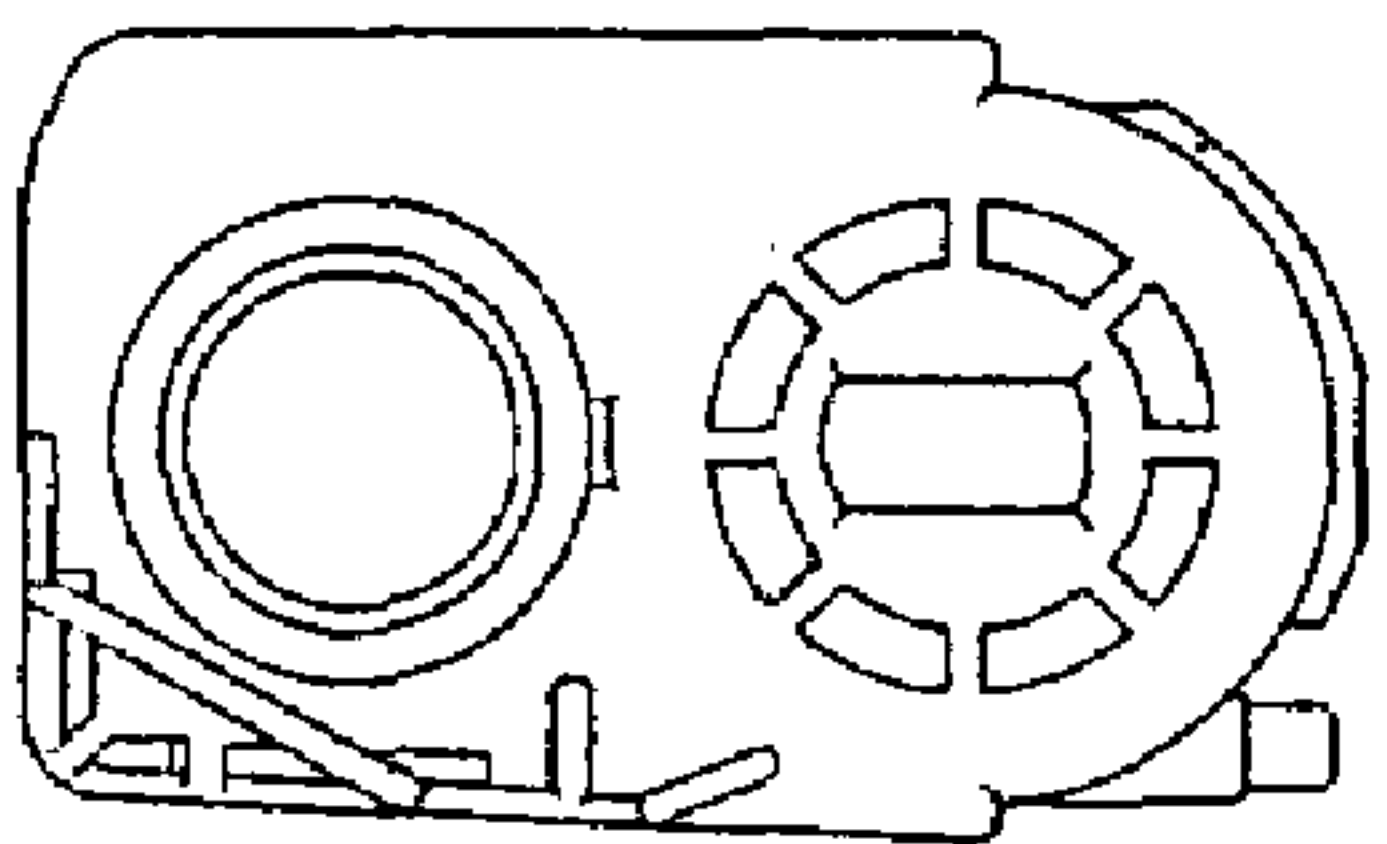


FIG. 4

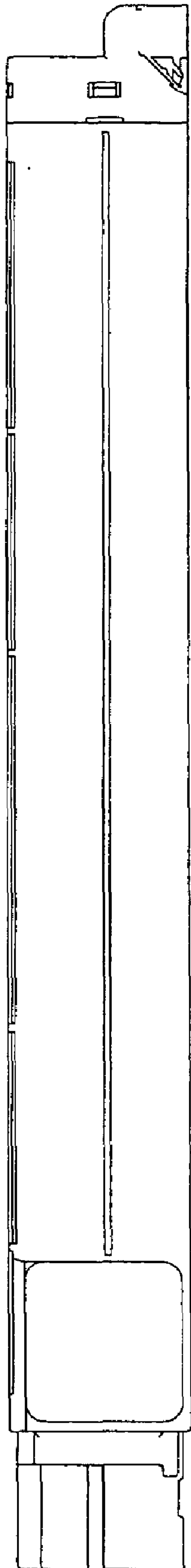


FIG. 5

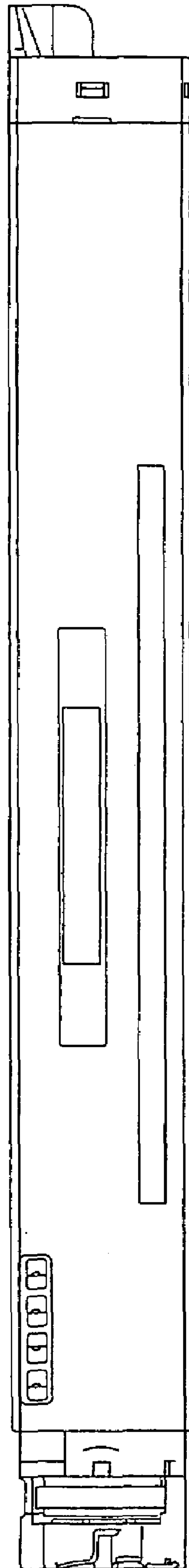


FIG. 6

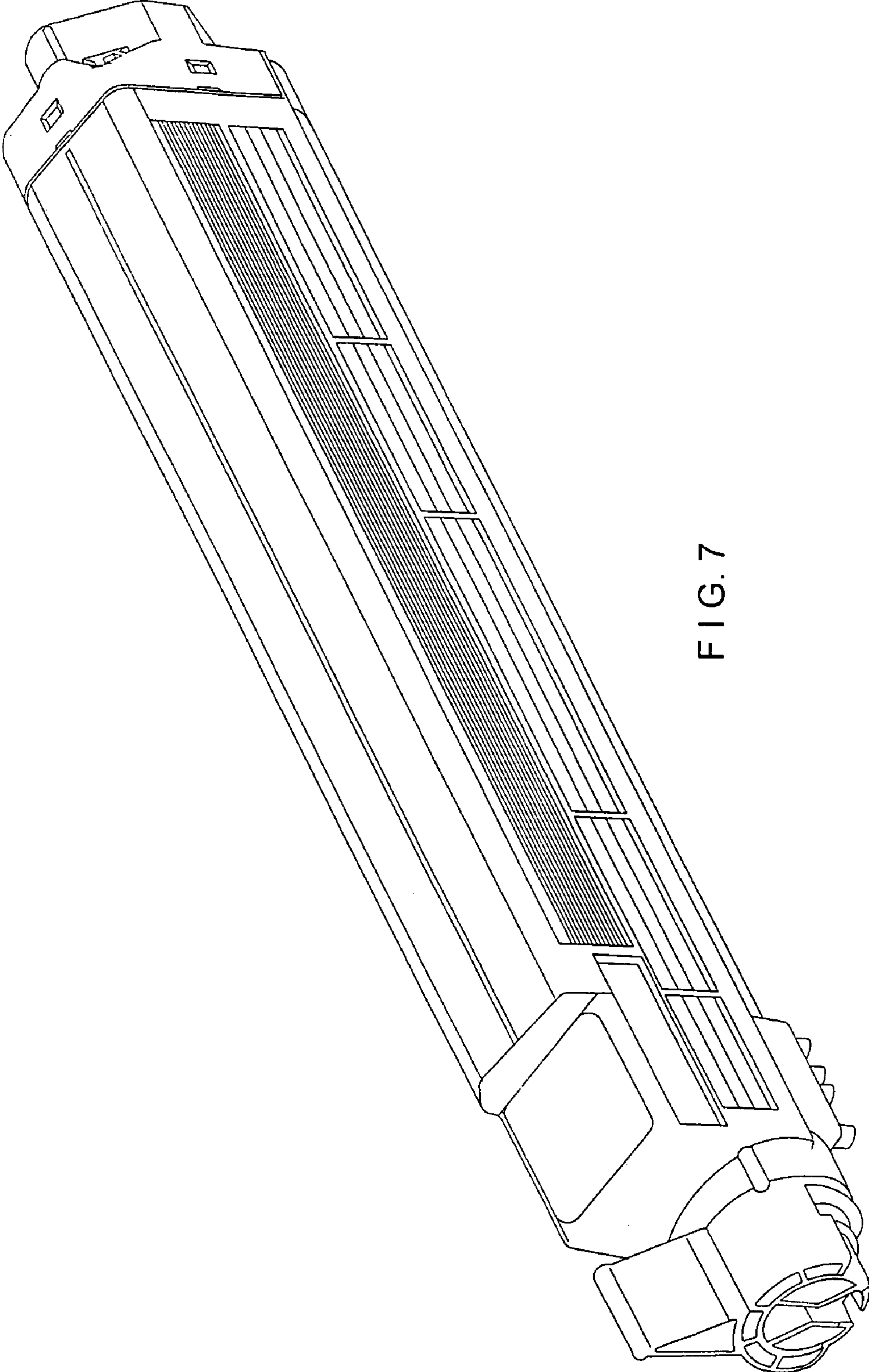


FIG. 7



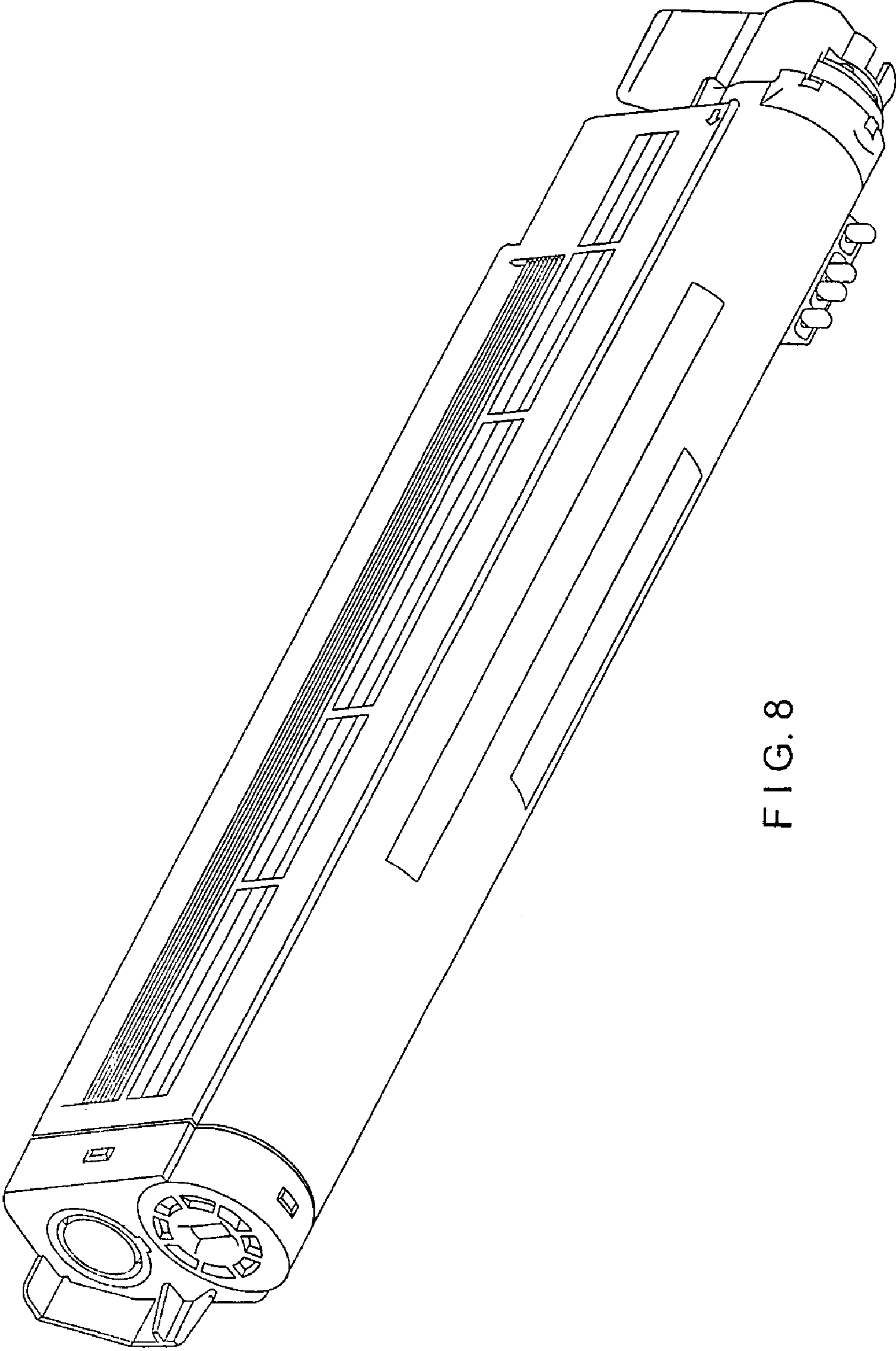


FIG. 8