

US00D546866S

(12) **United States Design Patent**
Yang

(10) **Patent No.:** **US D546,866 S**

(45) **Date of Patent:** **** Jul. 17, 2007**

(54) **EYE GLASSES WITH MP3 PLAYER**

(75) Inventor: **Handsone Yang**, Shenzhen (CN)

(73) Assignee: **Shenzhen Seepu Technology Co., Ltd.**,
Shenzhen (CN)

(**) Term: **14 Years**

(21) Appl. No.: **29/243,919**

(22) Filed: **Dec. 2, 2005**

(51) **LOC (8) Cl.** **16-06**

(52) **U.S. Cl.** **D16/309; D16/336; D16/304**

(58) **Field of Classification Search** D16/101,
D16/300-330, 332-338, 341, 342; D21/190;
D24/110.2; 351/41, 44, 47, 51, 61-63, 83,
351/86, 90, 103-111, 114, 117, 119, 121-124,
351/128, 130-132, 136-139, 153, 158; 2/12,
2/13, 426-432, 434-437, 441, 447-449,
2/453; 359/618; 381/327; 455/347; D14/137,
D14/156, 157, 168, 169, 188, 189-199, 265,
D14/446; D27/148

See application file for complete search history.

(56) **References Cited**

U.S. PATENT DOCUMENTS

5,606,743	A *	2/1997	Vogt et al.	455/347
5,892,564	A *	4/1999	Rahn	351/158
6,010,216	A *	1/2000	Jesiek	351/158
6,091,546	A *	7/2000	Spitzer	359/618
D460,432	S *	7/2002	Brown	D14/156
D474,223	S *	5/2003	Chen	D16/315
D481,372	S *	10/2003	Brown	D14/156
D485,570	S *	1/2004	Teng	D16/314

6,690,807	B1 *	2/2004	Meyer	381/327
D514,083	S *	1/2006	Schultz	D14/168
7,182,459	B1 *	2/2007	Chen	351/158
D537,978	S *	3/2007	Chen	D27/148
2002/0021407	A1 *	2/2002	Elliott	351/158
2005/0046789	A1 *	3/2005	Jannard et al.	351/158
2005/0128431	A1 *	6/2005	Jannard et al.	351/158
2006/0072067	A1 *	4/2006	Jannard et al.	351/41
2006/0158608	A1 *	7/2006	Lin	351/158

* cited by examiner

Primary Examiner—T. Chase Nelson

Assistant Examiner—Barbara Blanton Lohr

(57) **CLAIM**

The ornamental design for eye glasses with MP3 player, as shown and described.

DESCRIPTION

FIG. 1 is a front elevational view of eye glasses with MP3 player showing my new design.

FIG. 2 is a rear elevational view thereof;

FIG. 3 is a left side elevational view thereof;

FIG. 4 is a right side elevational view thereof;

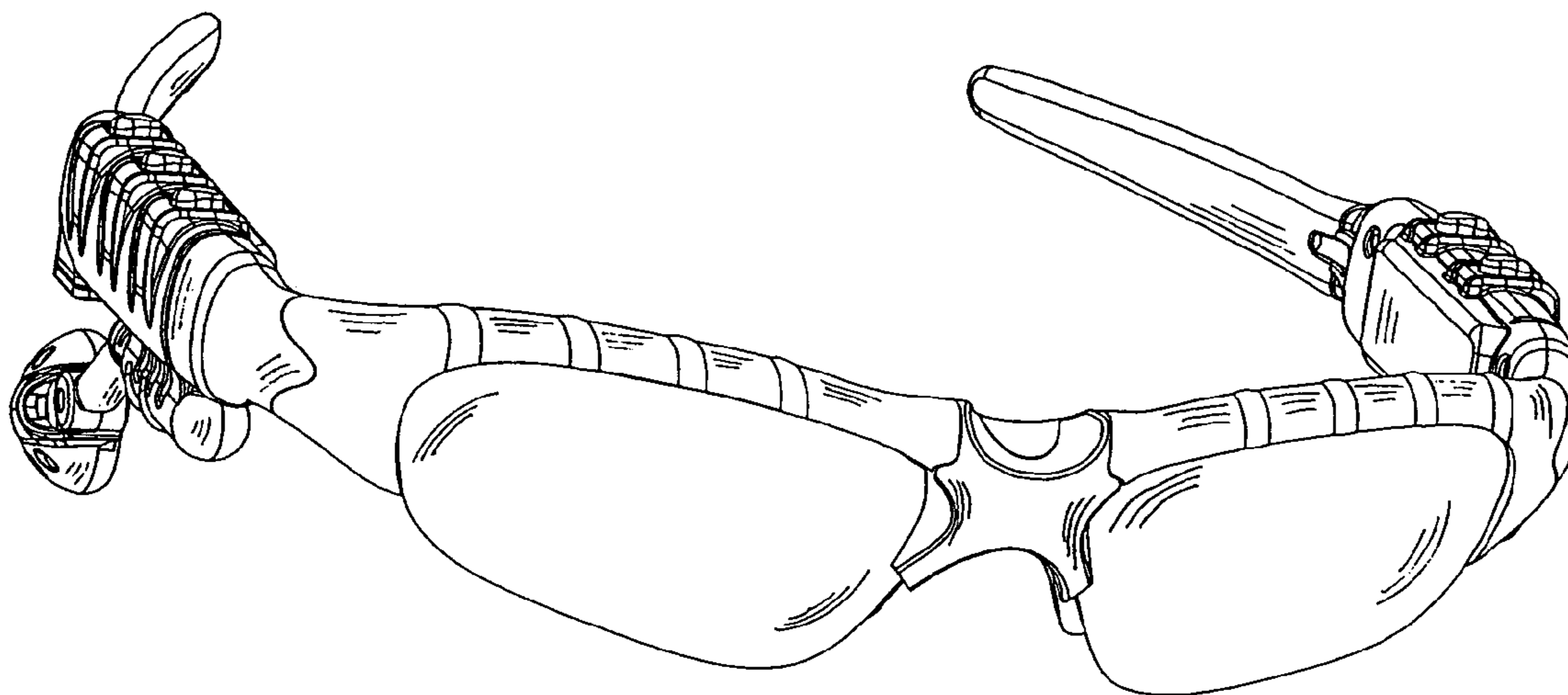
FIG. 5 is a top plan view thereof;

FIG. 6 is a bottom plan view thereof;

FIG. 7 is a perspective view thereof; and,

FIG. 8 is a perspective view thereof with the lenses of the eye glasses with MP3 player lifted up in an alternate position.

1 Claim, 6 Drawing Sheets



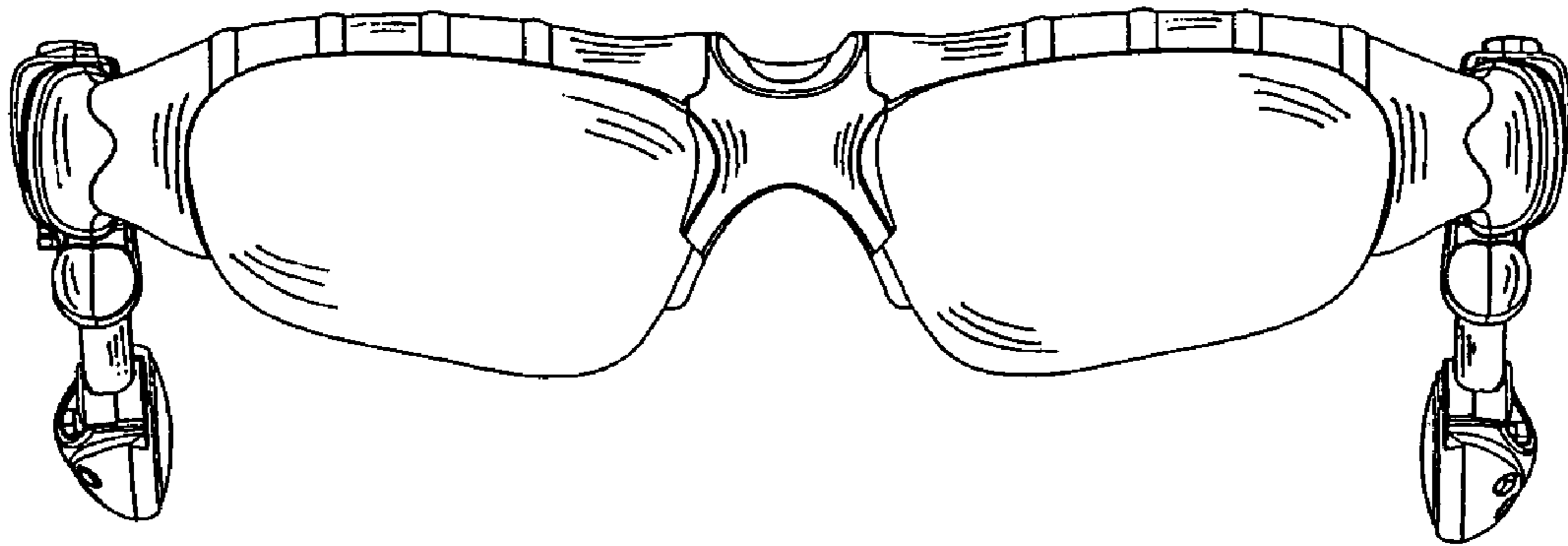


FIG. 1

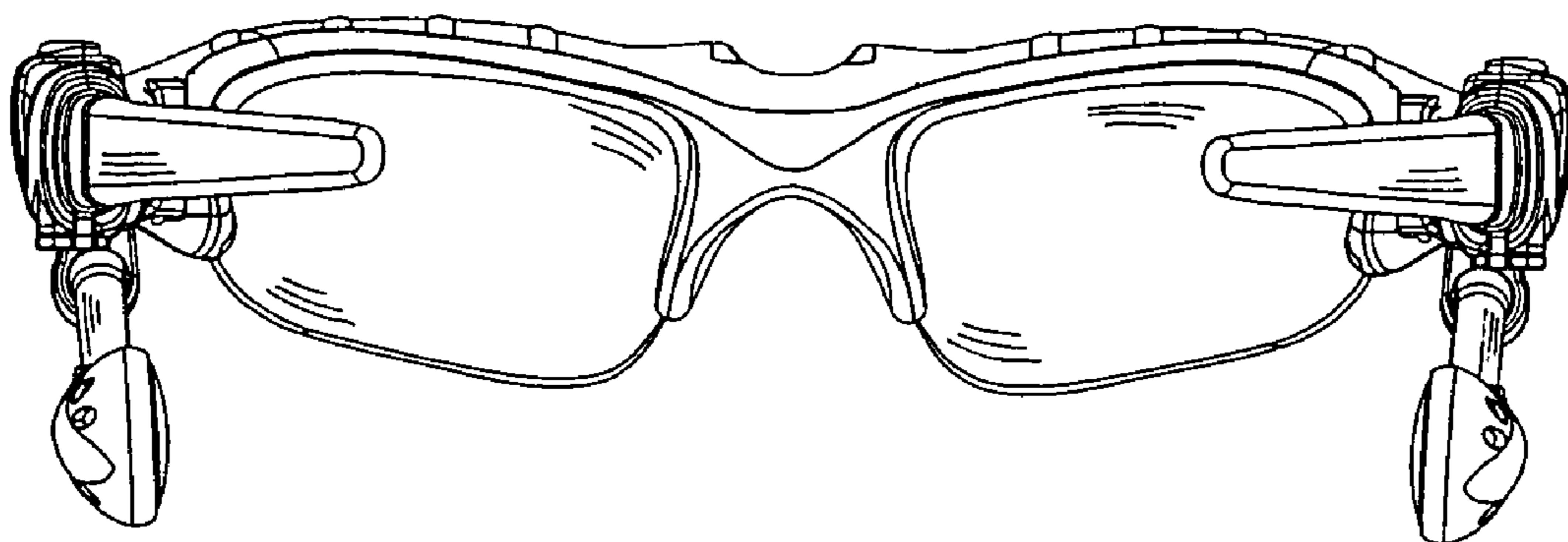


FIG. 2

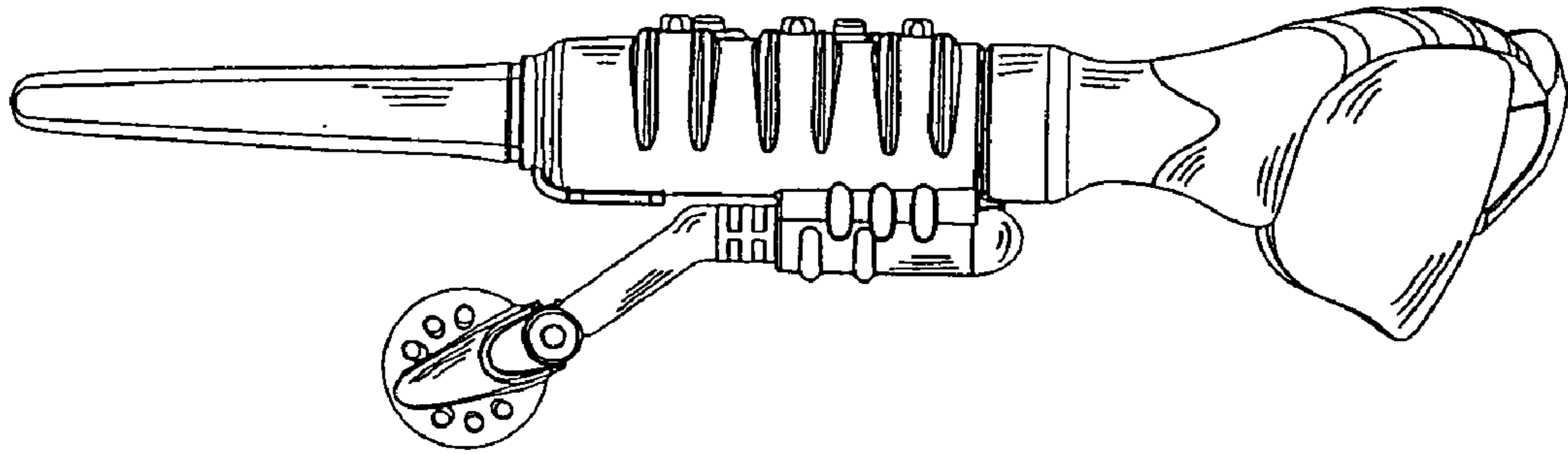


FIG. 3

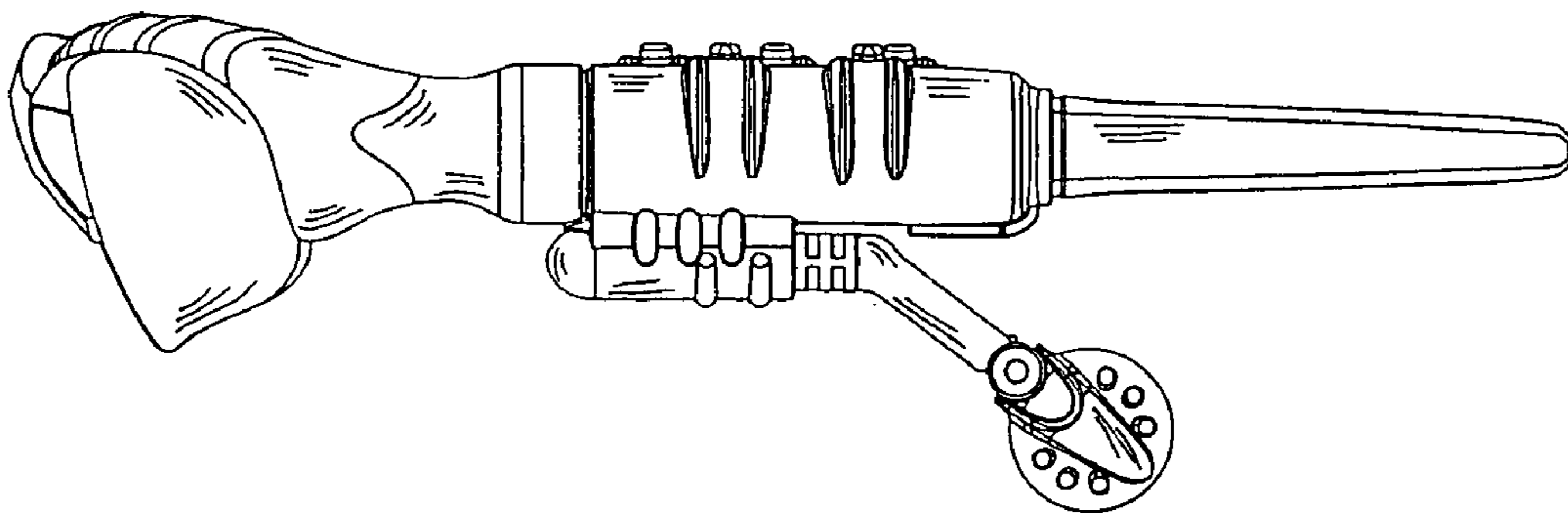


FIG. 4

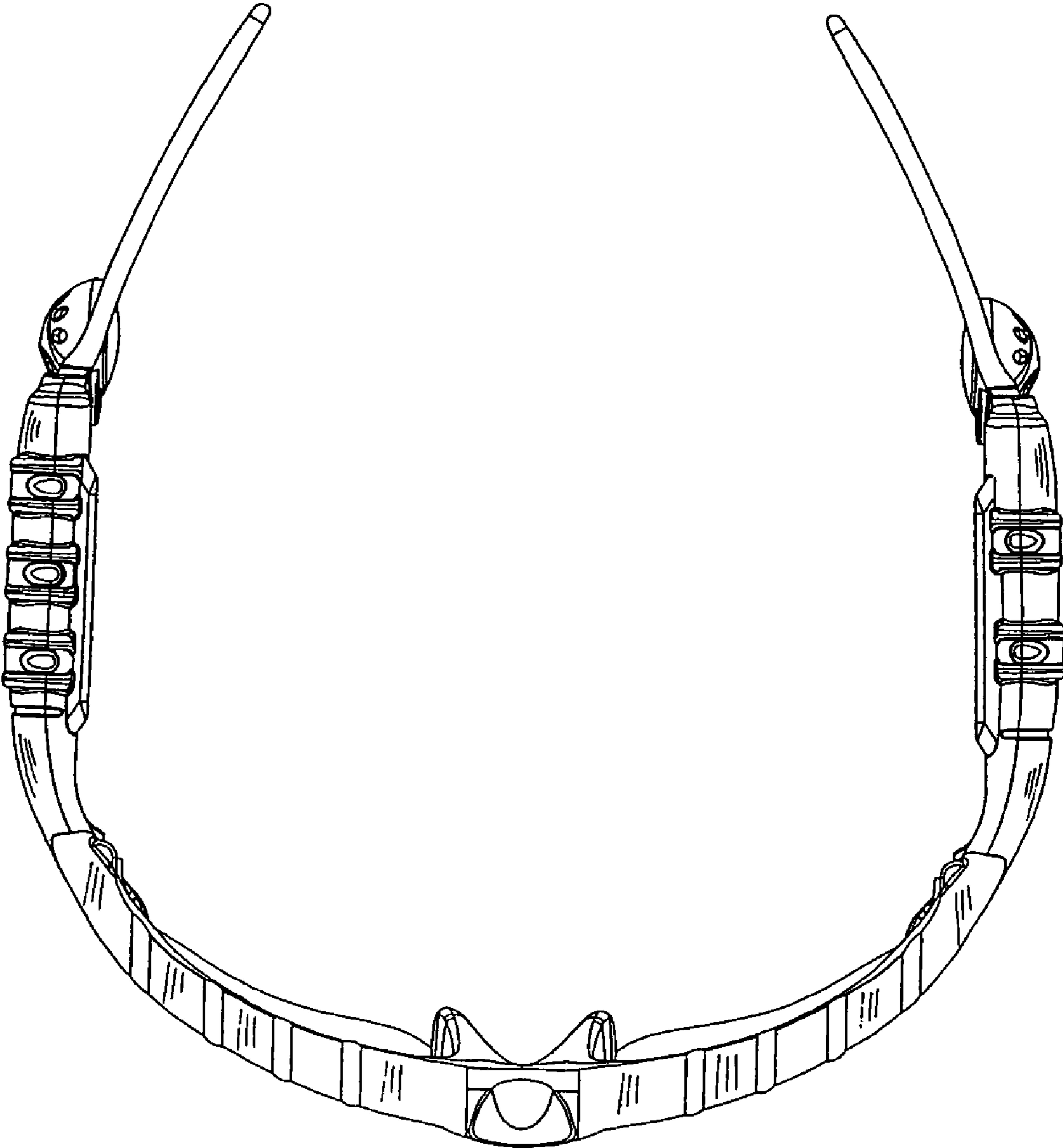


FIG. 5

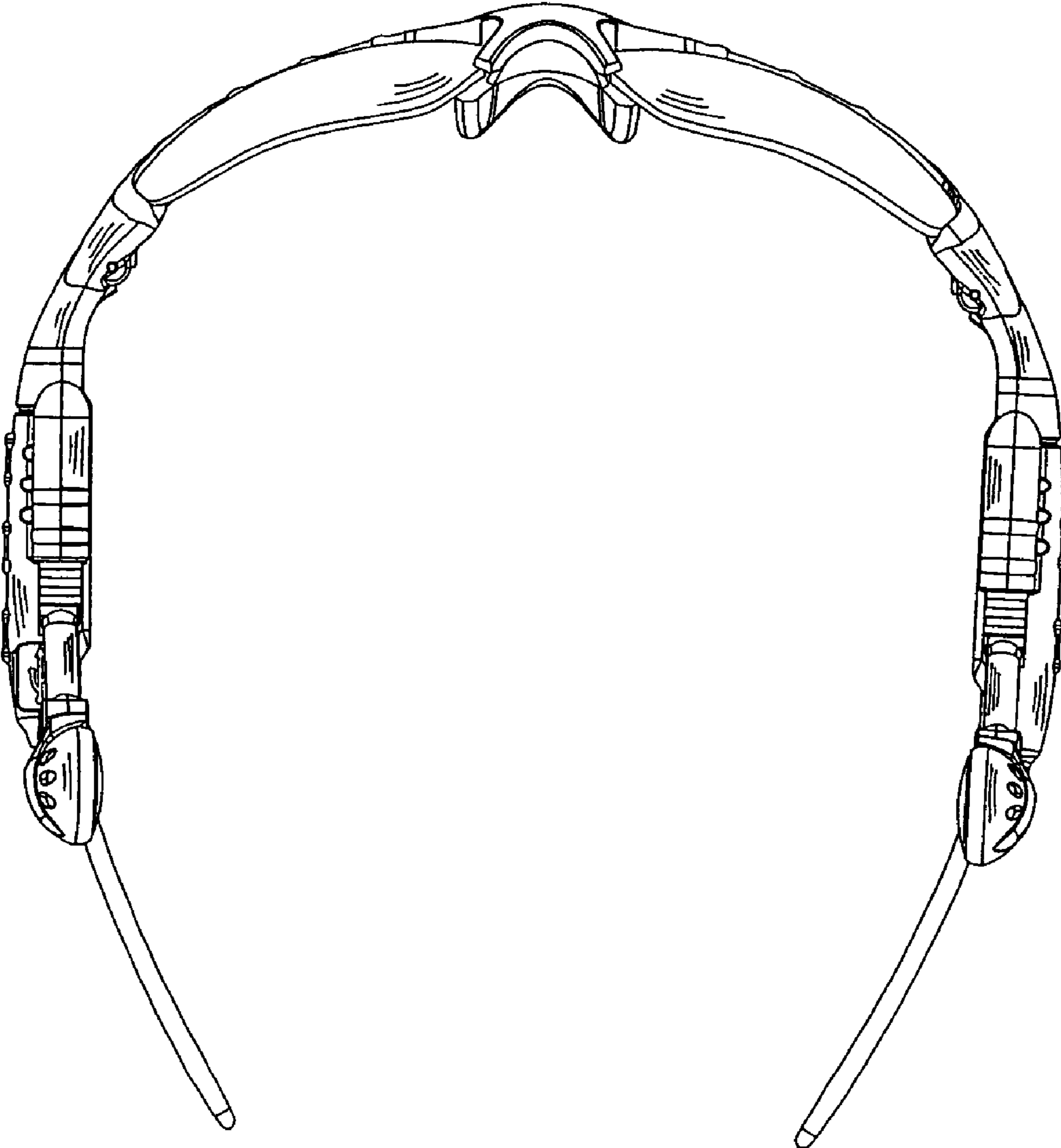


FIG. 6

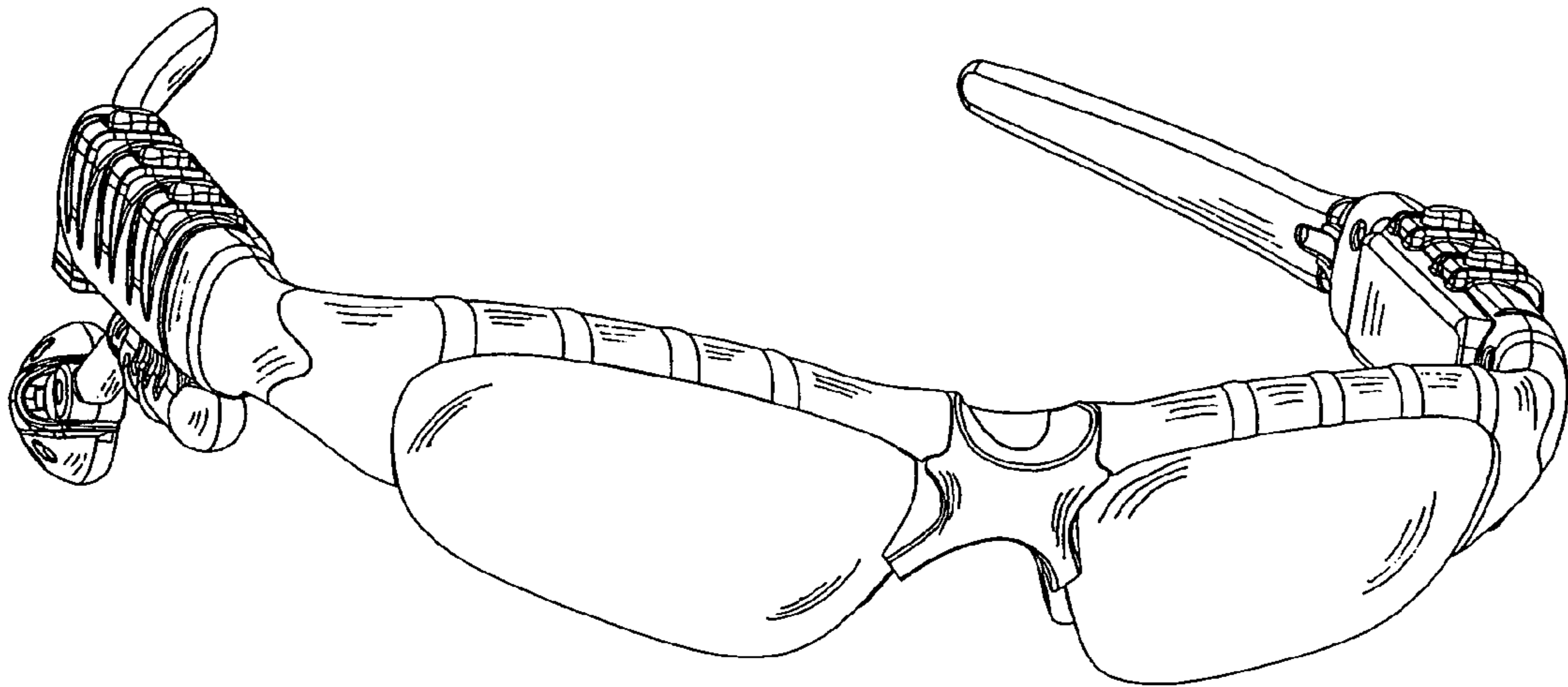


FIG. 7

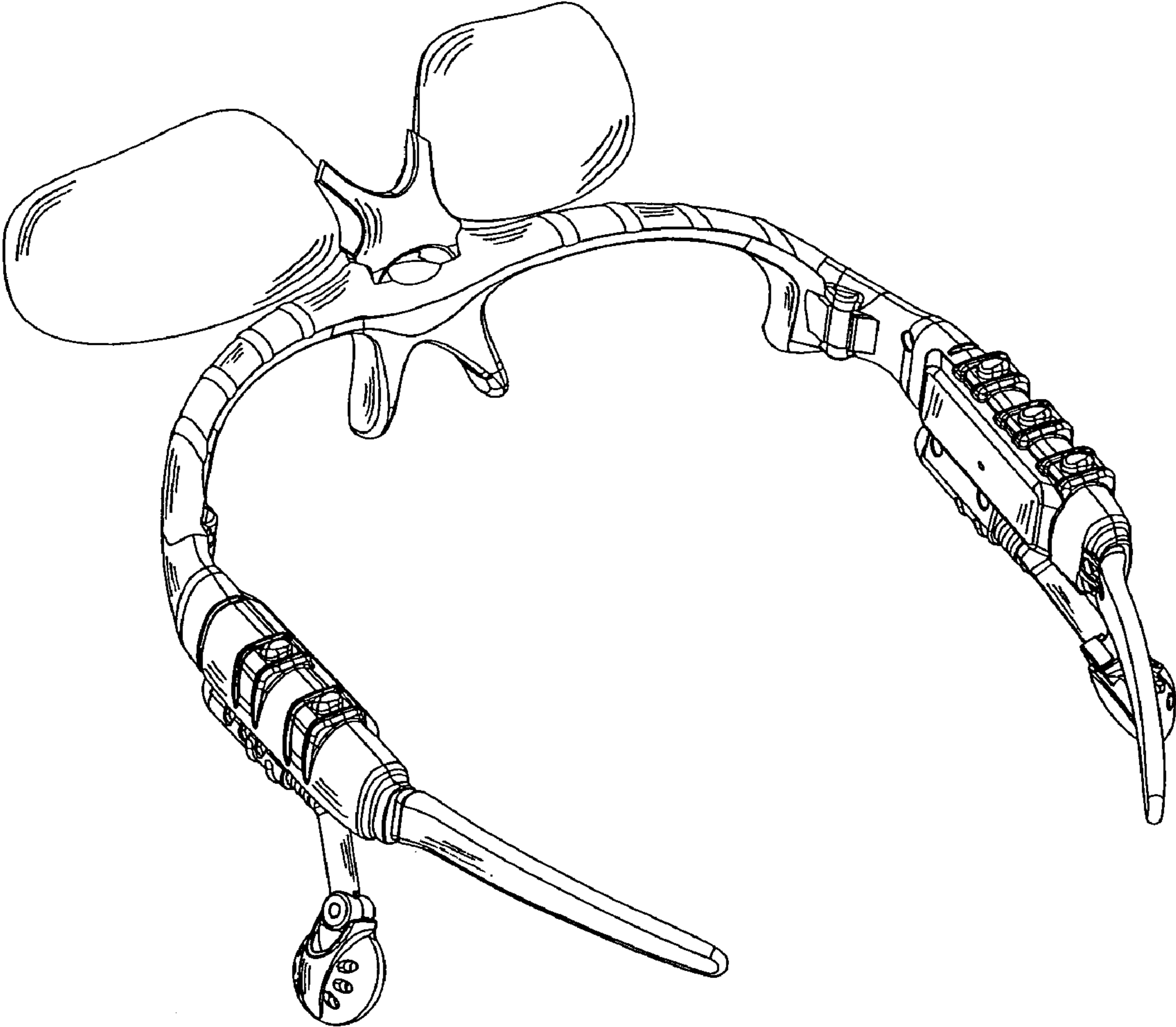


FIG. 8