

US00D546865S

(12) **United States Design Patent** (10) **Patent No.:** **US D546,865 S**
Rietveld et al. (45) **Date of Patent:** **** Jul. 17, 2007**

(54) **CAMERA SUPPORT HANDLE**

(76) Inventors: **Floyd L. Rietveld**, 6831 Rosecliff Pl., Dayton, OH (US) 45459; **William R. Mack**, 2365 Donamere Cir., Centerville, OH (US) 45459

(**) Term: **14 Years**

(21) Appl. No.: **29/233,923**

(22) Filed: **Jul. 11, 2005**

(51) **LOC (8) Cl.** **16-05**

(52) **U.S. Cl.** **D16/242; D16/245**

(58) **Field of Classification Search** D16/206, D16/242, 244, 245, 237; D6/417, 449, 491, D6/495, 496, 500, 334; D8/300-323; D25/126; 248/229.16, 229.26, 231.51, 170, 274.1, 248/127, 316.7, 519, 168-171, 125.1, 176.1, 248/187.1, 179.1, 188.7; 354/81; 396/419, 396/428

See application file for complete search history.

(56) **References Cited**

U.S. PATENT DOCUMENTS

- 1,803,347 A 5/1931 Owens
- D159,836 S 8/1950 Nerman
- 2,617,142 A 11/1952 Cadwell et al.
- 2,636,822 A * 4/1953 Anderson 224/185
- D196,010 S 8/1963 Kubnick
- D210,704 S 4/1968 Ross, Jr. et al.
- 3,664,618 A * 5/1972 Krueger 248/519
- 3,810,647 A * 5/1974 Martchenke 248/187.1

- 4,329,041 A 5/1982 Mädge et al.
- D311,198 S 10/1990 Kosugi et al.
- 5,021,813 A 6/1991 Corrales
- D318,746 S * 7/1991 Austin D28/65
- D320,995 S 10/1991 Fukuda et al.
- D351,180 S * 10/1994 O'Neal et al. D16/242
- D367,364 S * 2/1996 Lewis D6/334
- D394,669 S * 5/1998 Becker et al. D16/242
- D411,220 S * 6/1999 Surabian D16/242
- 6,293,449 B1 * 9/2001 McGuire et al. 224/420
- 6,491,266 B1 * 12/2002 Chen 248/170

* cited by examiner

Primary Examiner—Ian Simmons

Assistant Examiner—Wan Laymon

(74) *Attorney, Agent, or Firm*—Jacox, Meckstroth & Jenkins

(57) **CLAIM**

The ornamental design for a camera support handle, as shown and described.

DESCRIPTION

FIG. 1 is a perspective view of a camera support handle showing our new design;

FIG. 2 is a side view thereof;

FIG. 3 is a bottom end view thereof; and,

FIG. 4 is a top end view thereof.

The camera shown in dotted lines in FIG. 1 is for illustrative purpose only and forms no part of the claimed design.

1 Claim, 1 Drawing Sheet

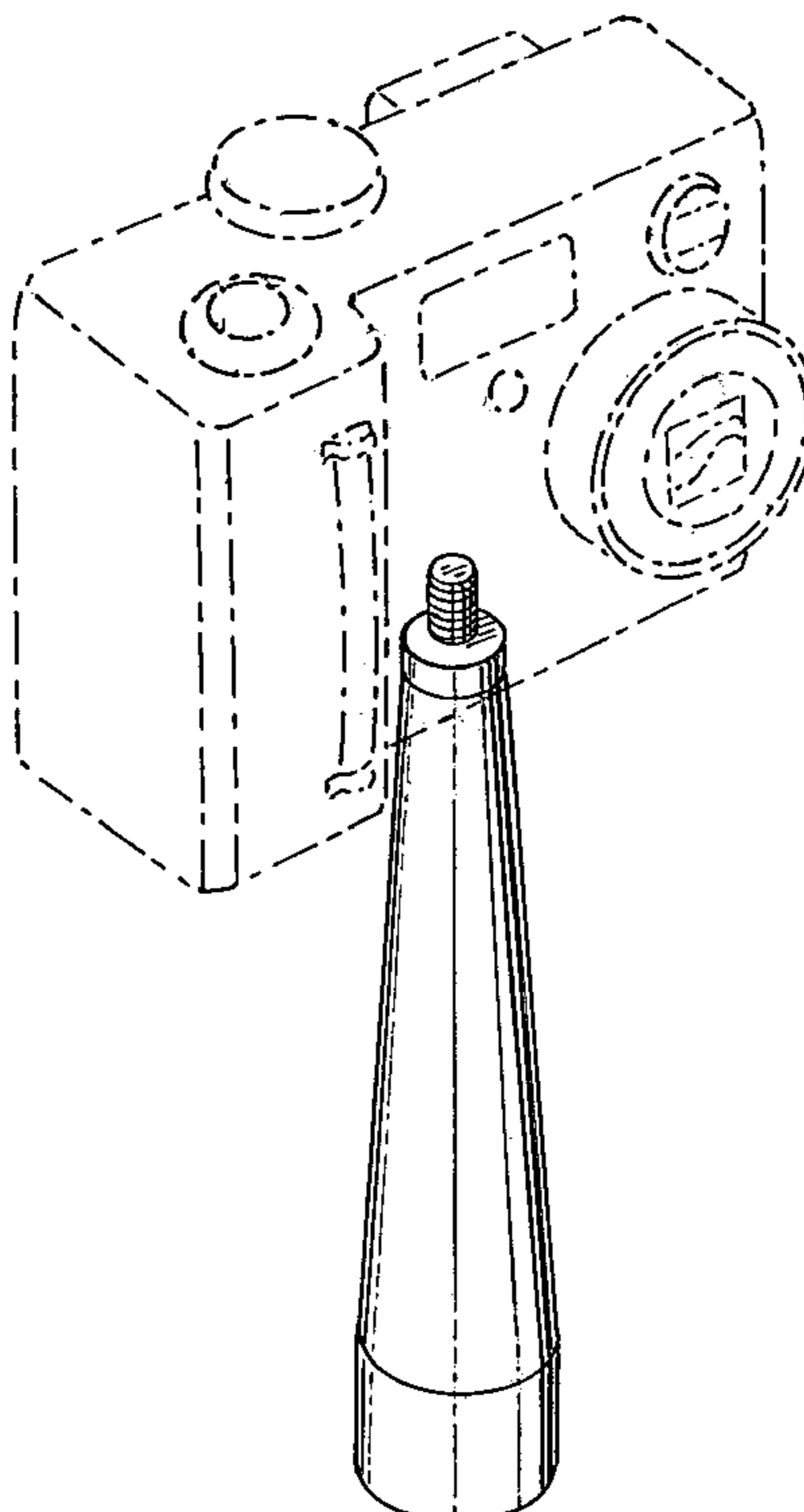


FIG-1

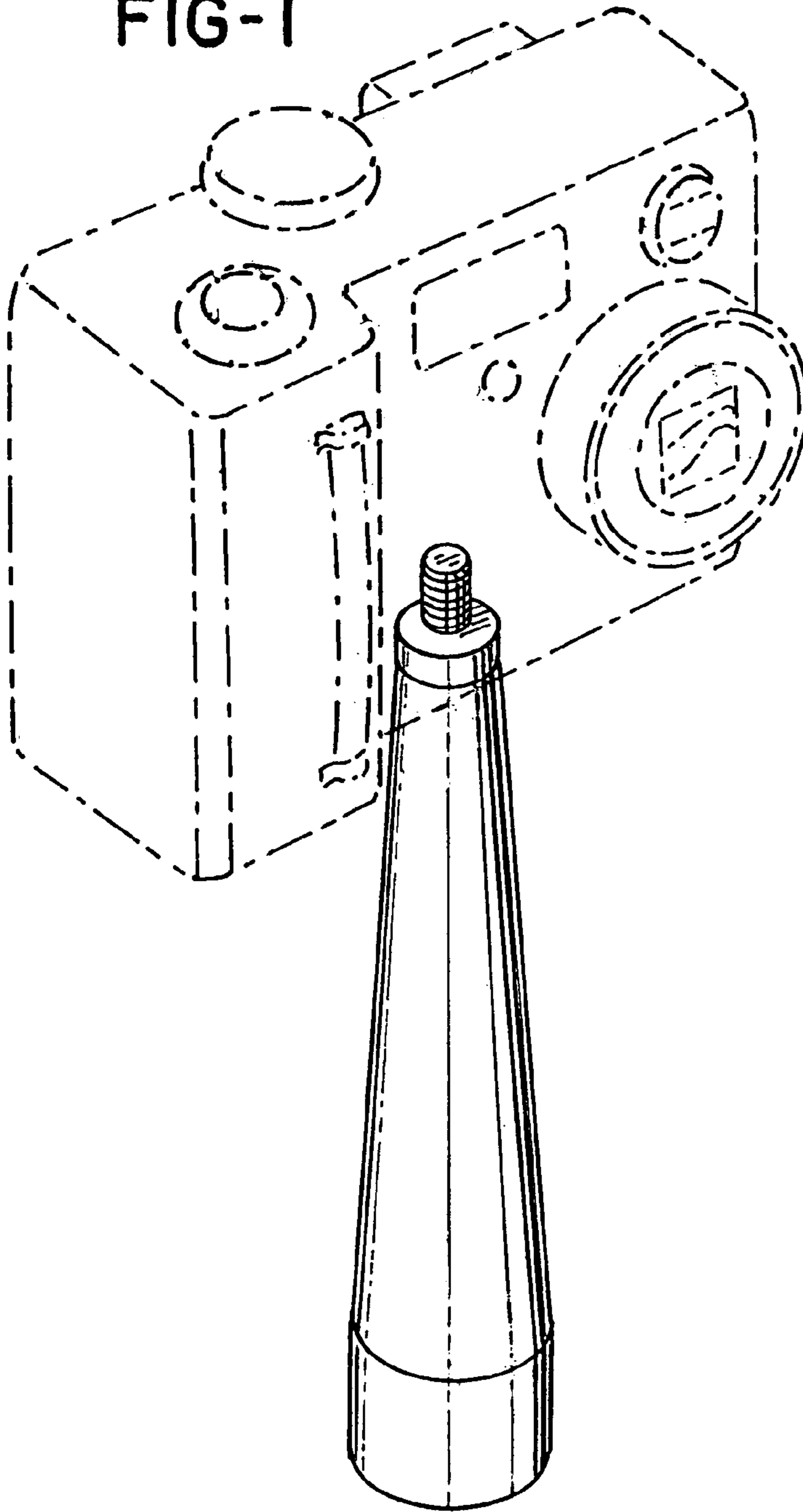


FIG-2

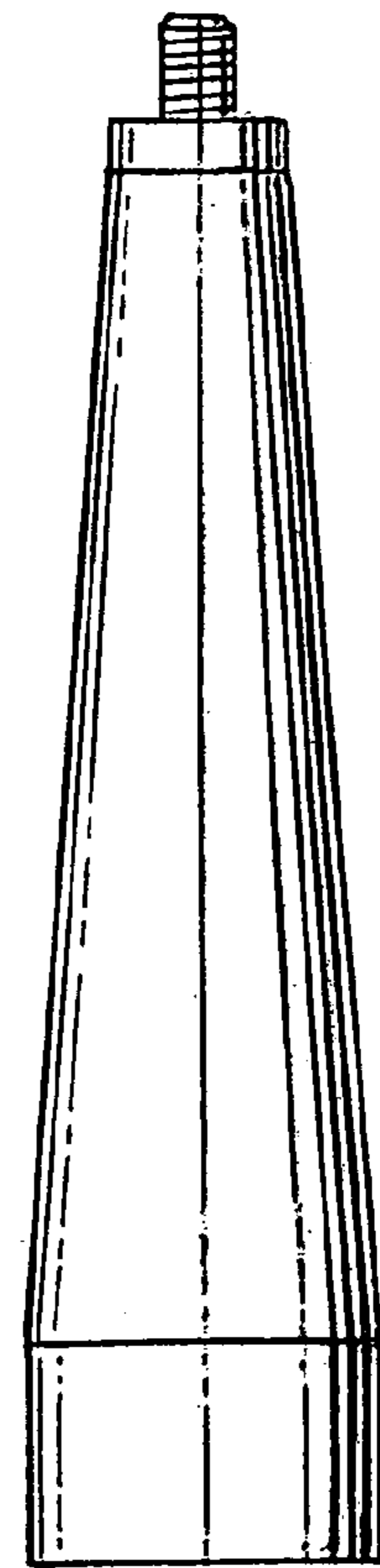


FIG-3

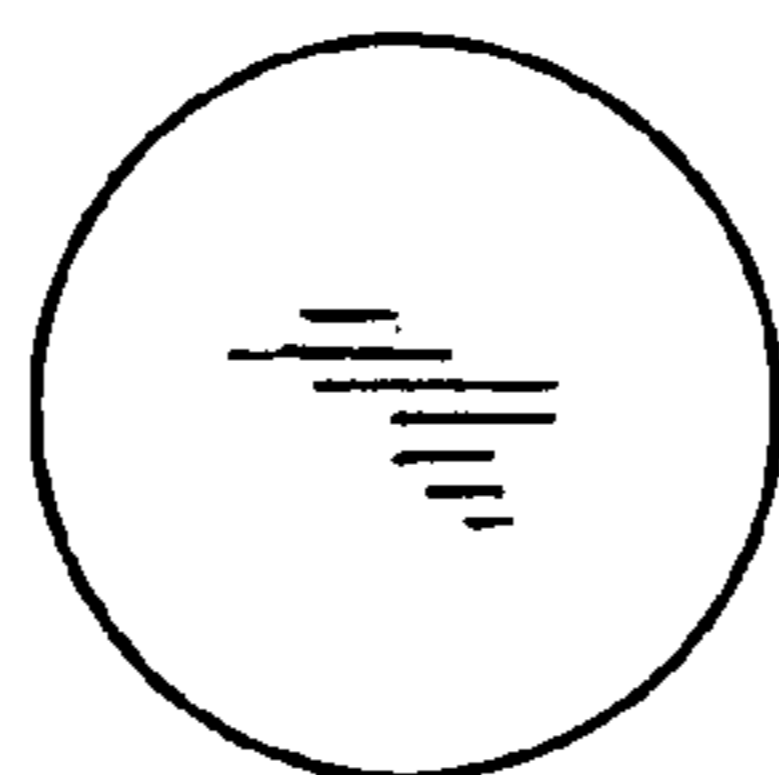


FIG-4

