

US00D546864S

(12) **United States Design Patent**  
**Kim**

(10) **Patent No.:** **US D546,864 S**

(45) **Date of Patent:** **\*\* Jul. 17, 2007**

(54) **PROJECTOR**

D498,489 S \* 11/2004 Oross ..... D16/230  
D511,353 S \* 11/2005 Kawashima ..... D16/230

(75) Inventor: **Kyoung-Hoon Kim**, Seoul (KR)

\* cited by examiner

(73) Assignee: **Samsung Electronics Co., Ltd.**,  
Kyunggi-do (KR)

*Primary Examiner*—Ian Simmons

*Assistant Examiner*—W. Laymon

(\*\*) Term: **14 Years**

(74) *Attorney, Agent, or Firm*—Flynn, Thiel, Boutell &  
Tanis, P.C.

(21) Appl. No.: **29/243,944**

(57) **CLAIM**

(22) Filed: **Dec. 2, 2005**

The ornamental design for a projector, as shown and  
described.

(51) **LOC (8) Cl.** ..... **16-02**

(52) **U.S. Cl.** ..... **D16/230; D16/221; D16/225**

(58) **Field of Classification Search** ..... D16/205,  
D16/208, 213, 221, 225, 230, 231, 234; D21/514;  
349/5, 7, 8, 9, 58; 352/34, 242; 353/115,  
353/119, 122

See application file for complete search history.

**DESCRIPTION**

FIG. 1 is a top front perspective view of a projector showing  
my new design;

FIG. 2 is a front elevational view thereof;

FIG. 3 is a rear elevational view thereof;

FIG. 4 is a left side elevational view thereof;

FIG. 5 is a right side elevational view thereof;

FIG. 6 is a top plan view thereof; and,

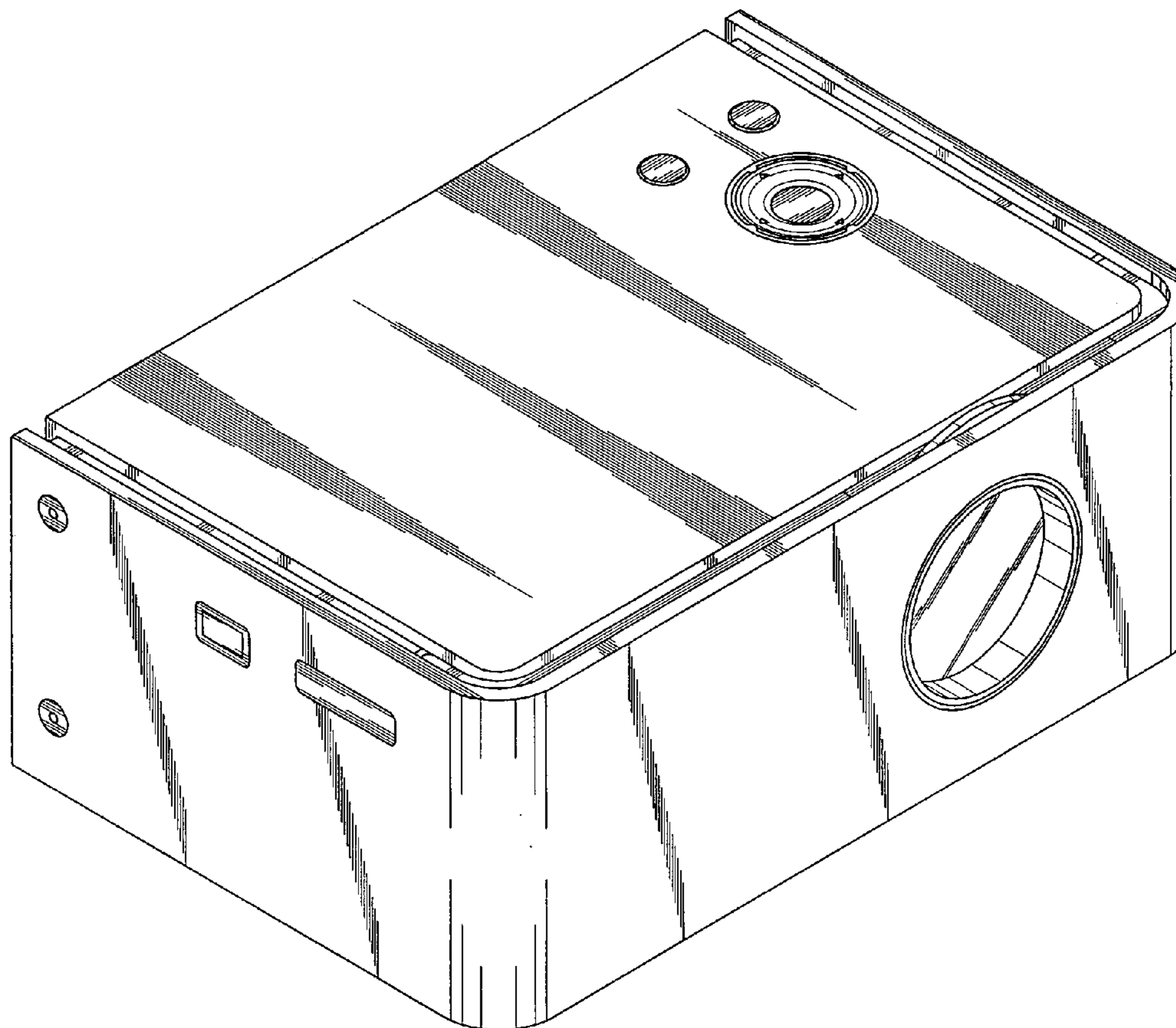
FIG. 7 is a bottom plan view.

(56) **References Cited**

**U.S. PATENT DOCUMENTS**

D371,379 S \* 7/1996 Goshima ..... D16/213  
D439,923 S \* 4/2001 Kawamoto ..... D16/231  
D480,408 S \* 10/2003 Kawashima ..... D16/230  
D491,973 S \* 6/2004 Morishita et al. .... D16/230  
D492,714 S \* 7/2004 Morishita et al. .... D16/231

**1 Claim, 4 Drawing Sheets**



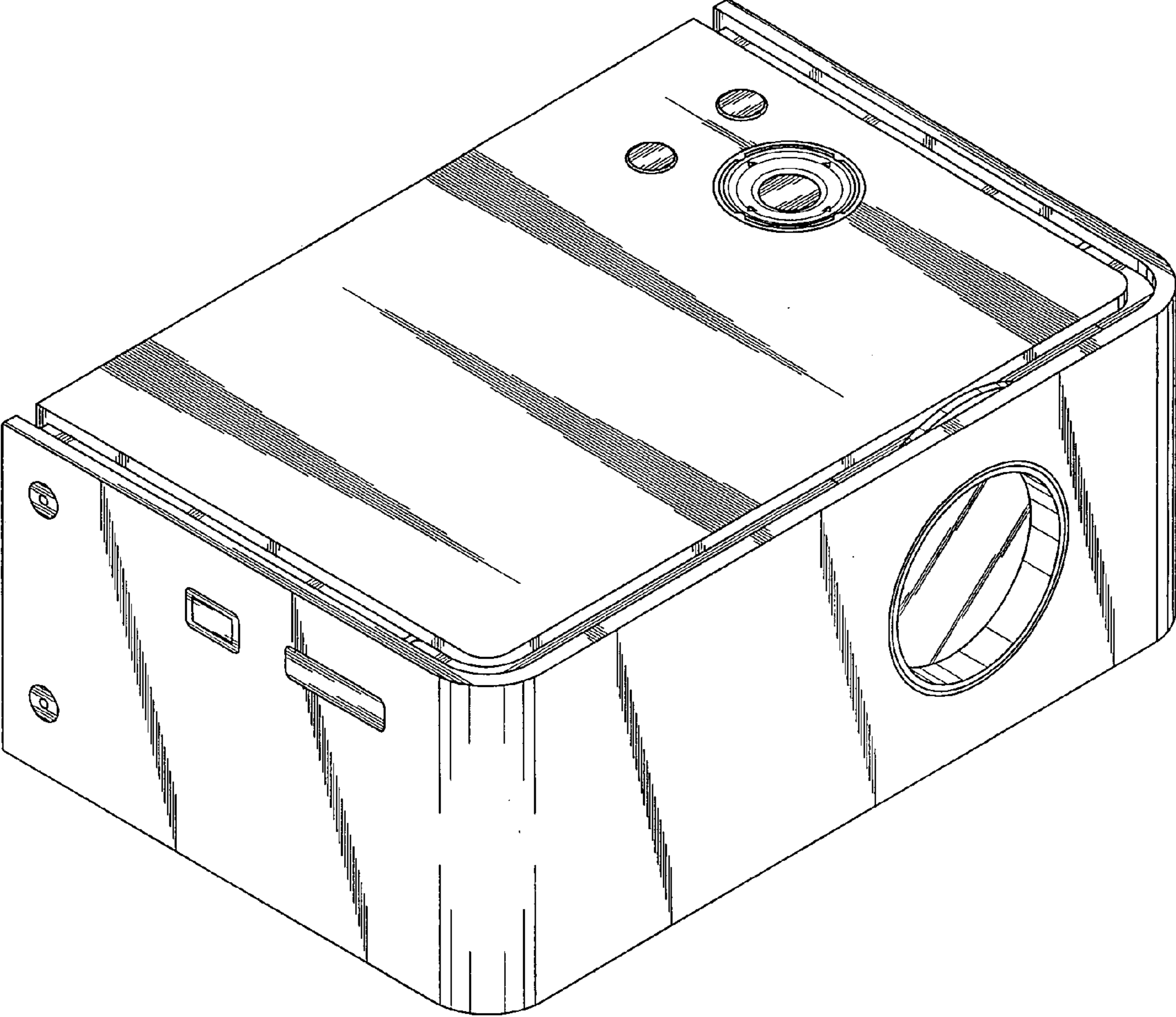


FIG. 1

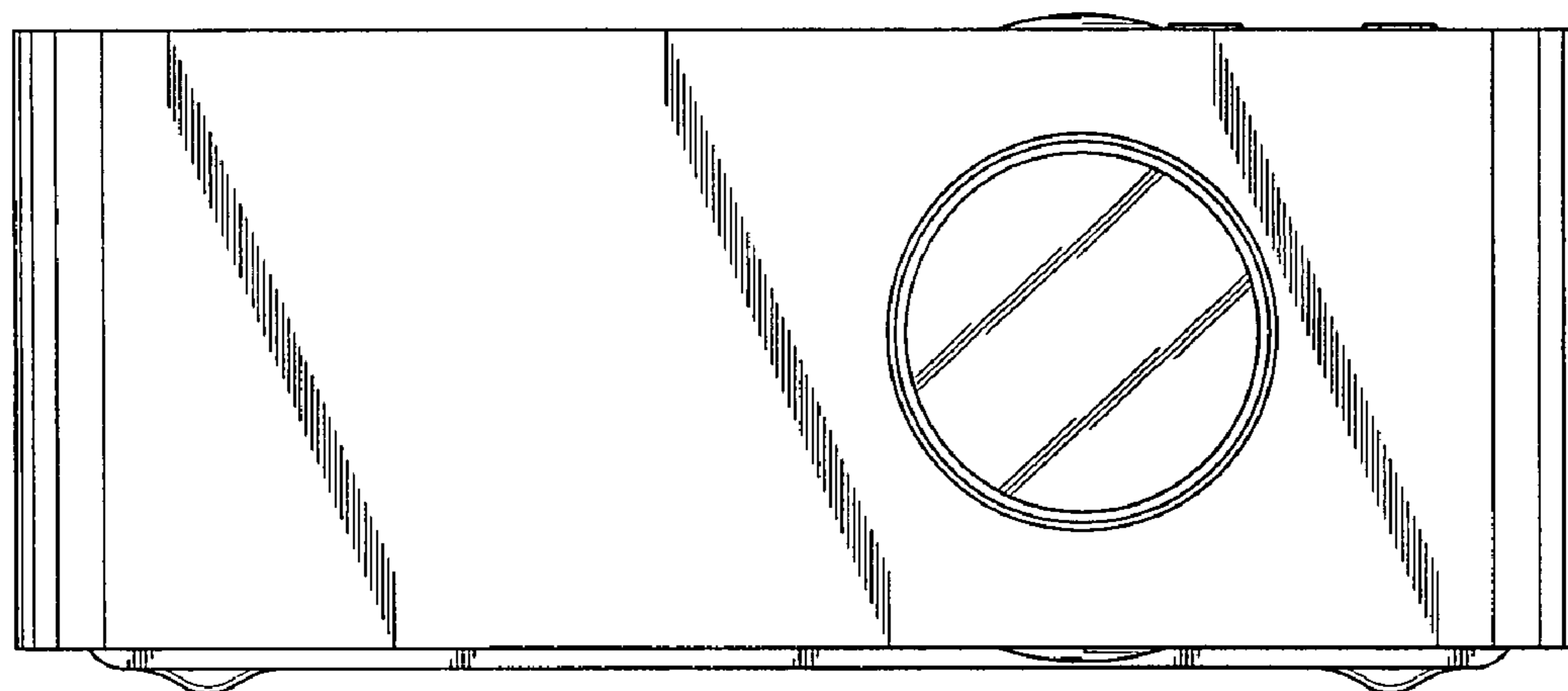


FIG. 2

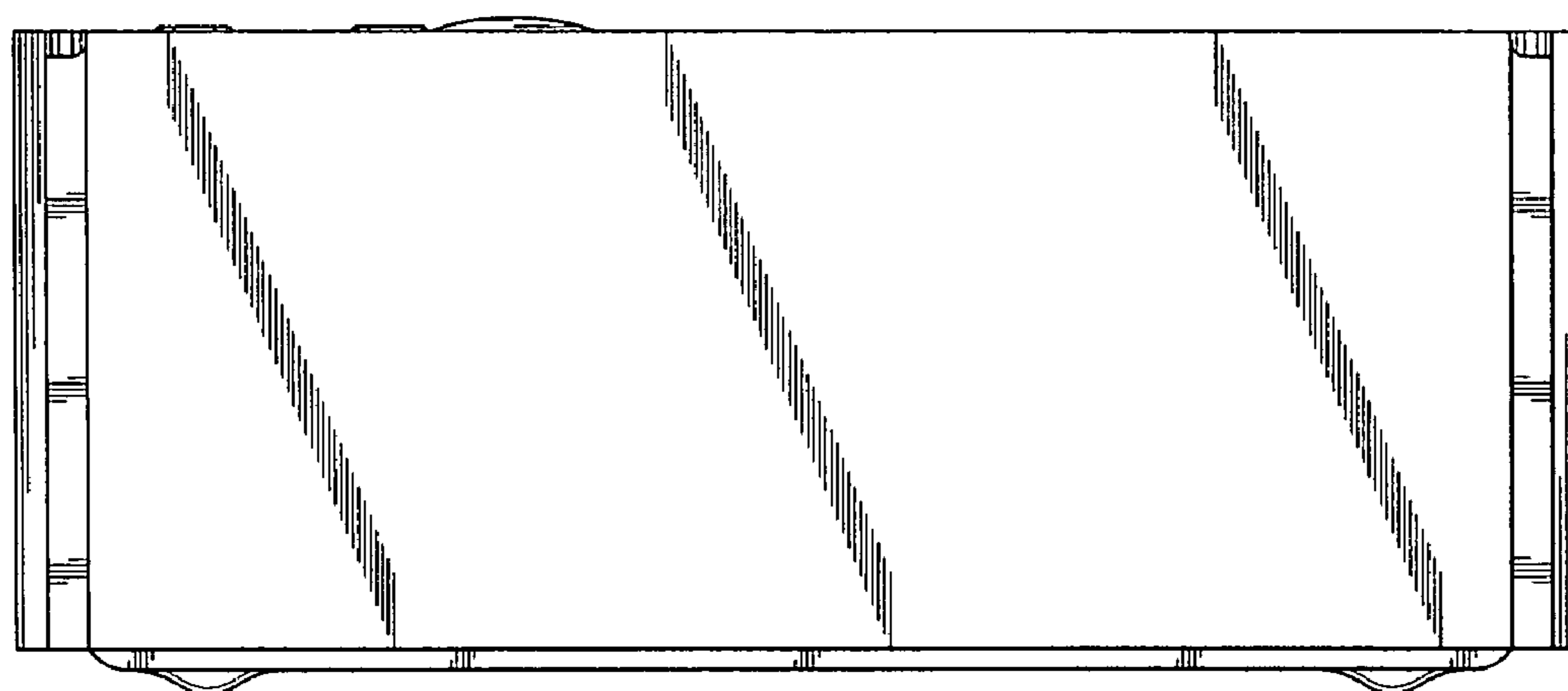


FIG. 3

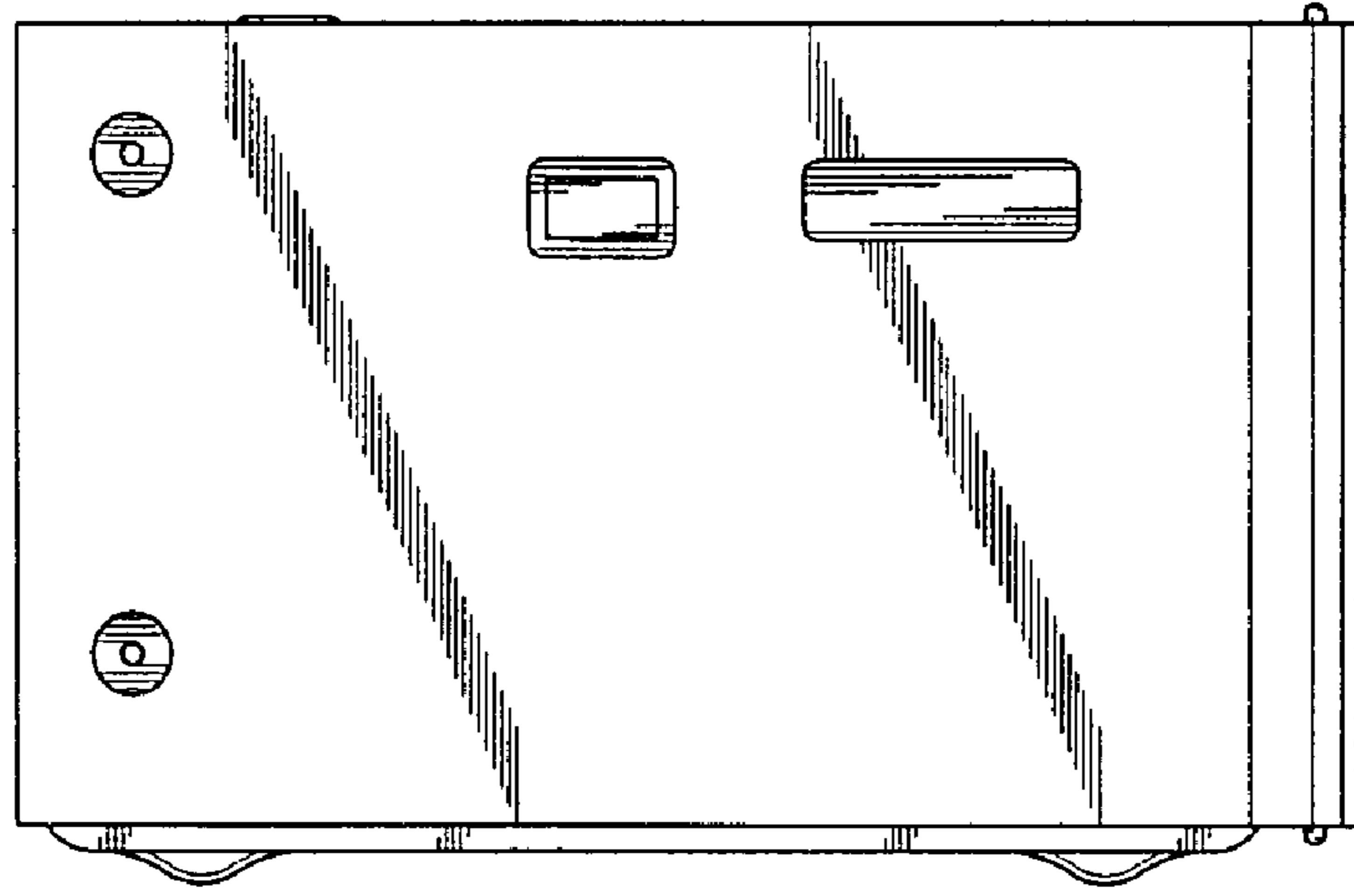


FIG. 4

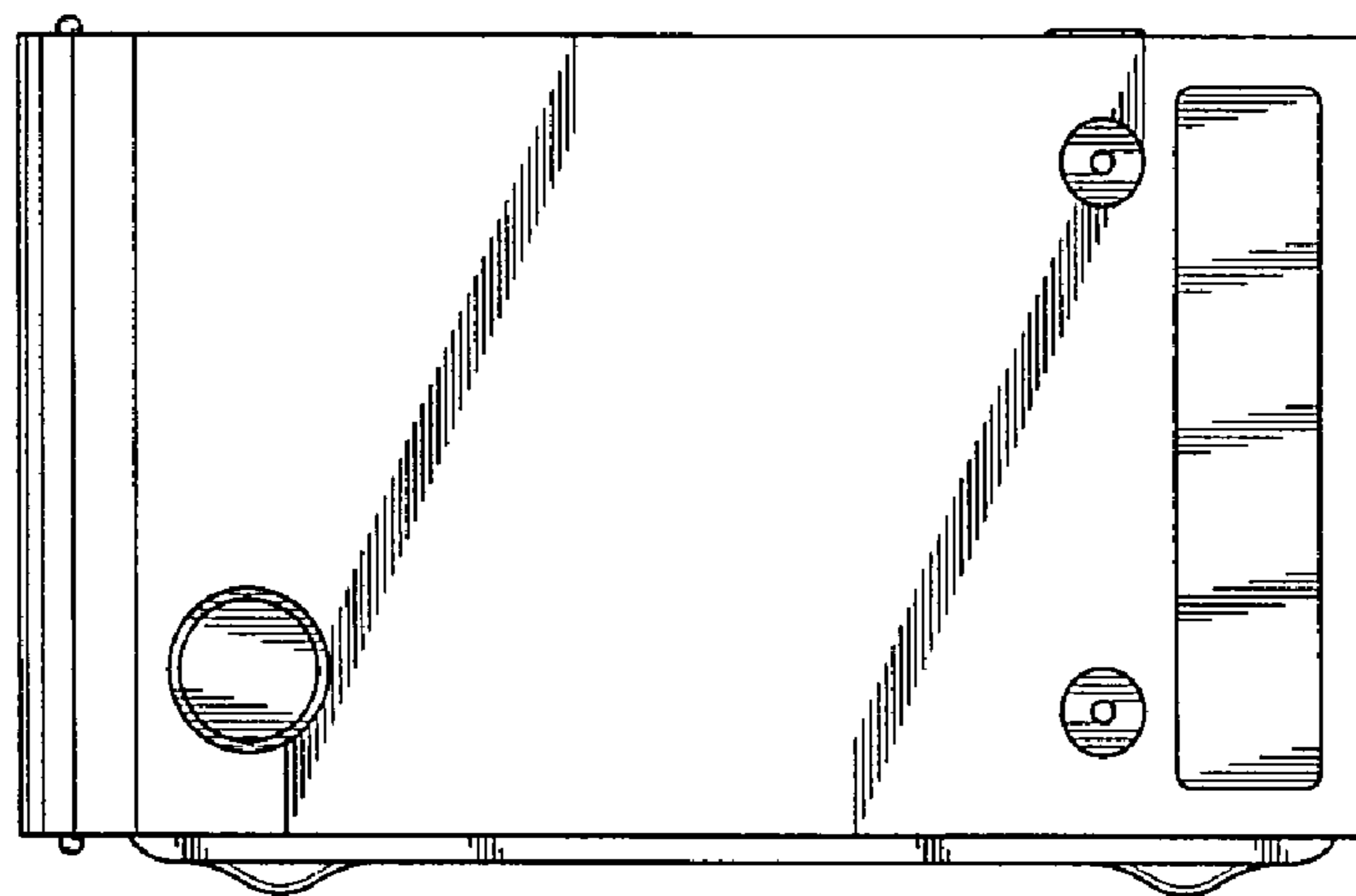


FIG. 5

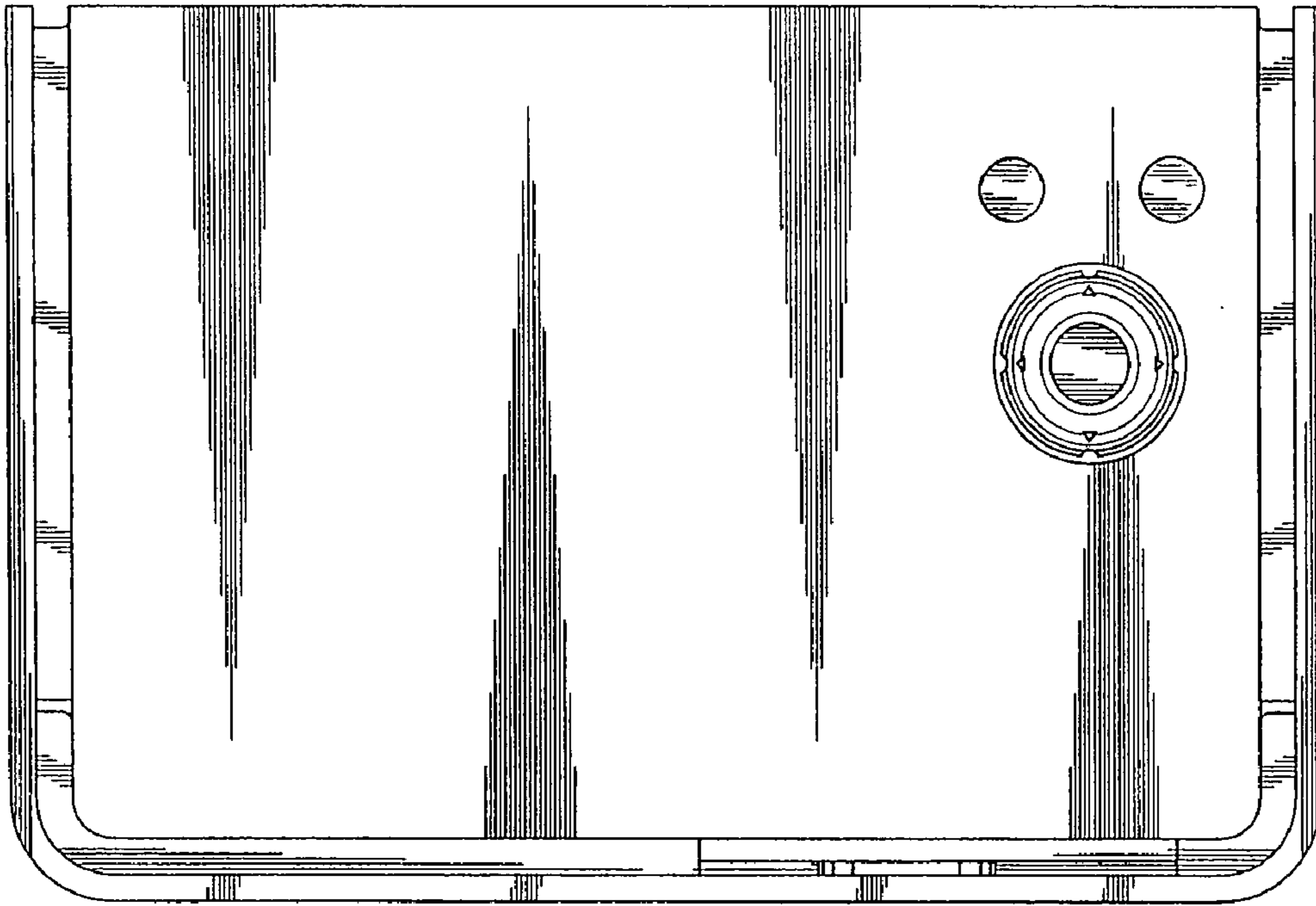


FIG. 6

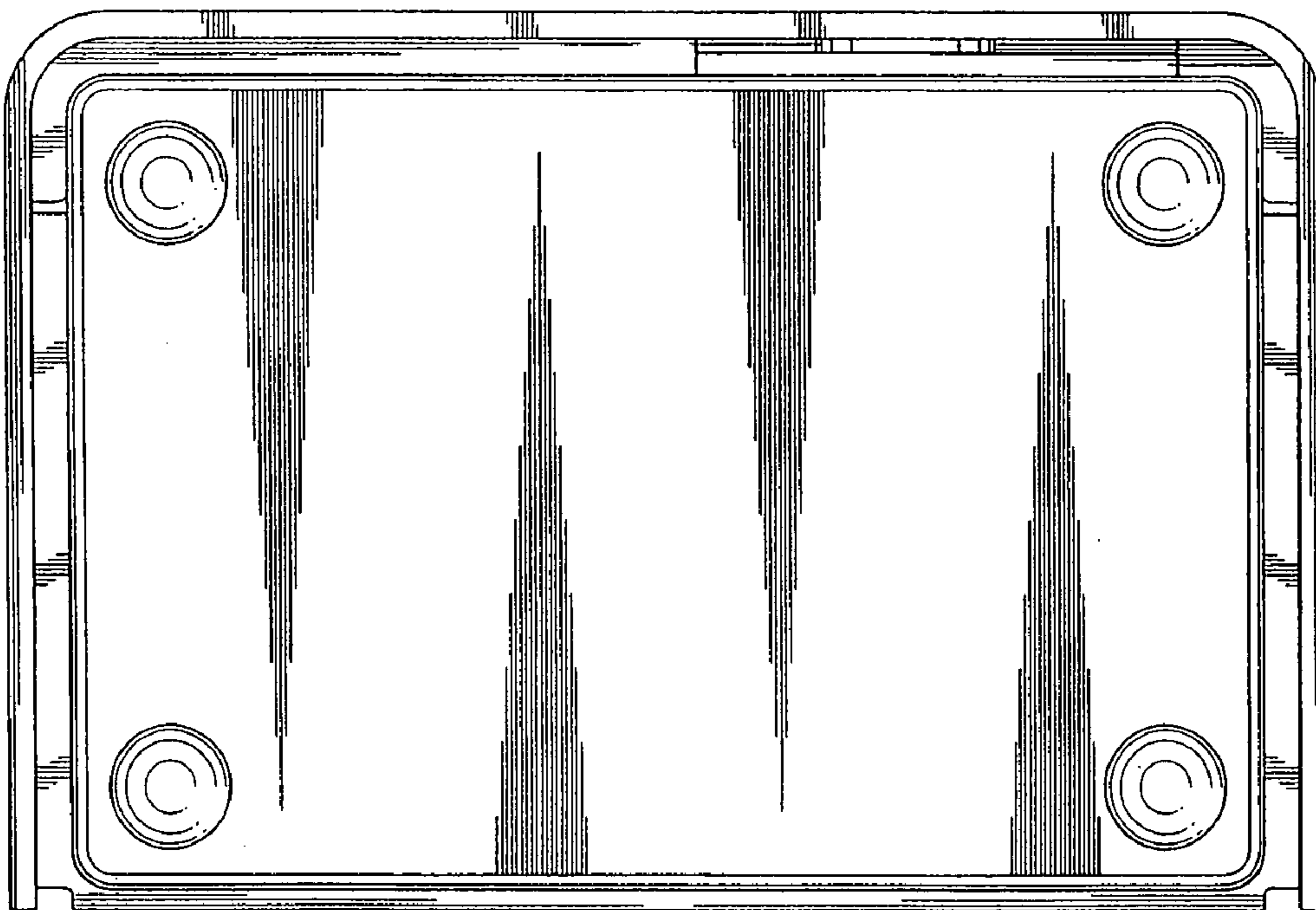


FIG. 7